



US00D874987S

(12) **United States Design Patent** (10) **Patent No.:** **US D874,987 S**
Baker et al. (45) **Date of Patent:** **** Feb. 11, 2020**

(54) **BABY STROLLER** D519,419 S * 4/2006 Cheng D12/129
D519,420 S * 4/2006 Cheng D12/129
(71) Applicant: **ICANDY WORLD LIMITED,** D532,721 S * 11/2006 Wu D12/129
Biggleswade (GB) 7,413,213 B2 * 8/2008 Pike B62B 7/08
280/47.38
(72) Inventors: **Joshua Lawrence Baker,** Sandy (GB); D581,841 S * 12/2008 Toussaint D12/129
Paul Andrew Walker, Croxley Green D616,339 S * 5/2010 Kho D12/129
(GB); **Stuart Thomas Cole,** 7,753,398 B2 * 7/2010 Yang B62B 9/102
Pontprennau (GB); **Warren Anthony** 280/642
Appel, Biggleswade (GB) D620,846 S * 8/2010 Grim D12/129
D651,139 S * 12/2011 Angelfoss D12/129
(Continued)

(73) Assignee: **ICANDY WORLD LIMITED,** Darlington Ly
Biggleswade (GB) (74) *Attorney, Agent, or Firm* — SoCal IP Law Group
LLP; Mark A. Goldstein

(**) Term: **15 Years**

(21) Appl. No.: **35/506,284**

(22) Filed: **Jul. 3, 2018**

(80) **Hague Agreement Data**

Int. Filing Date: **Jul. 3, 2018**
Int. Reg. No.: **DM/102010**
Int. Reg. Date: **Jul. 3, 2018**
Int. Reg. Pub. Date: **Jan. 4, 2019**

(51) **LOC (12) Cl.** **12-12**

(52) **U.S. Cl.**
USPC **D12/129**

(58) **Field of Classification Search**
USPC D12/128–130
CPC B62B 7/00; B62B 7/04; B62B 7/06; B62B
7/062; B62B 9/00; B62B 9/02; B62B
9/04; B62B 9/08; B62B 9/10; B62B 9/12;
B62B 9/14; B62B 9/16; B62B 9/18;
B62B 9/20; B62B 9/22; B62B 9/24;
B62B 9/26

See application file for complete search history.

(56) **References Cited**

U.S. PATENT DOCUMENTS

6,513,827 B1 * 2/2003 Barenbrug B62B 7/145
280/648
7,017,922 B2 * 3/2006 Hartenstine B62B 7/10
224/409

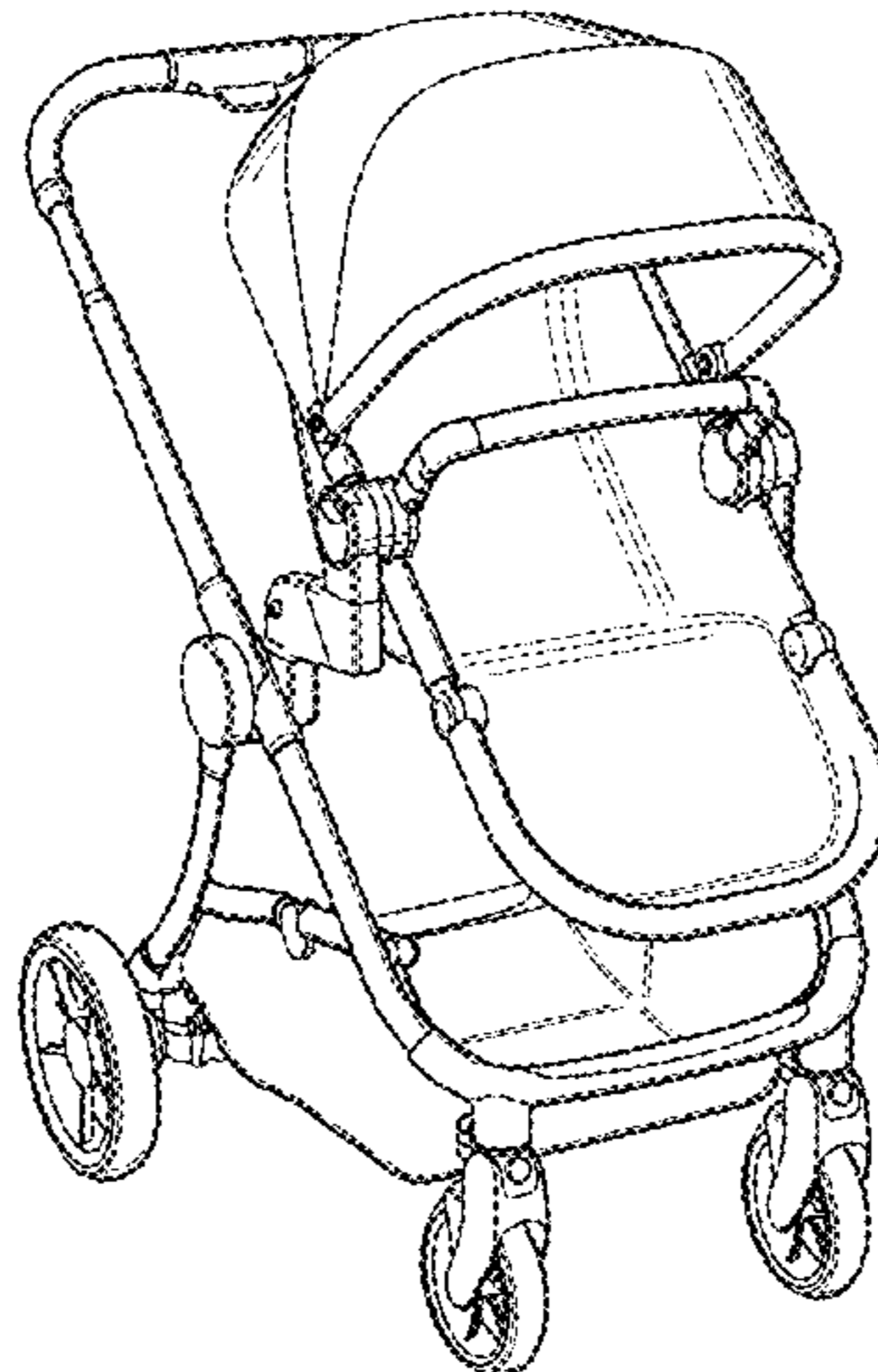
(57) **CLAIM**

The ornamental design for a baby stroller, as shown and described.

DESCRIPTION

1.-2. Baby stroller
1.1 is a front and right side perspective view of a baby stroller showing our new design in accordance to a first embodiment;
1.2 is a front elevation view thereof;
1.3 is a rear elevation view thereof;
1.4 is a left side elevation view thereof;
1.5 is a right side elevation view thereof;
1.6 is a top plan view thereof; and
1.7 is a bottom plan view thereof.
2.1 is a front and right side perspective view of a baby stroller showing our new design in accordance to a second embodiment;
2.2 is a front elevation view thereof;
2.3 is a rear elevation view thereof;
2.4 is a left side elevation view thereof;
2.5 is a right side elevation view thereof;
2.6 is a top plan view thereof; and
2.7 is a bottom plan view thereof.

1 Claim, 14 Drawing Sheets



(56)

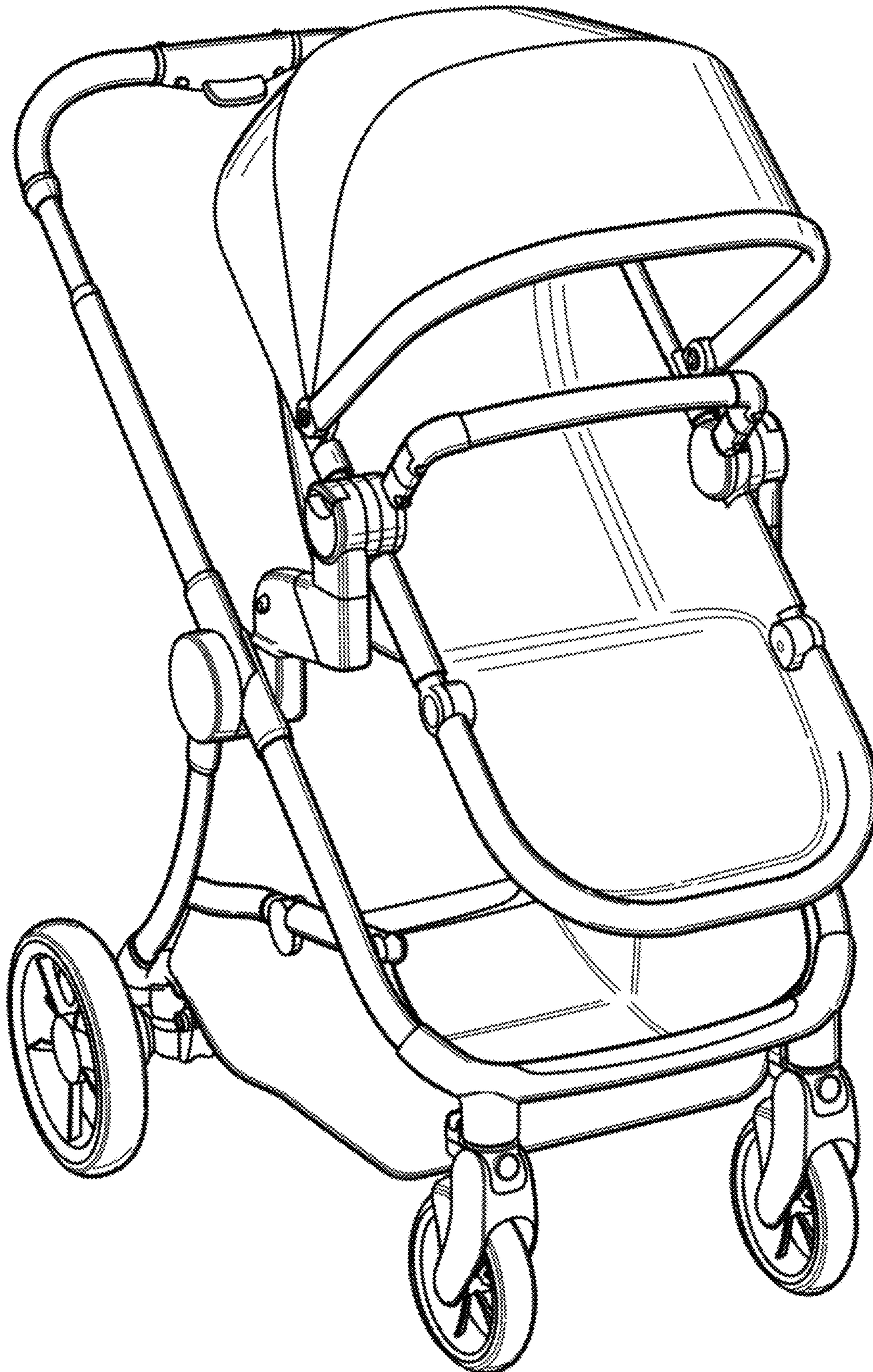
References Cited

U.S. PATENT DOCUMENTS

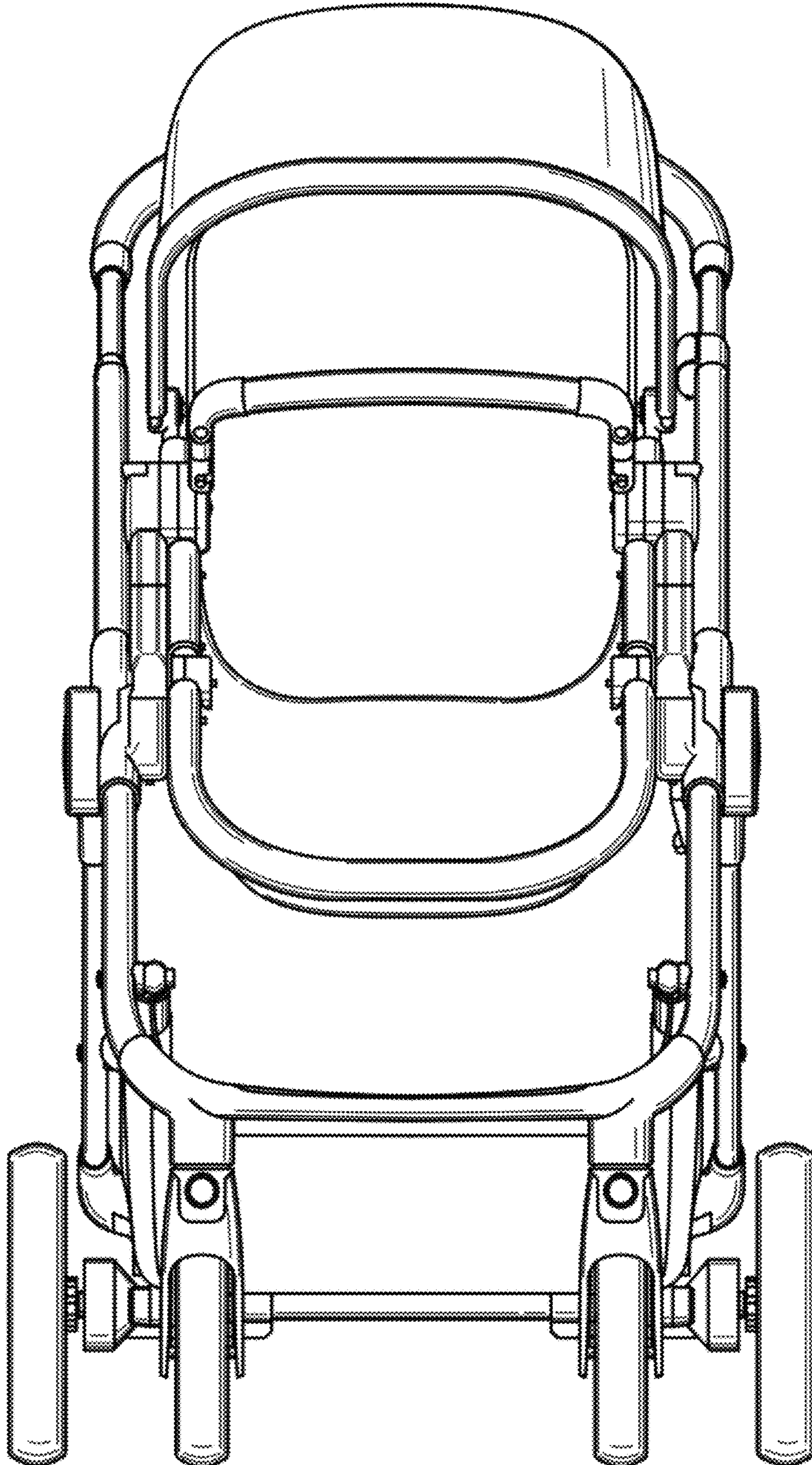
D704,599	S *	5/2014	Canedos	D12/129
D721,015	S *	1/2015	Bassan	D12/129
D742,792	S *	11/2015	Goldberg	D12/129
D755,685	S *	5/2016	Angelfoss	D12/129
D785,510	S *	5/2017	Marcuello	D12/129
9,725,106	B2 *	8/2017	Pos	B62B 7/06
2001/0040357	A1 *	11/2001	Barrett	B62B 7/08 280/648

* cited by examiner

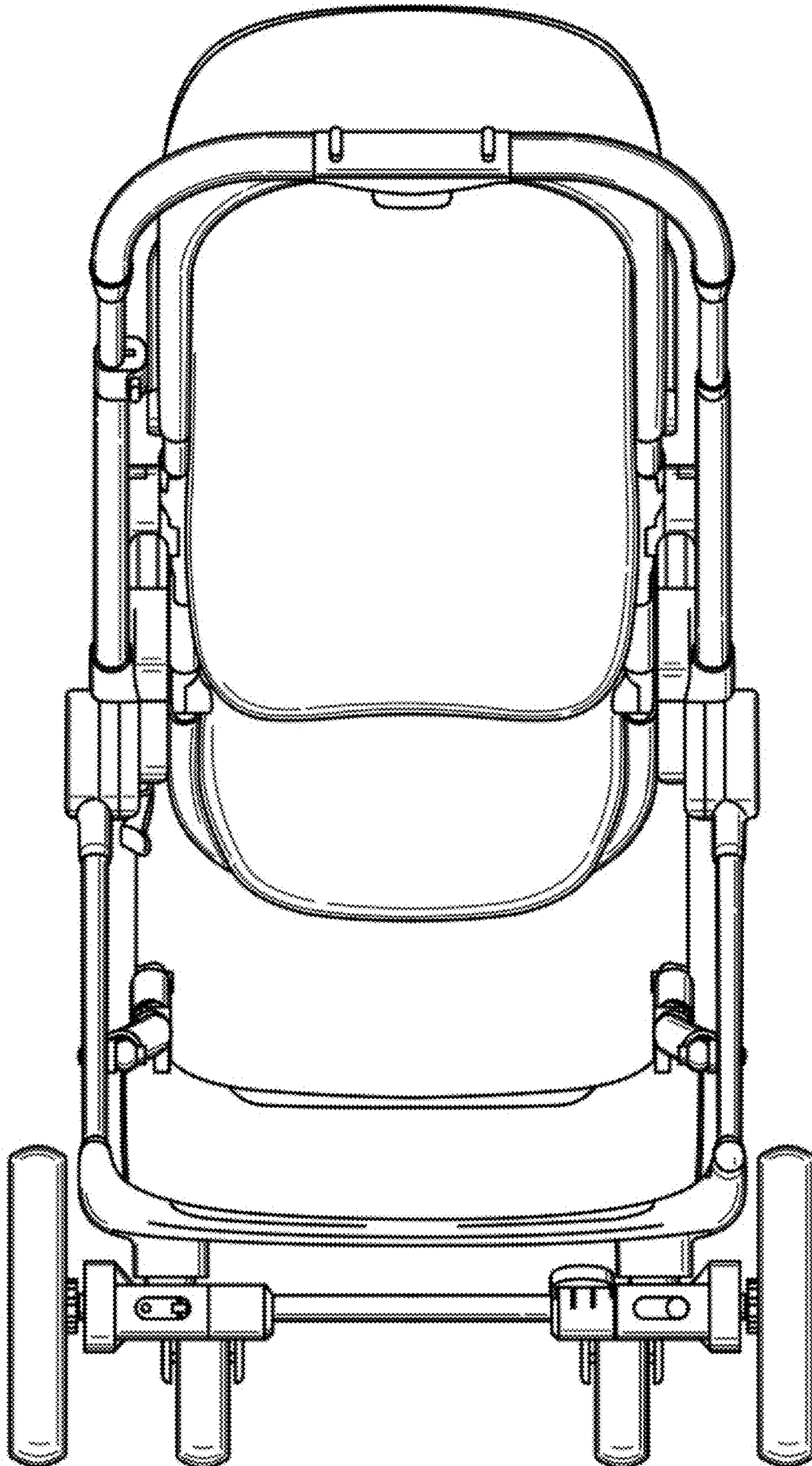
1.1



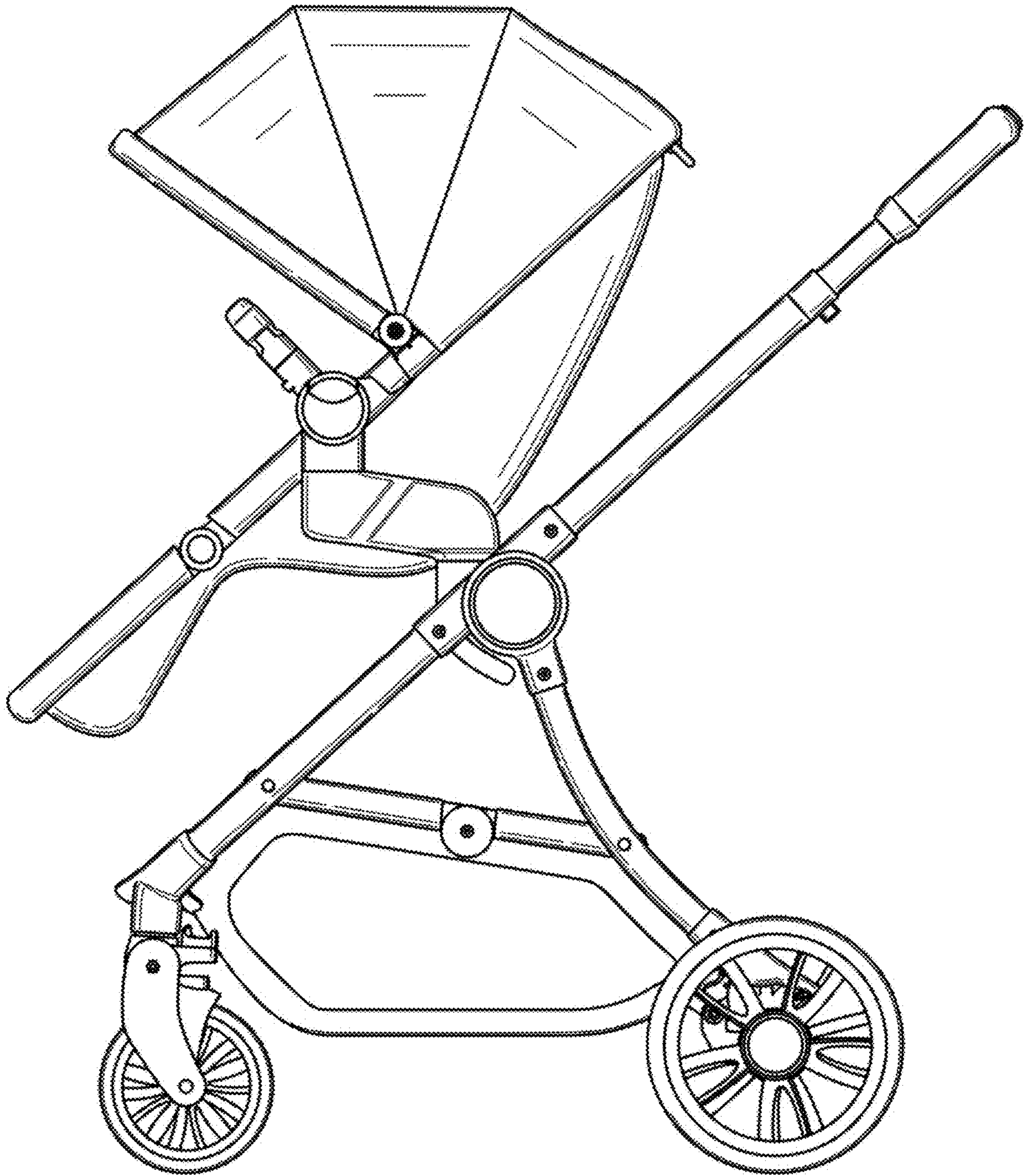
1.2



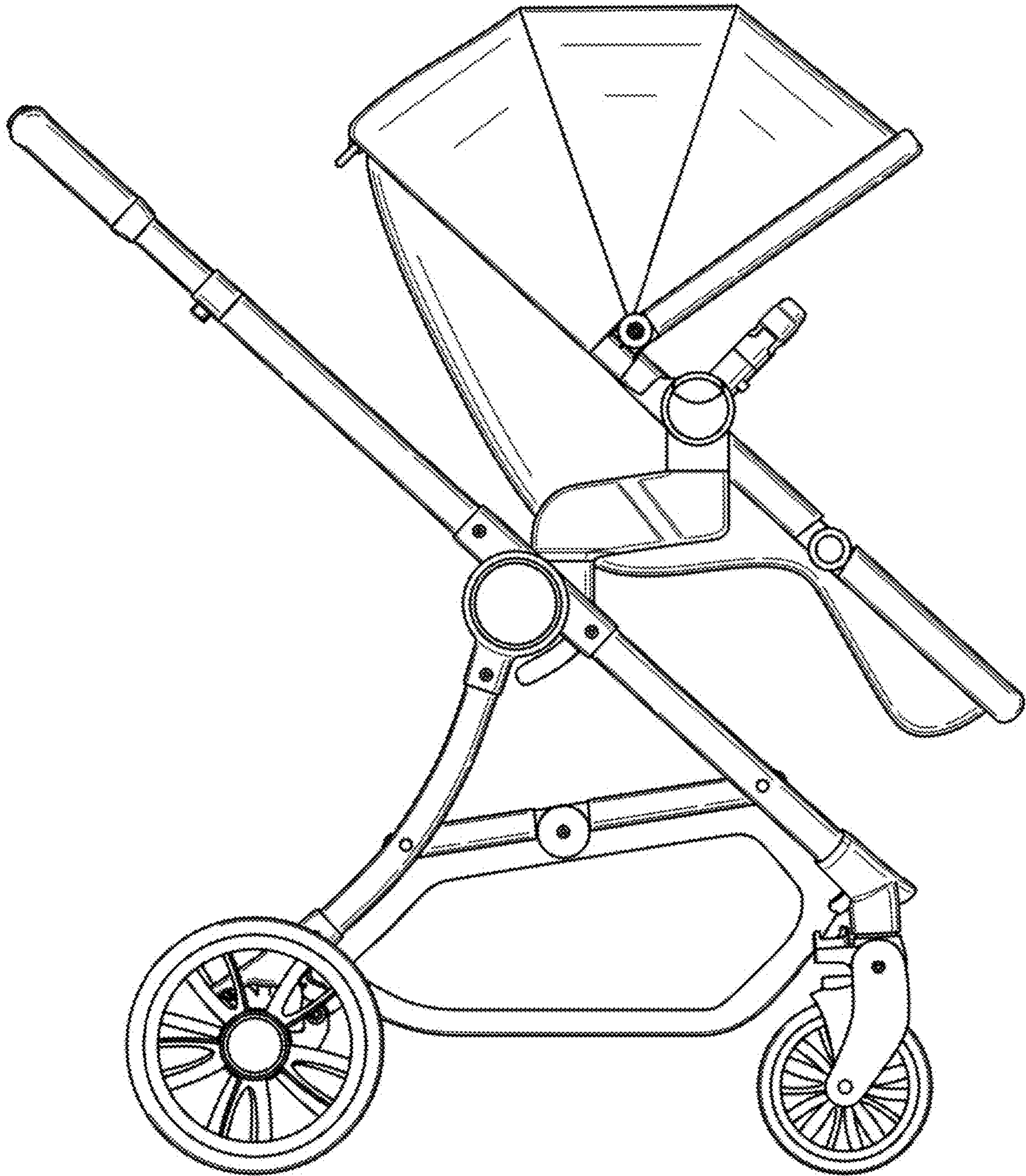
1.3



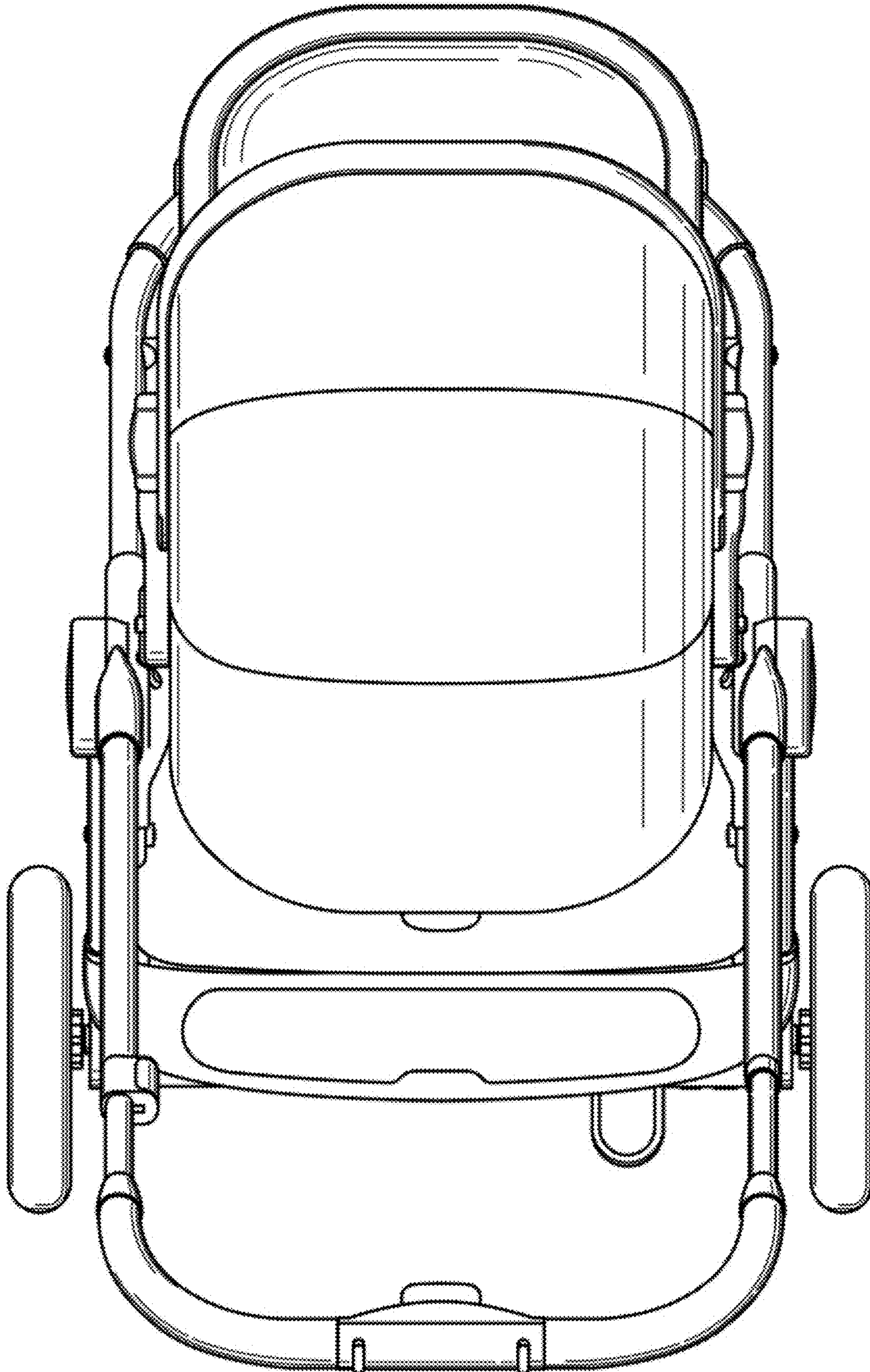
1.4



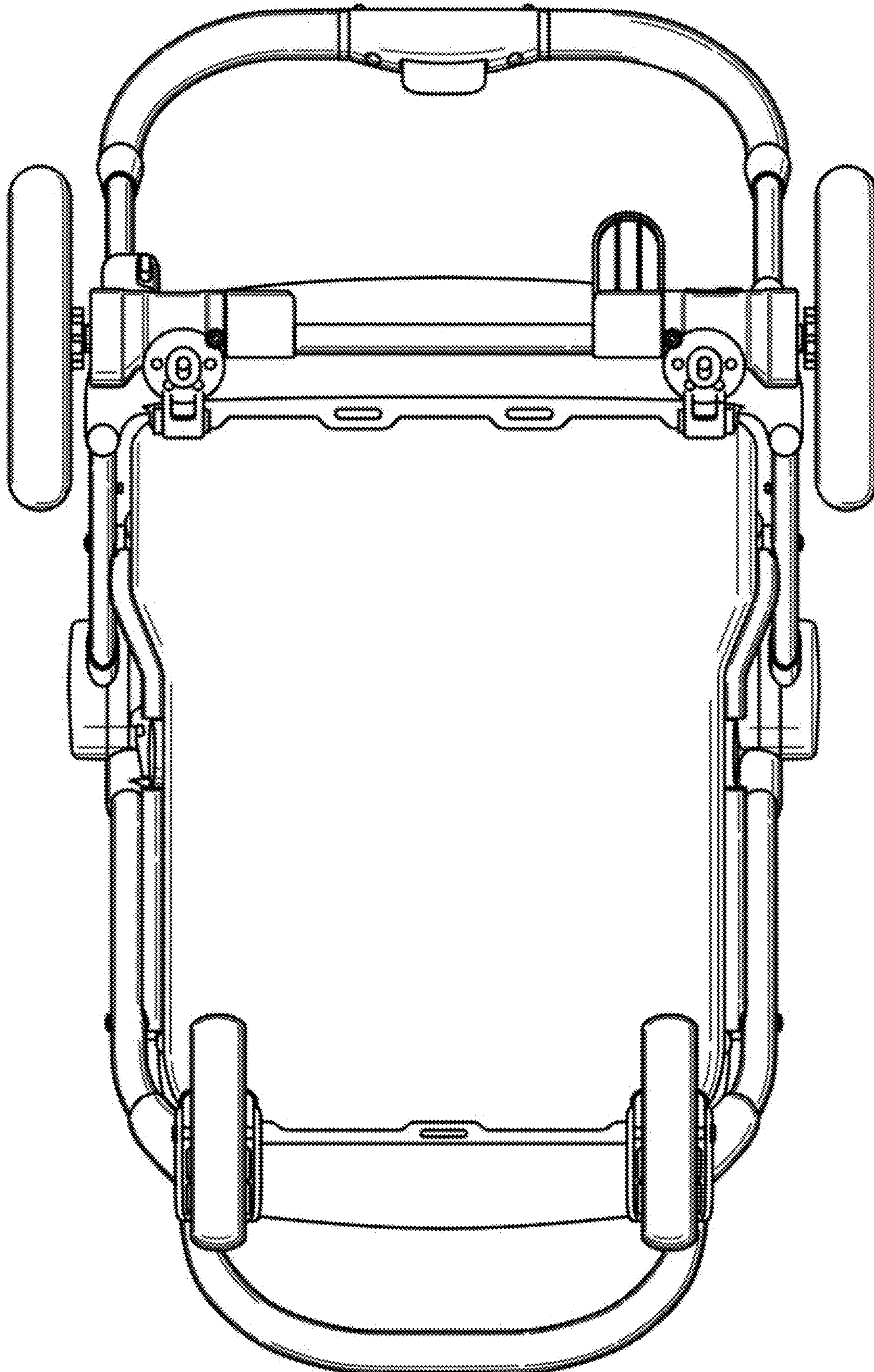
1.5



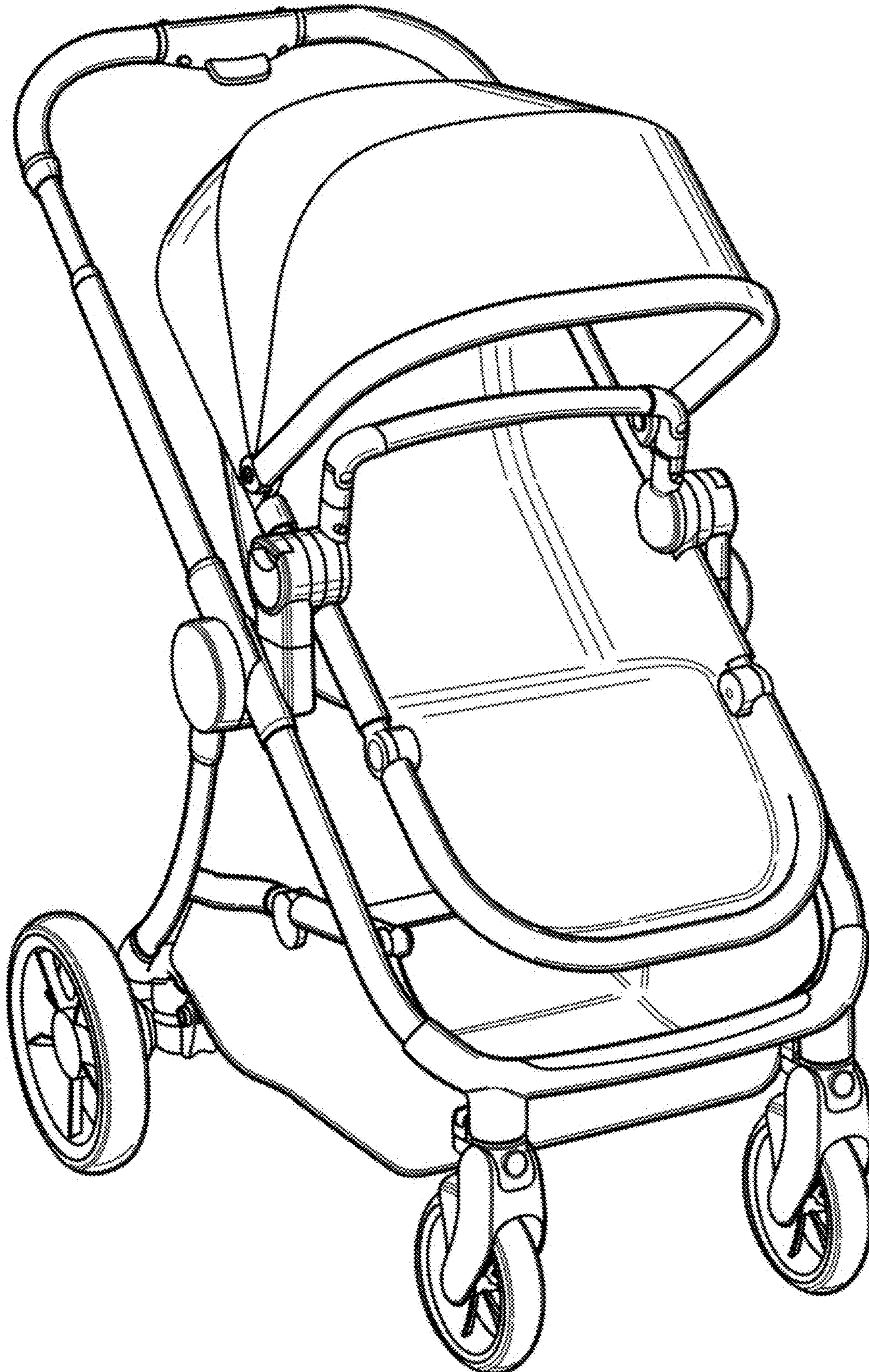
1.6



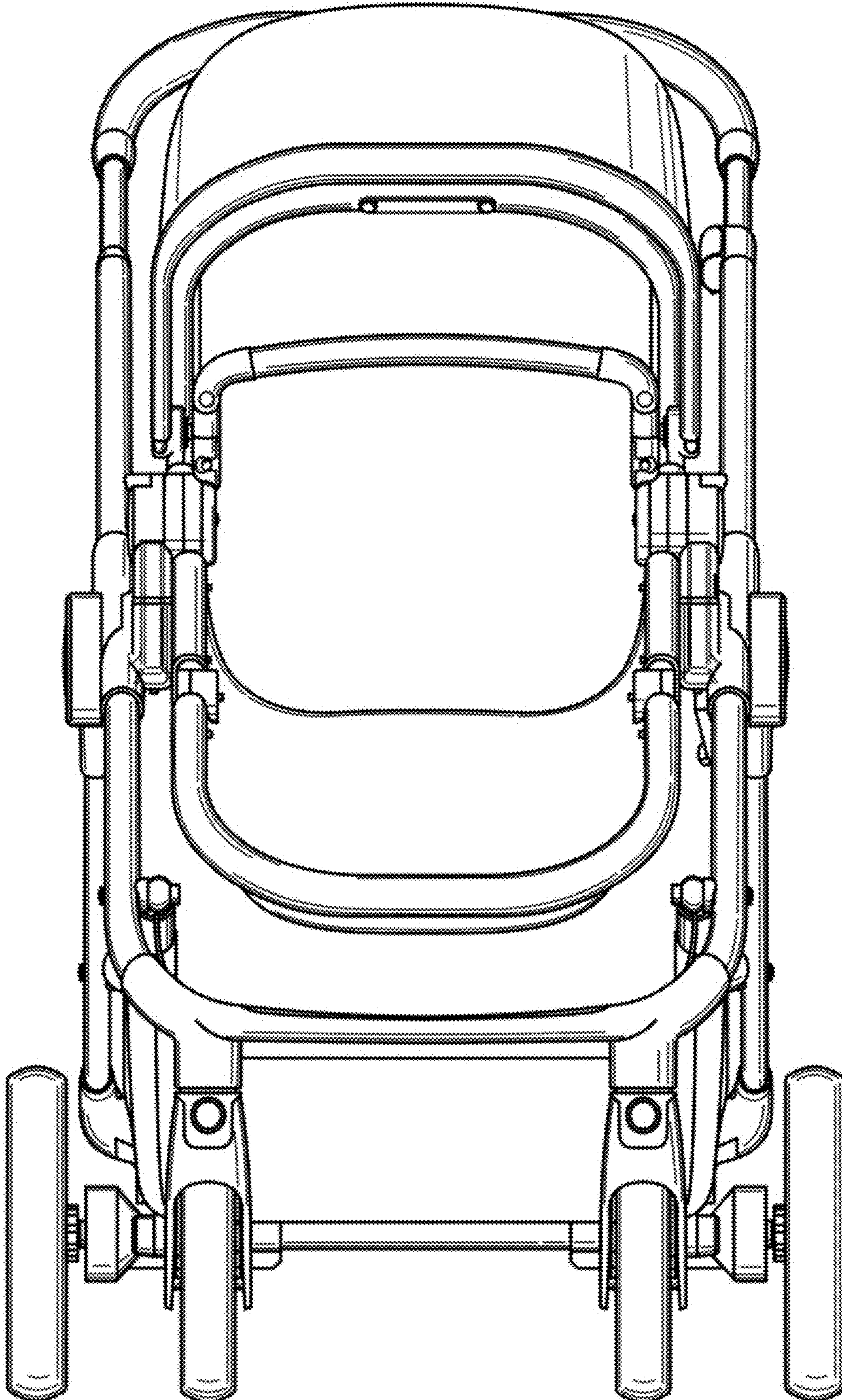
1.7



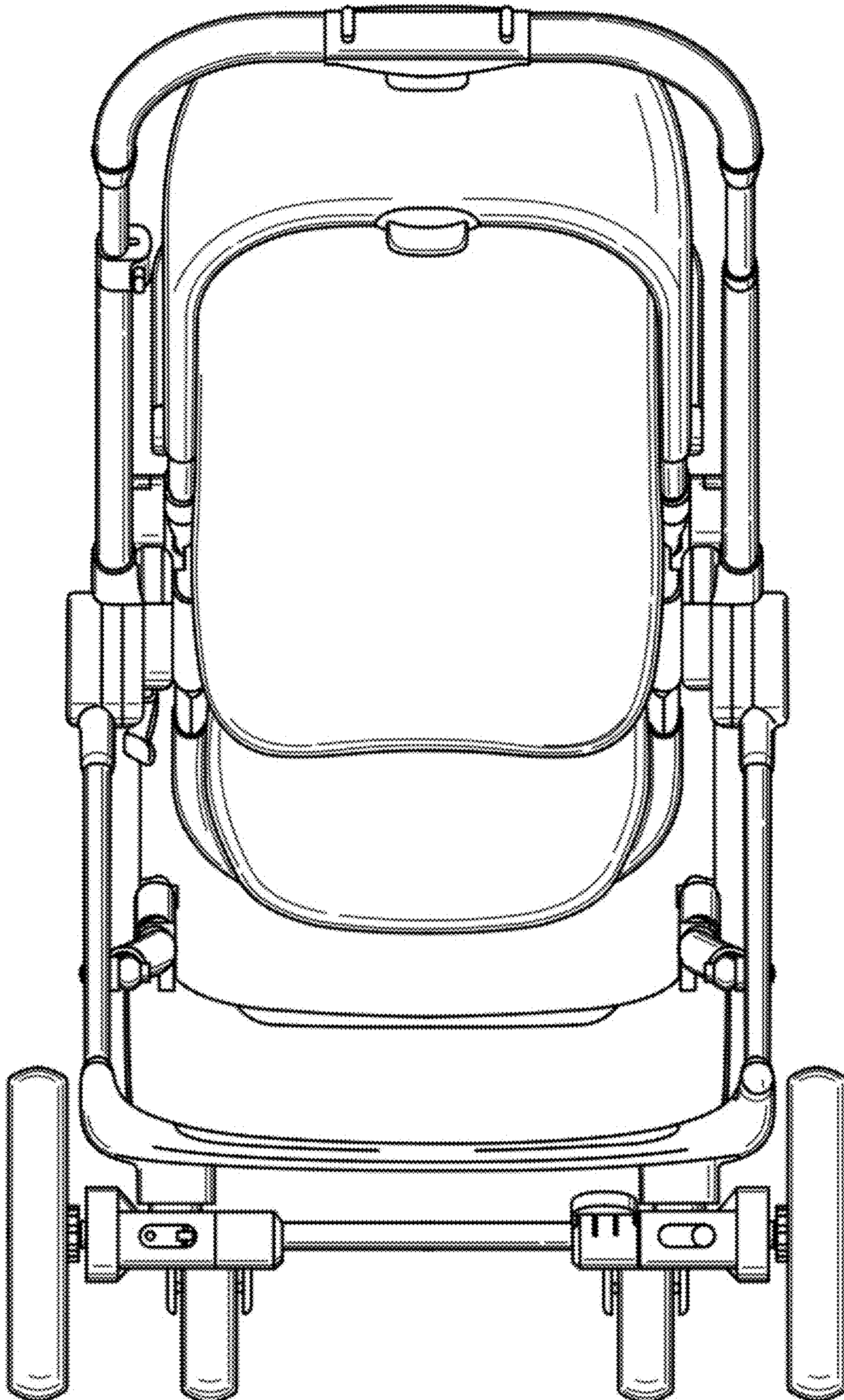
2.1



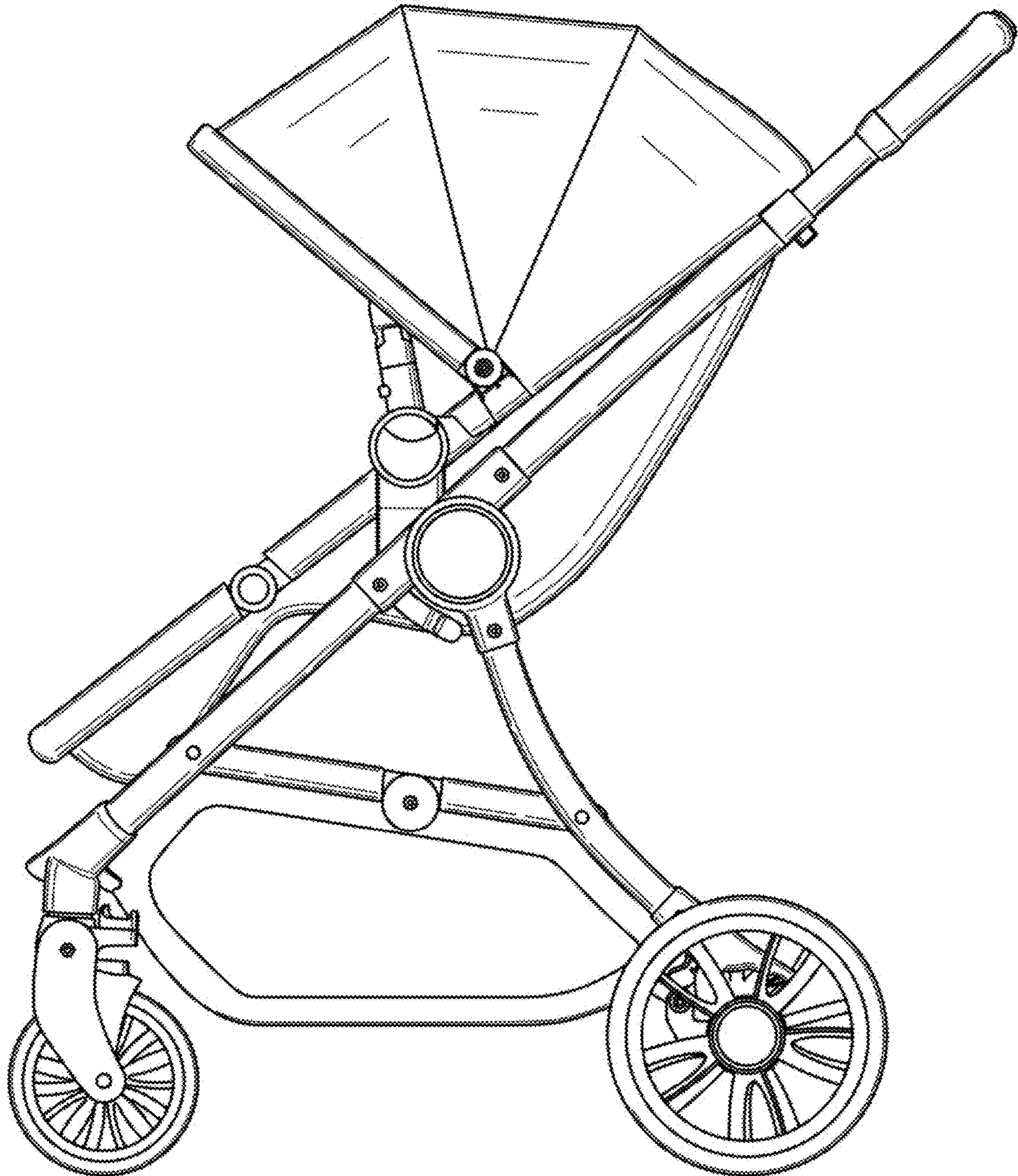
2.2



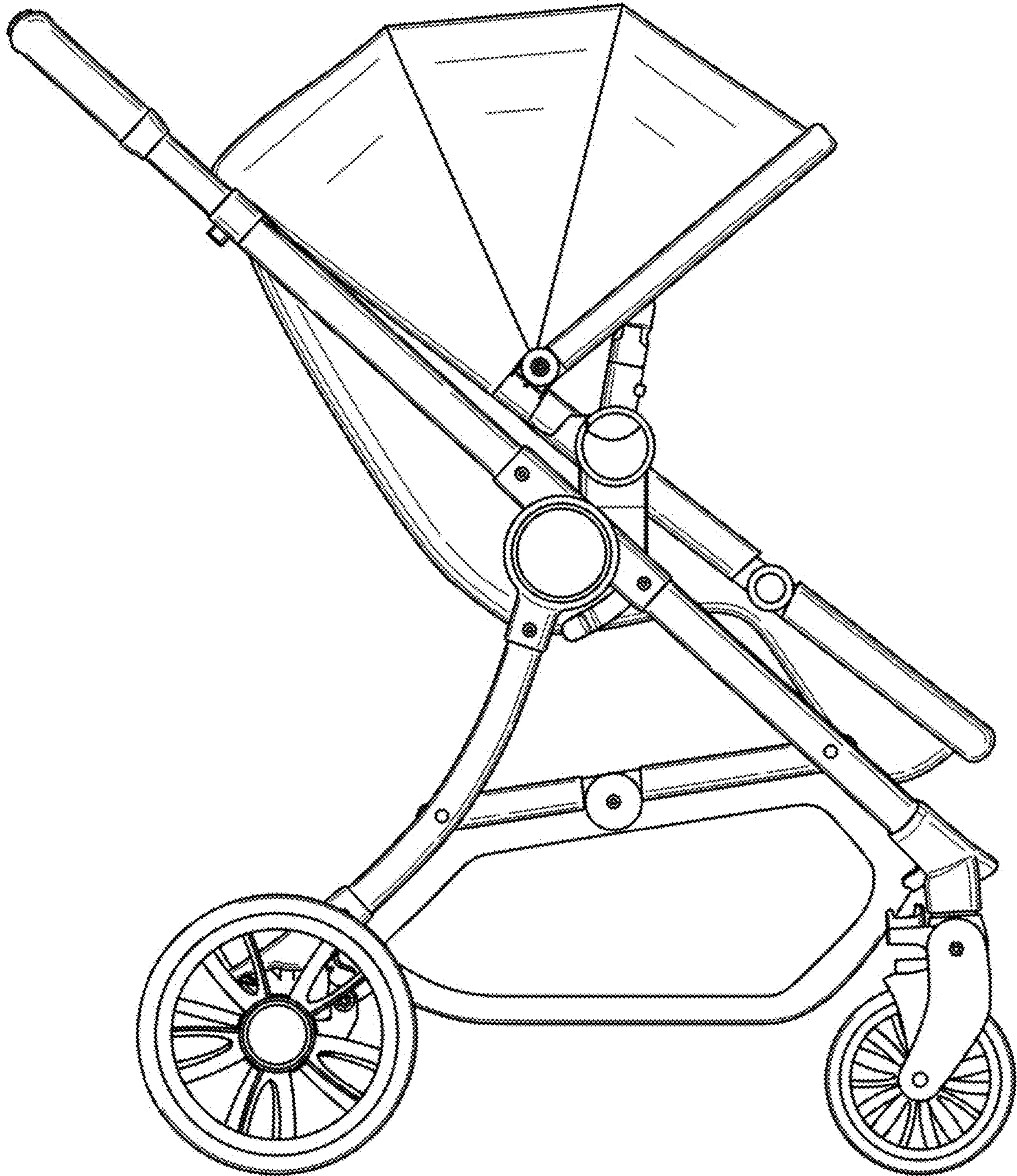
2.3



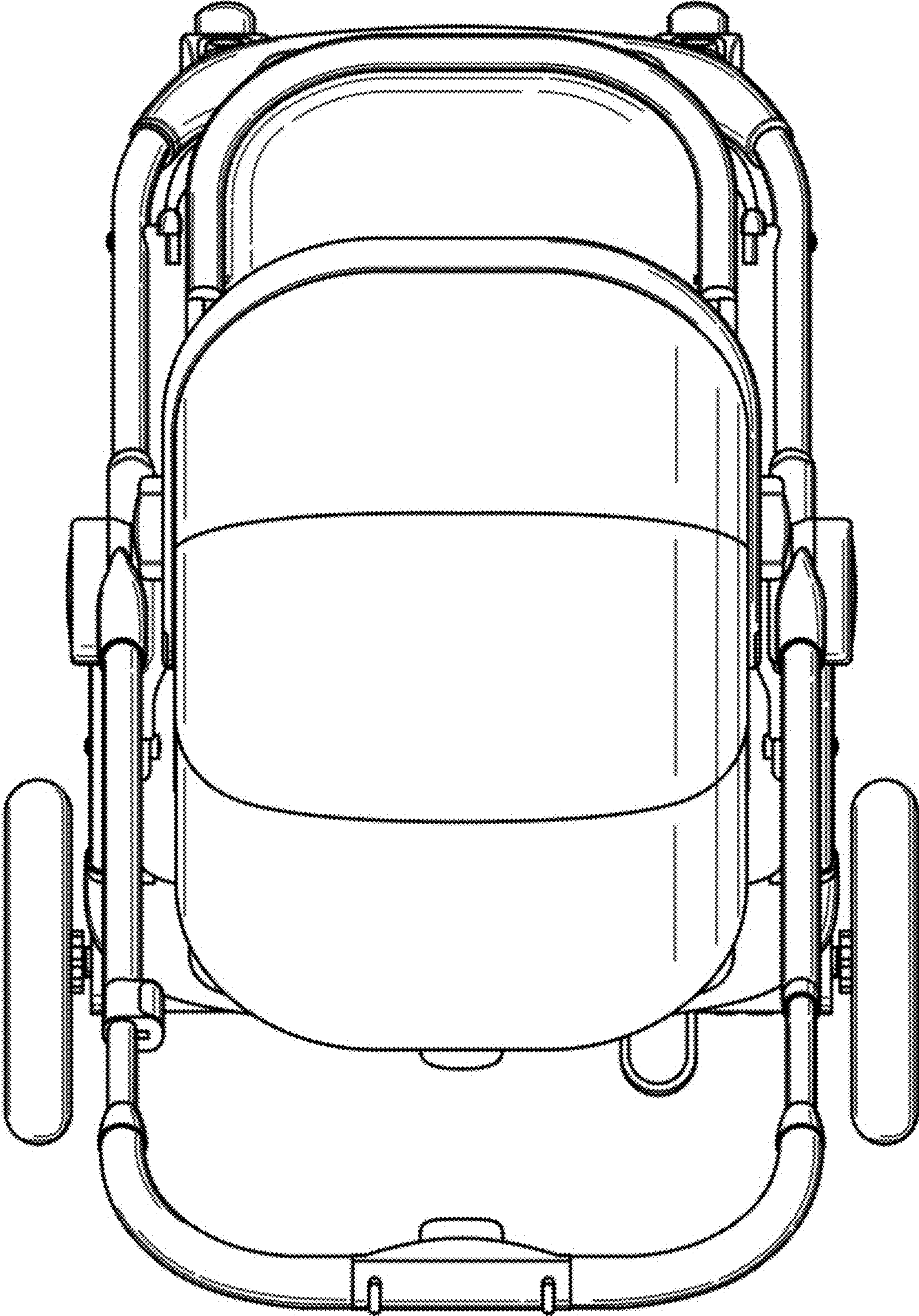
2.4



2.5



2.6



2.7

