



US00D874986S

(12) **United States Design Patent**
Chen

(10) **Patent No.:** **US D874,986 S**

(45) **Date of Patent:** **** Feb. 11, 2020**

(54) **DRIFTING KART**

(71) Applicant: **RAZOR USA LLC**, Cerritos, CA (US)

(72) Inventor: **Robert (Wei-Pin) Chen**, San Marino, CA (US)

(73) Assignee: **Razor USA LLC**, Cerritos, CA (US)

(**) Term: **15 Years**

(21) Appl. No.: **29/653,253**

(22) Filed: **Jun. 13, 2018**

Related U.S. Application Data

(63) Continuation of application No. 29/587,645, filed on Dec. 14, 2016, now Pat. No. Des. 820,733, which is
(Continued)

(51) **LOC (12) Cl.** **12-11**

(52) **U.S. Cl.**
USPC **D12/112; D21/426**

(58) **Field of Classification Search**
USPC D21/412, 414, 431-435; D12/1, 87, 107,
D12/110-114, 129, 130, 133
(Continued)

(56) **References Cited**

U.S. PATENT DOCUMENTS

3,062,559 A 6/1959 Hewitt
D189,614 S 1/1961 Beale
(Continued)

FOREIGN PATENT DOCUMENTS

CN 2936826 8/2007
CN 200977859 11/2007
(Continued)

OTHER PUBLICATIONS

Aamoth, Doug, "Razor Builds the Ultimate Drifting Go-Kart: Why Must I Always Be Over the Weight Limit for Everything Good in

This World?," Jul. 11, 2013, retrieved on Aug. 6, 2016, <http://techland.time.com/2013/07/11/razor-builds-the-ultimate-drifting-go-kart-why-must-i-always-be-over-the-weight-limit-for-everything-good-in-this-world/>, in 2 pages.

(Continued)

Primary Examiner — Darlington Ly

(74) *Attorney, Agent, or Firm* — Knobbe Martens Olson & Bear, LLP

(57) **CLAIM**

The ornamental design for a drifting kart, as shown and described.

DESCRIPTION

FIG. 1 is a top, rear, and right side perspective view of a drifting kart showing my new design in accordance to a first embodiment;

FIG. 2 is a top, front, and left side perspective view thereof;

FIG. 3 is a front elevation view thereof;

FIG. 4 is a rear elevation view thereof;

FIG. 5 is a left side elevation view thereof;

FIG. 6 is a right side elevation view thereof; and

FIG. 7 is a top plan view thereof.

FIG. 8 is a top, rear, and right side perspective view of a drifting kart showing my new design in accordance to a second embodiment;

FIG. 9 is a top, front, and left side perspective view thereof;

FIG. 10 is a front elevation view thereof;

FIG. 11 is a rear elevation view thereof;

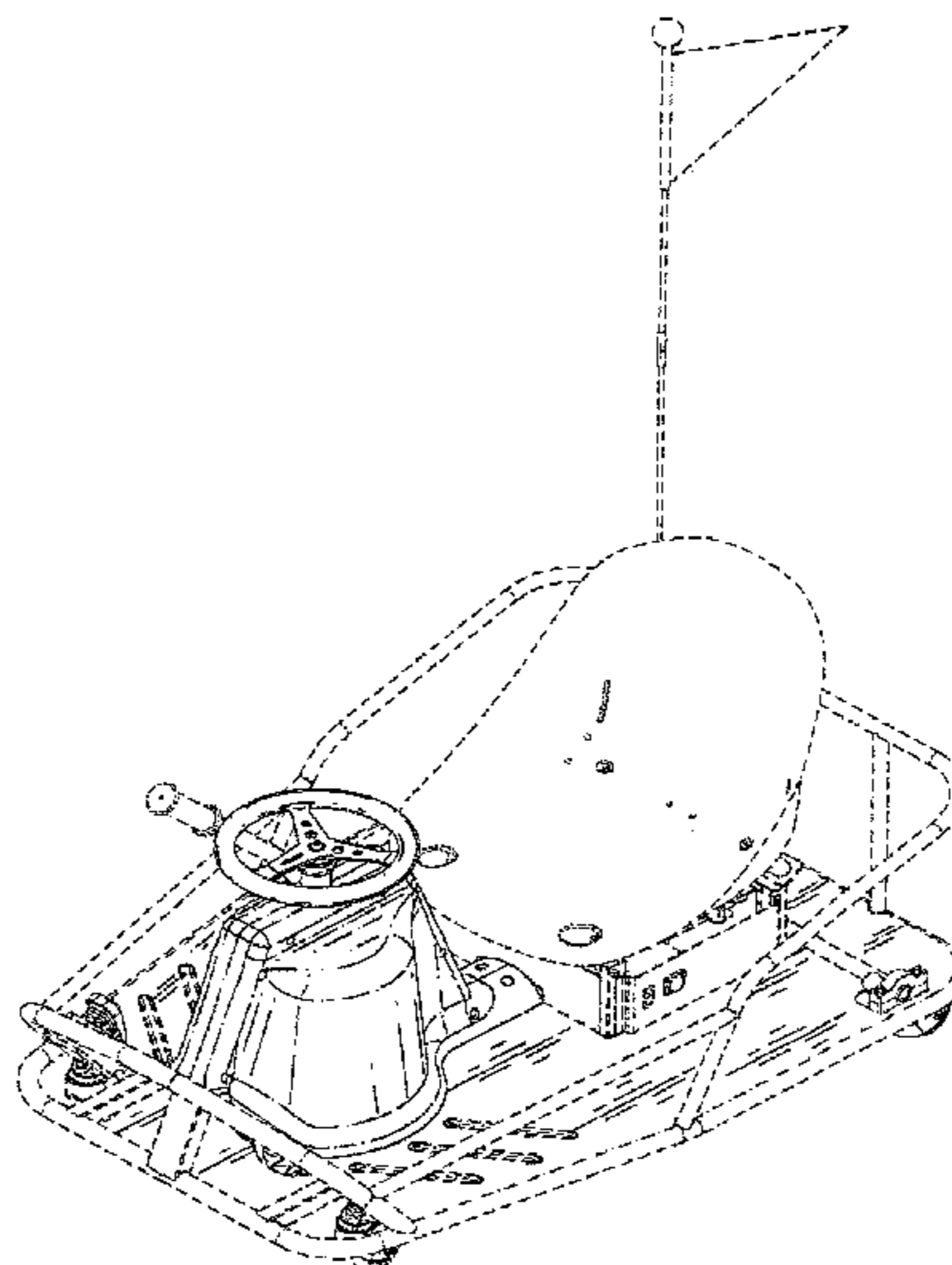
FIG. 12 is a left side elevation view thereof;

FIG. 13 is a right side elevation view thereof; and,

FIG. 14 is a top plan view thereof.

Broken lines are used to illustrate features of the drifting kart which form no part of the claimed design. Dash-dot lines indicate a boundary of claimed subject matter.

1 Claim, 14 Drawing Sheets



Related U.S. Application Data

a continuation of application No. 29/521,091, filed on Mar. 19, 2015, now Pat. No. Des. 774,981.

- (58) **Field of Classification Search**
 CPC A63G 25/00; B62D 21/183; B62D 39/00;
 B60K 7/0007
 See application file for complete search history.

(56) **References Cited**

U.S. PATENT DOCUMENTS

| | | | | |
|-----------|----|-----------|---------------------|------------------------|
| D190,024 | S | 4/1961 | Rouse | |
| 3,053,550 | A | 9/1962 | Joachim et al. | |
| 3,099,326 | A | 7/1963 | Weigel et al. | |
| 3,125,177 | A | 3/1964 | Paller | |
| 3,512,599 | A | 5/1970 | Hott et al. | |
| 3,533,484 | A | * 10/1970 | Wood, Jr. | B60K 1/00 180/206.4 |
| D222,283 | S | 10/1971 | Reeves | |
| 3,799,283 | A | 3/1974 | Freber | |
| 3,938,608 | A | 2/1976 | Folco-Zambelli | |
| 3,960,392 | A | 6/1976 | Read | |
| D243,627 | S | 3/1977 | Clower | |
| D246,198 | S | * 10/1977 | Rose | D21/426 |
| 4,065,144 | A | 12/1977 | Winchell | |
| D249,496 | S | * 9/1978 | Morgan | D12/112 |
| D252,714 | S | * 8/1979 | Tidwell | D21/426 |
| 4,281,844 | A | 8/1981 | Jackman et al. | |
| 4,359,231 | A | 11/1982 | Mulcahy | |
| 4,403,673 | A | 9/1983 | Ball | |
| D276,058 | S | * 10/1984 | Rogers | D21/426 |
| D280,916 | S | * 10/1985 | Castle | D21/426 |
| 4,572,535 | A | 2/1986 | Stewart | |
| D290,451 | S | 6/1987 | Engum | |
| 4,750,578 | A | 6/1988 | Brandenfels | |
| 4,826,190 | A | 5/1989 | Hartmann | |
| 4,896,899 | A | 1/1990 | Lawrence | |
| 4,898,508 | A | 2/1990 | Hayata | |
| 4,915,075 | A | 4/1990 | Brown | |
| 4,944,360 | A | 7/1990 | Sturges | |
| 4,993,733 | A | 2/1991 | Eilers | |
| 5,036,938 | A | 8/1991 | Blount et al. | |
| D320,420 | S | * 10/1991 | Dupont | D12/88 |
| D320,586 | S | * 10/1991 | Tellinghuisen | D12/112 |
| D332,765 | S | 1/1993 | Tellinghuisen | |
| D332,977 | S | 2/1993 | Huffman et al. | |
| 5,257,671 | A | 11/1993 | Watkins | |
| 5,265,690 | A | 11/1993 | Amundsen et al. | |
| 5,477,936 | A | 12/1995 | Sugioka et al. | |
| 5,479,998 | A | 1/1996 | Ishikawa | |
| 5,494,126 | A | 2/1996 | Meeker | |
| D369,130 | S | 4/1996 | Cummings | |
| D378,226 | S | 2/1997 | Sundqvist | |
| 5,628,379 | A | 5/1997 | Watkins | |
| 5,826,670 | A | 10/1998 | Nan | |
| D408,869 | S | 4/1999 | Patmont | |
| 5,904,218 | A | 5/1999 | Watkins | |
| D412,138 | S | 7/1999 | Triarsi et al. | |
| 6,026,923 | A | 2/2000 | Uphaus | |
| 6,047,786 | A | 4/2000 | Stevenson et al. | |
| D440,607 | S | 4/2001 | Mahlow | |
| 6,267,190 | B1 | 7/2001 | Micheletti | |
| 6,276,480 | B1 | 8/2001 | Aregger | |
| 6,349,786 | B1 | 2/2002 | Gift | |
| D460,723 | S | 7/2002 | Smit | |
| D465,814 | S | 11/2002 | Kovelski | |
| D466,560 | S | 12/2002 | Stolpmann | |
| D469,819 | S | 2/2003 | Nicolle et al. | |
| D471,936 | S | 3/2003 | Tilbor et al. | |
| D483,420 | S | 12/2003 | Delong et al. | |
| D488,194 | S | 4/2004 | Fox et al. | |
| 6,729,421 | B1 | 5/2004 | Gluck | |
| 6,749,039 | B1 | 6/2004 | Uphaus | |
| 6,766,871 | B2 | 7/2004 | Sawyer | |
| D512,467 | S | 12/2005 | Hadley et al. | |
| 7,117,967 | B2 | 10/2006 | Kidd | |

| | | | | |
|--------------|-----|-----------|------------------|-----------------------|
| 7,198,322 | B2 | 4/2007 | Savo | |
| D562,914 | S | 2/2008 | Oveson et al. | |
| D570,572 | S | 6/2008 | Whiteside et al. | |
| D574,297 | S | 8/2008 | Carl | |
| D575,675 | S | 8/2008 | Williams et al. | |
| D582,992 | S | * 12/2008 | Alais | D21/426 |
| 7,552,934 | B2 | 6/2009 | Lee et al. | |
| D601,640 | S | 10/2009 | McIlvain et al. | |
| D608,250 | S | 1/2010 | Van De | |
| D611,106 | S | 3/2010 | Van Beek | |
| 7,712,558 | B2 | 5/2010 | Helson et al. | |
| 7,823,675 | B2 | 11/2010 | Kermani | |
| D637,116 | S | 5/2011 | Kettler | |
| D637,660 | S | 5/2011 | Markowitz | |
| 8,091,658 | B2 | 1/2012 | Peng | |
| 8,356,686 | B2 | 1/2013 | Kermani | |
| 8,365,850 | B2 | 2/2013 | Gal et al. | |
| D682,746 | S | 5/2013 | Doherty et al. | |
| D692,505 | S | * 10/2013 | Jiang | D12/112 |
| D692,506 | S | * 10/2013 | Jiang | D12/112 |
| D705,128 | S | 5/2014 | Patterson et al. | |
| 8,801,005 | B1 | 8/2014 | Flickner et al. | |
| 8,820,460 | B2 | 9/2014 | Chen | |
| 8,840,131 | B1 | 9/2014 | Calley | |
| 8,875,831 | B2 | 11/2014 | Kermani | |
| 8,931,583 | B2 | 1/2015 | Tuckowski | |
| 9,102,375 | B2 | 8/2015 | Kermani | |
| 9,139,248 | B2 | 9/2015 | Xiao | |
| D761,700 | S | 7/2016 | Kermani | |
| D766,780 | S | 9/2016 | Fusco | |
| D771,196 | S | 11/2016 | Chen | |
| 9,499,220 | B2 | 11/2016 | Kermani | |
| D774,602 | S | 12/2016 | Desberg | |
| D774,981 | S | 12/2016 | Chen | |
| D775,282 | S | 12/2016 | Williams et al. | |
| D776,204 | S | 1/2017 | Van Der Berg | |
| 9,557,740 | B2 | 1/2017 | Crawley | |
| D778,369 | S | 2/2017 | Douma et al. | |
| D783,726 | S | 4/2017 | Williams et al. | |
| D787,379 | S | 5/2017 | Kermani | |
| D792,811 | S | 7/2017 | Kermani et al. | |
| D793,480 | S | 8/2017 | Chen | |
| D793,481 | S | 8/2017 | Kermani et al. | |
| D793,912 | S | 8/2017 | Kermani | |
| D807,438 | S | 1/2018 | Desberg | |
| D820,733 | S | 6/2018 | Chen | |
| D830,469 | S | 10/2018 | Kermani et al. | |
| D830,470 | S | 10/2018 | Chen | |
| 10,245,194 | B2 | 4/2019 | Kermani | |
| D852,892 | S | 7/2019 | Chen | |
| D852,893 | S | 7/2019 | Kermani et al. | |
| D854,457 | S | 7/2019 | Kermani | |
| D854,458 | S | 7/2019 | Kermani | |
| 2004/0035627 | A1 | 2/2004 | Richey et al. | |
| 2004/0040769 | A1 | 3/2004 | Richey et al. | |
| 2004/0199311 | A1* | 10/2004 | Aguilar | G09B 9/042 701/36 |
| 2007/0045022 | A1 | 3/2007 | Greig et al. | |
| 2008/0122209 | A1 | 5/2008 | Jayasuriya | |
| 2008/0196951 | A1 | 8/2008 | Gal et al. | |
| 2009/0065272 | A1 | 3/2009 | Martin et al. | |
| 2010/0032223 | A1* | 2/2010 | Kermani | A63G 25/00 180/216 |
| 2011/0042912 | A1 | 2/2011 | Kermani | |
| 2012/0133111 | A1 | 5/2012 | Schmutzer et al. | |
| 2015/0328994 | A1 | 5/2015 | Chen et al. | |
| 2017/0156953 | A1 | 6/2017 | Kermani | |
| 2018/0029458 | A1 | 2/2018 | Chen et al. | |
| 2018/0043950 | A1 | 2/2018 | Kermani et al. | |

FOREIGN PATENT DOCUMENTS

| | | | |
|----|-----------|----|--------|
| CN | 201009762 | Y | 1/2008 |
| CN | 203186508 | U | 9/2013 |
| CN | 203427959 | U | 2/2014 |
| EP | 0529188 | A1 | 3/1993 |

(56)

References Cited

FOREIGN PATENT DOCUMENTS

FR 859864 A 12/1940
WO WO 2018/035060 A1 2/2018

OTHER PUBLICATIONS

OTL Elektrokart, "Storm Series—Competition" Datasheet, Jun. 14, 2014, retrieved on Aug. 6, 2016, <https://www.kart1.com/pdf/competition.pdf>, in 3 pages.

International Written Opinion of International Patent Application No. PCT/CN2017/072086, dated May 19, 2017.

* cited by examiner

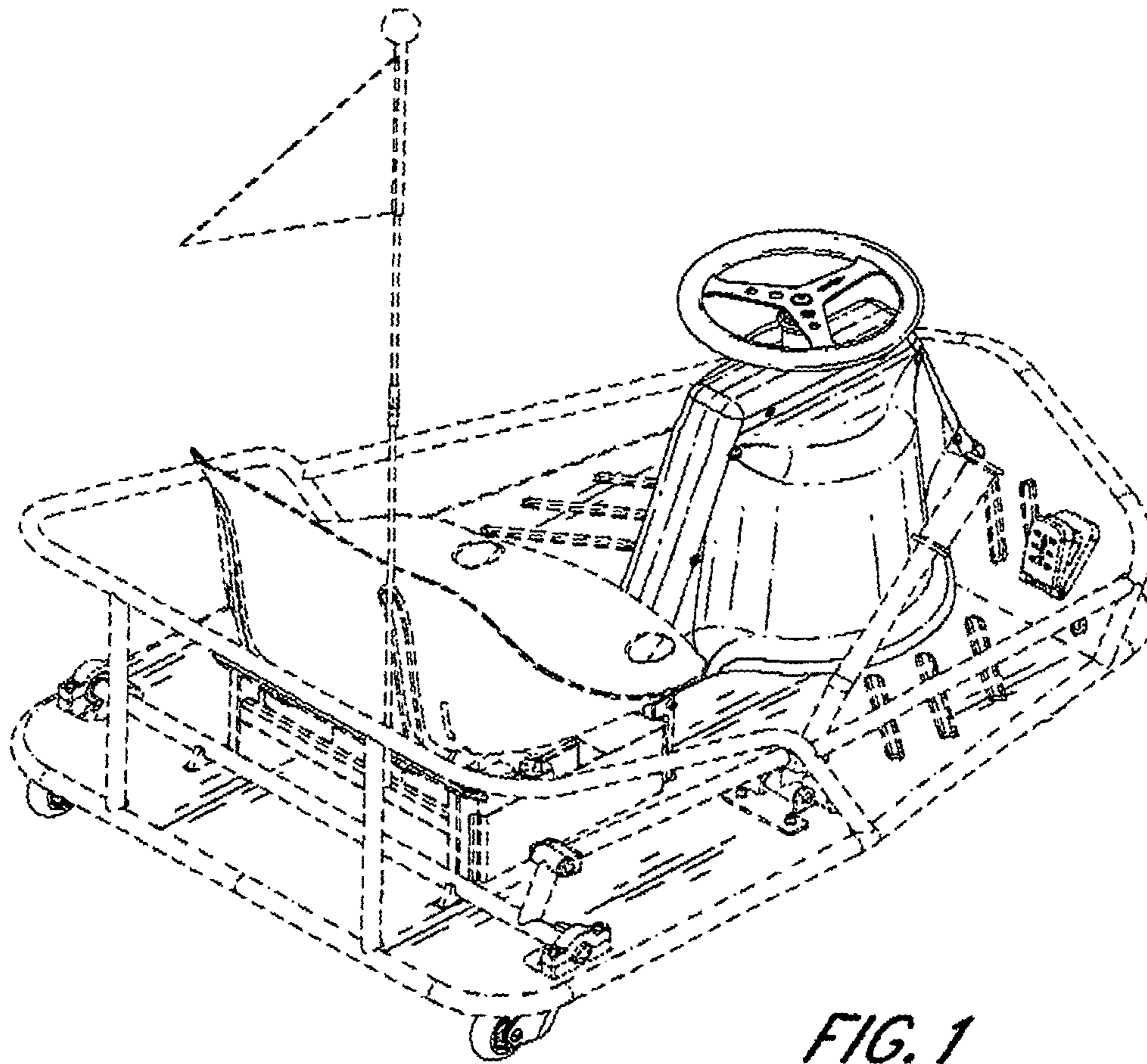


FIG. 1

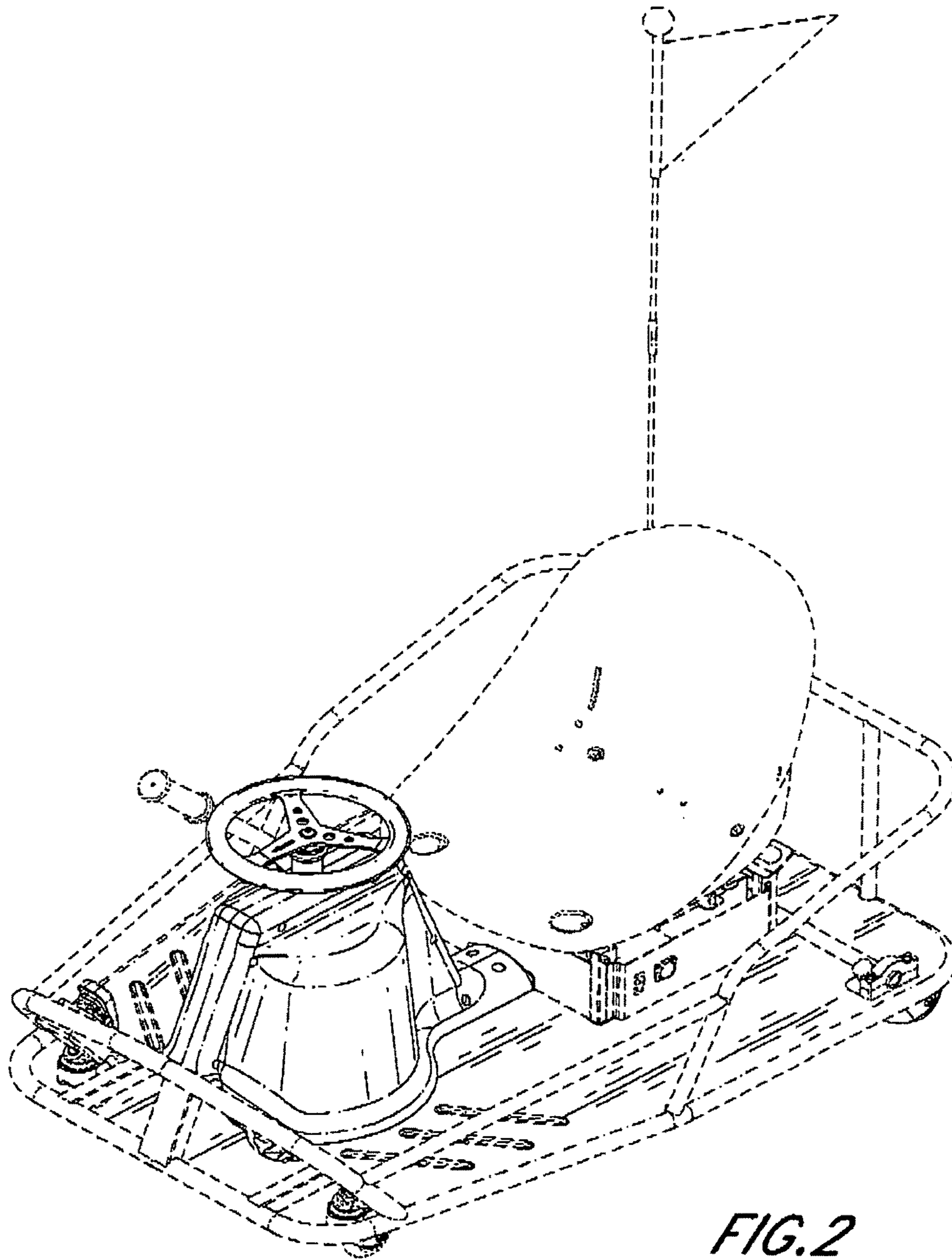


FIG. 2

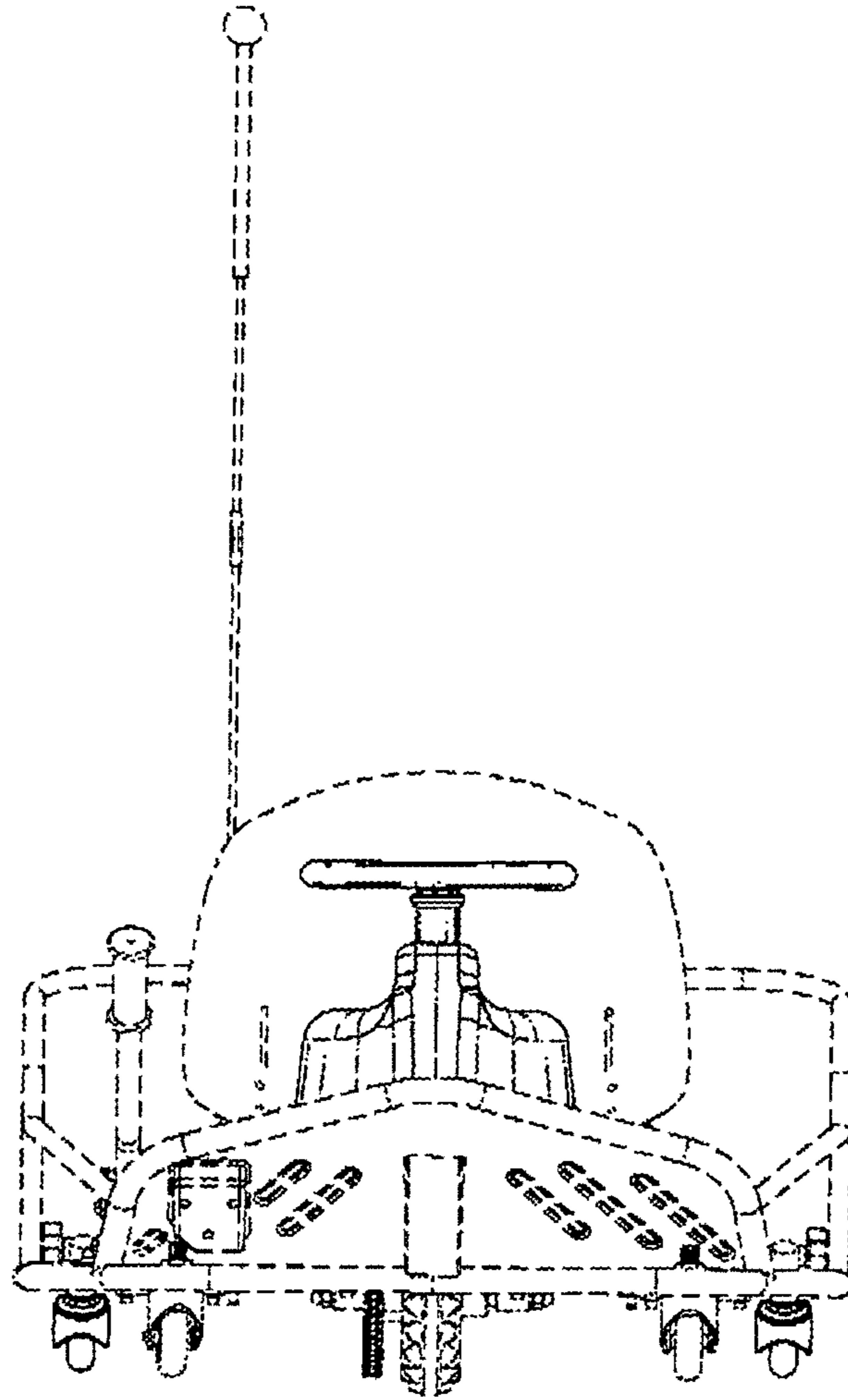


FIG. 3

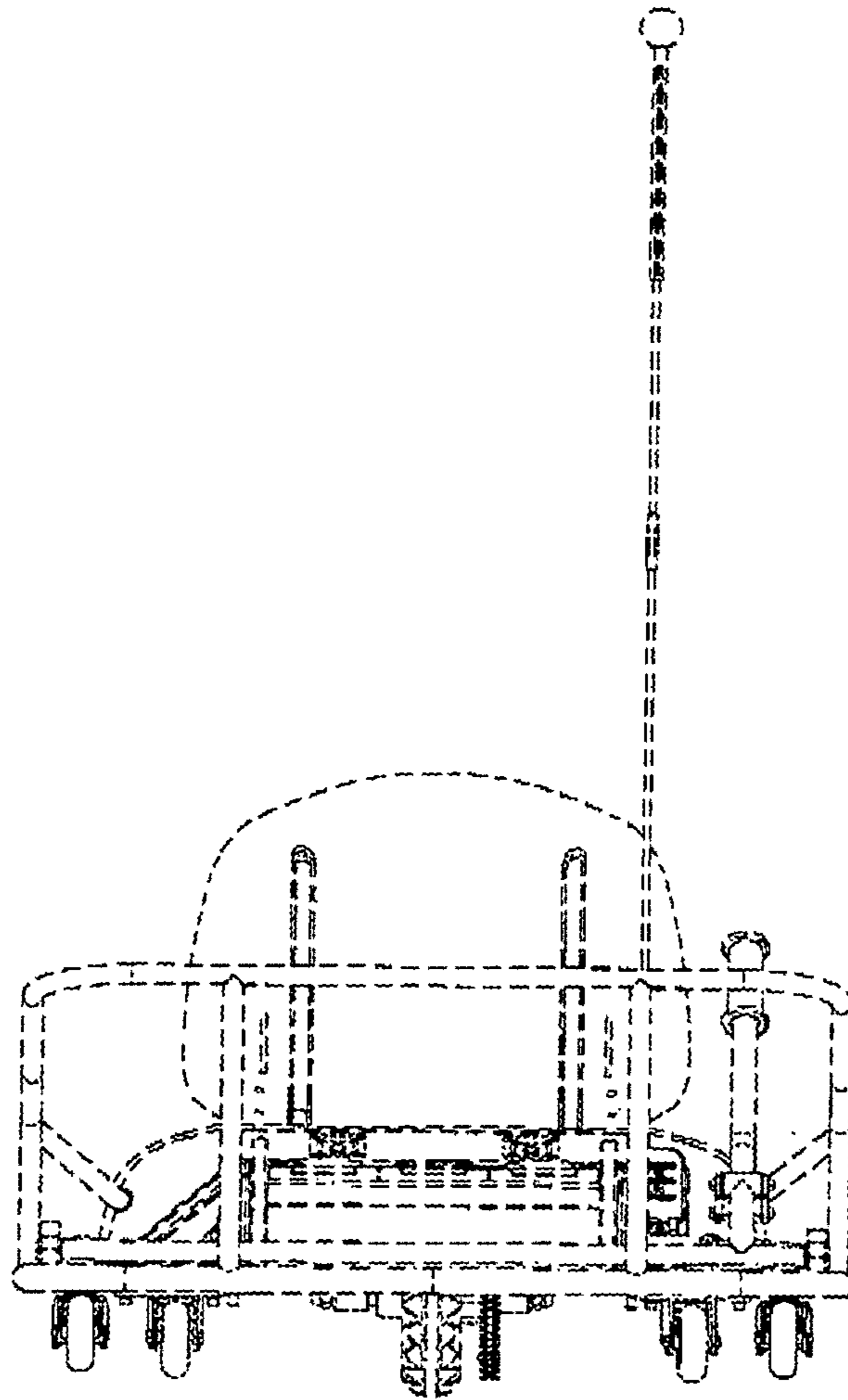


FIG. 4

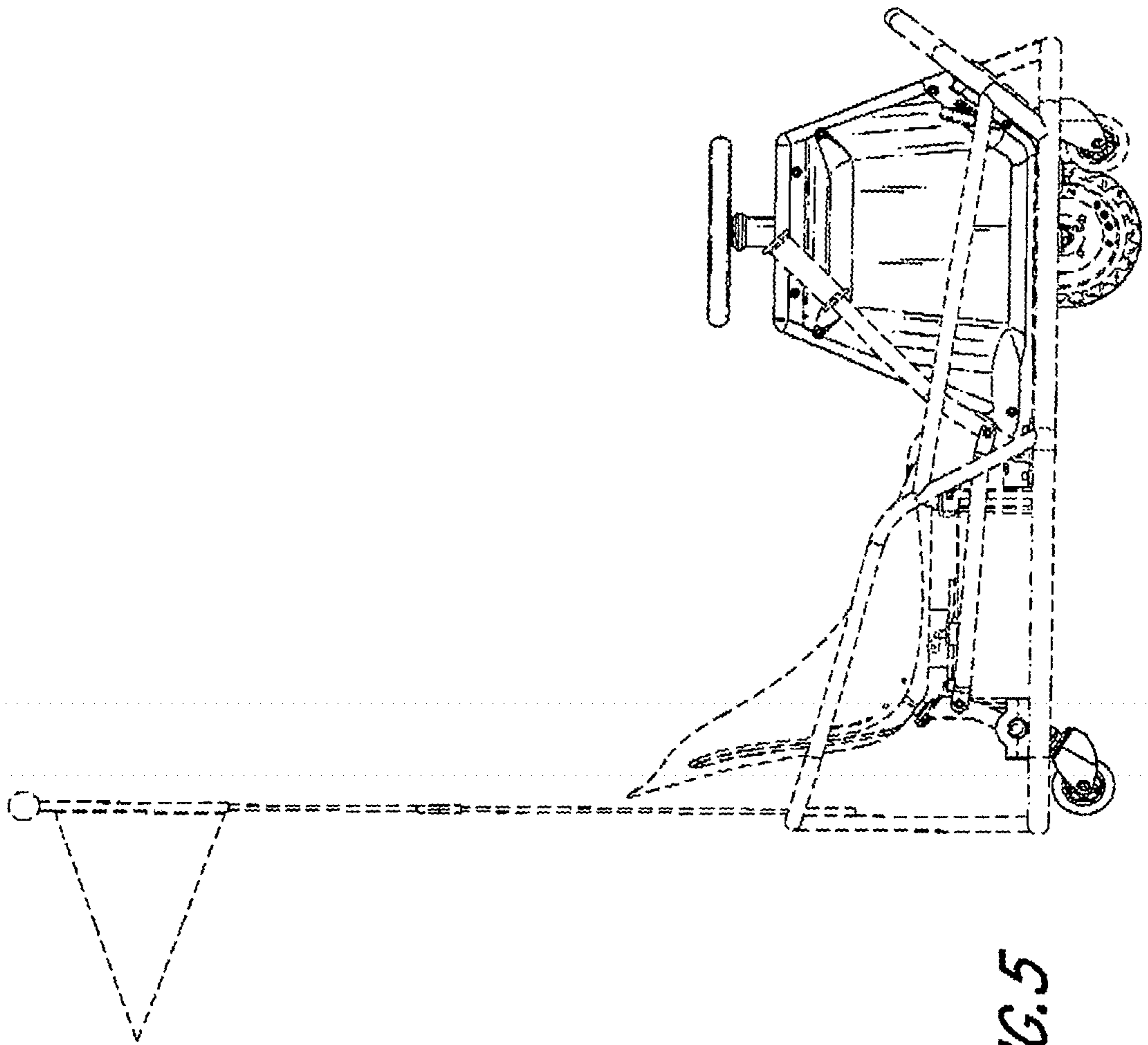
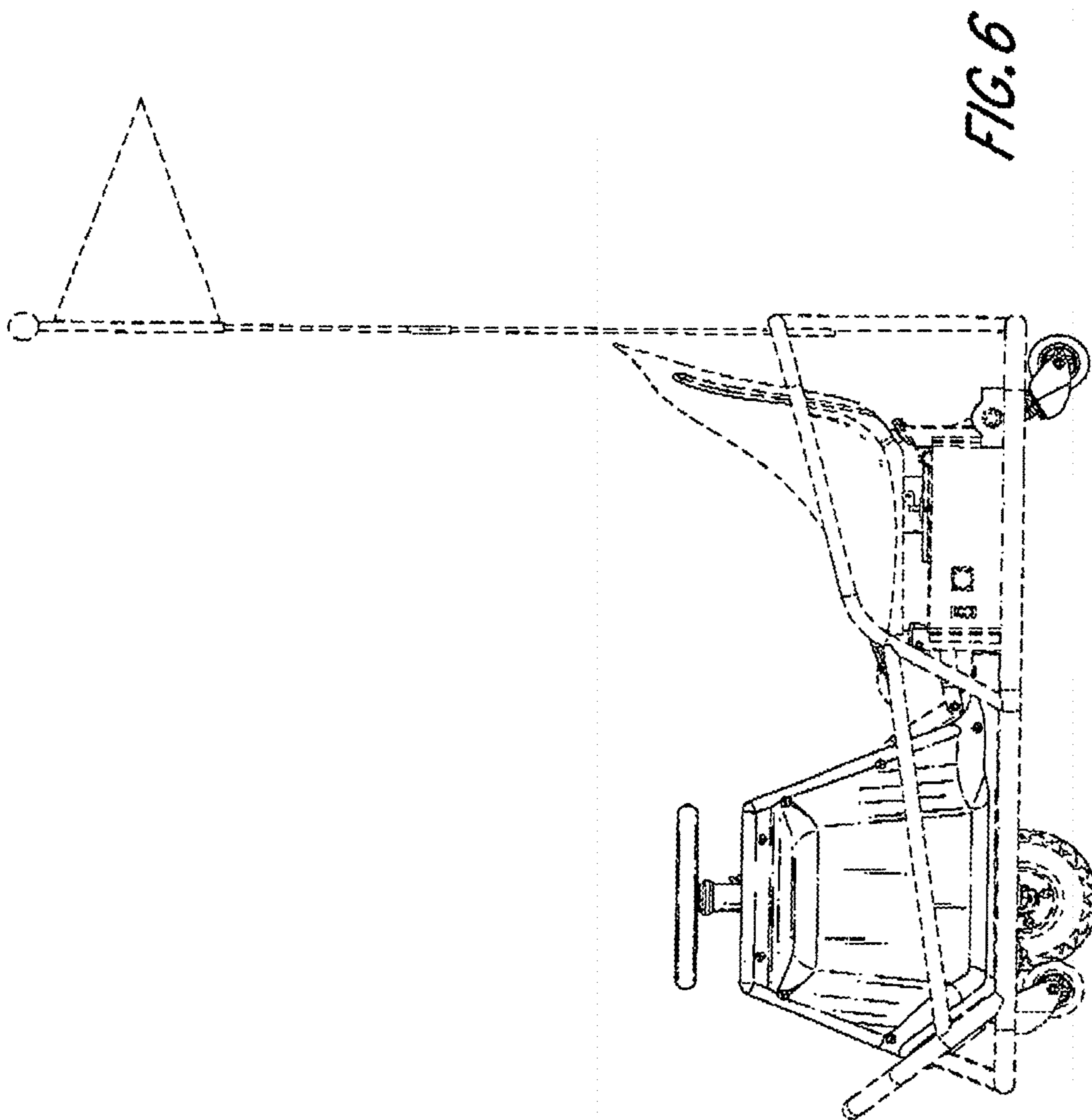


FIG. 5



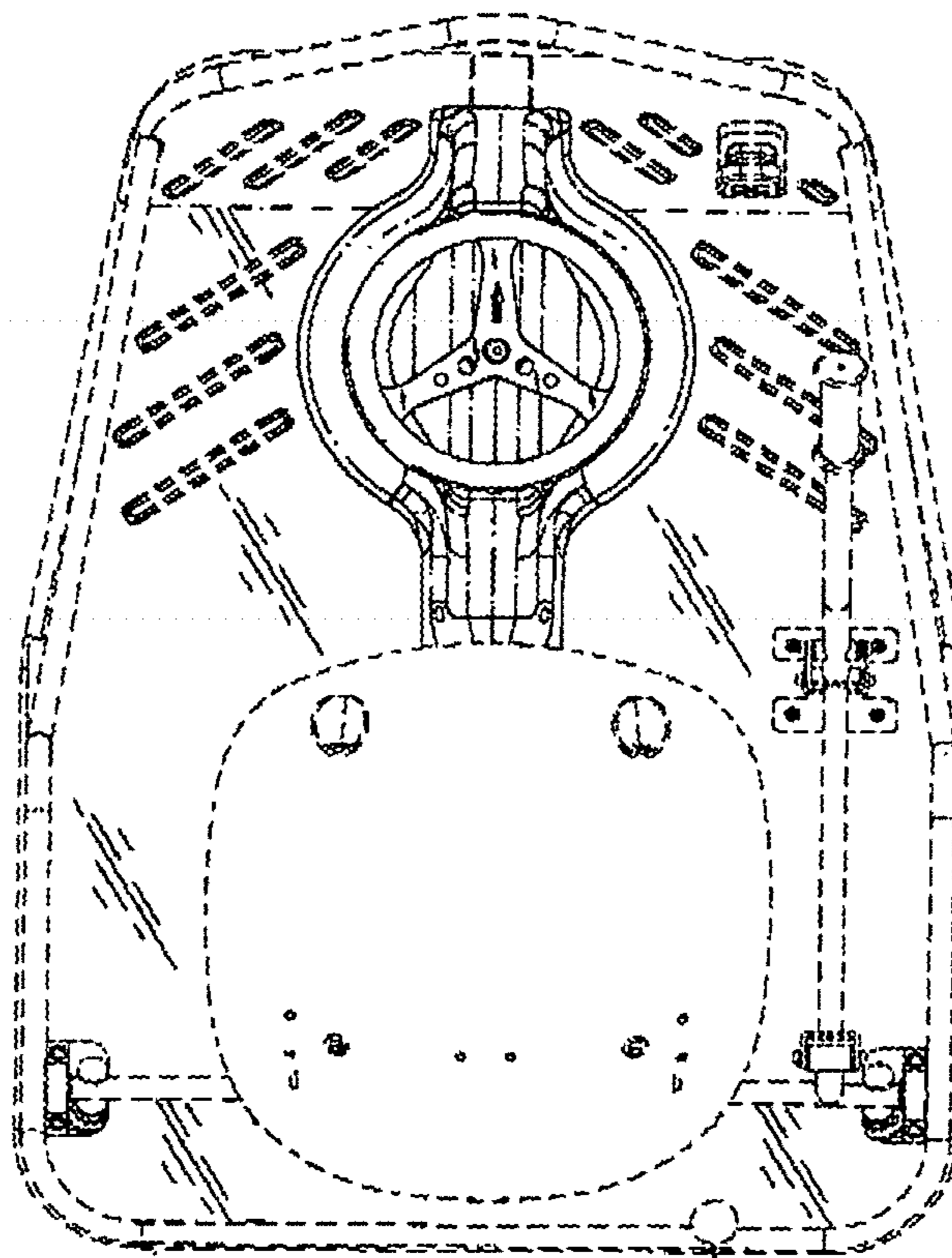


FIG. 7

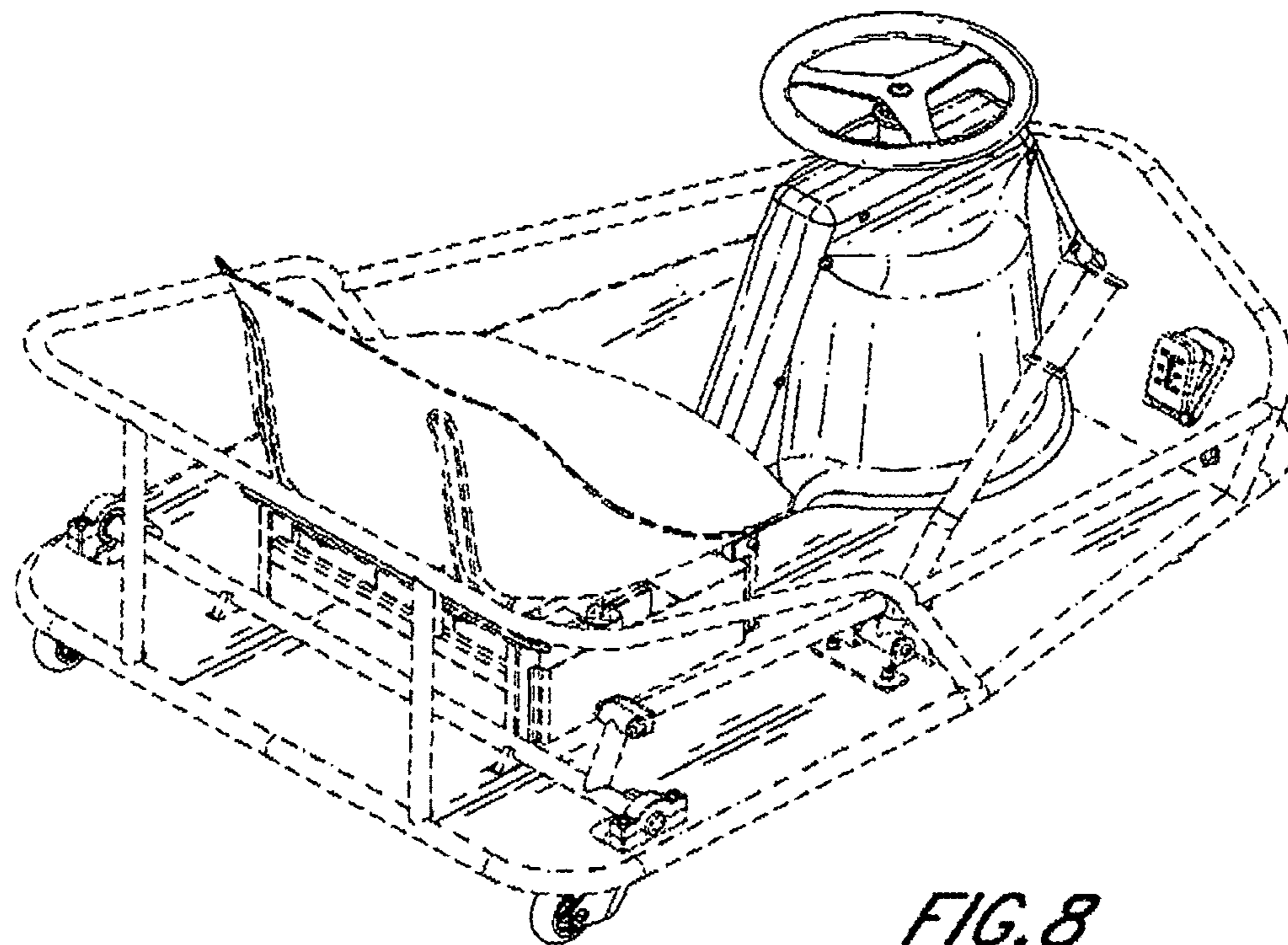


FIG. 8

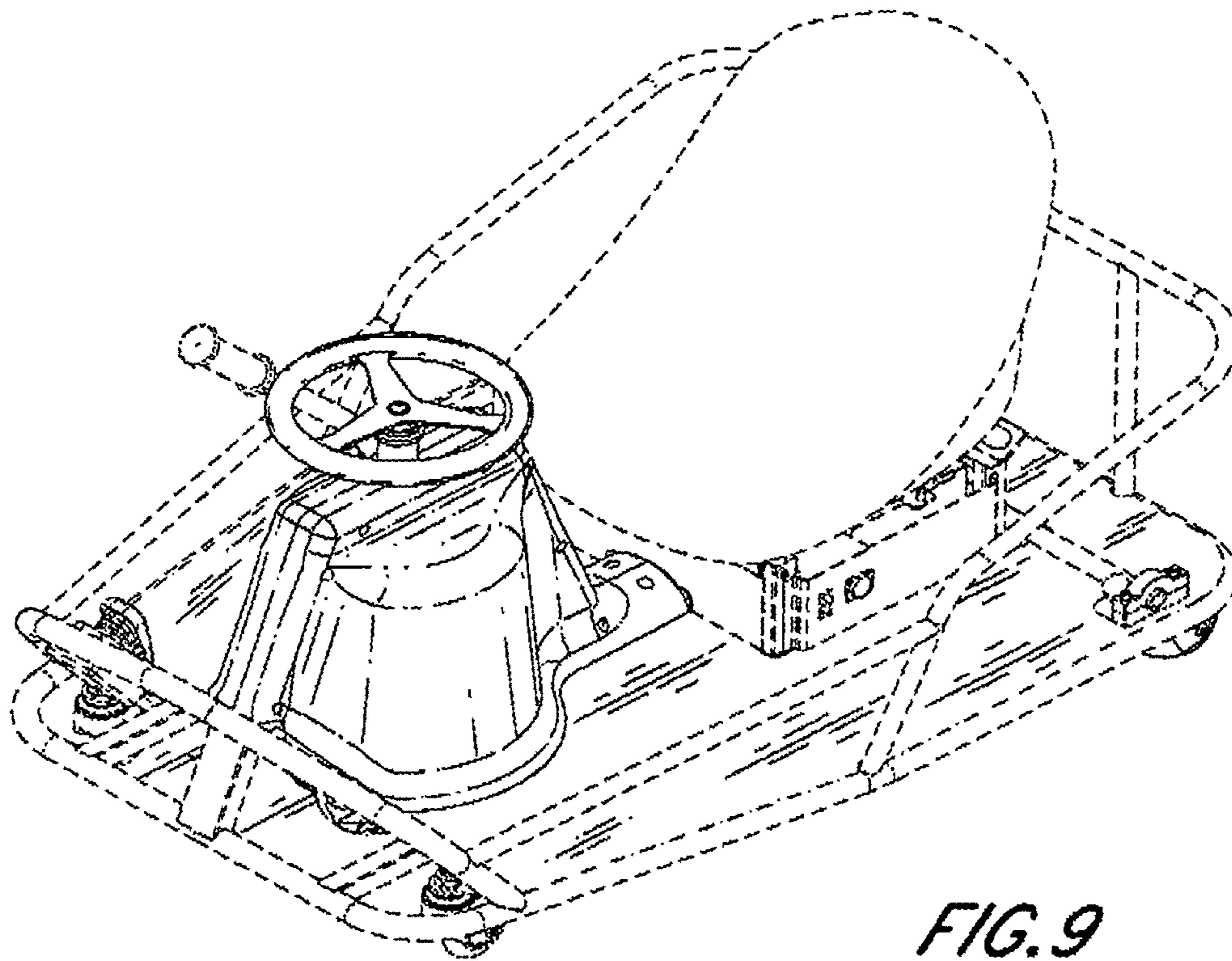


FIG. 9

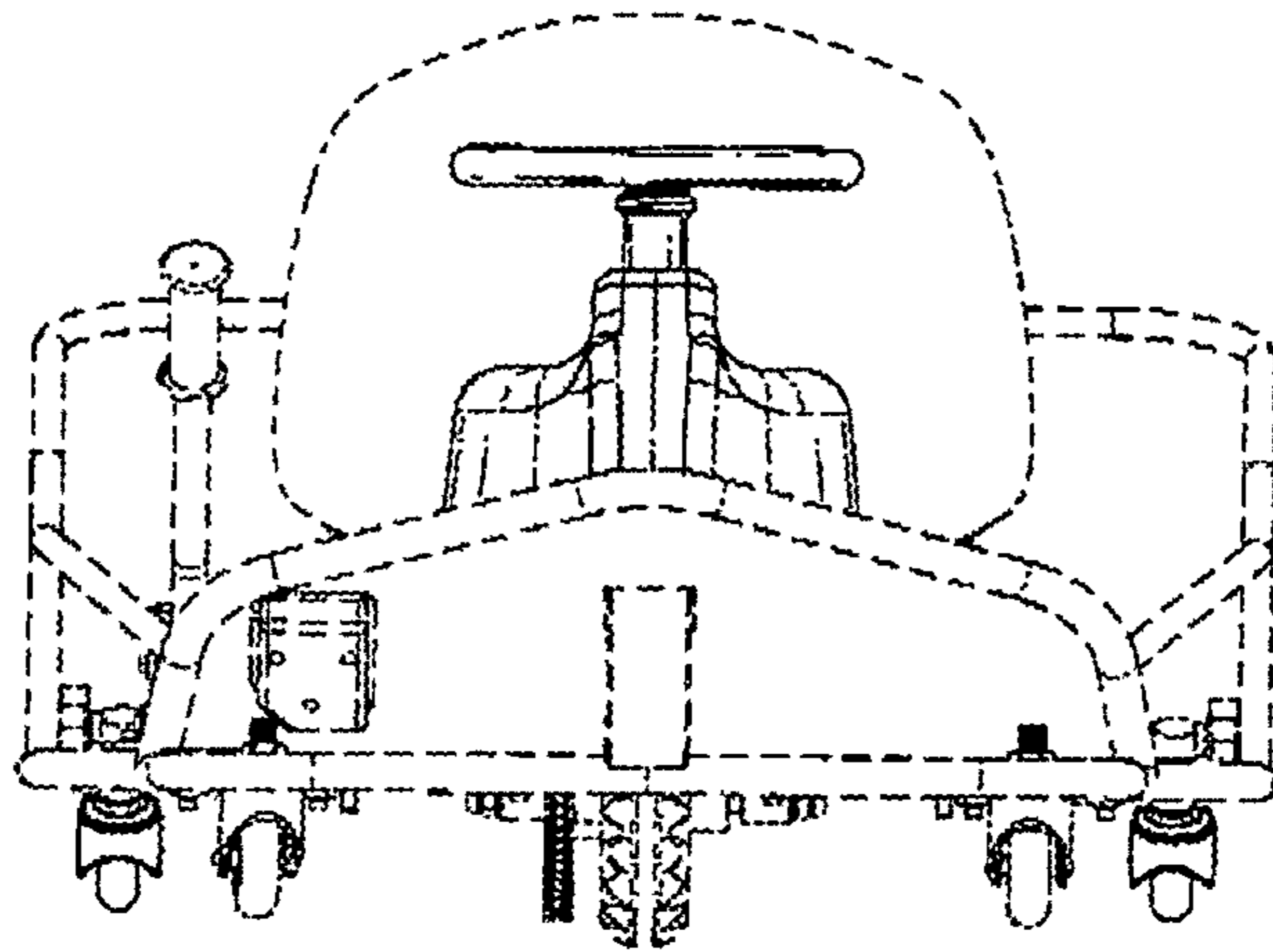


FIG. 10

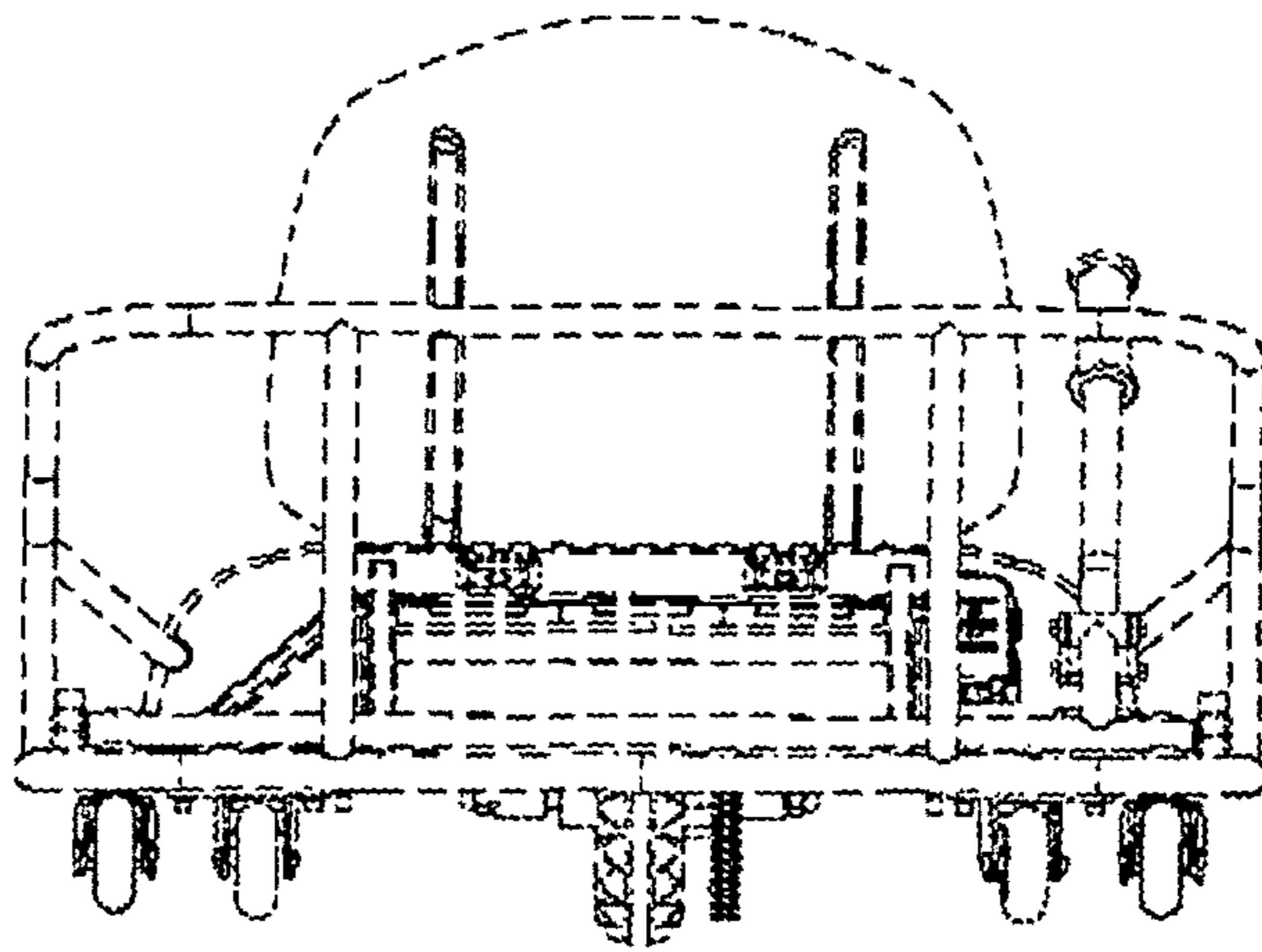


FIG. 11

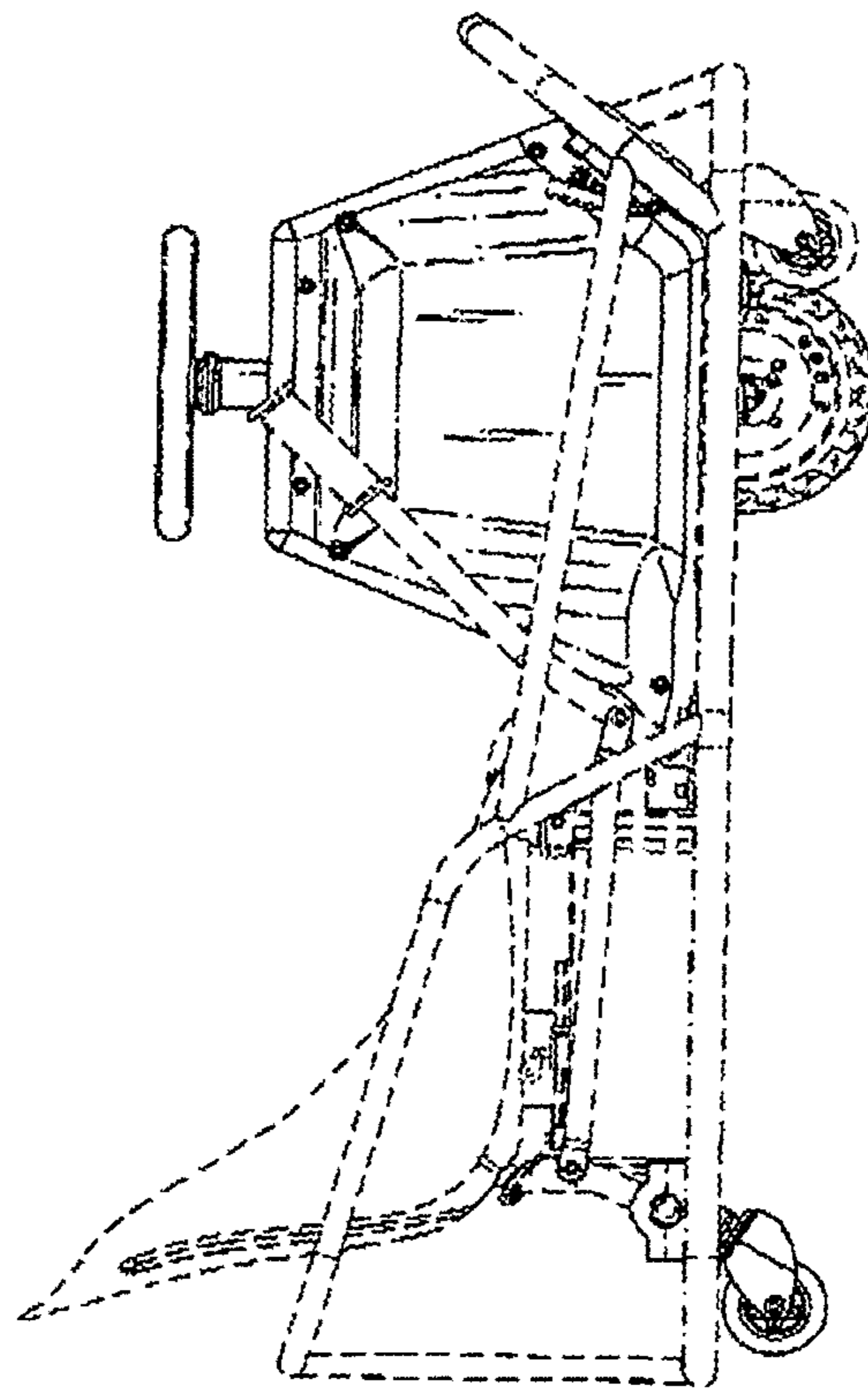


FIG. 12

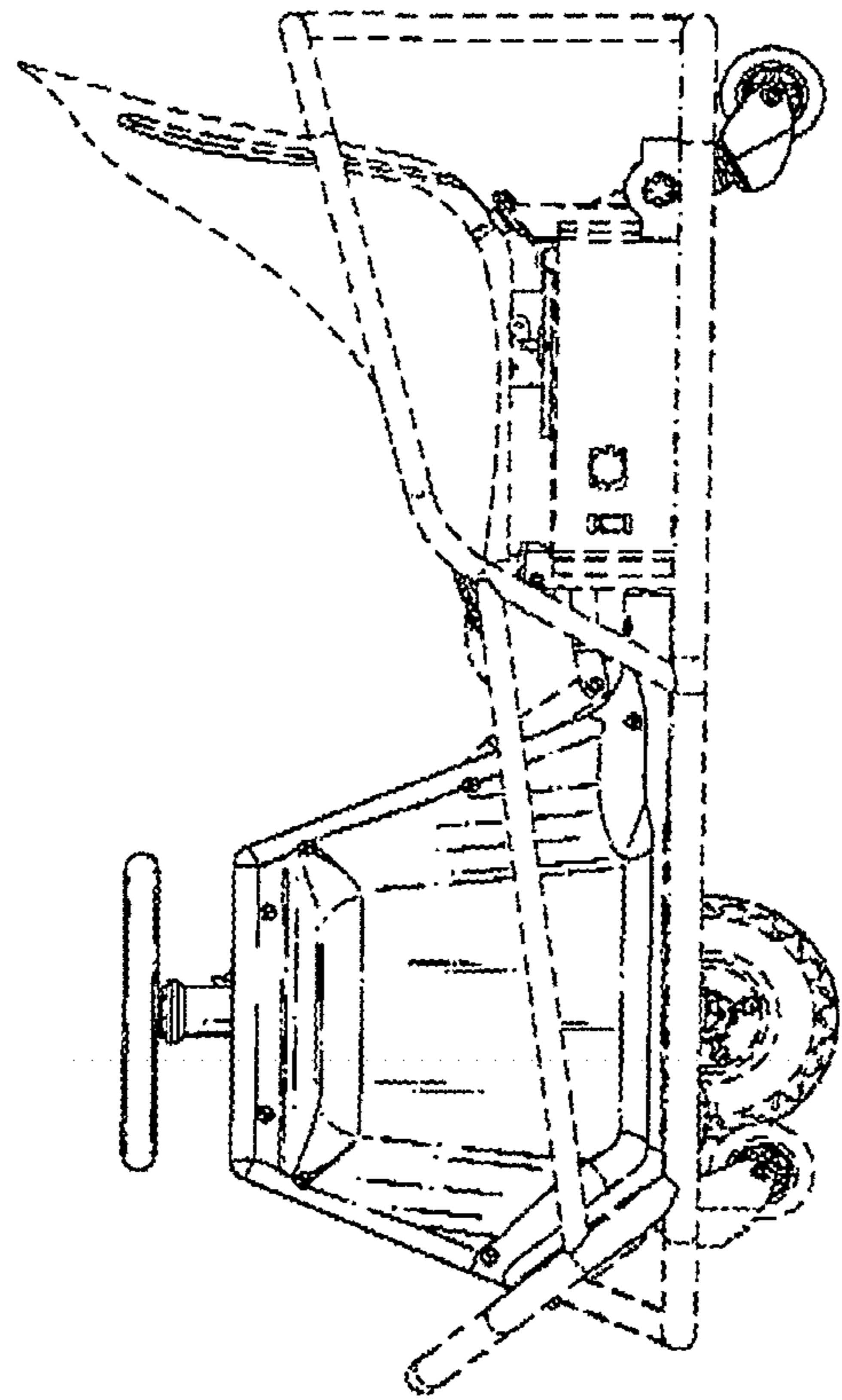


FIG. 13

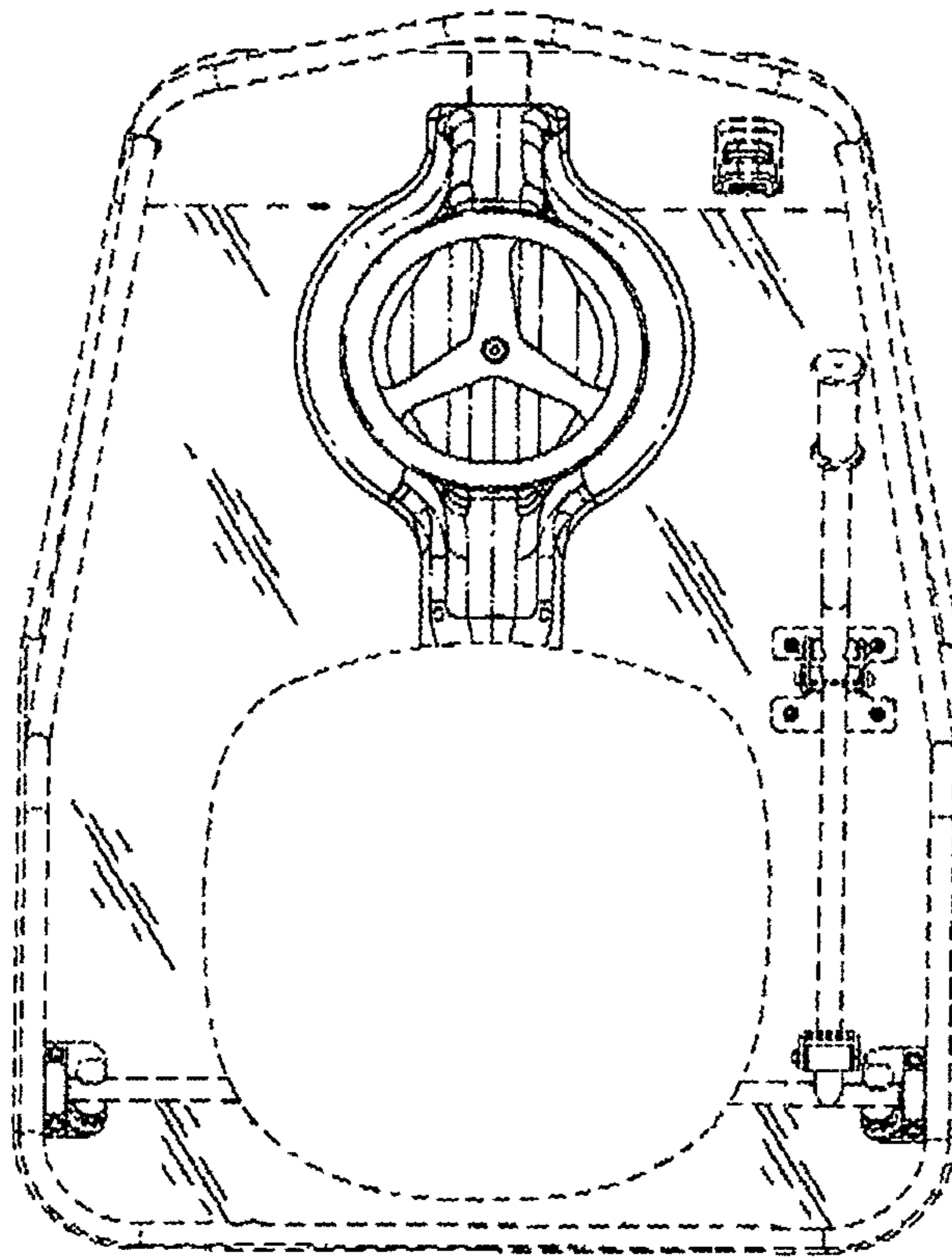


FIG. 14