



US00D874984S

(12) **United States Design Patent**  
**Luke et al.**

(10) **Patent No.:** **US D874,984 S**

(45) **Date of Patent:** **\*\* Feb. 11, 2020**

(54) **MOTOR SCOOTER**

(71) Applicant: **Gogoro Inc.**, Hong Kong (CN)

(72) Inventors: **Hok-Sum Horace Luke**, Mercer Island, WA (US); **Song-Fu Wang**, Taipei (TW); **Hsin-Wen Su**, Taipei (TW); **Hsi-Wen Chen**, Taichung (TW); **Chien-Chih Weng**, New Taipei (TW)

(73) Assignee: **Gogoro Inc.**, Hong Kong (CN)

(\*\*) Term: **15 Years**

(21) Appl. No.: **29/627,019**

(22) Filed: **Nov. 21, 2017**

(30) **Foreign Application Priority Data**

May 25, 2017 (TW) ..... 106302799 A  
May 25, 2017 (TW) ..... 106302800 A  
May 25, 2017 (TW) ..... 106302801 A

(51) **LOC (12) Cl.** ..... **12-11**

(52) **U.S. Cl.**  
USPC ..... **D12/110**

(58) **Field of Classification Search**  
USPC ..... D12/110, 111, 117; D21/432, 538  
CPC ..... B62K 11/00; B62K 11/02; B62K 11/04;  
B62K 11/10; B62K 17/00; B62K 19/00;  
B62K 2202/00

See application file for complete search history.

(56) **References Cited**

**U.S. PATENT DOCUMENTS**

D269,169 S \* 5/1983 Ban ..... D12/110  
D270,436 S \* 9/1983 Gaddi ..... 296/37.12  
D273,853 S \* 5/1984 Kawashima ..... D12/110  
D286,521 S \* 11/1986 Tanaka ..... D12/110  
D287,833 S \* 1/1987 Moselli ..... D12/110

D287,834 S \* 1/1987 Ito ..... D12/110  
D290,824 S \* 7/1987 Miura ..... D12/110  
4,715,465 A \* 12/1987 Takahashi ..... B62J 17/00  
180/219  
D304,555 S \* 11/1989 Nishiyama ..... D12/110  
D331,553 S \* 12/1992 Agnolucci ..... D12/110  
D490,750 S \* 6/2004 Hoshino ..... D12/110  
D503,907 S \* 4/2005 Beggio ..... D12/110  
D514,987 S \* 2/2006 Hsiao ..... D12/110  
D529,415 S \* 10/2006 Shimada ..... D12/110  
D537,386 S \* 2/2007 Mizuta ..... D12/110  
D537,756 S \* 3/2007 Kitayama ..... D12/110  
D574,300 S \* 8/2008 Kitayama ..... D12/110  
D585,334 S \* 1/2009 Chiu ..... D12/110  
D596,992 S \* 7/2009 Yang ..... D12/110  
D602,813 S \* 10/2009 Chao ..... D12/110  
D602,815 S \* 10/2009 Lin ..... D12/110  
D612,770 S \* 3/2010 Chen ..... D12/110  
D622,637 S \* 8/2010 Schneider ..... D12/110  
D642,497 S \* 8/2011 Lin ..... D12/110  
D644,961 S \* 9/2011 Watanabe ..... D12/110  
D647,006 S \* 10/2011 Hung ..... D12/110  
D657,722 S \* 4/2012 Lambri ..... D12/110

(Continued)

*Primary Examiner* — Darlington Ly

(74) *Attorney, Agent, or Firm* — Perkins Coie LLP

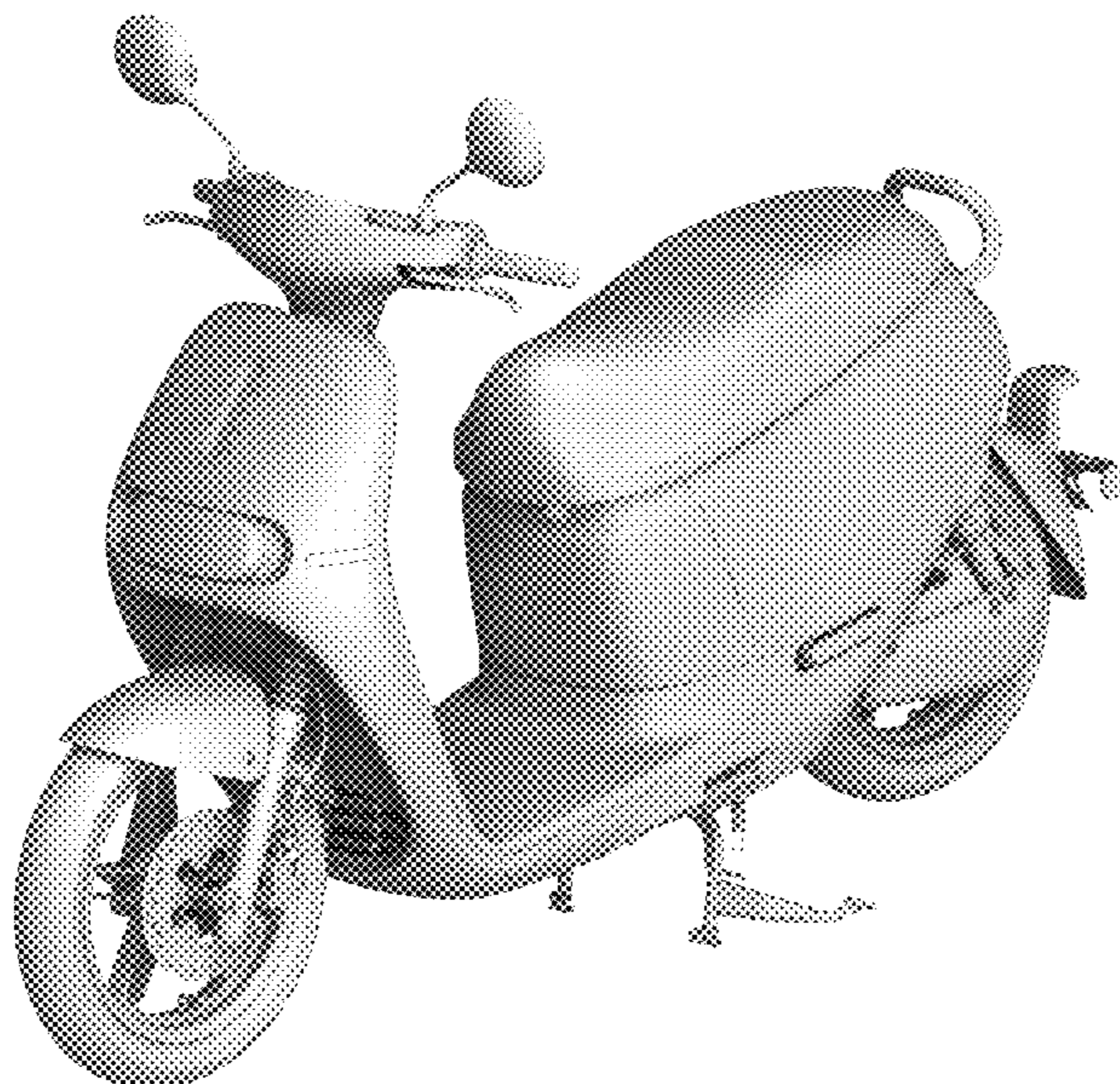
(57) **CLAIM**

The ornamental design for a motor scooter, as shown and described.

**DESCRIPTION**

FIG. 1 is a front and left side perspective view of a motor scooter showing our new design;  
FIG. 2 is a front elevation view thereof;  
FIG. 3 is a rear elevation view thereof;  
FIG. 4 is a right side elevation view thereof;  
FIG. 5 is a left side elevation view thereof;  
FIG. 6 is a top plan view thereof;  
FIG. 7 is a bottom plan view thereof; and,  
FIG. 8 is a rear and right side perspective view thereof.

**1 Claim, 8 Drawing Sheets**



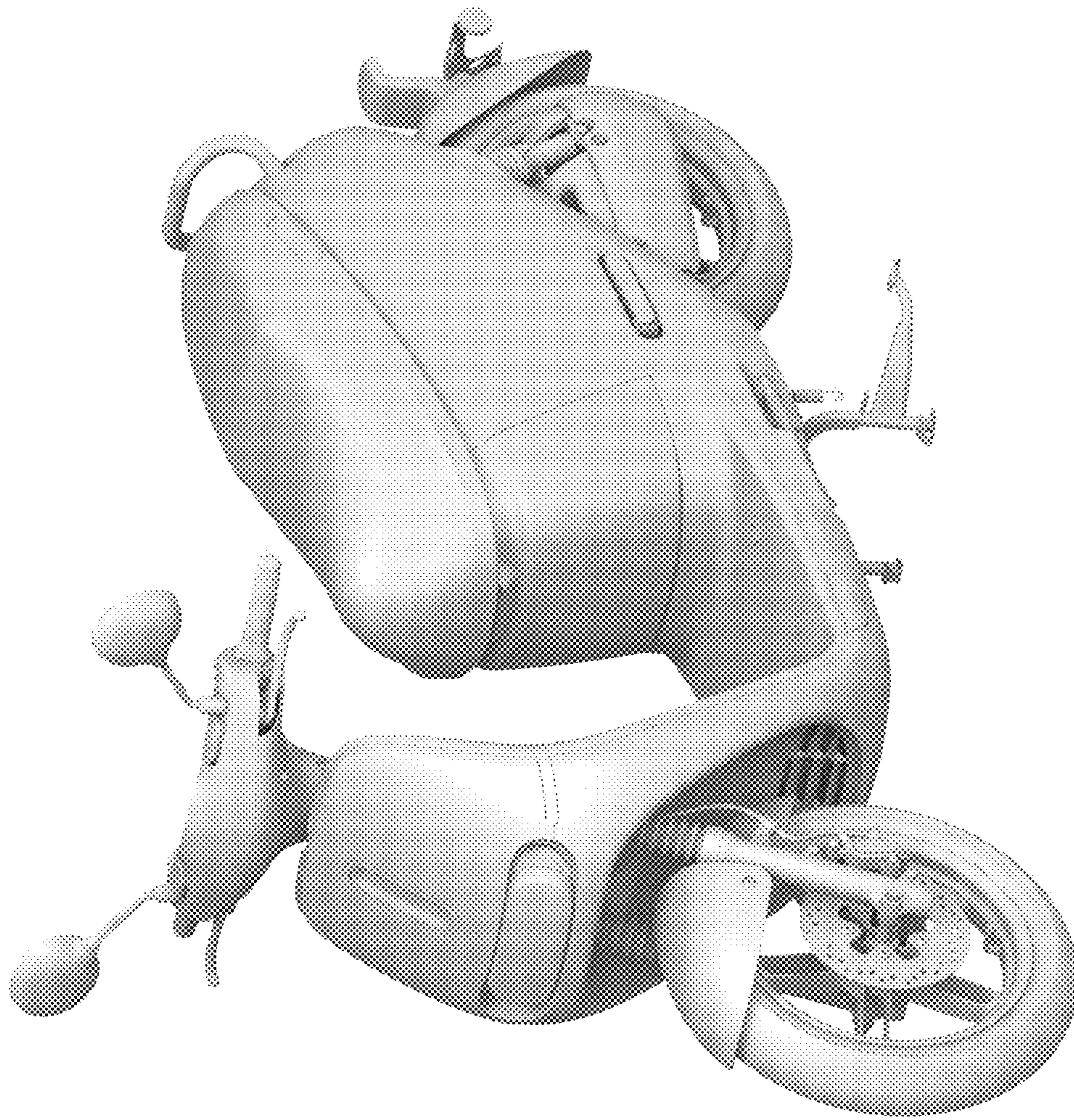
(56)

**References Cited**

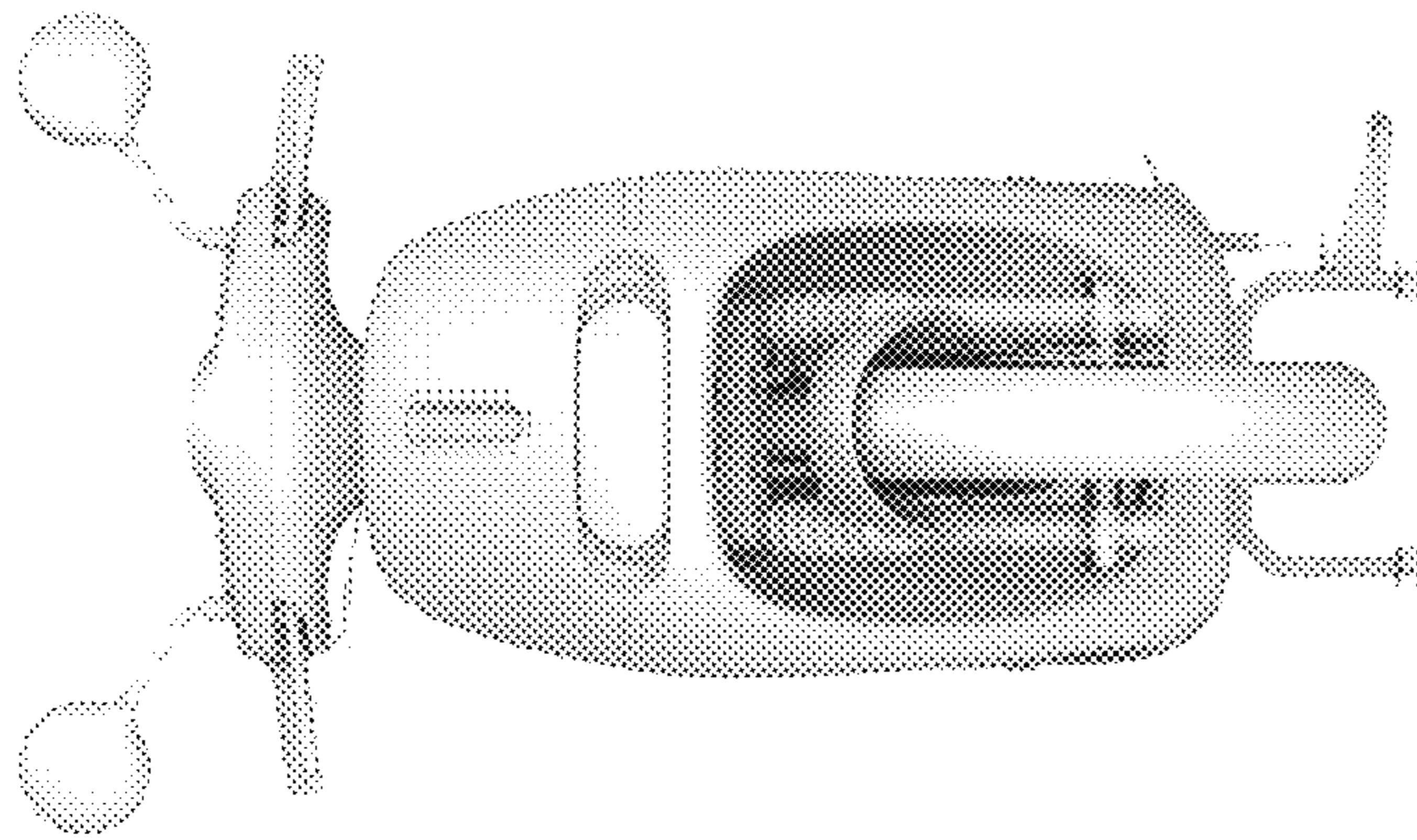
U.S. PATENT DOCUMENTS

|           |      |         |                    |           |
|-----------|------|---------|--------------------|-----------|
| D664,898  | S *  | 8/2012  | Van Hooydonk ..... | D12/110   |
| D673,882  | S *  | 1/2013  | Tartarini .....    | D12/110   |
| D678,128  | S *  | 3/2013  | Lambri .....       | D12/110   |
| D680,911  | S *  | 4/2013  | Wu .....           | D12/110   |
| D690,235  | S *  | 9/2013  | Wu .....           | D12/110   |
| D727,799  | S *  | 4/2015  | Castrucci .....    | D12/110   |
| D729,124  | S *  | 5/2015  | Lambri .....       | D12/110   |
| D735,084  | S *  | 7/2015  | Lambri .....       | D12/110   |
| D742,791  | S *  | 11/2015 | Sanderson .....    | D12/110   |
| D761,699  | S *  | 7/2016  | Watanabe .....     | D12/110   |
| 9,463,843 | B2 * | 10/2016 | Tseng .....        | B62J 1/00 |
| D794,510  | S    | 8/2017  | Luke et al.        |           |
| D806,610  | S *  | 1/2018  | Su .....           | D12/110   |

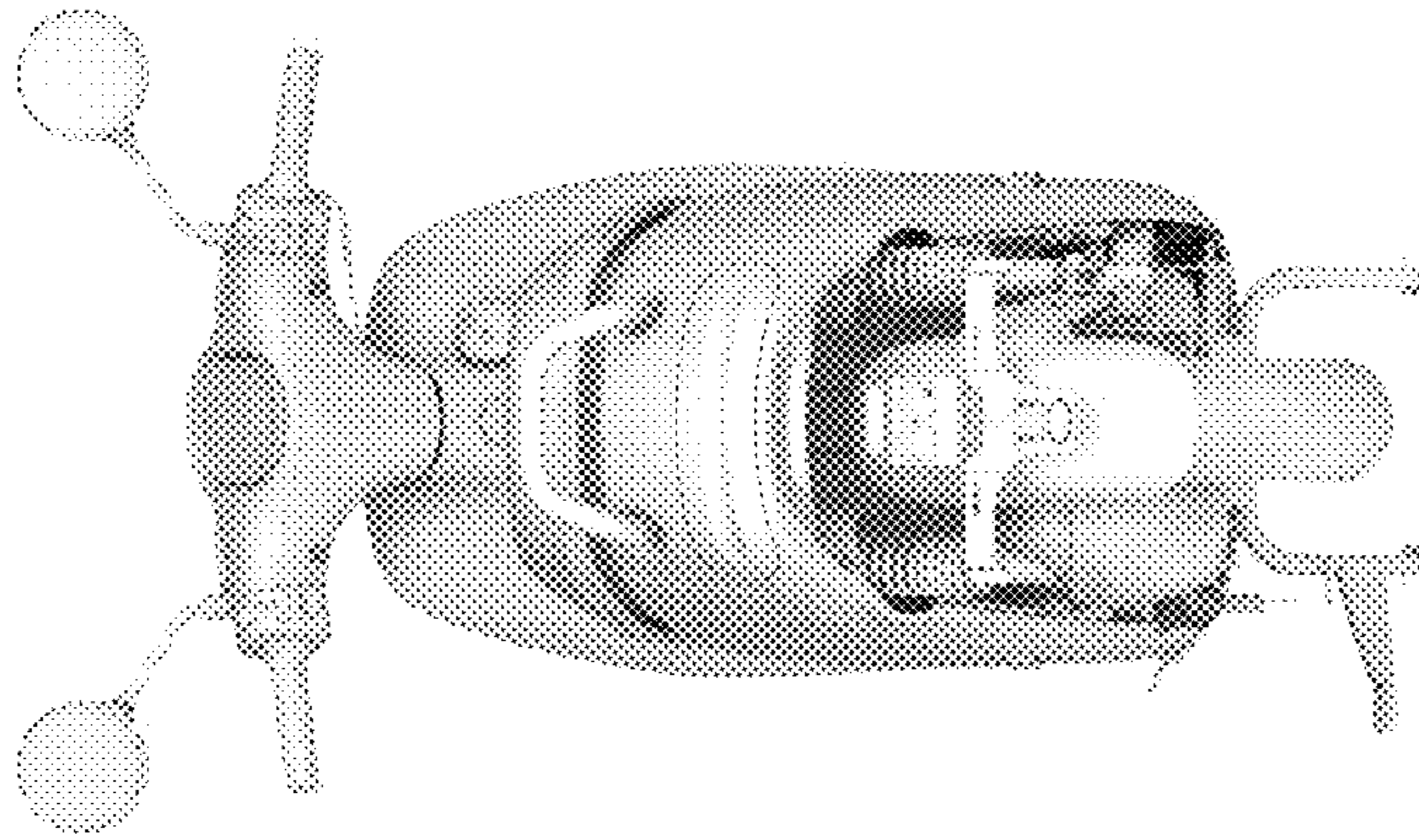
\* cited by examiner



**FIG. 1**



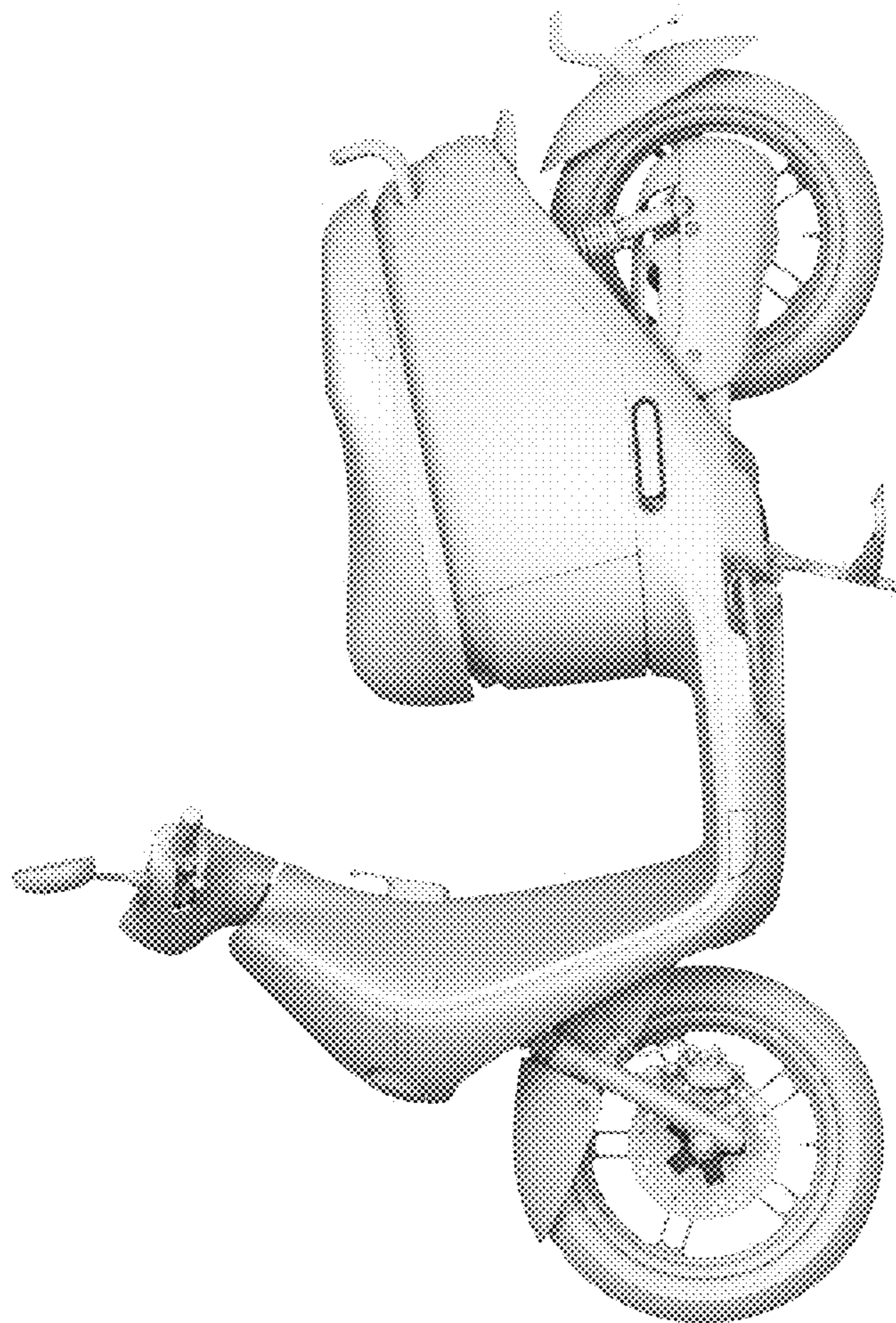
**FIG. 2**



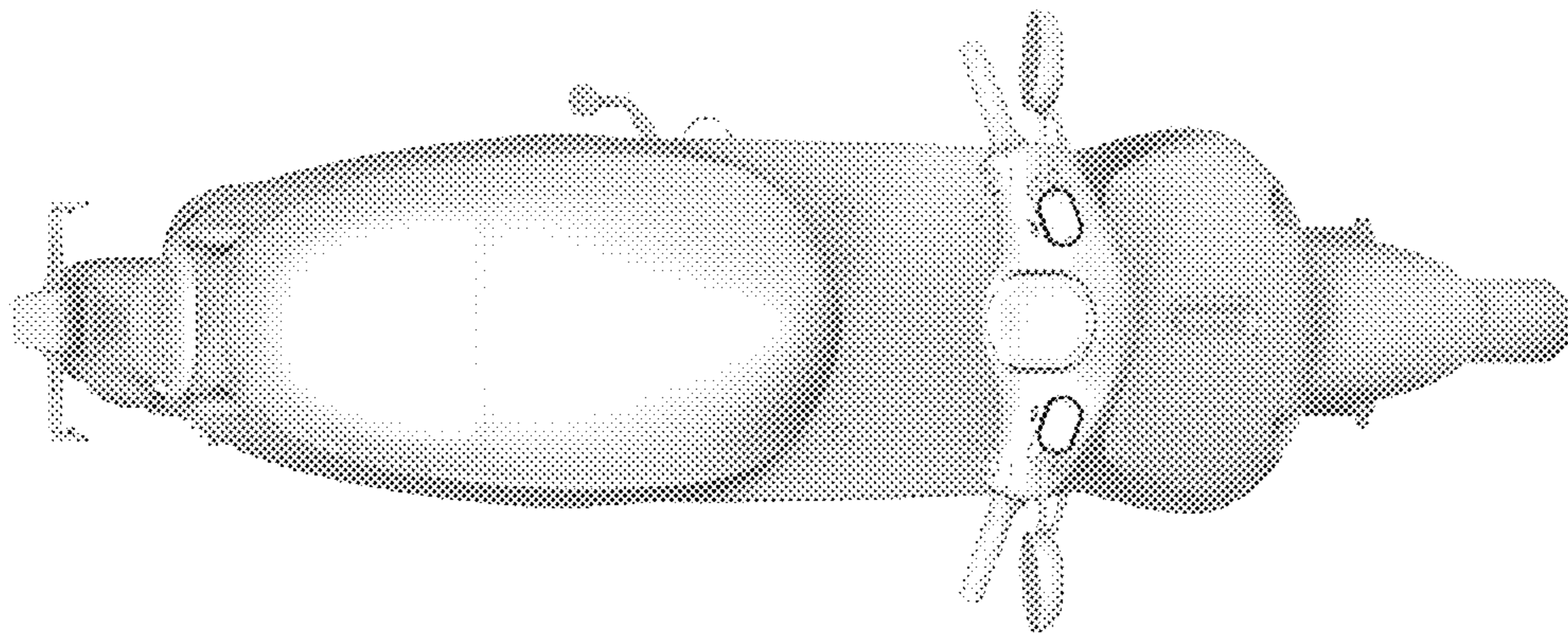
*FIG. 3*



**FIG. 4**

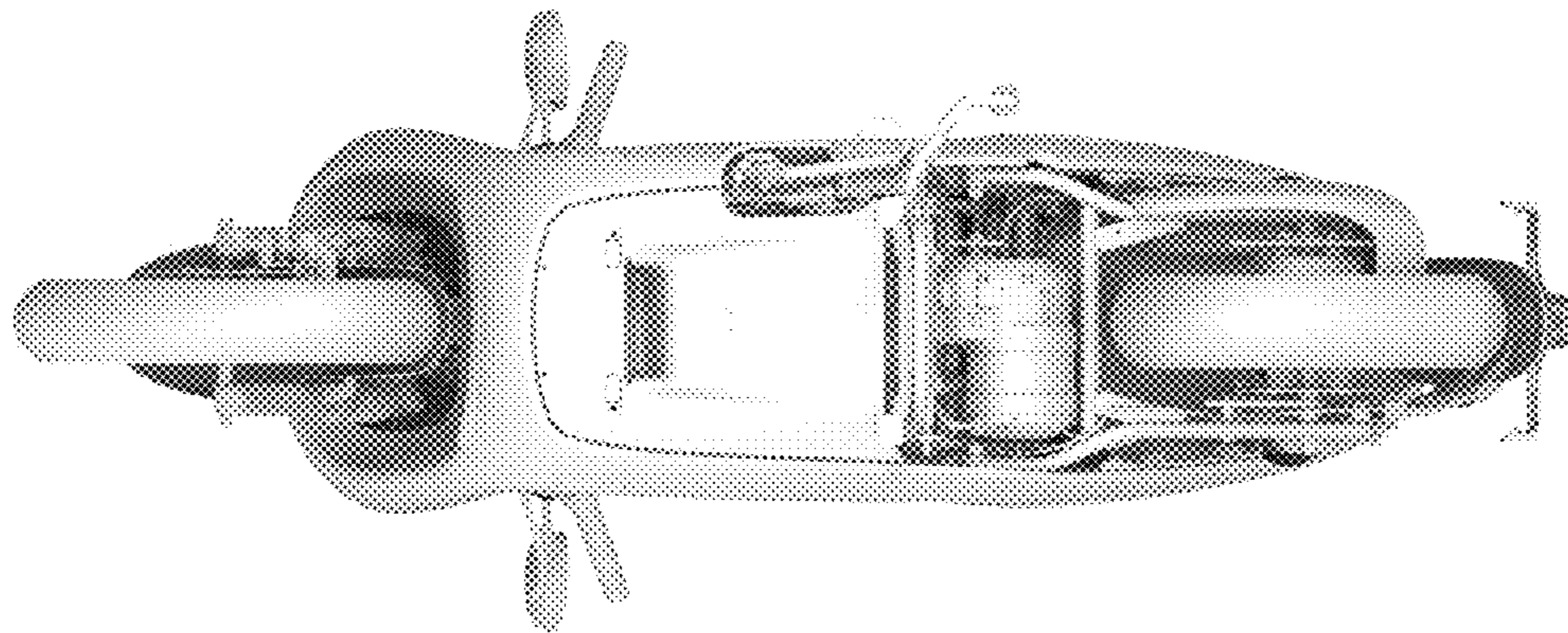


**FIG. 5**

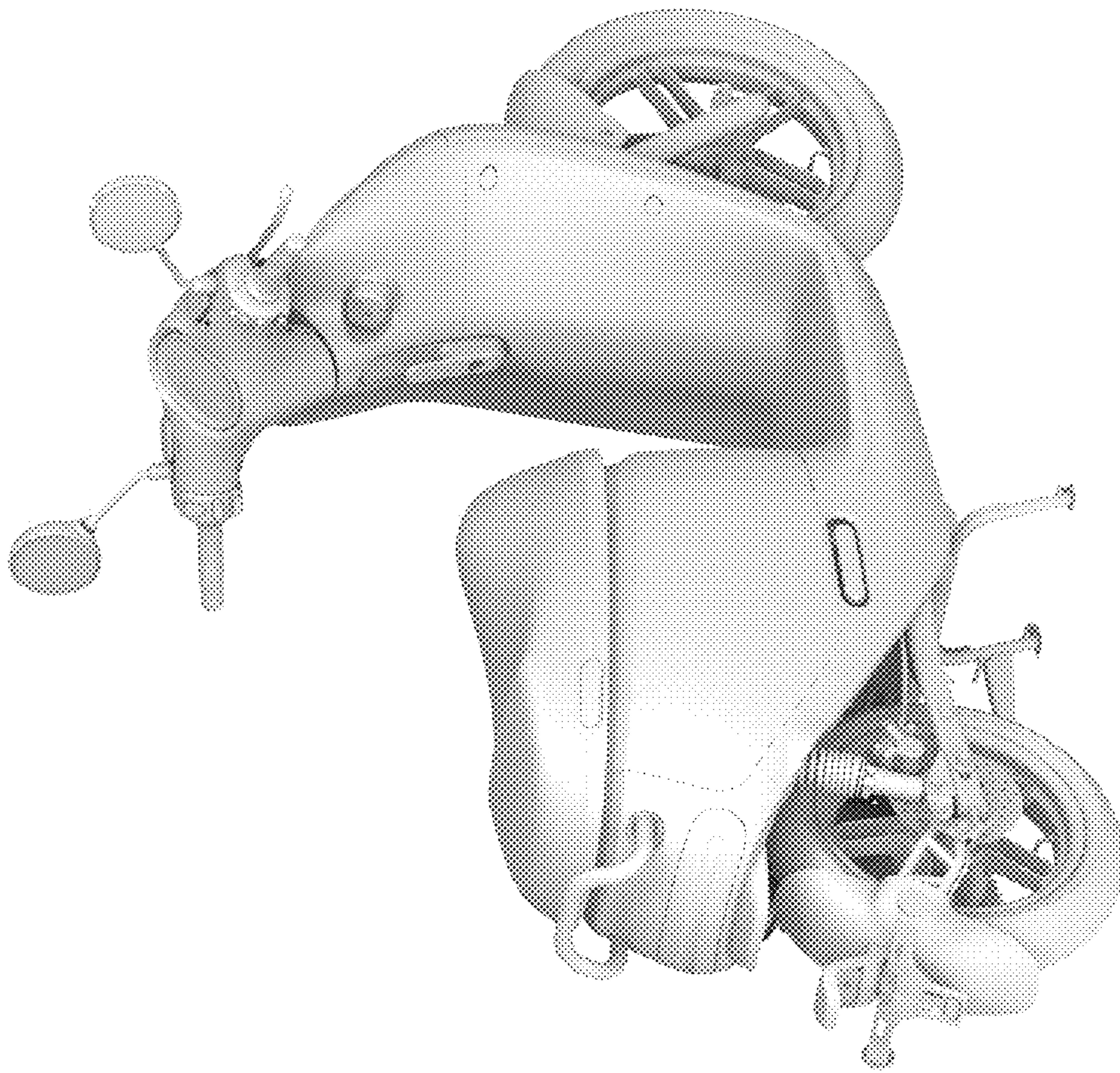


**FIG. 6**





**FIG. 7**



**FIG. 8**