



US00D874983S

(12) **United States Design Patent**
LaBrie

(10) **Patent No.:** **US D874,983 S**
(45) **Date of Patent:** **** Feb. 11, 2020**

- (54) **AUTO TRANSPORT TRAILER**
- (71) Applicant: **Sun Valley Car Carriers, Inc.**,
Phoenix, AZ (US)
- (72) Inventor: **Steven LaBrie**, Phoenix, AZ (US)
- (73) Assignee: **Sun Valley Car Carriers, Inc.**,
Phoenix, AZ (US)
- (**) Term: **15 Years**
- (21) Appl. No.: **29/654,183**
- (22) Filed: **Jun. 21, 2018**
- (51) **LOC (12) Cl.** **12-10**
- (52) **U.S. Cl.**
USPC **D12/106**
- (58) **Field of Classification Search**
USPC D12/101–106, 26–29.1, 181.5, 219,
D12/111–112, 129; 410/29.1, 24, 26;
414/482–485; 280/763.1, 764.1, 765.1,
280/204, 205; D21/425, 435; D34/2;
296/168, 180, 180.2
CPC B60P 3/08; B60P 3/04; B60P 3/32; B60P
3/2215; B60P 3/1145; B60P 3/1155;
B60P 3/1165; B62D 35/00; B62D 35/02;
B62B 3/005; B62B 3/10; B62B 3/1033;
A63H 17/00
See application file for complete search history.

- 6,497,541 B2 12/2002 Pawluk
- 6,648,578 B1 11/2003 Rouse
- 6,857,833 B1 2/2005 Rains et al.
- 6,893,205 B2 5/2005 Heim et al.
- D525,918 S 8/2006 LaBrie
- (Continued)

OTHER PUBLICATIONS

Photo of Trailer taken from an archived webpage, available at <https://web.archive.org/web/20150123180746/http://sunvalleytrailers.com:80/53ft-trailers/7-8-car-lo-pro-trailer/>, last visited Jun. 21, 2018.

Primary Examiner — Abraham Bahta
(74) *Attorney, Agent, or Firm* — Adam R. Stephenson, LTD.

(57) **CLAIM**

The ornamental design for an auto transport trailer, as shown and described.

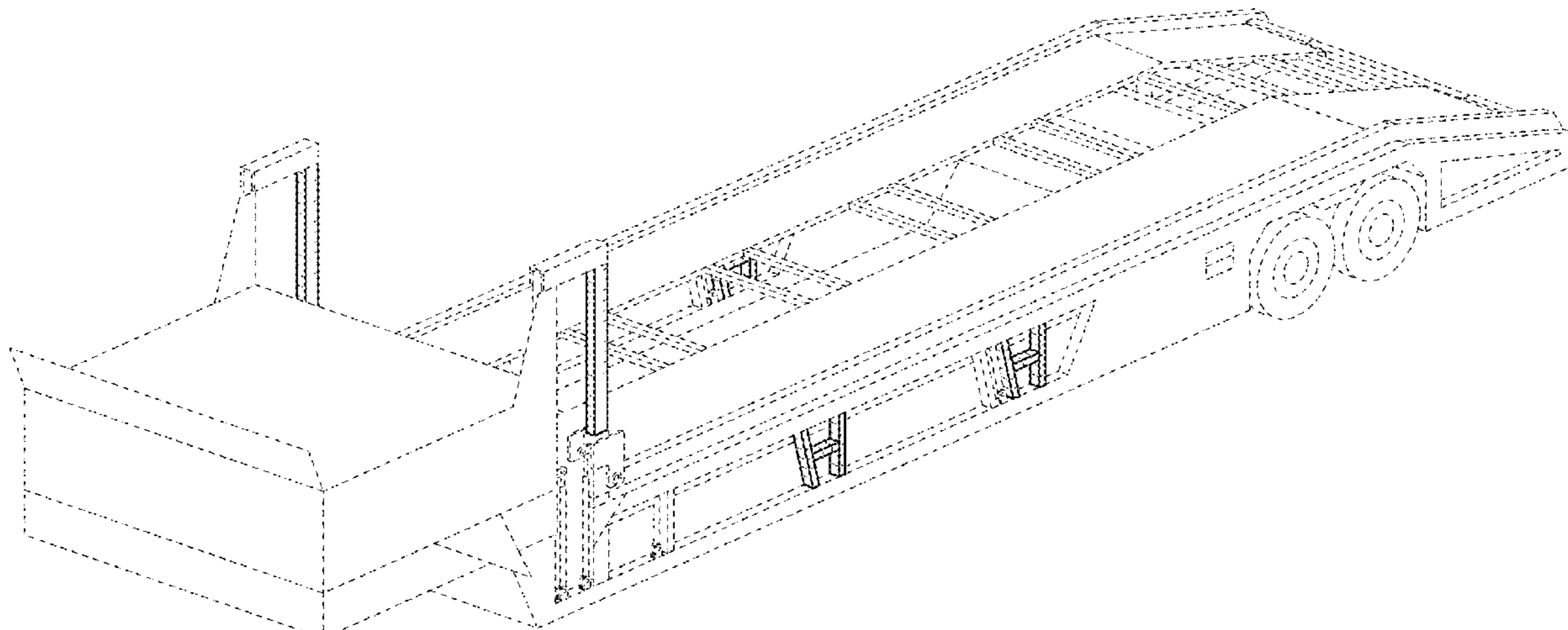
DESCRIPTION

FIG. 1 is a top perspective view of an auto transport trailer in a lowered position;
 FIG. 2 is a front view thereof;
 FIG. 3 is a rear view thereof;
 FIG. 4 is a left side view thereof, the right side being a mirror image;
 FIG. 5 is a top view thereof;
 FIG. 6 is a top perspective view of the auto transport trailer in a raised position;
 FIG. 7 is a front view thereof;
 FIG. 8 is a rear view thereof;
 FIG. 9 is a left side view thereof, the right side being a mirror image; and,
 FIG. 10 is a top view thereof.

The broken line showing of the auto transport trailer is for the purpose of illustrating portions of the article and forms no part of the claimed design. All sides not shown form no part of the claimed design.

1 Claim, 8 Drawing Sheets

- (56) **References Cited**
U.S. PATENT DOCUMENTS
- D239,707 S 4/1976 Grimaldo
- D317,735 S 6/1991 Andrews
- 5,213,458 A 5/1993 Preller et al.
- 5,527,138 A 6/1996 Flores et al.
- 5,676,507 A * 10/1997 Lugo B60P 3/08
410/24
- 5,853,280 A 12/1998 Lohr
- 6,345,943 B1 * 2/2002 Lawson B60P 3/08
410/14
- 6,361,256 B1 3/2002 Kaufman



(56)

References Cited

U.S. PATENT DOCUMENTS

D674,320 S * 1/2013 Booher D12/106
D778,787 S * 2/2017 Hackett D12/106
D848,903 S * 5/2019 Armigliato D12/102

* cited by examiner

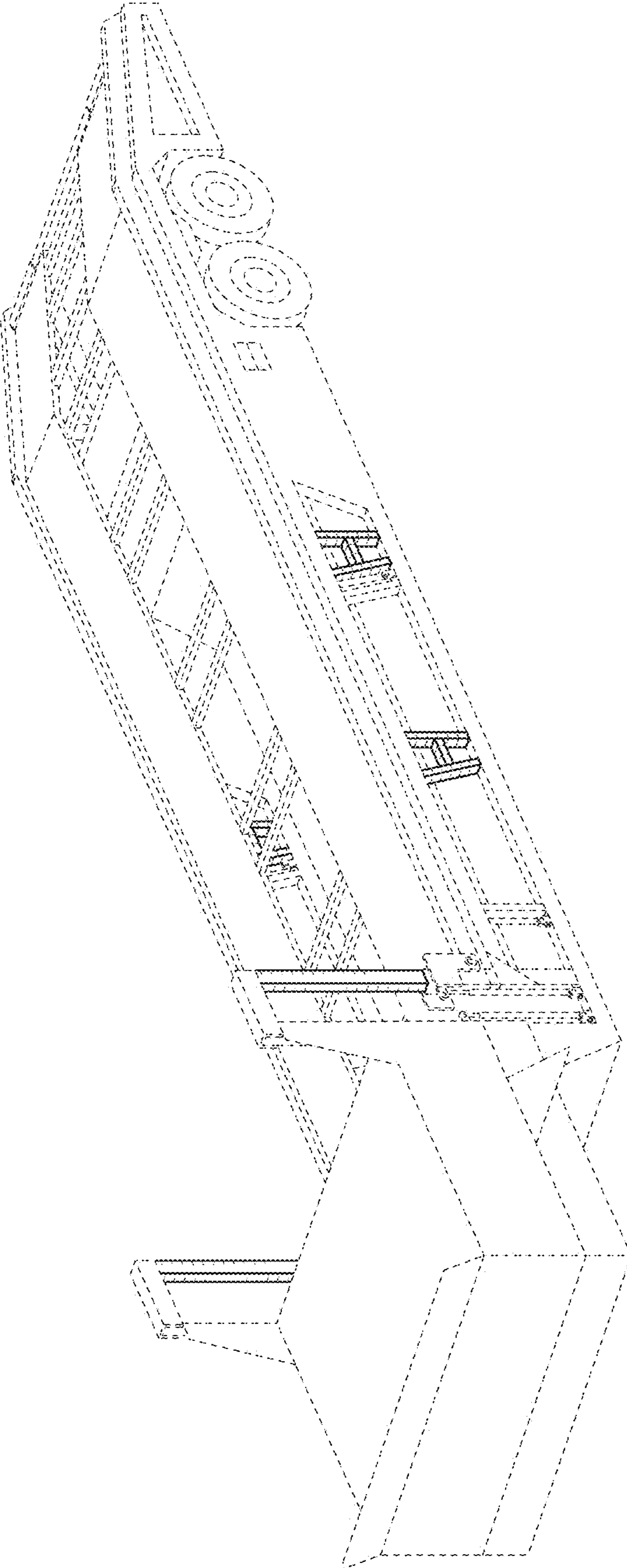


FIG. 1

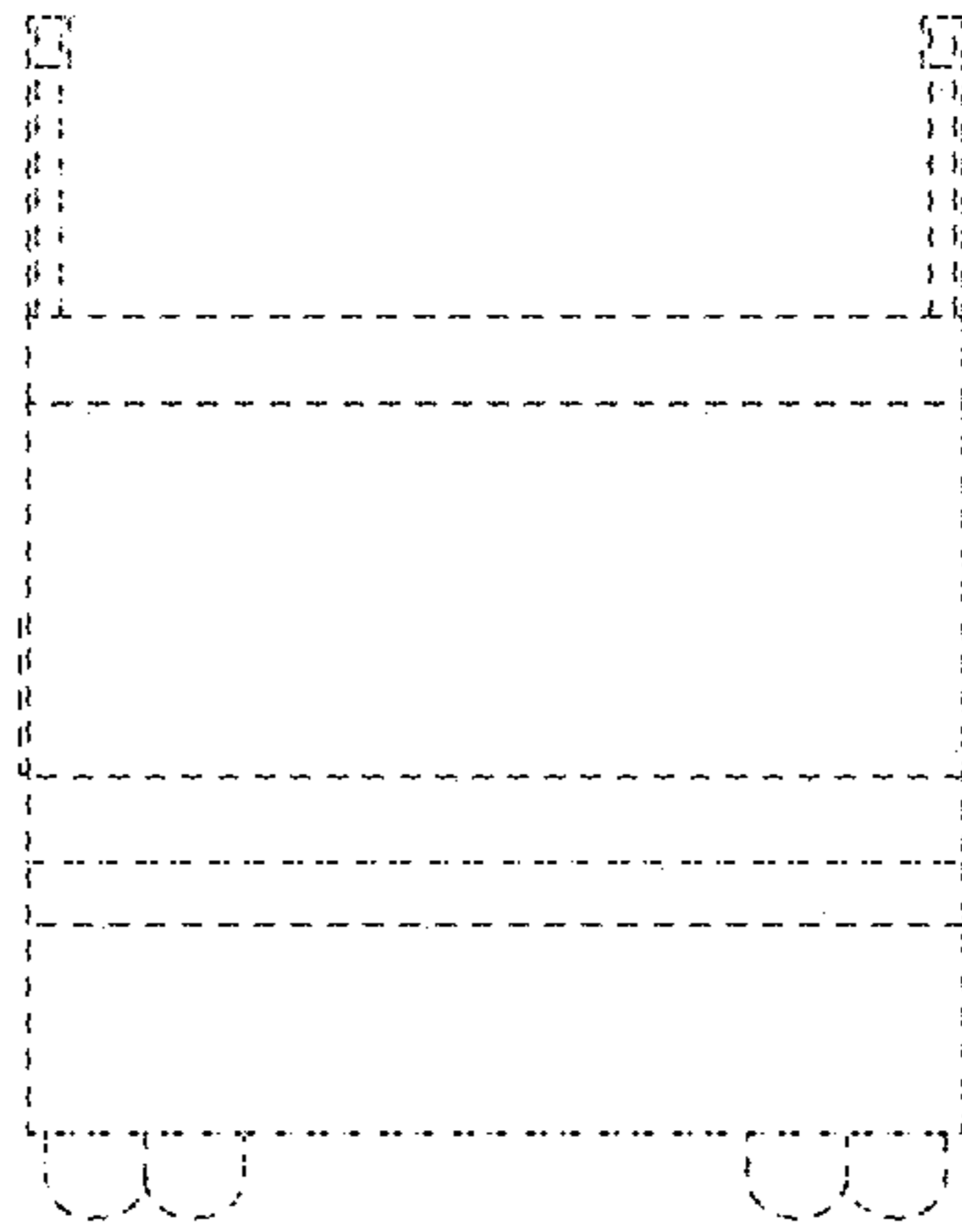


FIG. 2

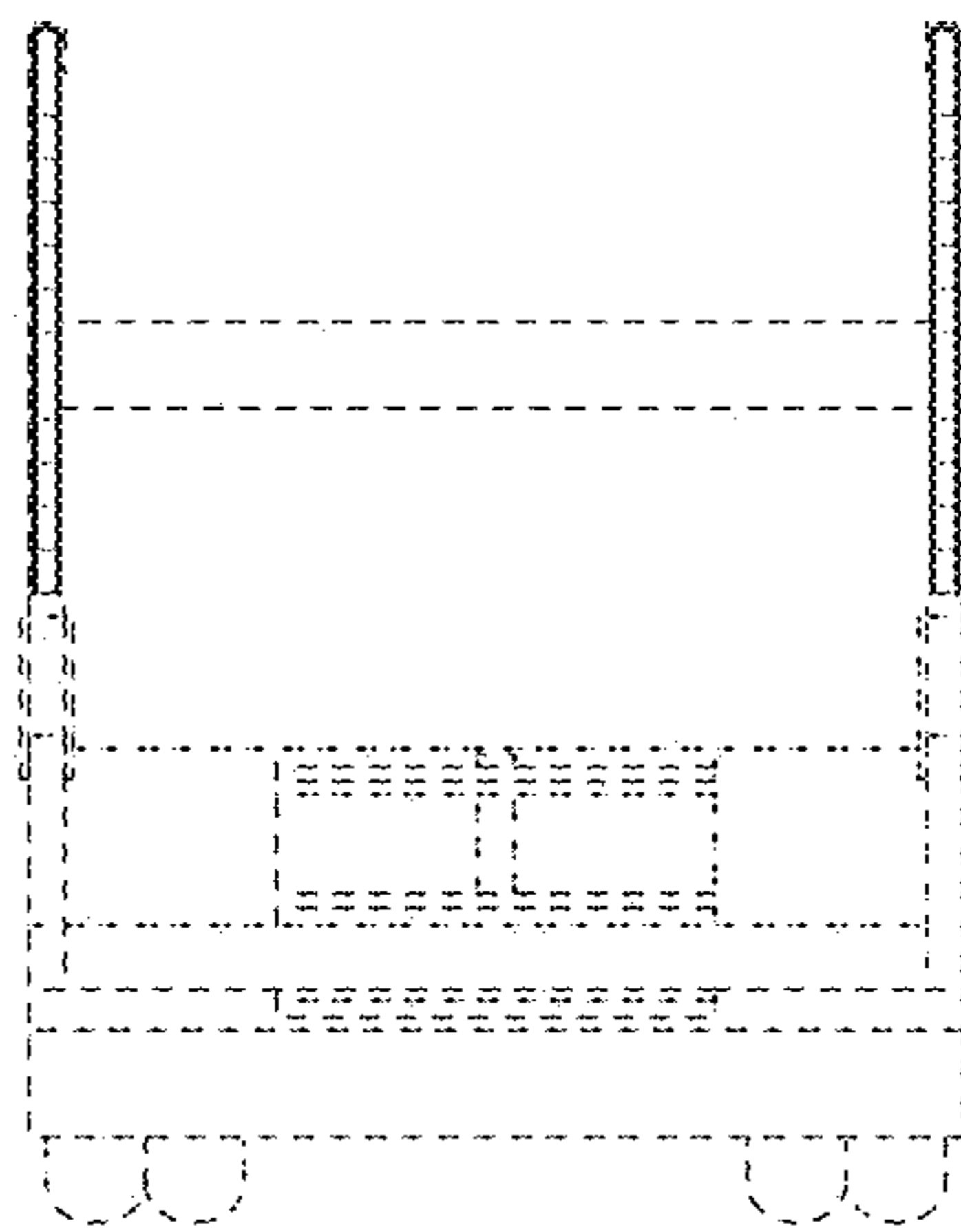


FIG. 3

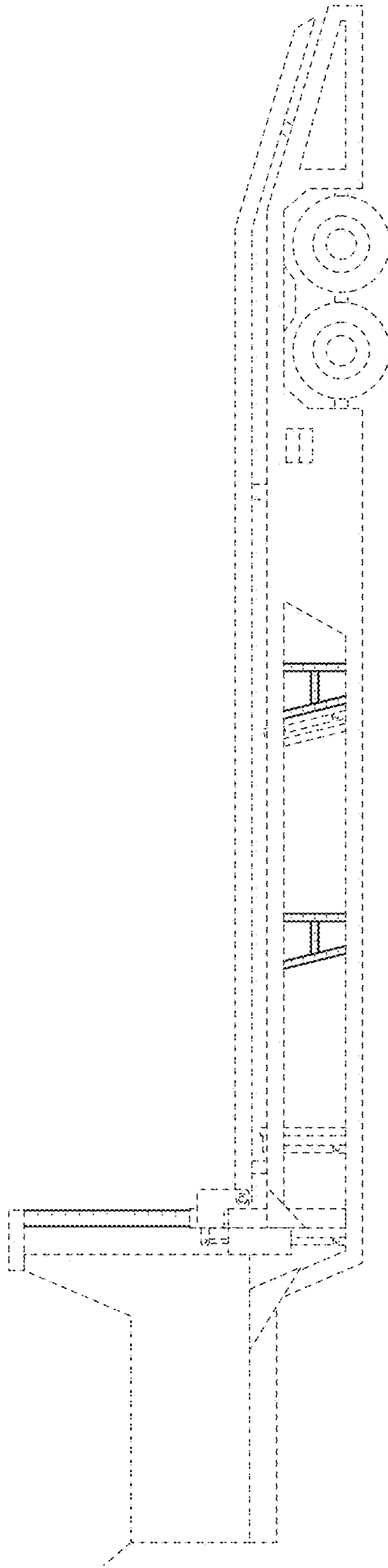


FIG. 4

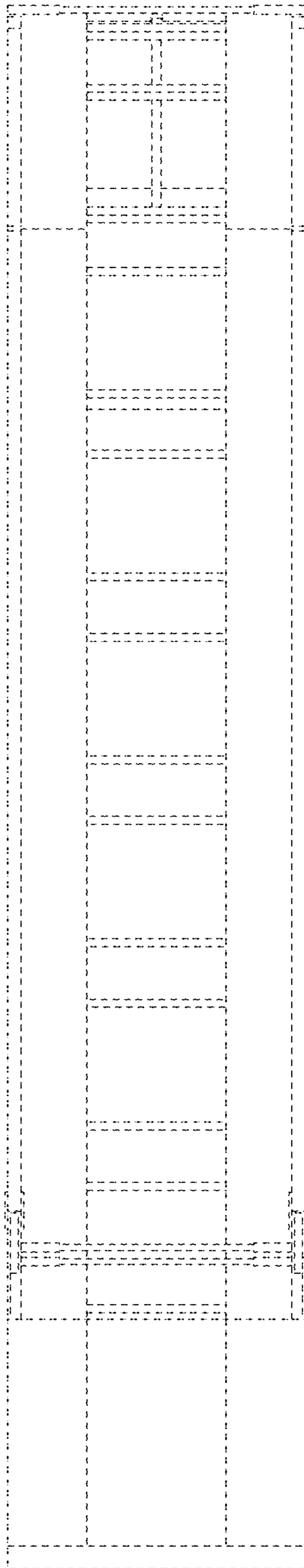


FIG. 5

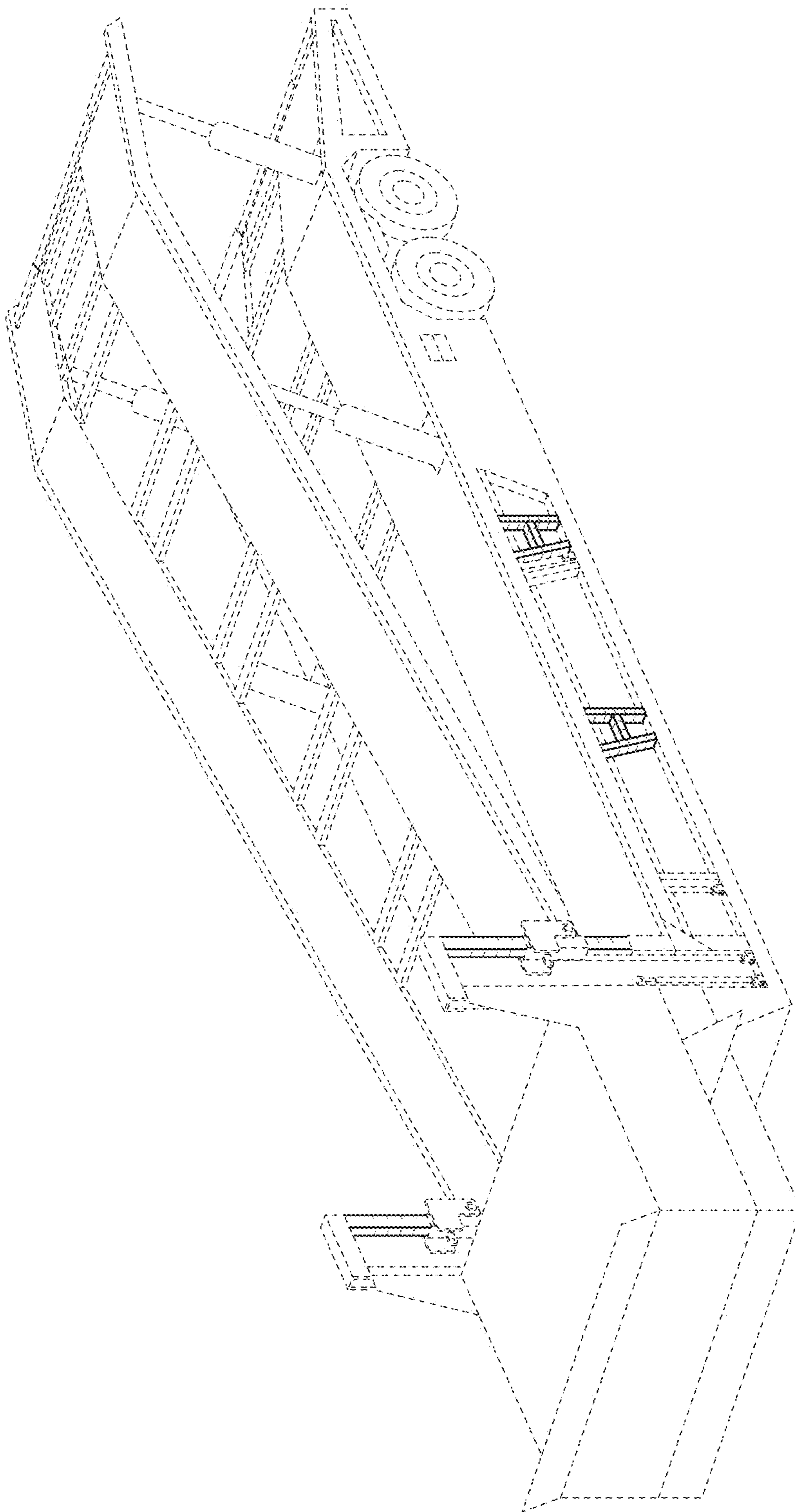


FIG. 6

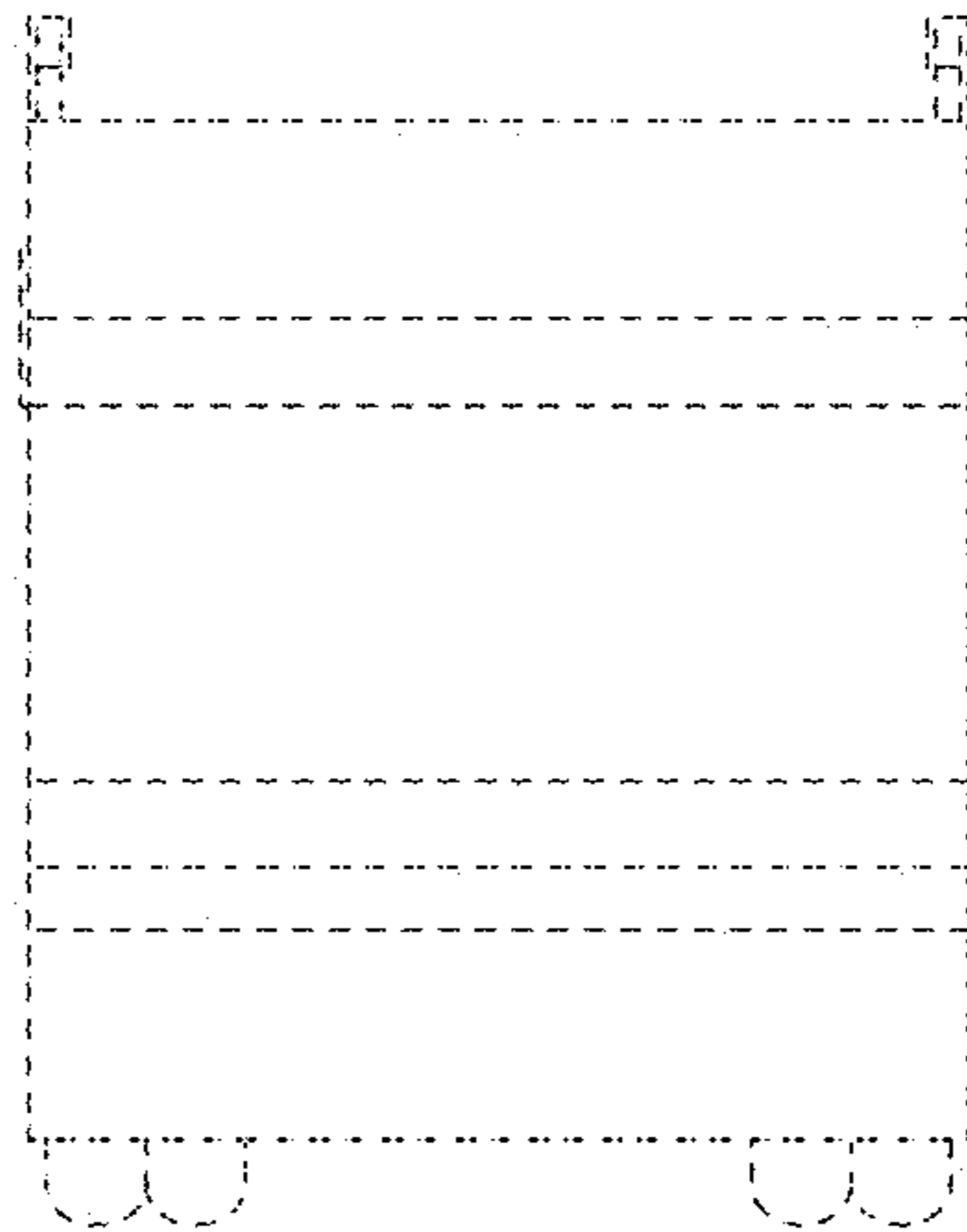


FIG. 7

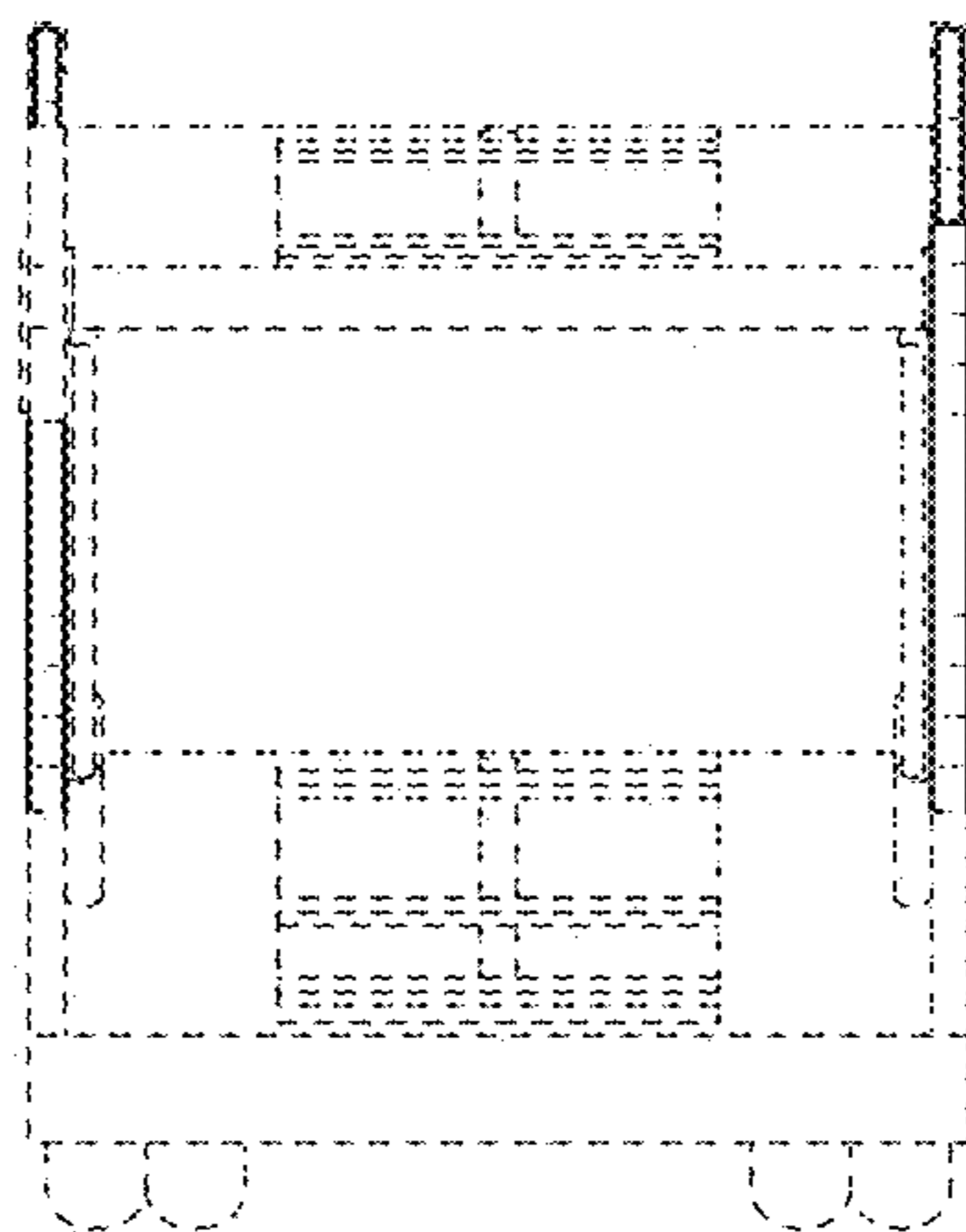


FIG. 8

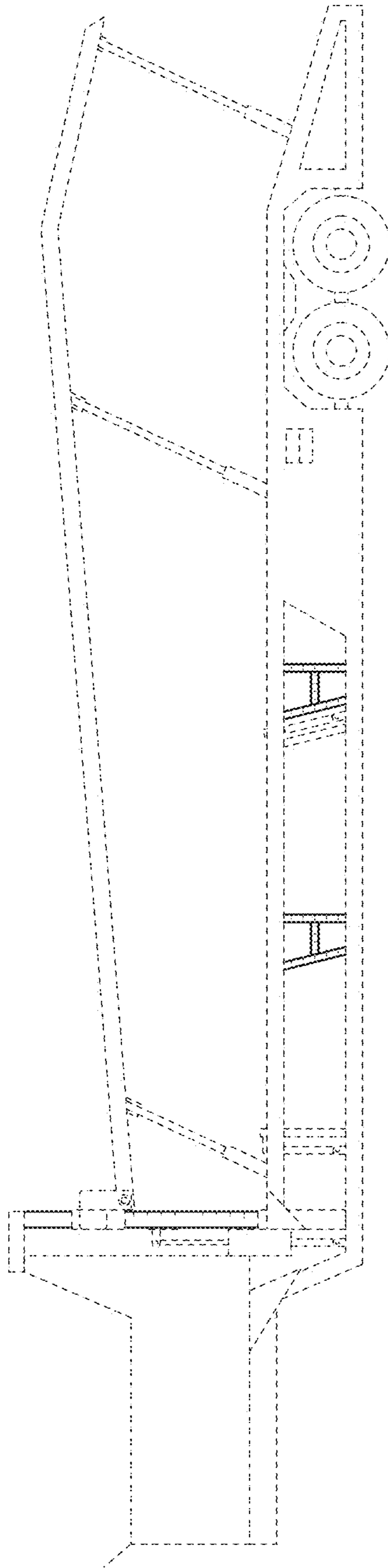


FIG. 9

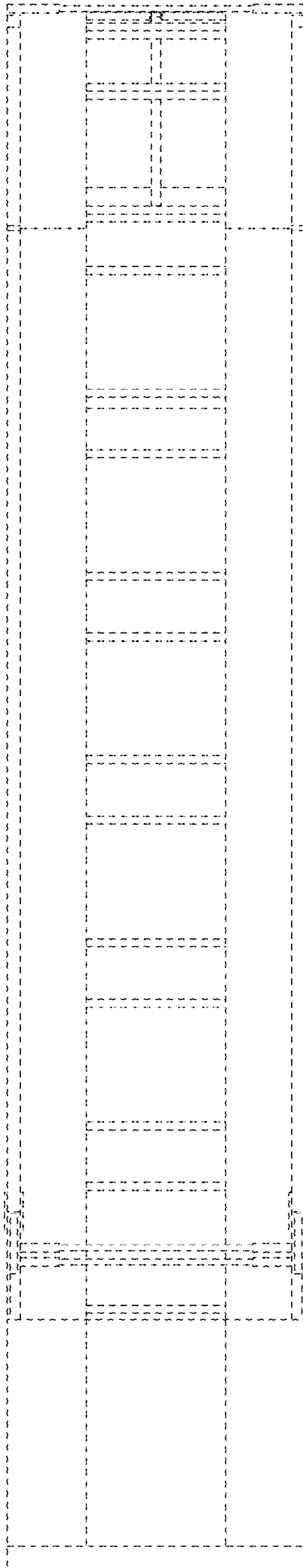


FIG. 10