



US00D874979S

(12) **United States Design Patent**
Crijns

(10) **Patent No.:** **US D874,979 S**

(45) **Date of Patent:** **** Feb. 11, 2020**

- (54) **CAR**
- (71) Applicant: **McLaren Automotive Limited**,
Woking, Surrey (GB)
- (72) Inventor: **Steve Crijns**, Surrey (GB)
- (73) Assignee: **McLaren Automotive Limited**,
Woking, Surrey (GB)

D734,212 S	7/2015	Stephenson	
D734,213 S	7/2015	Stephenson	
D767,446 S	9/2016	Stephenson	
D772,106 S	* 11/2016	Hitzinger	D12/88
D774,947 S	12/2016	Anscheidt et al.	
D780,063 S	2/2017	Stephenson	
D781,747 S	3/2017	Stephenson	
D790,398 S	* 6/2017	Perini	D12/88
D790,402 S	* 6/2017	Perini	D12/88
D801,227 S	* 10/2017	Stephenson	D12/88
D804,355 S	12/2017	Stephenson	
D823,724 S	7/2018	Melville et al.	
D844,488 S	* 4/2019	Melville	D12/88
D845,170 S	* 4/2019	Melville	D12/88

- (**) Term: **15 Years**
- (21) Appl. No.: **29/662,381**

* cited by examiner

- (22) Filed: **Sep. 5, 2018**

Primary Examiner — Melody N Brown

- (30) **Foreign Application Priority Data**

(74) *Attorney, Agent, or Firm* — Wolf, Greenfield & Sacks, P.C.

Mar. 6, 2018 (GB) 6029384

- (51) **LOC (12) Cl.** **12-08**
- (52) **U.S. Cl.**
USPC **D12/88**

(57) **CLAIM**

The ornamental design for a car, as shown and described.

- (58) **Field of Classification Search**
USPC D12/86, 90–92, 88; D21/424, 433, 434,
D21/533; 296/181.1–181.5, 183.1
CPC B62D 25/00; B62D 25/06; B62D 33/00;
B62D 35/00
See application file for complete search history.

DESCRIPTION

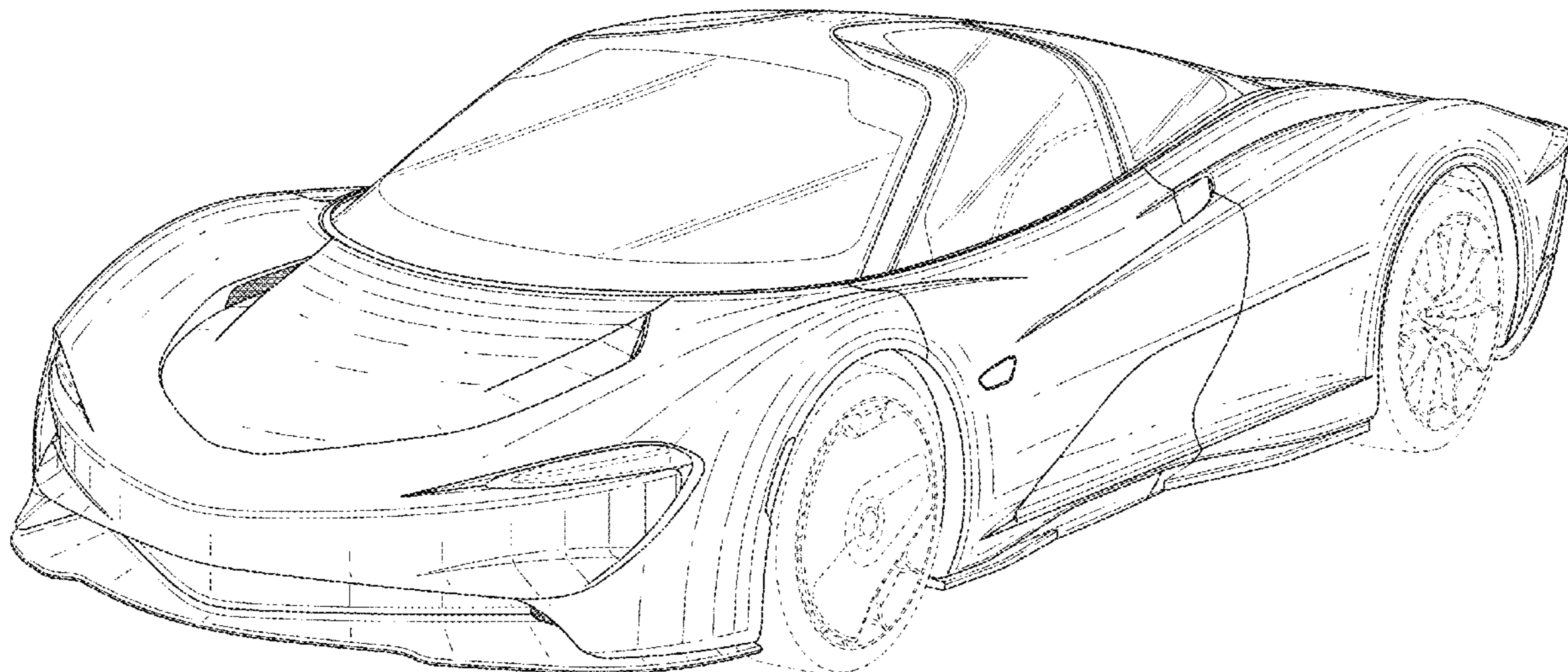
FIG. 1 is a top, front, right side perspective view of a car, showing our new design;
 FIG. 2 is a top, rear, right side perspective view thereof;
 FIG. 3 is a right side elevation view thereof;
 FIG. 4 is a left side elevation view thereof;
 FIG. 5 is a front elevation view thereof;
 FIG. 6 is a rear elevation view thereof; and,
 FIG. 7 is a top plan view thereof.
 The broken lines illustrate portions of the car that form no part of the claimed design.

- (56) **References Cited**

U.S. PATENT DOCUMENTS

D628,124 S	11/2010	Stephenson	
D715,690 S	* 10/2014	Perini	D12/88
D717,211 S	11/2014	Stephenson	

1 Claim, 6 Drawing Sheets



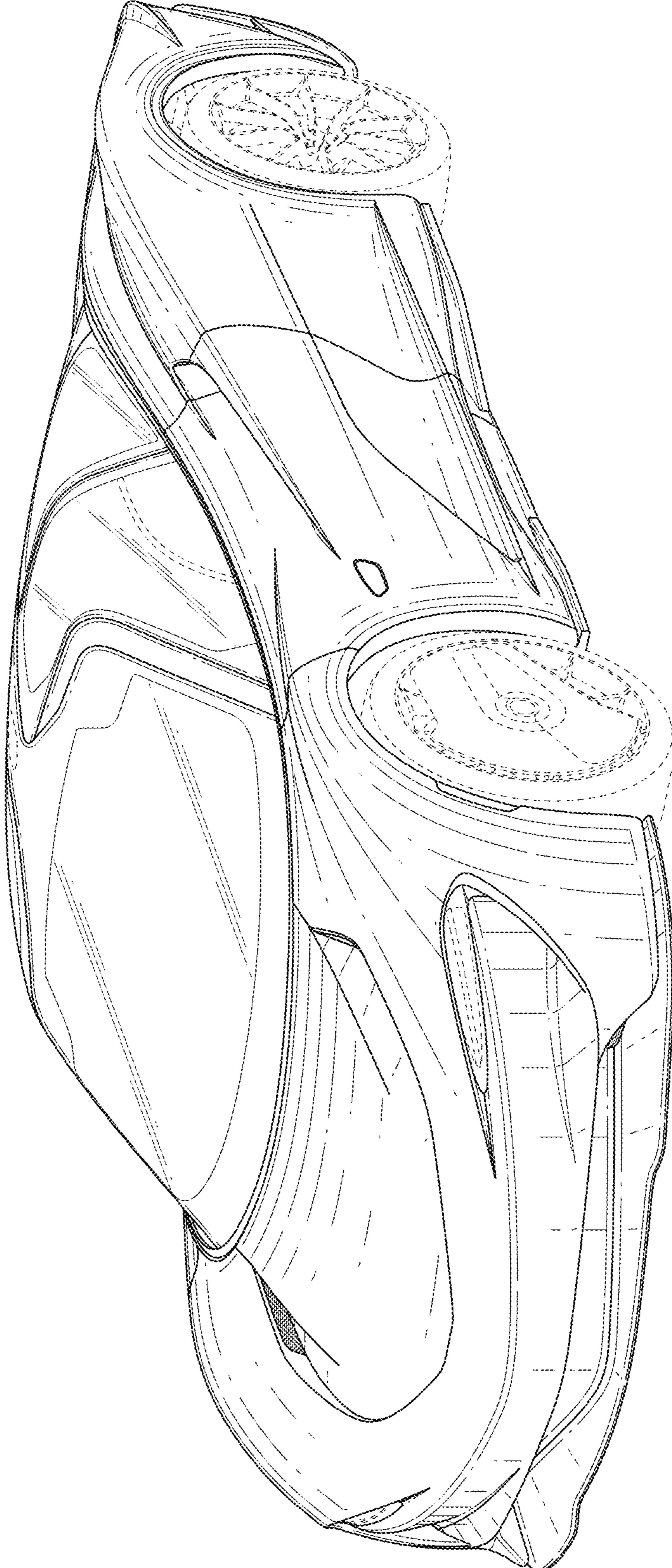


FIG. 1

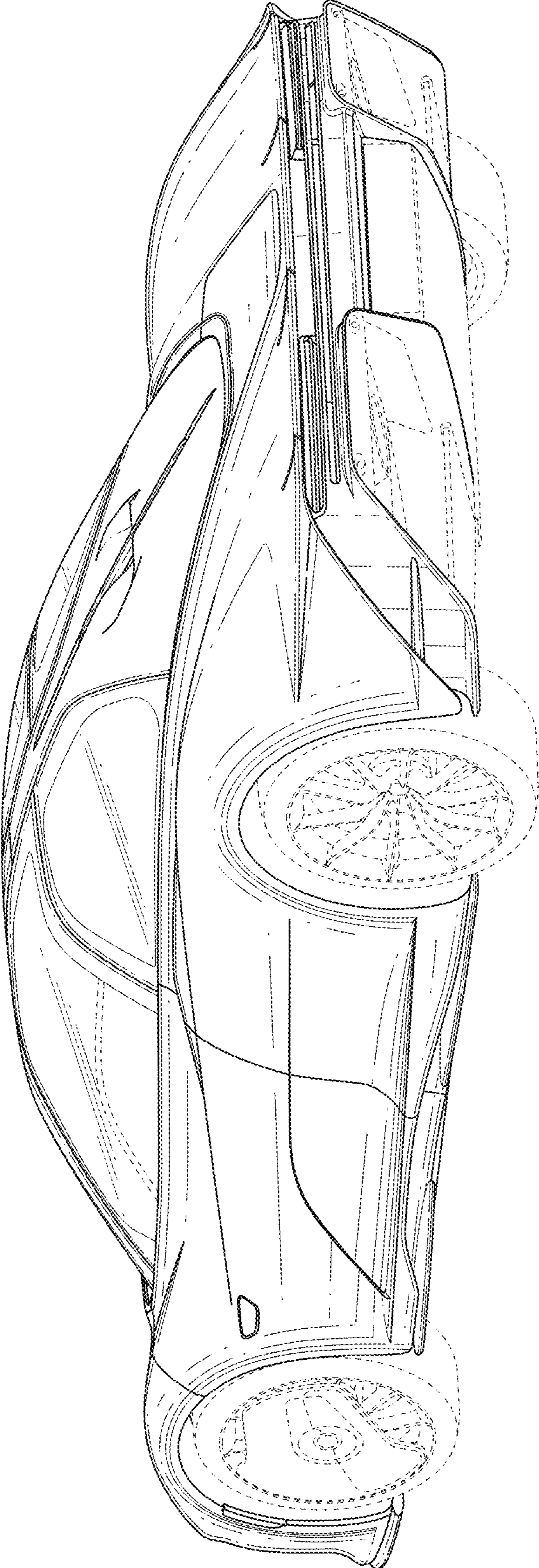


FIG. 2

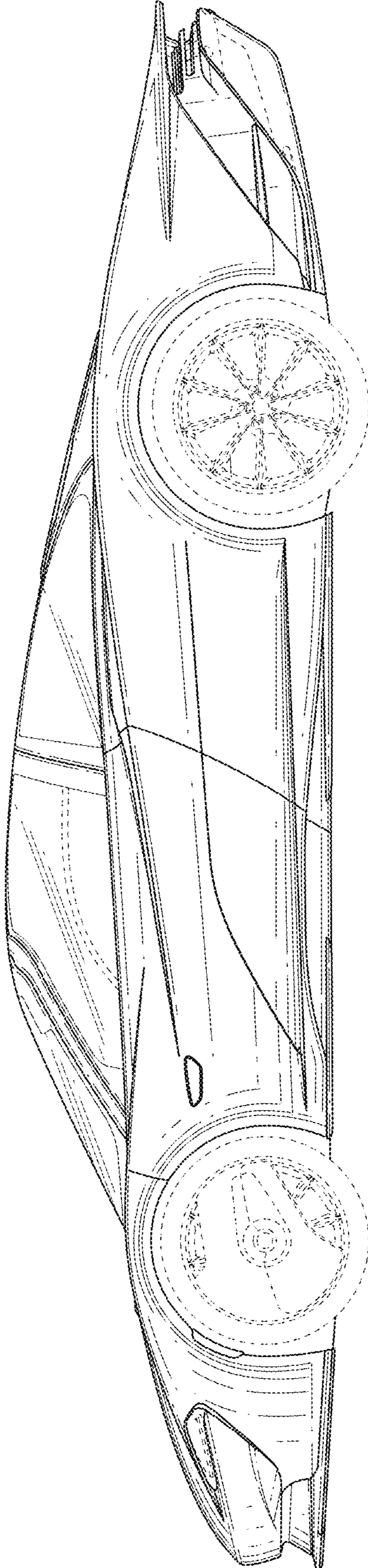


FIG. 3

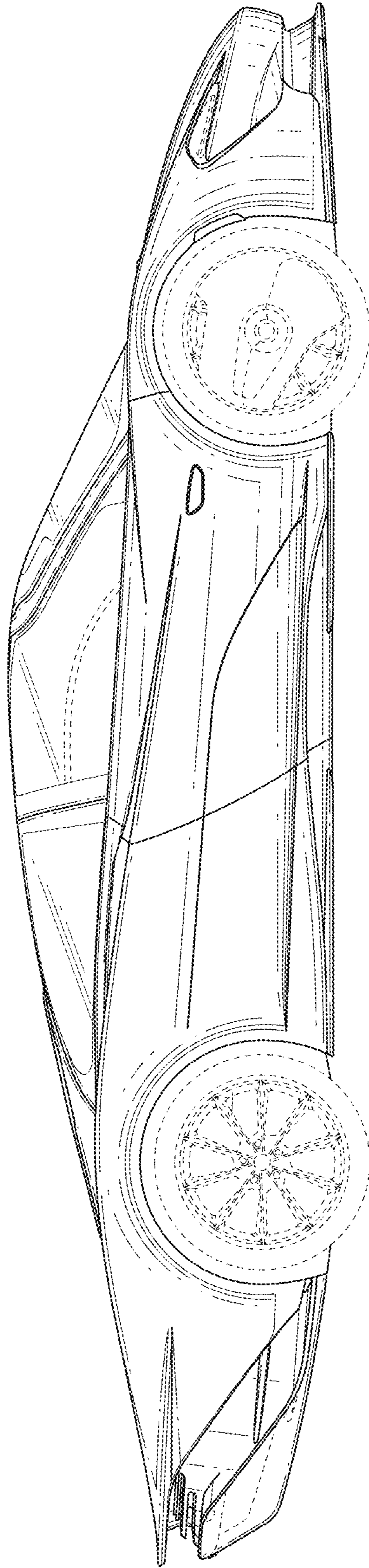


FIG. 4

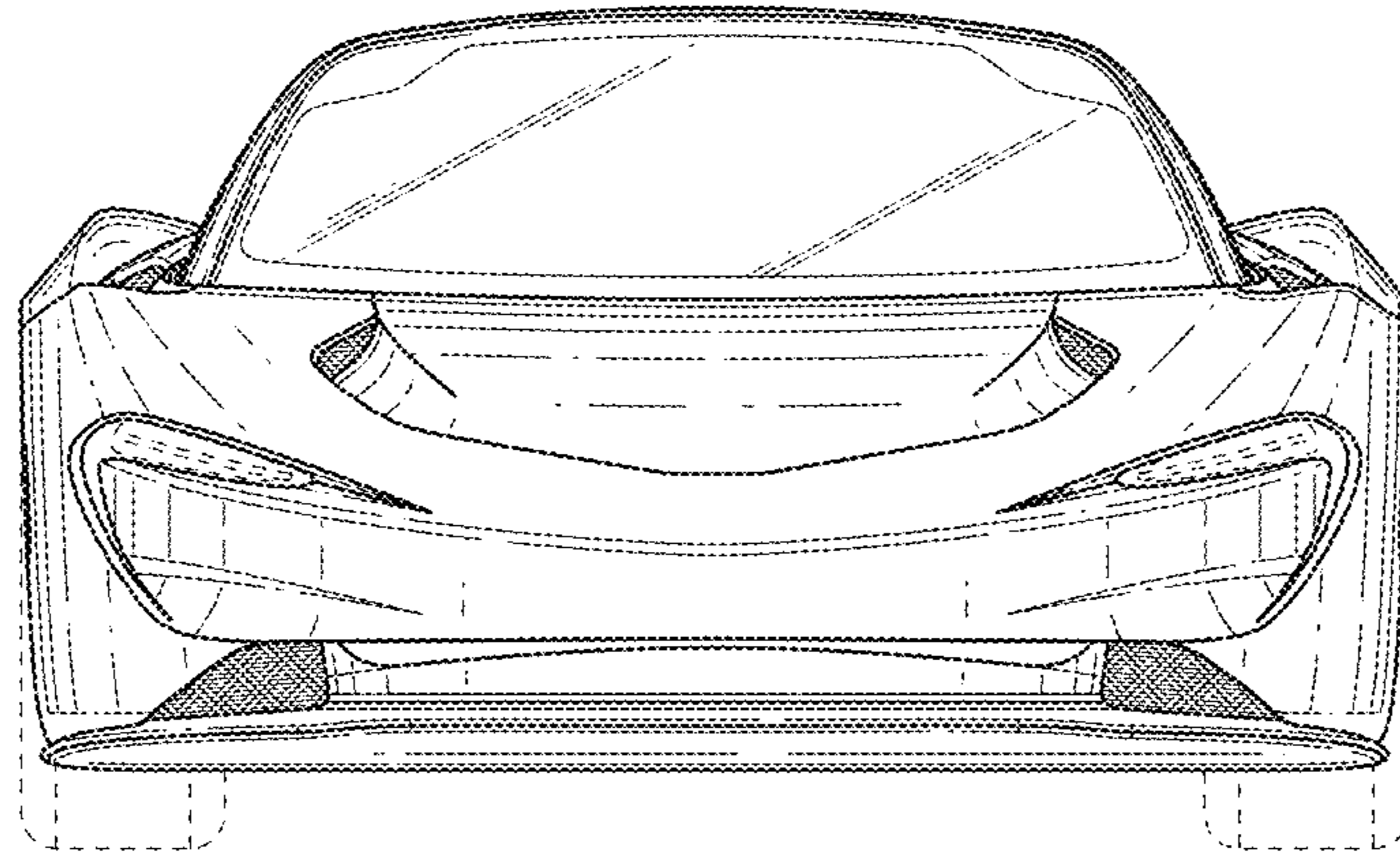


FIG. 5

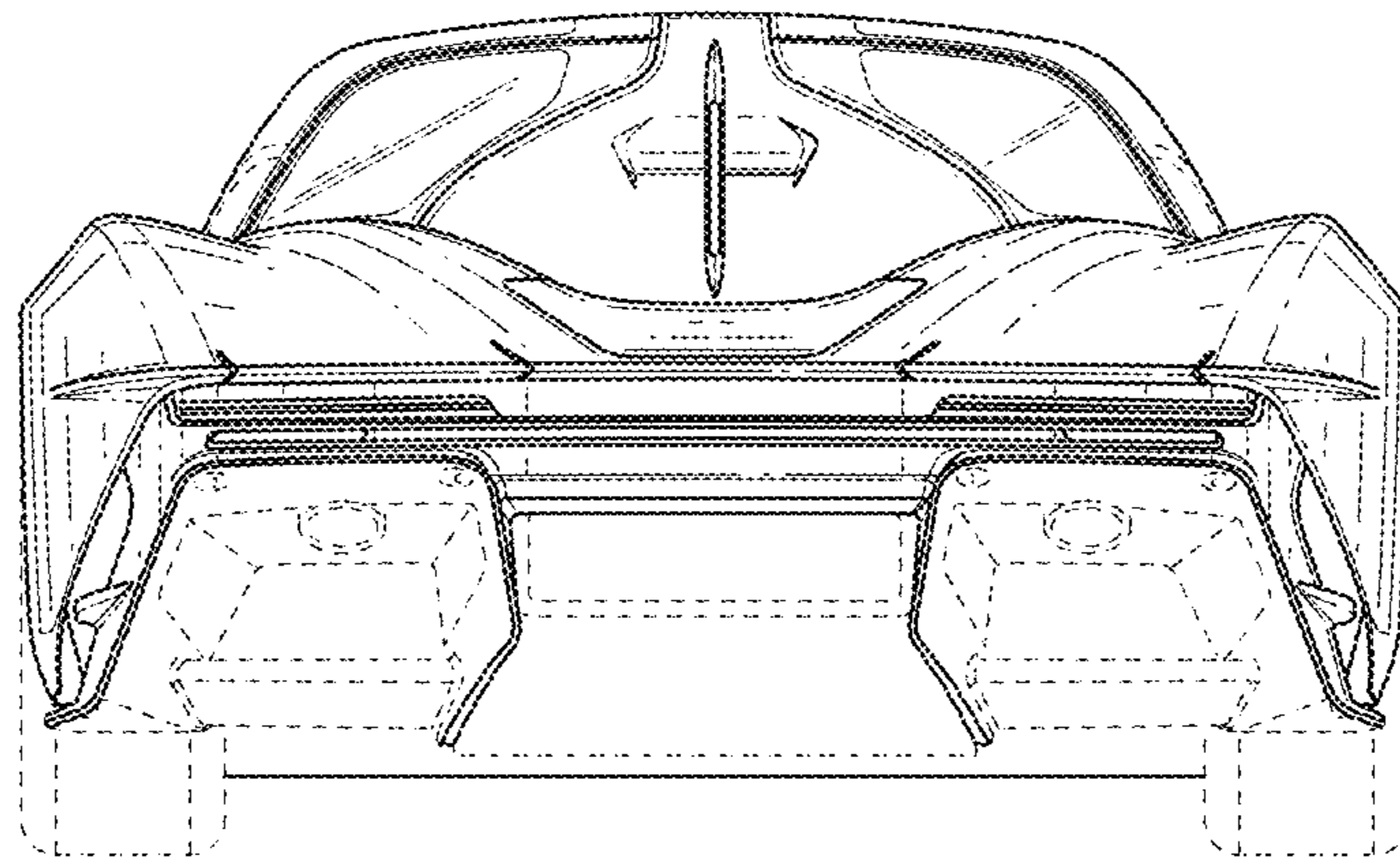


FIG. 6

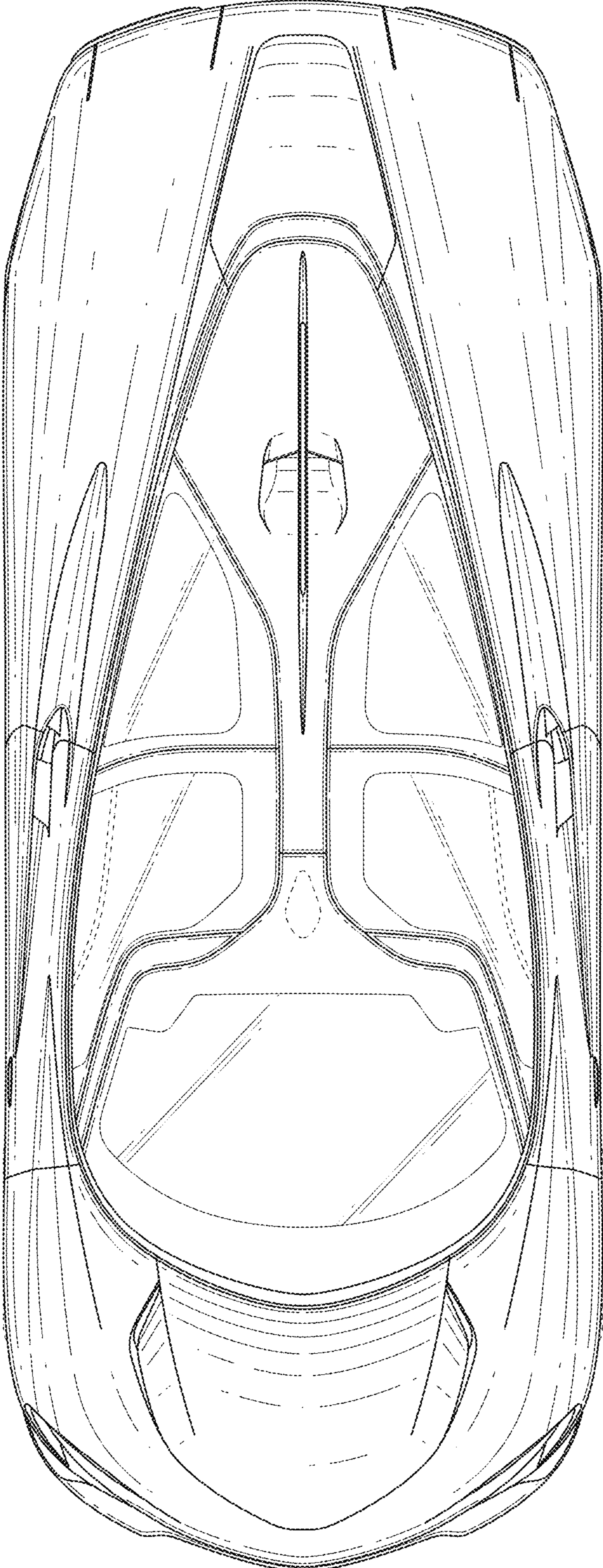


FIG. 7