



US00D874975S

(12) **United States Design Patent** (10) **Patent No.:** **US D874,975 S**  
**Okonsky et al.** (45) **Date of Patent:** **\*\* Feb. 11, 2020**

- (54) **ELECTRIC VEHICLE**
- (71) Applicant: **AEV Technologies, Inc.**, Round Rock, TX (US)
- (72) Inventors: **Christian Okonsky**, Austin, TX (US); **Darren McKeage**, Calgary (CA)
- (73) Assignee: **AYRO, INC.**, Round Rock, TX (US)
- (\*\*) Term: **15 Years**
- (21) Appl. No.: **29/653,522**
- (22) Filed: **Jun. 15, 2018**
- (51) **LOC (12) Cl.** ..... **12-08**
- (52) **U.S. Cl.**  
USPC ..... **D12/85**
- (58) **Field of Classification Search**  
USPC ..... D12/85, 86, 107, 131; D21/424, 433, D21/434  
CPC ..... B62D 21/11; B62D 29/043; B62D 31/00; B62D 49/00; B62D 61/065; B62L 3/00; B62K 3/005; B62K 5/01; B62K 5/08; B62K 5/027  
See application file for complete search history.

D424,979 S *	5/2000	Hanagan	.....	D12/85
D427,548 S *	7/2000	Sacco	.....	D12/85
D449,018 S *	10/2001	Musser	.....	D12/85
D469,037 S *	1/2003	Hanagan	.....	D12/85
D584,188 S *	1/2009	Jenkins	.....	D12/85
D589,844 S *	4/2009	Aube	.....	D12/85
D592,547 S *	5/2009	Riley	.....	D12/85
D592,548 S *	5/2009	Aube	.....	D12/85
D613,203 S *	4/2010	Geslin	.....	D12/85
D626,032 S *	10/2010	Starr	.....	D12/85
D633,821 S *	3/2011	Hill	.....	D12/85
D666,127 S *	8/2012	Nam	.....	D12/85
D678,124 S *	3/2013	Canni	.....	D12/85
D682,158 S *	5/2013	Canni	.....	D12/85
2012/0241239 A1 *	9/2012	Holroyd	.....	B62K 5/05 180/210

\* cited by examiner

*Primary Examiner* — Darlington Ly

(74) *Attorney, Agent, or Firm* — Akerman LLP; Mammen P. “Roy” Zachariah, Jr.

(57) **CLAIM**

The ornamental design for an electric vehicle, as shown and described.

**DESCRIPTION**

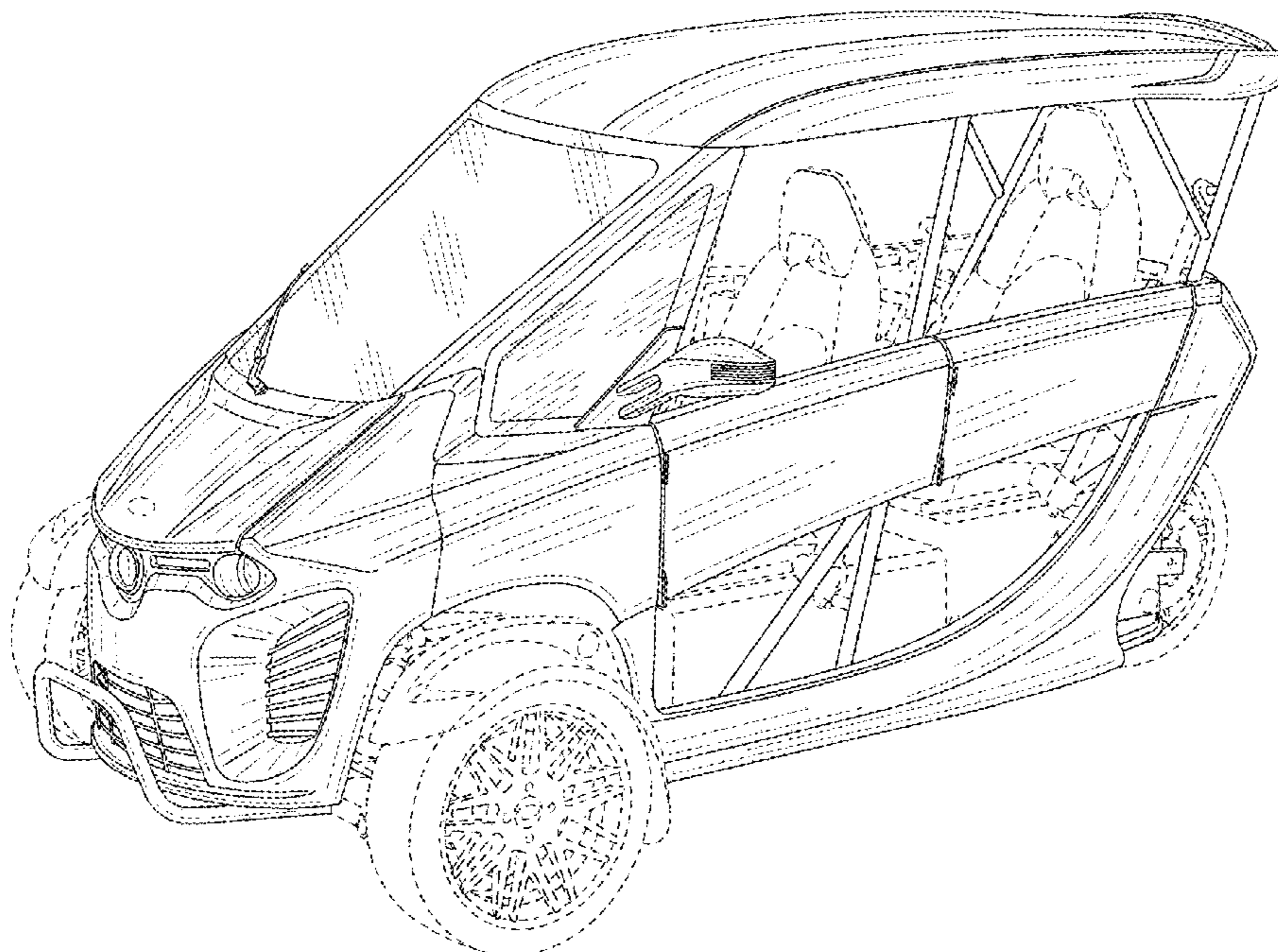
FIG. 1 is a front elevation view of an electric vehicle showing our new design;  
 FIG. 2 is a rear elevation view thereof;  
 FIG. 3 is a right side elevation view thereof;  
 FIG. 4 is a left side elevation view thereof;  
 FIG. 5 is a top plan view thereof;  
 FIG. 6 is a front and left side perspective view thereof; and,  
 FIG. 7 is a rear and right side perspective view thereof.  
 The broken lines in the drawings illustrate portions of the electric vehicle that form no part of the claimed design.

**1 Claim, 7 Drawing Sheets**

(56) **References Cited**

**U.S. PATENT DOCUMENTS**

D260,871 S *	9/1981	Cargile	.....	D12/85
4,573,546 A *	3/1986	Irimajiri	.....	B62D 61/065 180/211
4,703,824 A *	11/1987	Irimajiri	.....	B62D 61/065 180/210
D404,688 S *	1/1999	Hanagan	.....	D12/85
6,015,022 A *	1/2000	Thuliez	.....	B62D 21/04 180/210



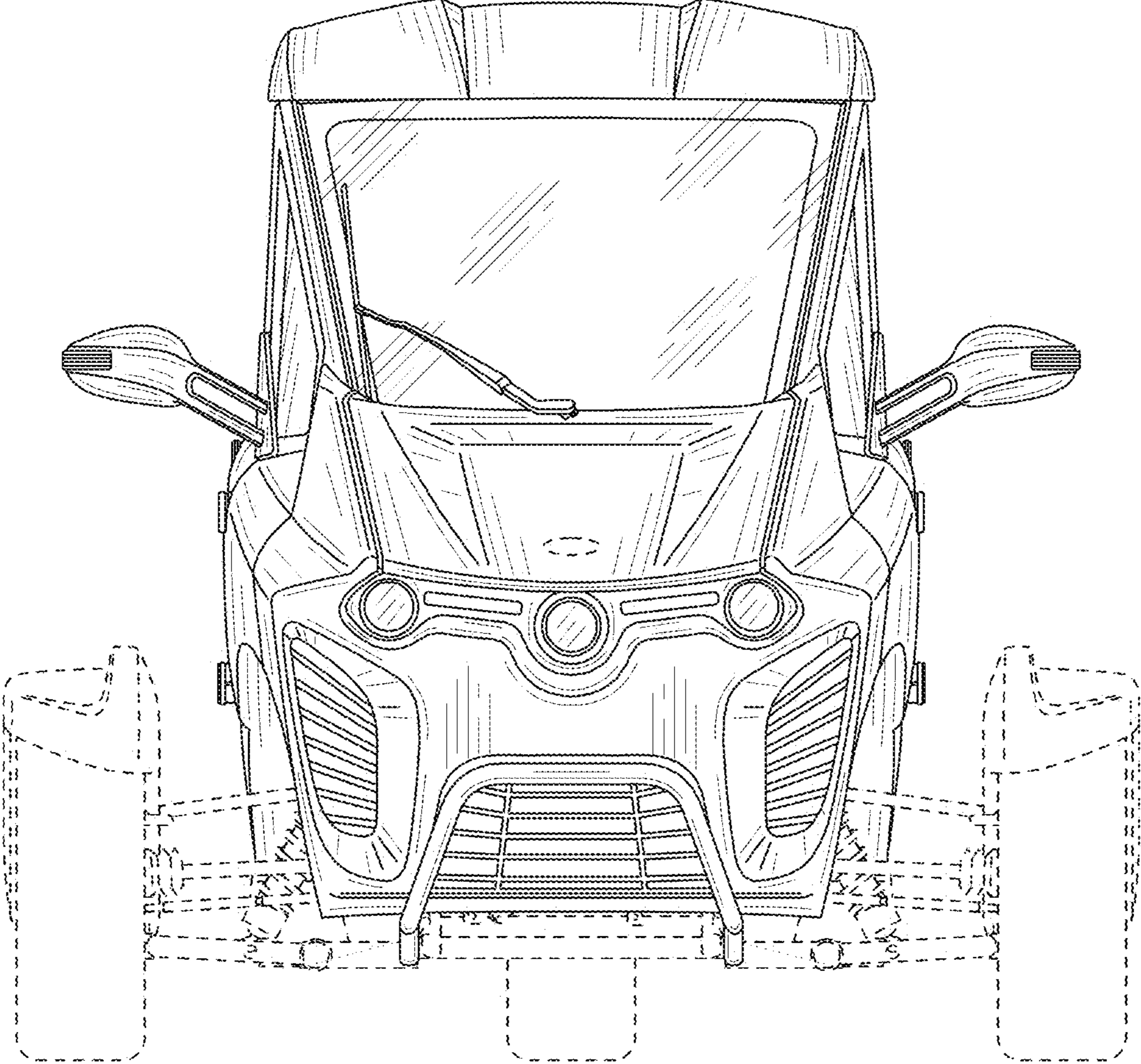


FIG. 1

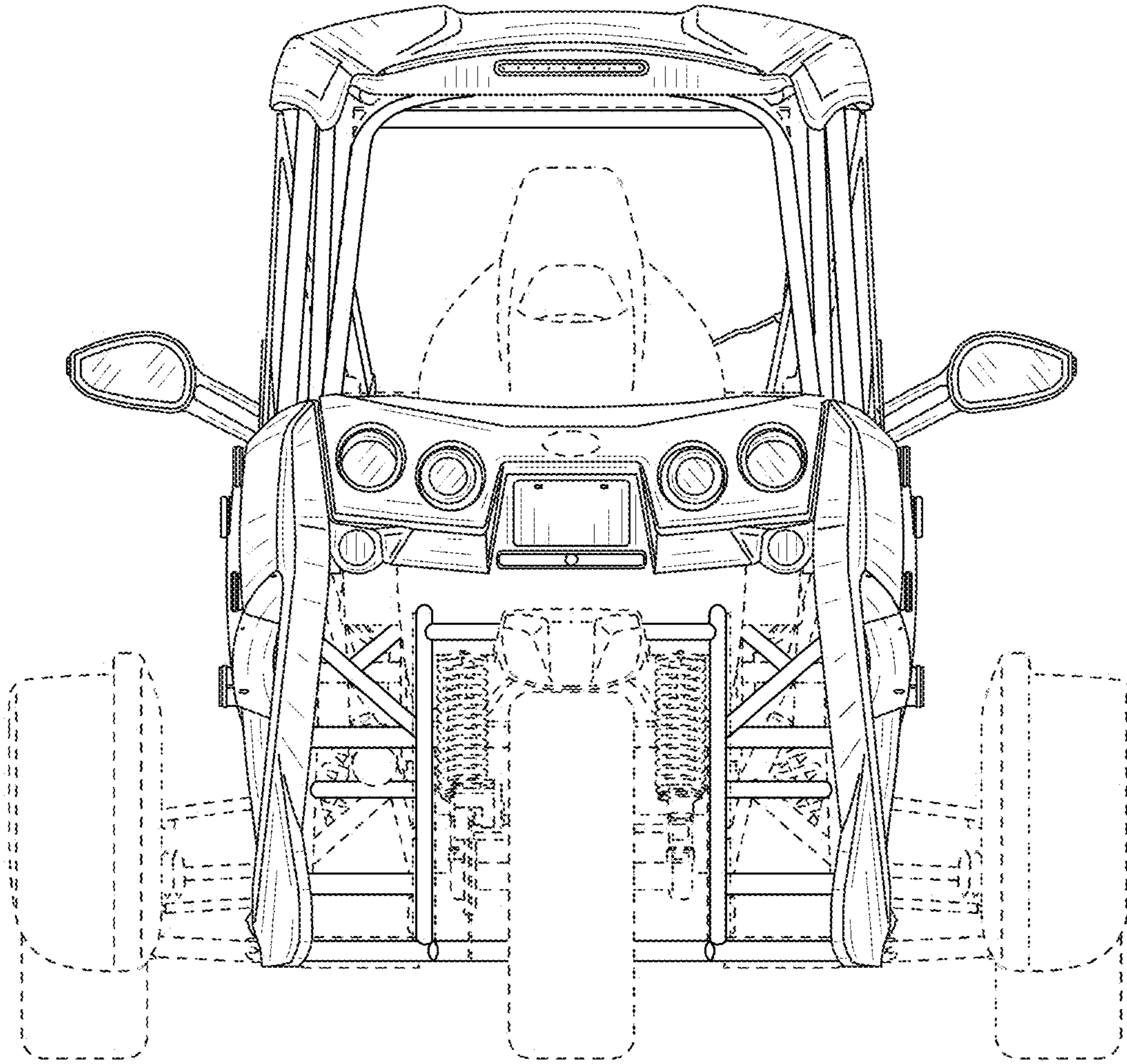


FIG. 2

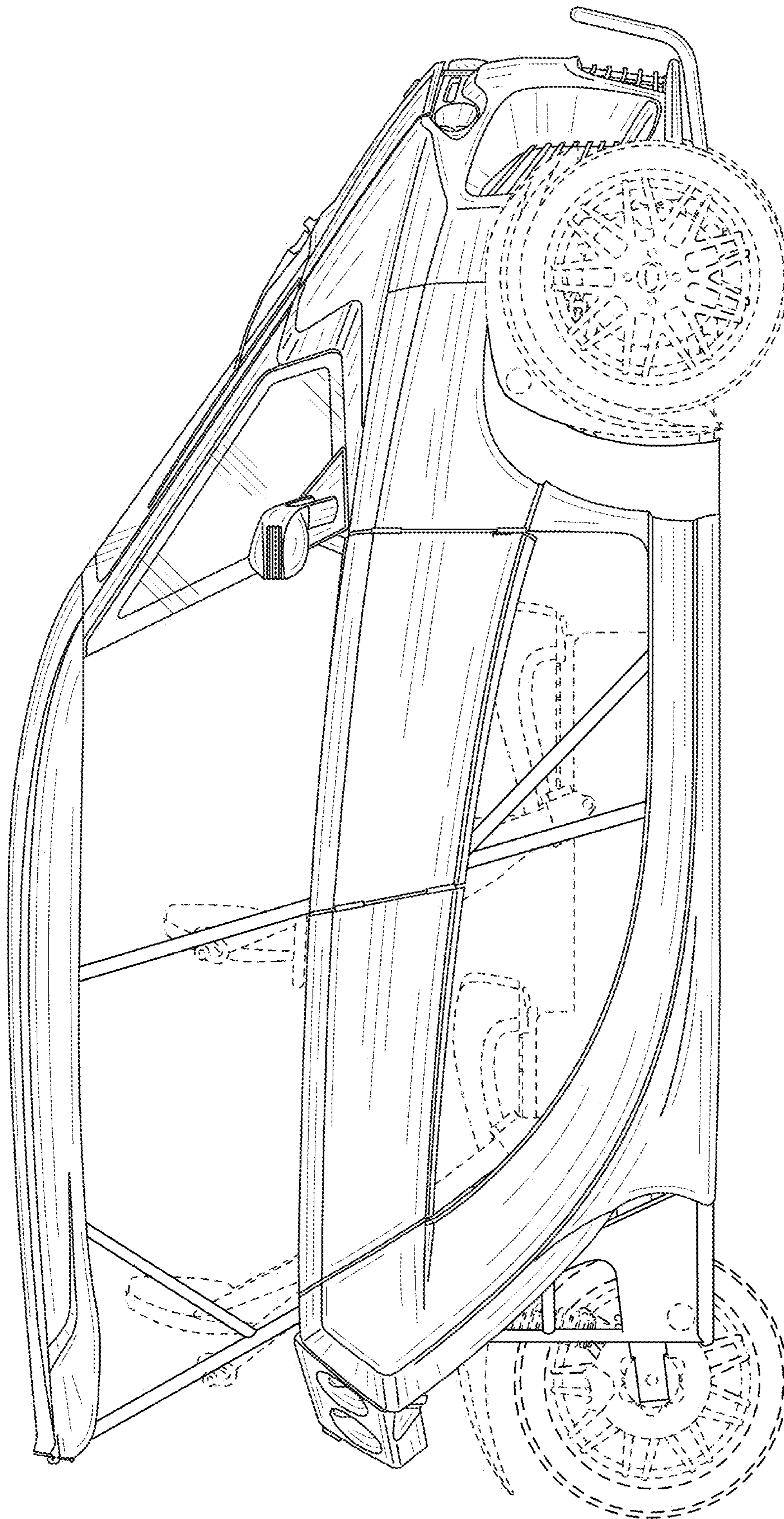


FIG. 3

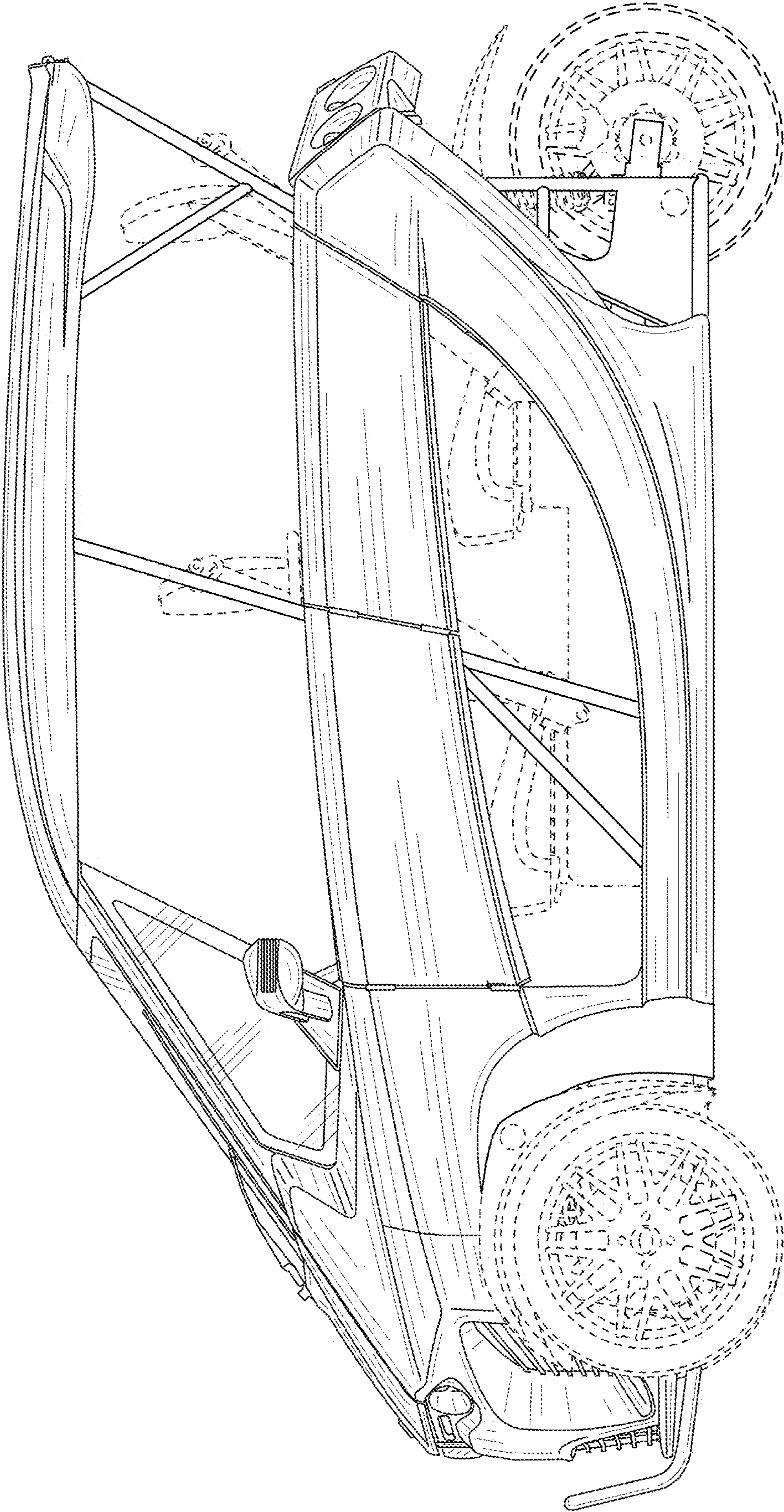


FIG. 4

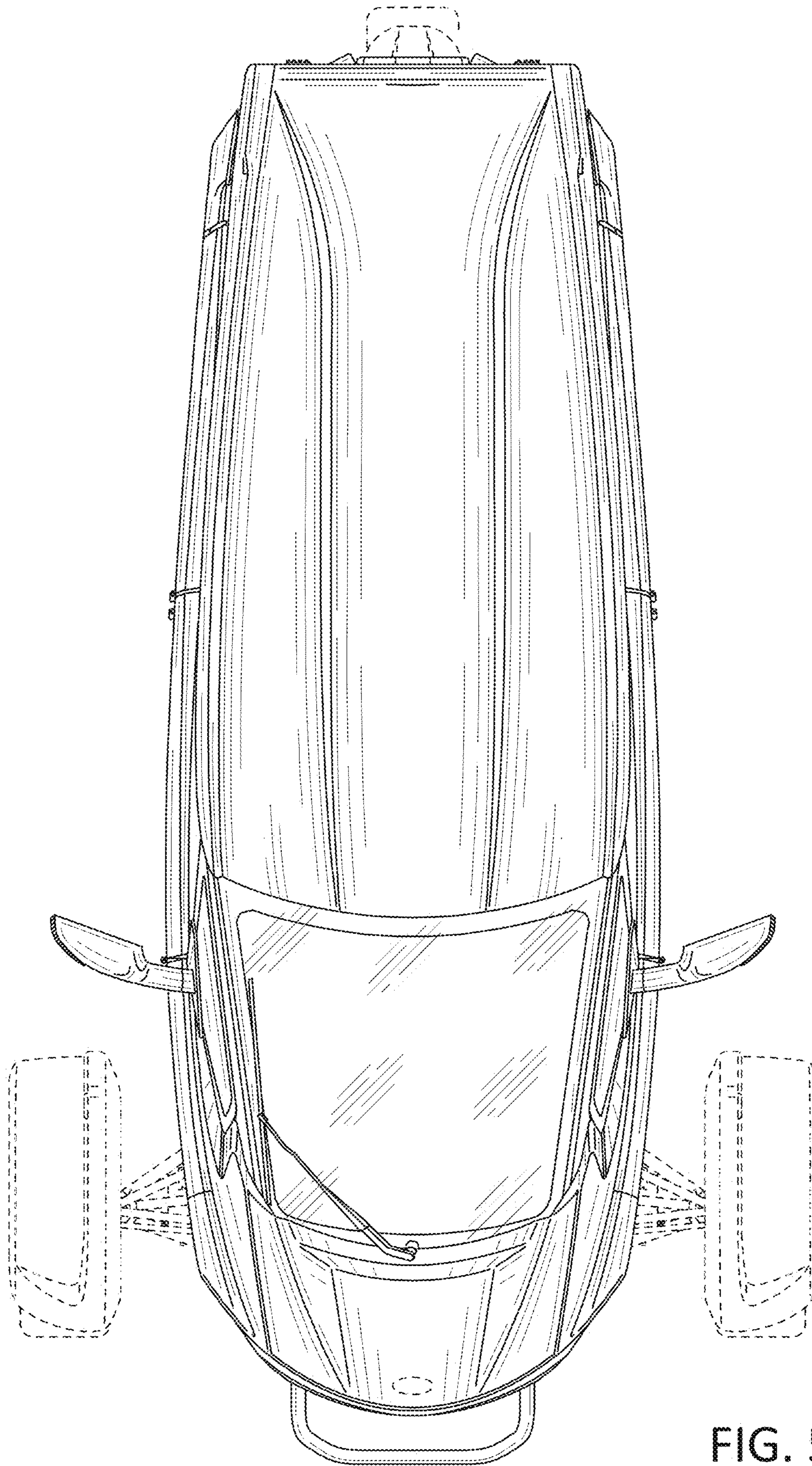


FIG. 5

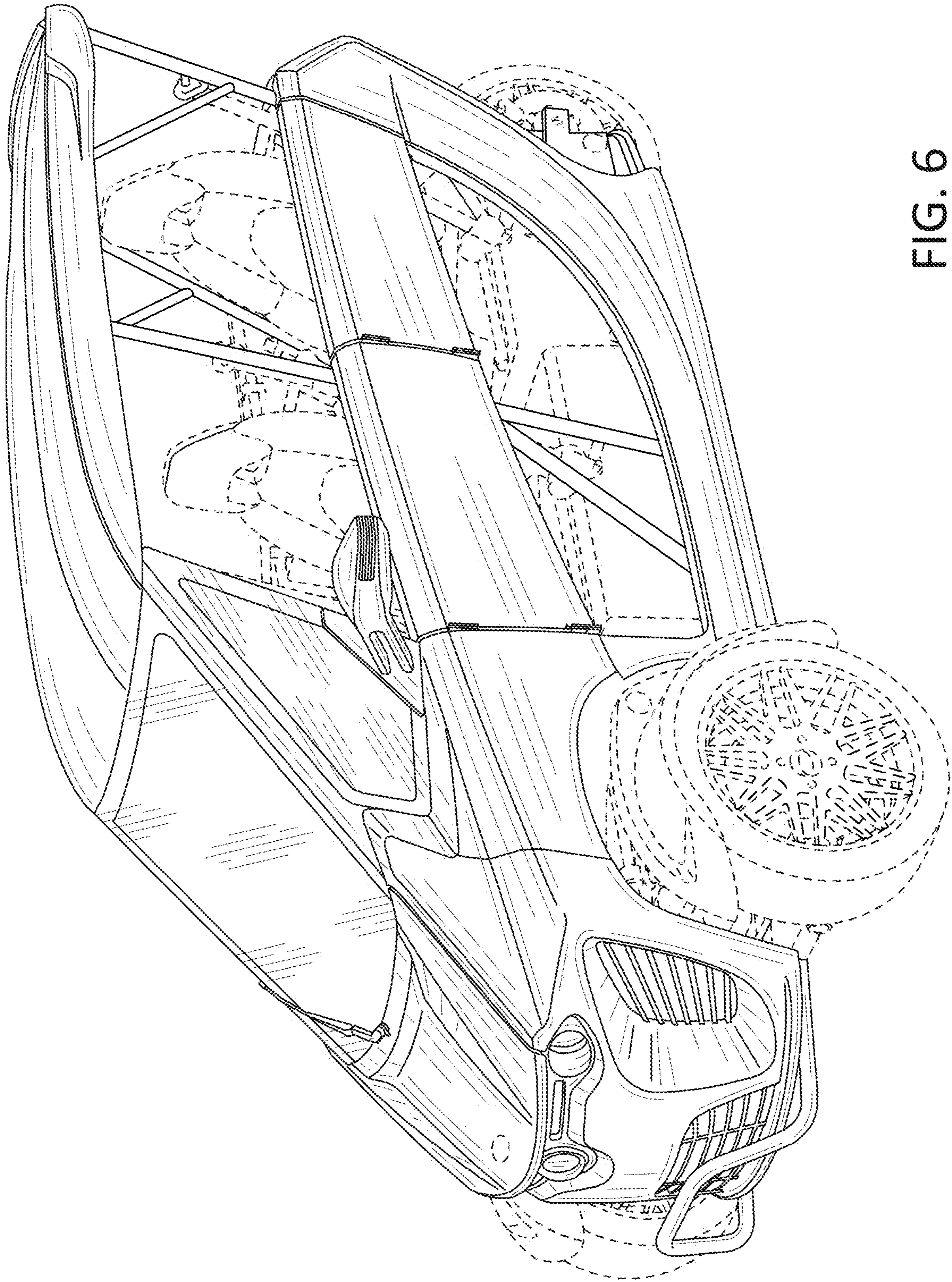


FIG. 6

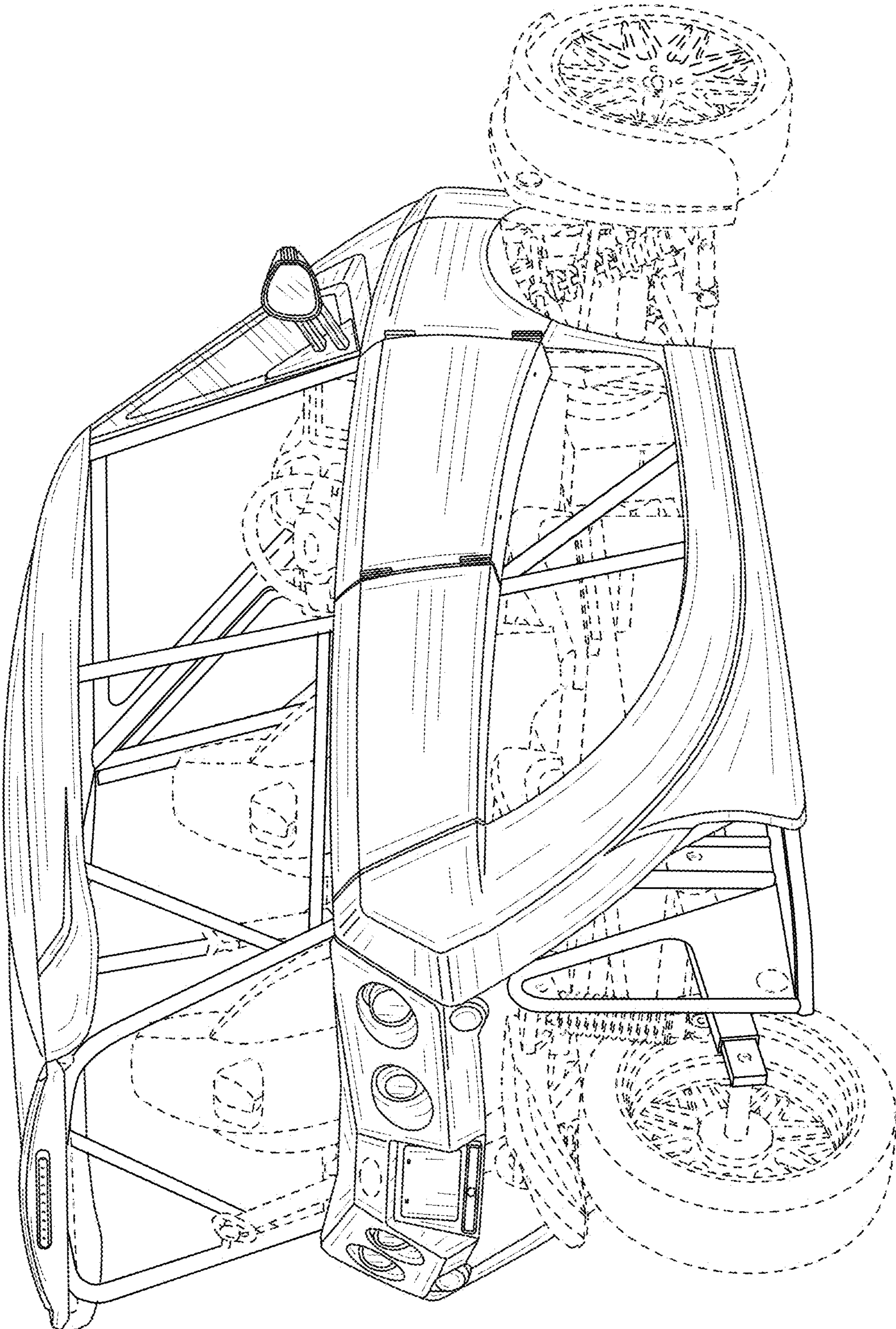


FIG. 7