



US00D874973S

(12) **United States Design Patent**
Zhou

(10) **Patent No.:** **US D874,973 S**

(45) **Date of Patent:** **** Feb. 11, 2020**

(54) **DRONE**

(71) Applicant: **Jun Zhou**, Shaoyan (CN)

(72) Inventor: **Jun Zhou**, Shaoyan (CN)

(73) Assignee: **GUANGDONG SHIJI TECHNOLOGY CO., LTD.**, Shantou (CN)

(**) Term: **15 Years**

(21) Appl. No.: **29/659,593**

(22) Filed: **Aug. 10, 2018**

(51) **LOC (12) Cl.** **12-01**

(52) **U.S. Cl.**
USPC **D12/16.1**

(58) **Field of Classification Search**
USPC D12/1-4, 16.1, 319-345; D21/436-454
CPC B64C 39/024; B64C 13/16; B64C 19/00;
B64C 2201/021; B64C 2201/141; B60H
1/3442

See application file for complete search history.

(56) **References Cited**

U.S. PATENT DOCUMENTS

D691,514 S	*	10/2013	Wang	D12/16.1
D710,454 S	*	8/2014	Barajas	D12/16.1
D745,435 S	*	12/2015	Park	D12/16.1
D759,764 S	*	6/2016	Lai	D12/16.1
D760,848 S	*	7/2016	McKenna	D12/16.1
D763,134 S	*	8/2016	Wang	D12/16.1
D768,539 S	*	10/2016	Lee	D12/16.1
D772,991 S	*	11/2016	Caubel	D12/16.1
D777,263 S	*	1/2017	Lavagen	D12/16.1
D782,366 S	*	3/2017	Xiao	D12/16.1
D784,202 S	*	4/2017	Park	D12/16.1
D784,854 S	*	4/2017	Huang	D12/16.1
D785,541 S	*	5/2017	Du	D12/328
D795,967 S	*	8/2017	Haley	D12/16.1
D796,586 S	*	9/2017	Chen	D12/16.1

D798,961 S	*	10/2017	Li	D21/441
D806,606 S	*	1/2018	Morrison	D12/16.1
D809,992 S	*	2/2018	Hu	D12/328
D810,653 S	*	2/2018	Hu	D12/327
D813,724 S	*	3/2018	Hu	D12/16.1
D814,385 S	*	4/2018	Zhao	D12/328
D814,970 S	*	4/2018	Chen	D12/16.1
D814,971 S	*	4/2018	Huang	D12/16.1
D816,546 S	*	5/2018	Wang	D12/16.1
D816,582 S	*	5/2018	Liang	D12/328
D817,850 S	*	5/2018	Xiao	D12/328
D818,872 S	*	5/2018	Ho	D12/16.1
D818,874 S	*	5/2018	Tian	D12/16.1
D819,749 S	*	6/2018	Caubel	D21/449
D820,158 S	*	6/2018	Jeong	D12/16.1
D821,263 S	*	6/2018	Goldy	D12/16.1
D825,379 S	*	8/2018	Gury	D12/16.1
D825,380 S	*	8/2018	Tompkin	D12/16.1
D825,381 S	*	8/2018	Meugnier	D12/16.1

(Continued)

OTHER PUBLICATIONS

Mostop Drone. by MoStop. earliest review dated Mar. 29, 2019. found online [Aug. 26, 2019] https://www.amazon.com/MOSTOP-Quadcopter-Foldable-Brushless-Headless/dp/B07NYWBQP2/ref=cm_cr_ar_p_d_product_top?ie=UTF8.*

Primary Examiner — Marissa J Cash

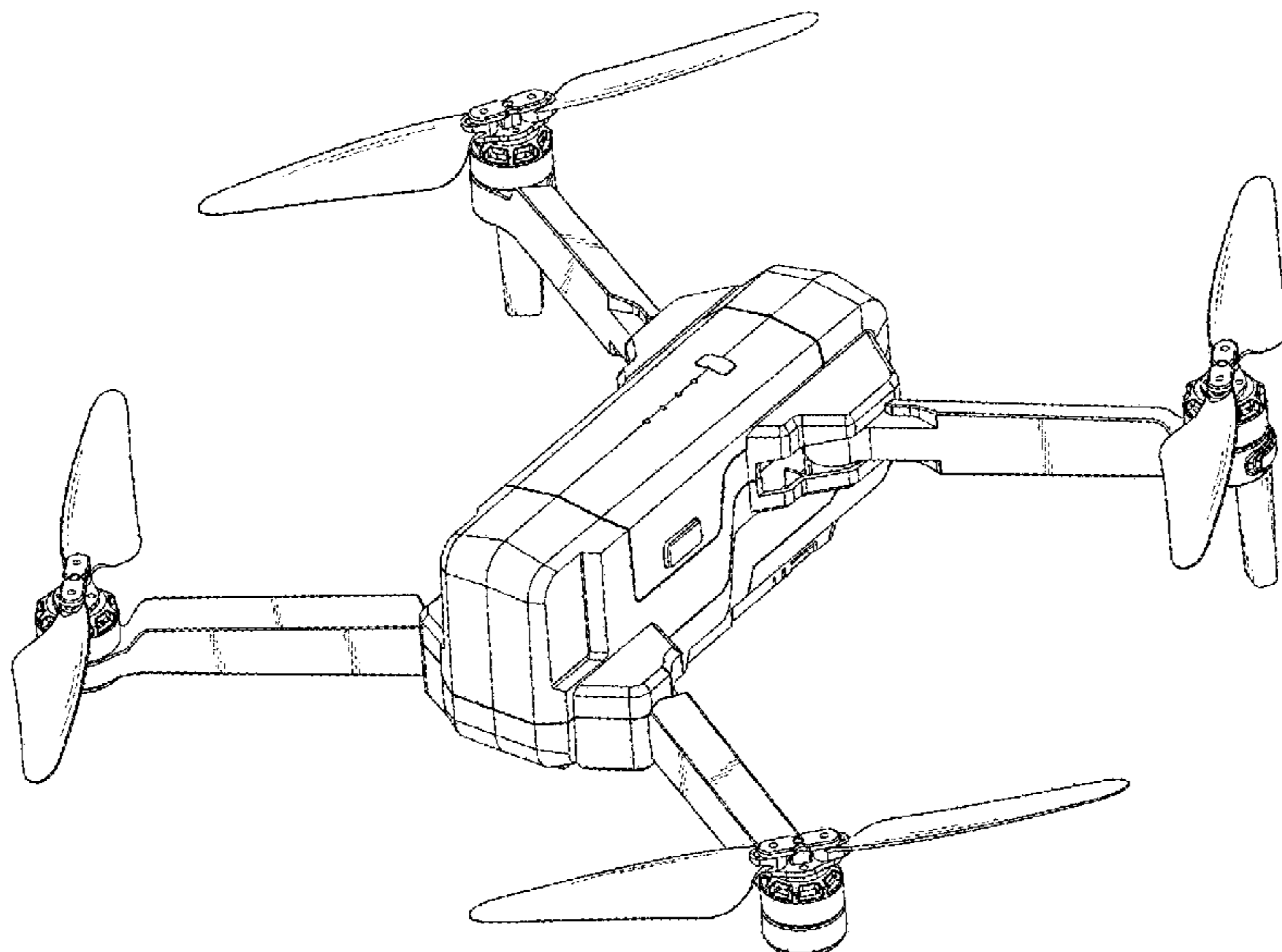
(57) **CLAIM**

The ornamental design for a drone, as shown and described.

DESCRIPTION

FIG. 1 is a front perspective view of a drone showing my new design;
FIG. 2 is a front elevational view thereof;
FIG. 3 is a left side elevational view thereof;
FIG. 4 is a right side elevational view thereof;
FIG. 5 is a top plan view thereof; and,
FIG. 6 is a bottom plan view thereof.

1 Claim, 5 Drawing Sheets



(56)

References Cited

U.S. PATENT DOCUMENTS

D825,669	S *	8/2018	Tompkin	D21/441
D827,723	S *	9/2018	Barajas	D21/442
D827,724	S *	9/2018	Barajas	D21/453
D828,222	S *	9/2018	Yu	D12/16.1
D830,229	S *	10/2018	Lutterodt	D12/16.1
D830,896	S *	10/2018	Lutterodt	D12/16.1
D830,946	S *	10/2018	Matus	D12/328
D831,538	S *	10/2018	Gan	D12/16.1
D843,267	S *	3/2019	Gao	D12/16.1
D843,921	S *	3/2019	Shi	D12/345
D849,845	S *	5/2019	Zhao	D21/436
D852,091	S *	6/2019	Tompkin	D12/16.1
D852,673	S *	7/2019	Chen	D12/16.1
10,343,785	B1 *	7/2019	Reese	B64D 27/24
2017/0015418	A1 *	1/2017	Matus	B64C 39/024
2017/0371354	A1 *	12/2017	Matus	G05D 1/101
2018/0267543	A1 *	9/2018	McGuire, Jr.	G05D 1/0202
2019/0135432	A1 *	5/2019	Matus	B64C 39/024

* cited by examiner

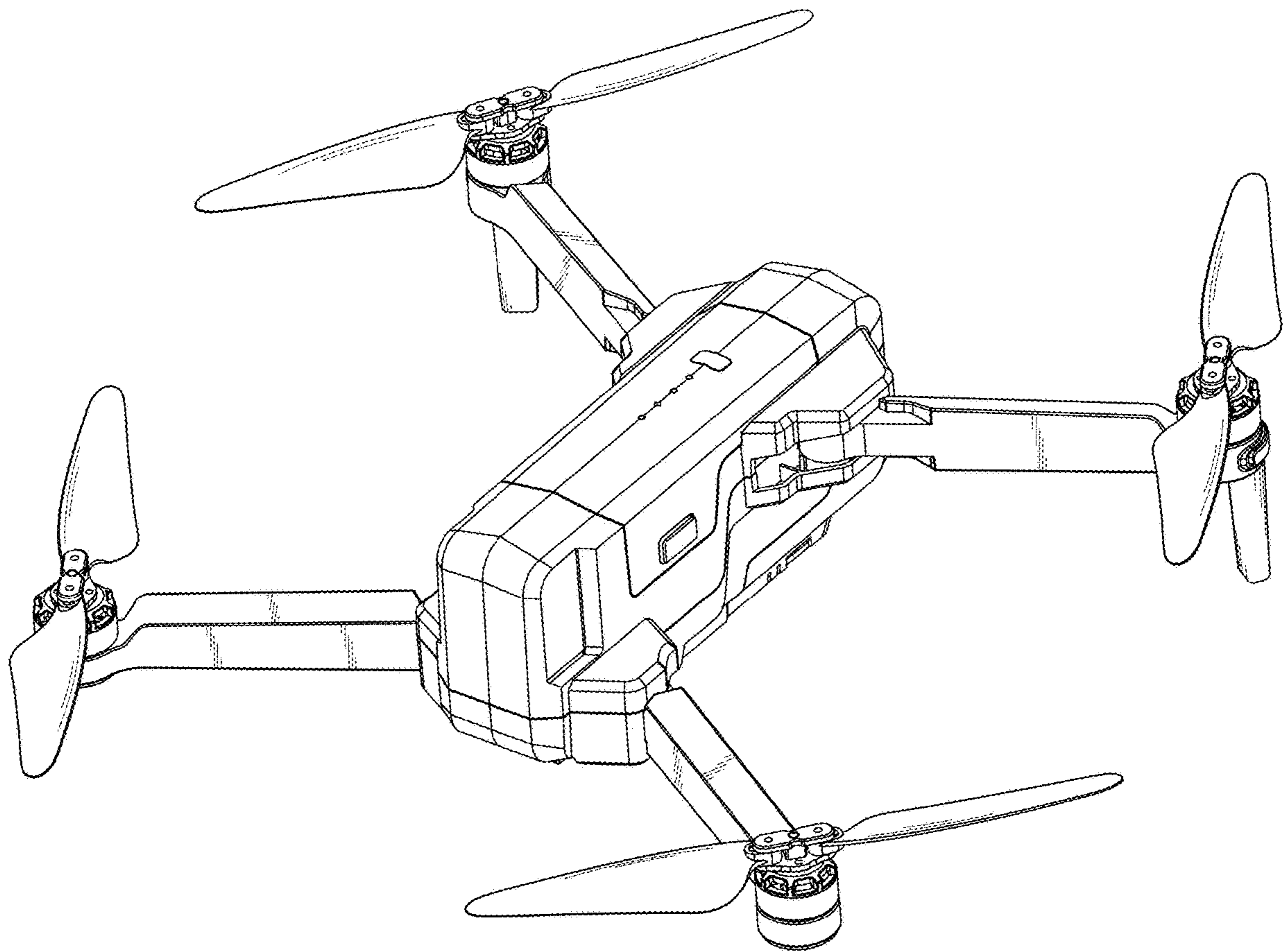


FIG.1

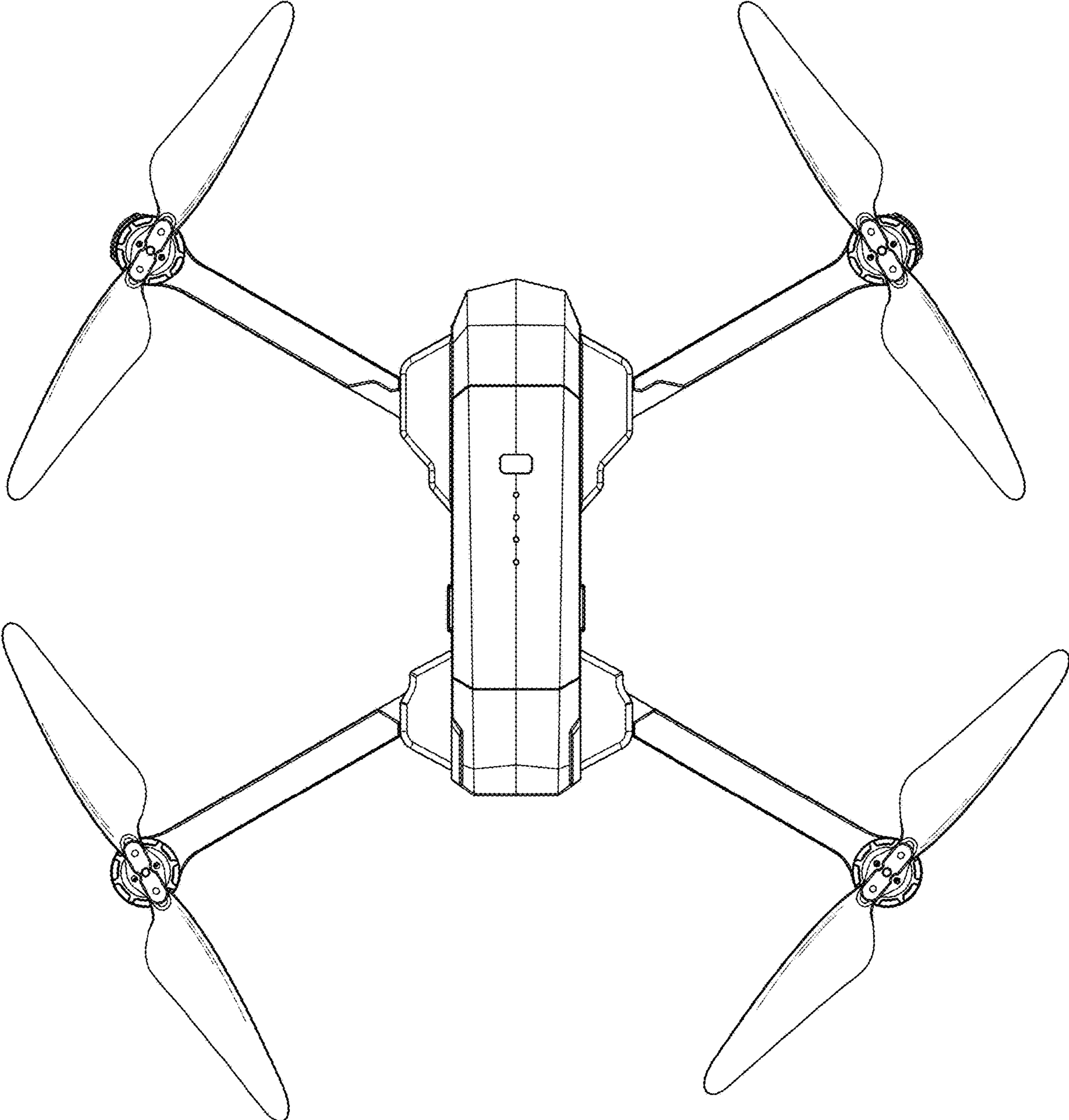


FIG.2

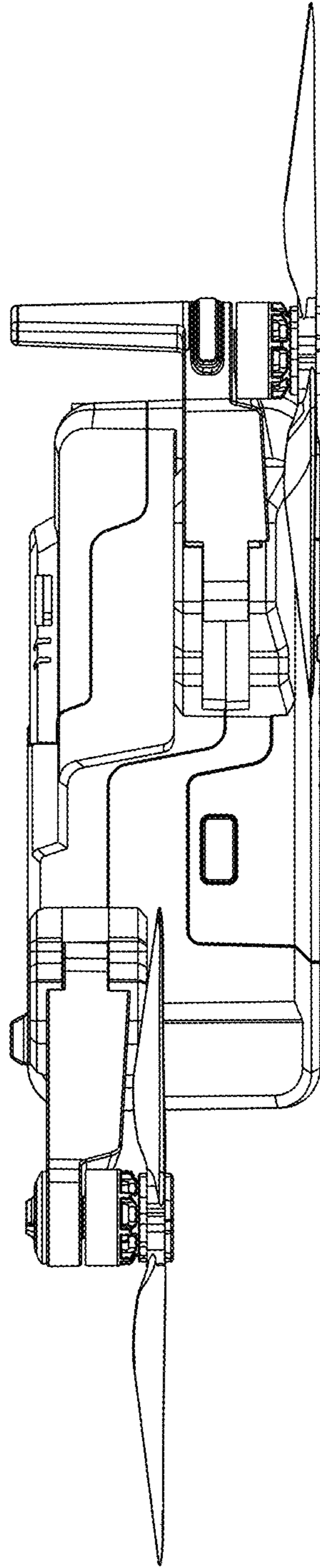


FIG.3

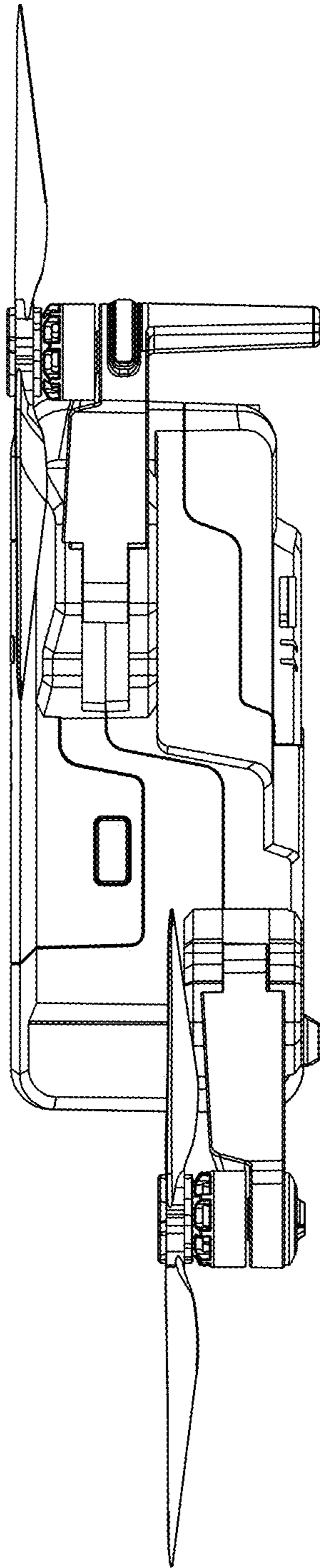


FIG.4

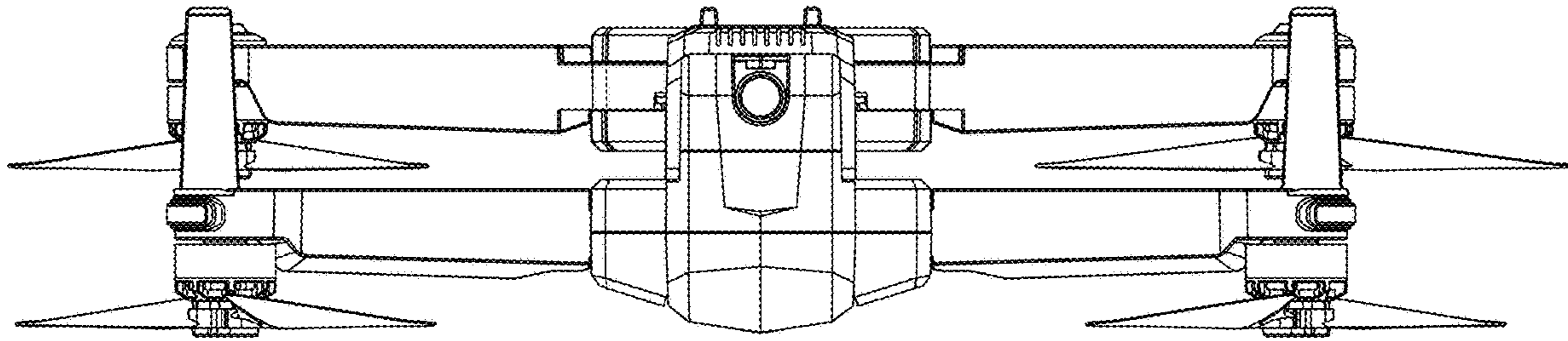


FIG. 5

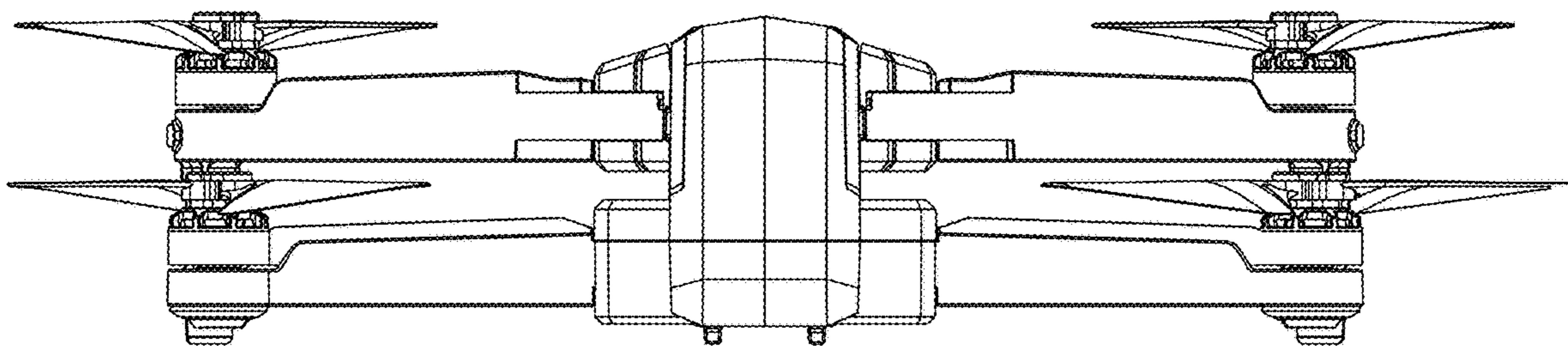


FIG. 6