



US00D874972S

(12) **United States Design Patent** (10) **Patent No.:** **US D874,972 S**
Lin et al. (45) **Date of Patent:** **** Feb. 11, 2020**

(54) **PASSENGER SAFETY BELT BUCKLE**

9/007; A41F 11/06; B60R 22/30; B60R 22/32; B60R 22/022; B60R 2022/1806; B60R

(71) Applicant: **Rockwell Collins Inc.**, Cedar Rapids, IA (US)

(Continued)

(72) Inventors: **Jaan Lin**, Winston-Salem, NC (US); **Alex L. Velet**, Clemmons, NC (US)

(56) **References Cited**

U.S. PATENT DOCUMENTS

(73) Assignee: **Rockwell Collins, Inc.**, Cedar Rapids, IA (US)

D114,050 S * 3/1939 Vaisey D11/215
D171,045 S 12/1953 Noe
2,862,268 A 12/1958 Cushman

(**) Term: **15 Years**

(Continued)

(21) Appl. No.: **29/688,964**

FOREIGN PATENT DOCUMENTS

(22) Filed: **Apr. 25, 2019**

EM 005763505-0001 1/2019

Primary Examiner — Kevin K Rudzinski

Assistant Examiner — Richard Kearney

(74) *Attorney, Agent, or Firm* — Suiter Swantz pc llo

Related U.S. Application Data

(62) Division of application No. 29/643,351, filed on Apr. 6, 2018, now Pat. No. Des. 853,277.

(51) **LOC (12) Cl.** **11-07**

(57) **CLAIM**

(52) **U.S. Cl.**
USPC **D11/216**

The ornamental design for a passenger safety belt buckle, as shown and described.

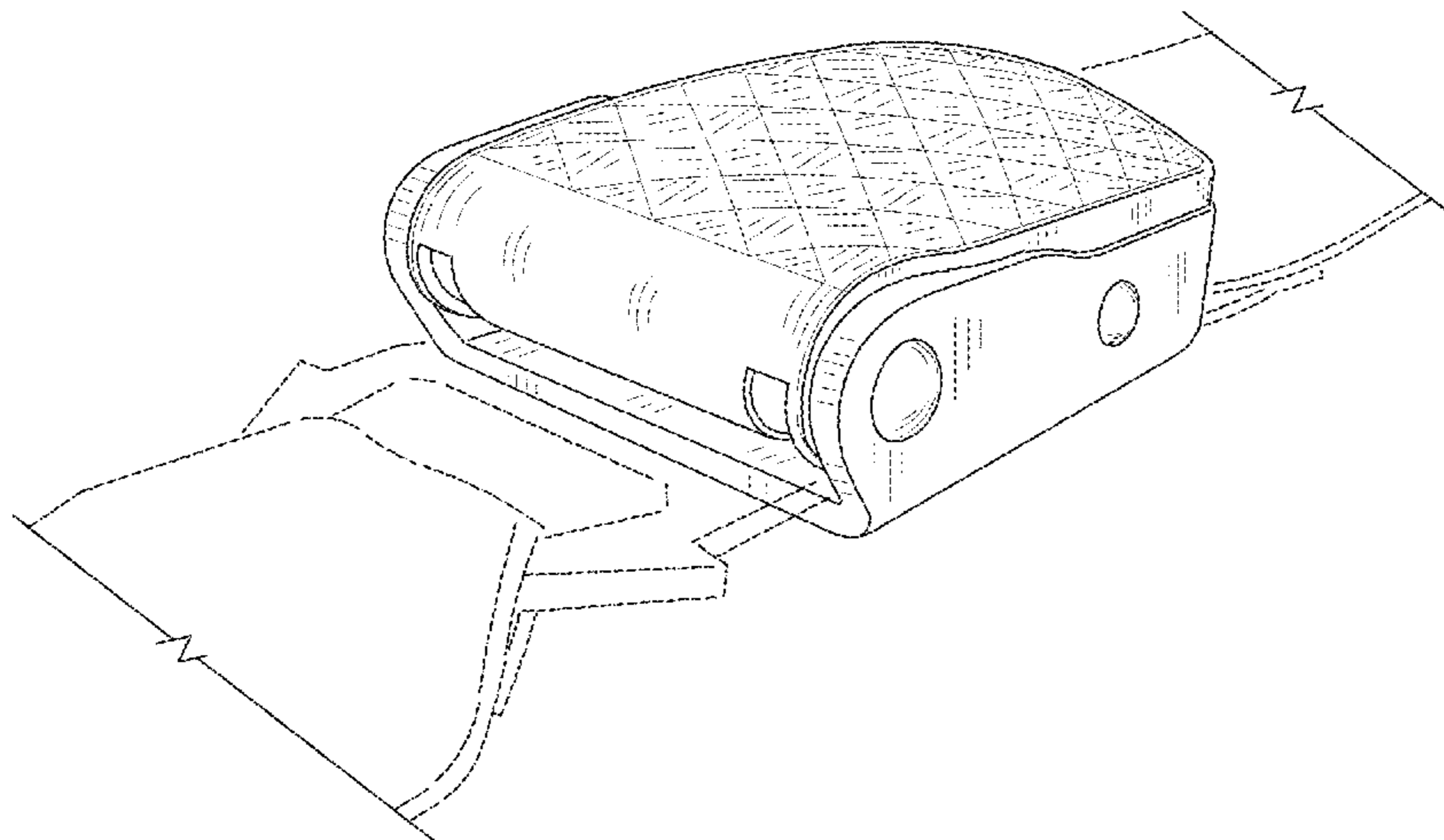
(58) **Field of Classification Search**

DESCRIPTION

USPC D2/624, 626, 627, 633, 639, 640, 853, D2/923; D3/24, 213, 215, 216, 230; D8/14, 331, 343, 349, 356, 358, 359, 360, D8/363, 366, 371, 382, 394, 395; D10/32, 38; D11/1, 2, 3, 12, 16, 86, 87, D11/93, 200, 201, 206–210, 212–218, D11/229–237; D12/195, 416; D29/100–101.5, 122, 129, 130; D30/139, D30/152, 153
CPC A44B 11/00; A44B 11/02; A44B 11/04; A44B 11/05; A44B 11/06; A44B 11/10; A44B 11/14; A44B 11/22; A44B 11/25; A44B 11/26; A44B 11/125; A44B 11/223; A44B 11/001; A44B 11/005; A44B 11/006; A44B 11/2503; A44B 11/2507; A44B 11/2526; A44B 11/2553; A44B 11/2592; A41F 1/008; A41F 9/002; A41F

FIG. 1 is a perspective view of a passenger safety belt buckle;
FIG. 2 is a top plan view of the passenger safety belt buckle of FIG. 1;
FIG. 3 is a front elevation view of the passenger safety belt buckle of FIG. 1;
FIG. 4 is a left side elevation view of the passenger safety belt buckle of FIG. 1;
FIG. 5 is a rear elevation view of the passenger safety belt buckle of FIG. 1;
FIG. 6 is a right side elevation view of the passenger safety belt buckle of FIG. 1; and,
FIG. 7 is a bottom plan view of the passenger safety belt buckle of FIG. 1.

(Continued)



The broken lines shown in the drawings illustrates portions of the article that form no part of the claimed design.

1 Claim, 4 Drawing Sheets

(58) Field of Classification Search

CPC 2022/1812; B60R 2022/281; B65D 63/16;
A62B 35/00

See application file for complete search history.

(56) References Cited

U.S. PATENT DOCUMENTS

3,091,010	A	5/1963	Davis	
D200,772	S	4/1965	Dahms	
3,241,206	A	3/1966	Greenfield	
D209,657	S	12/1967	Barcus	
D215,195	S	* 9/1969	Reseda	D11/216
D327,451	S	* 6/1992	McNally, Jr.	D11/19
D327,455	S	6/1992	Blair	
5,123,147	A	6/1992	Blair	
D453,125	S	1/2002	Citton	
D533,045	S	12/2006	Schroth	
D567,709	S	4/2008	Cho	
D600,160	S	* 9/2009	Kosh	D11/218
D603,753	S	11/2009	Palmer et al.	
D729,119	S	* 5/2015	Janes	D11/216
D853,277	S	* 7/2019	Lin	D11/216

* cited by examiner

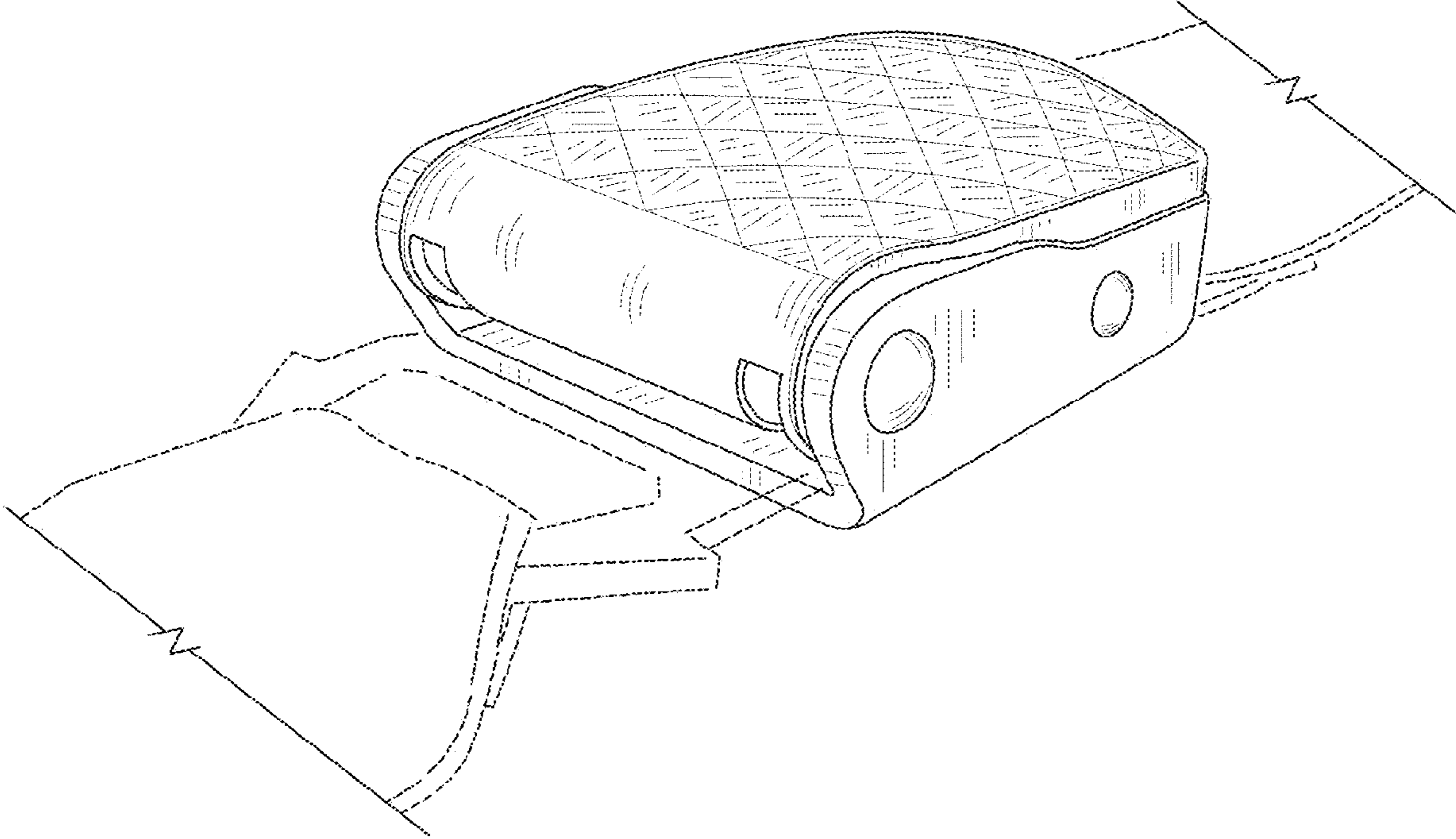


FIG. 1

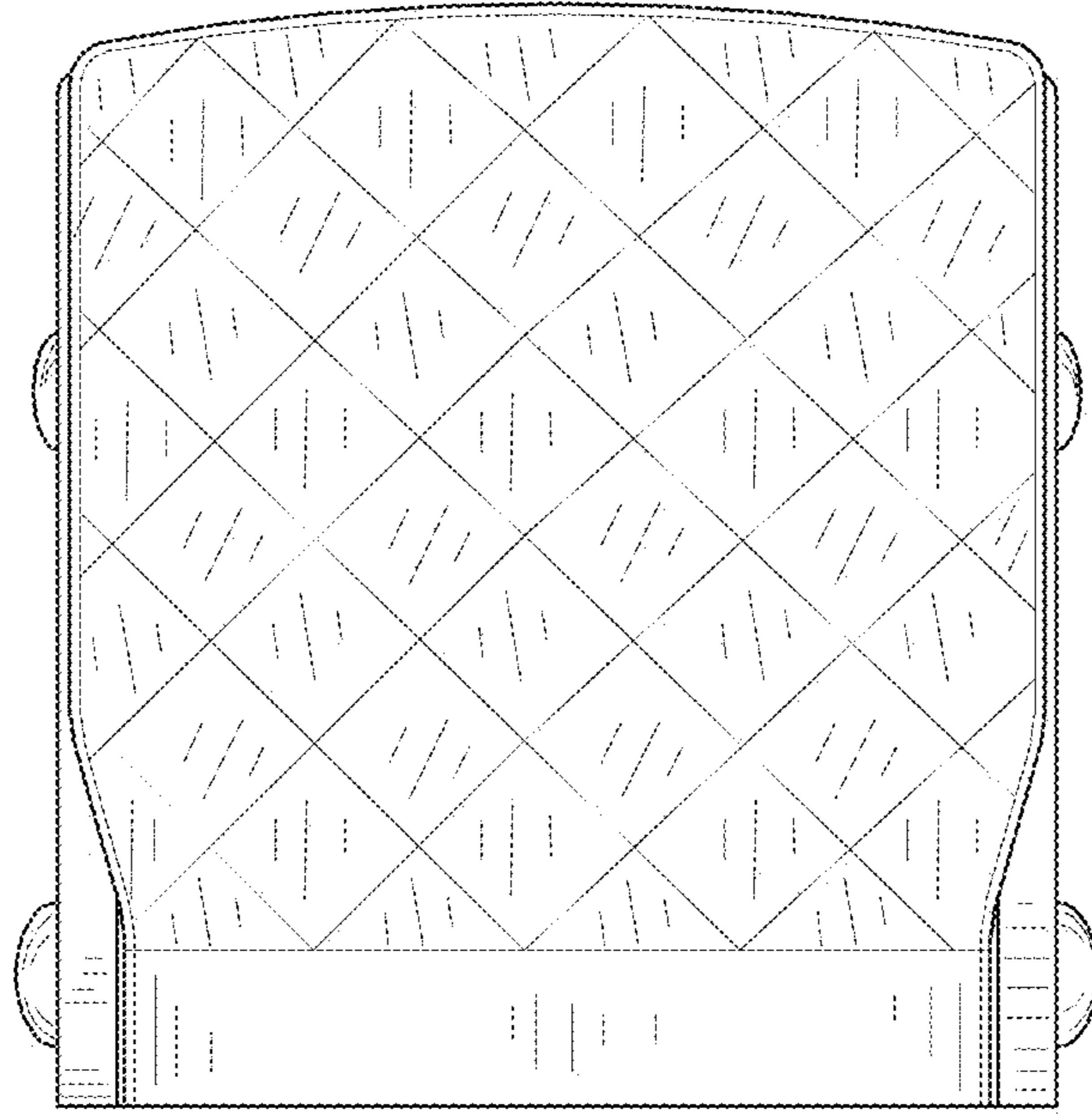


FIG. 2

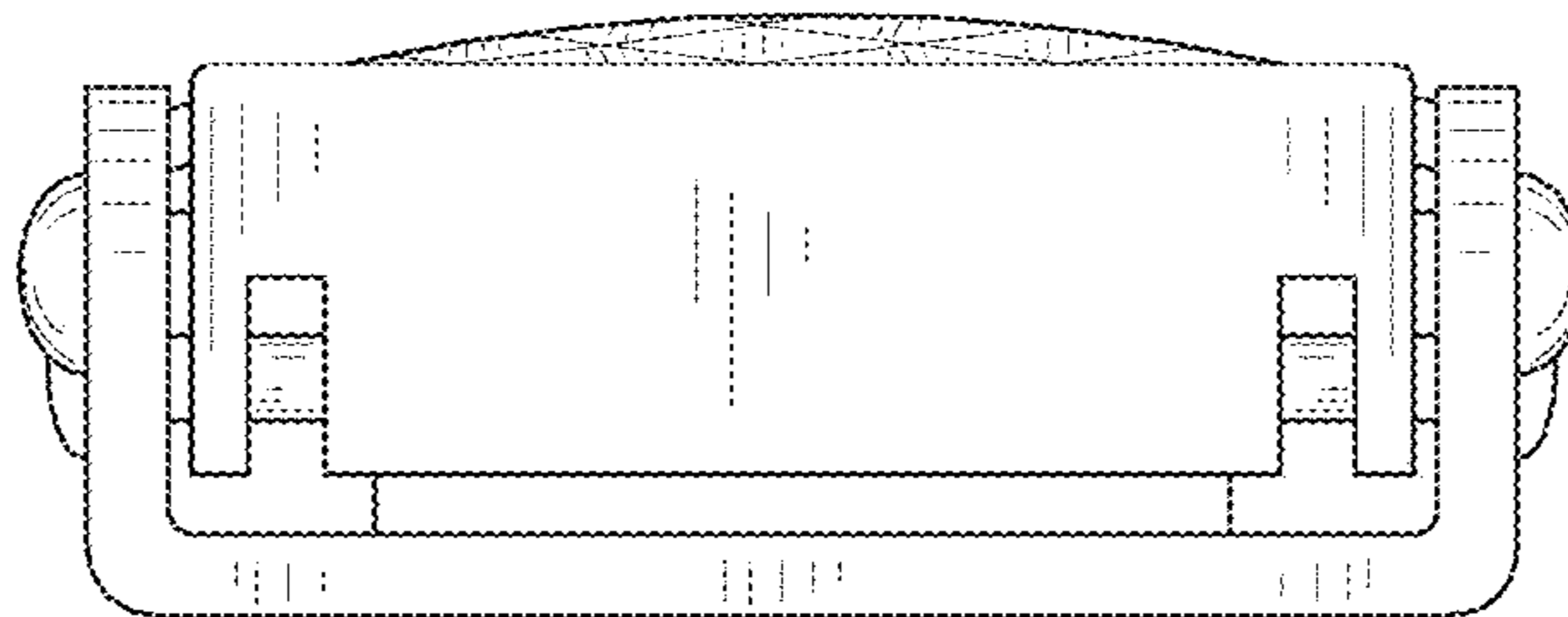


FIG. 3

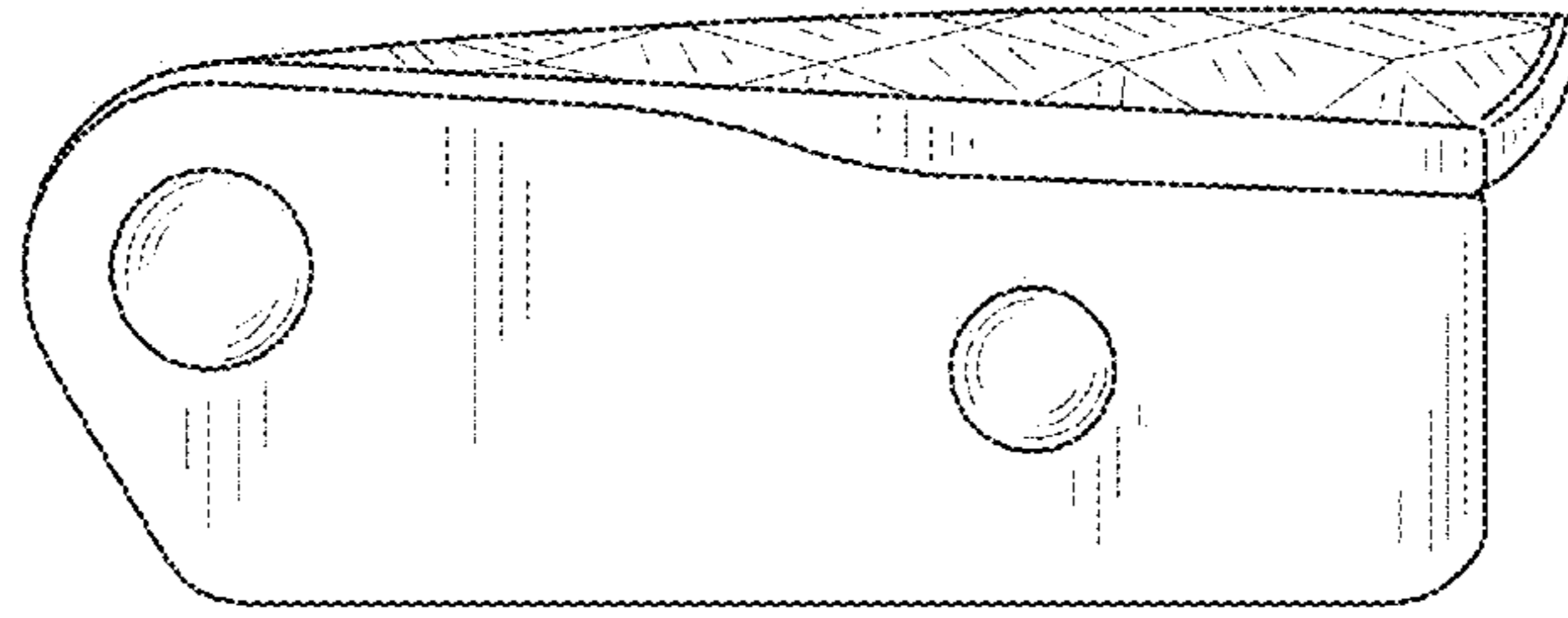


FIG. 4

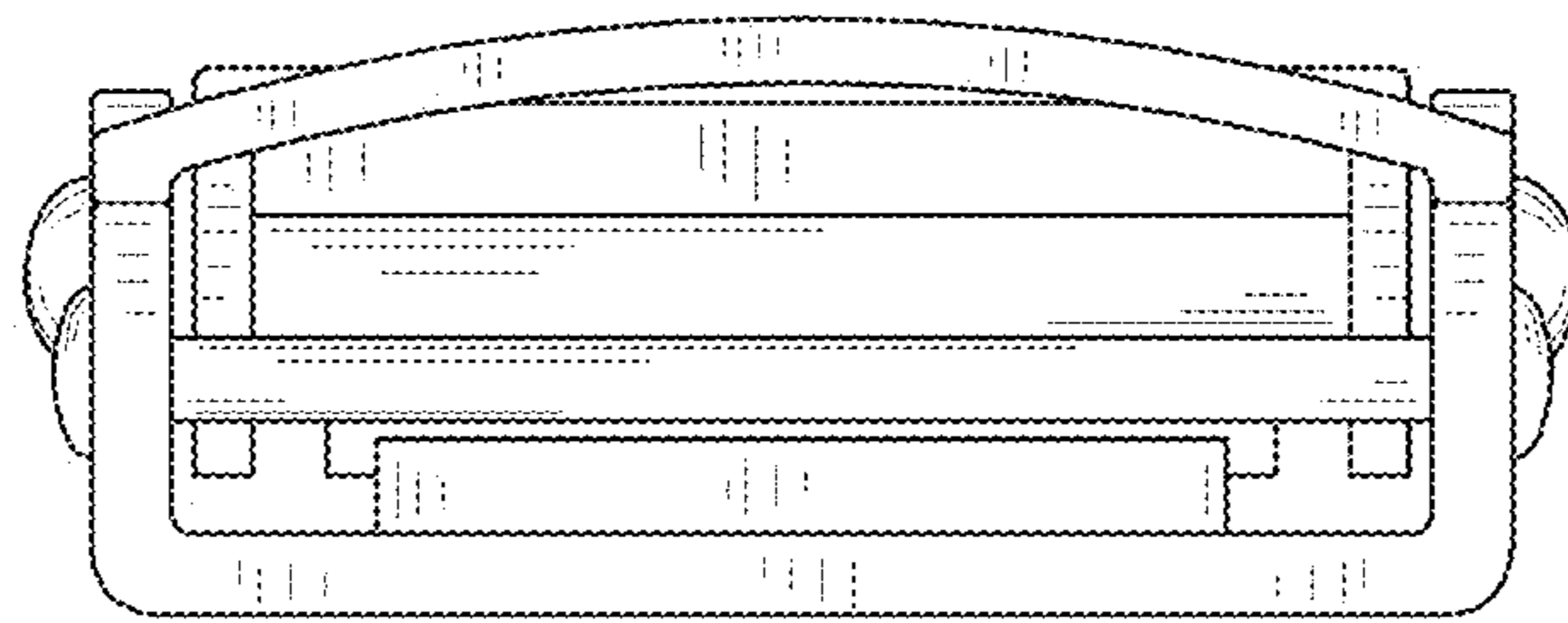


FIG. 5

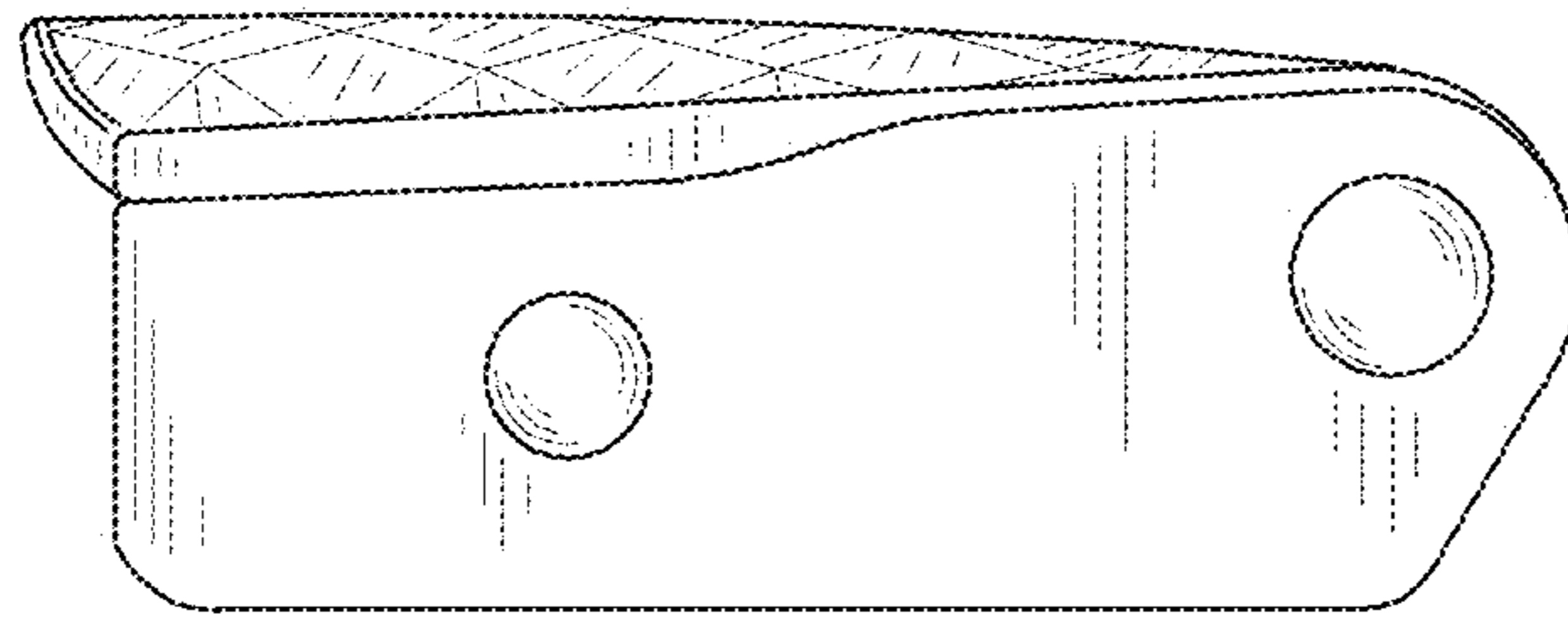


FIG. 6

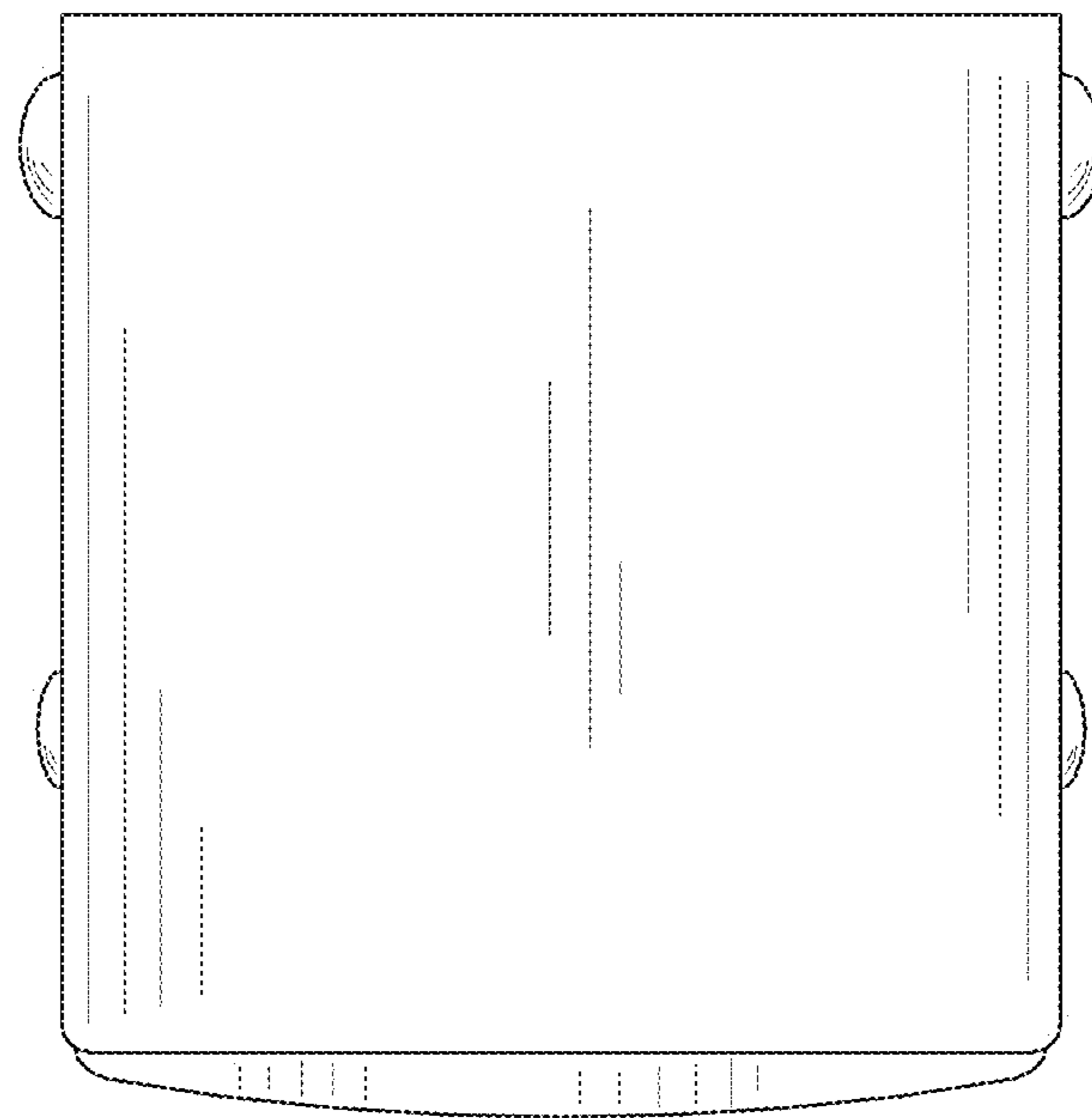


FIG. 7