



US00D874968S

(12) **United States Design Patent**
Weng

(10) **Patent No.:** **US D874,968 S**

(45) **Date of Patent:** **** Feb. 11, 2020**

(54) **CASING FOR WRIST WEARABLE DEVICE**

G08B 21/04–21/2454; G04R 20/02;
G04C 10/00; G04C 10/02; G01S
19/00–19/55

(71) Applicant: **Shenzhen Guangyipeng Technology Co., Ltd.**, Shenzhen, Guangdong (CN)

See application file for complete search history.

(72) Inventor: **Jie Weng**, Guangdong (CN)

(56) **References Cited**

(73) Assignee: **SHENZHEN GUANGYIPENG TECHNOLOGY CO., LTD.**, Shenzhen (CN)

U.S. PATENT DOCUMENTS

(**) Term: **15 Years**

D439,525 S *	3/2001	Versace	D10/30
D531,524 S	11/2006	Behling		
D565,970 S *	4/2008	Ratajski	D10/39
D569,740 S *	5/2008	Bodino	D10/38
D582,295 S *	12/2008	Schoepfer	D10/38
D714,164 S *	9/2014	Vuilleumier	D10/30

(Continued)

(21) Appl. No.: **29/691,777**

(22) Filed: **May 20, 2019**

Primary Examiner — Antoine Duval Davis

(51) **LOC (12) Cl.** **10-04**

(52) **U.S. Cl.**
USPC **D10/128; D10/30**

(57) **CLAIM**

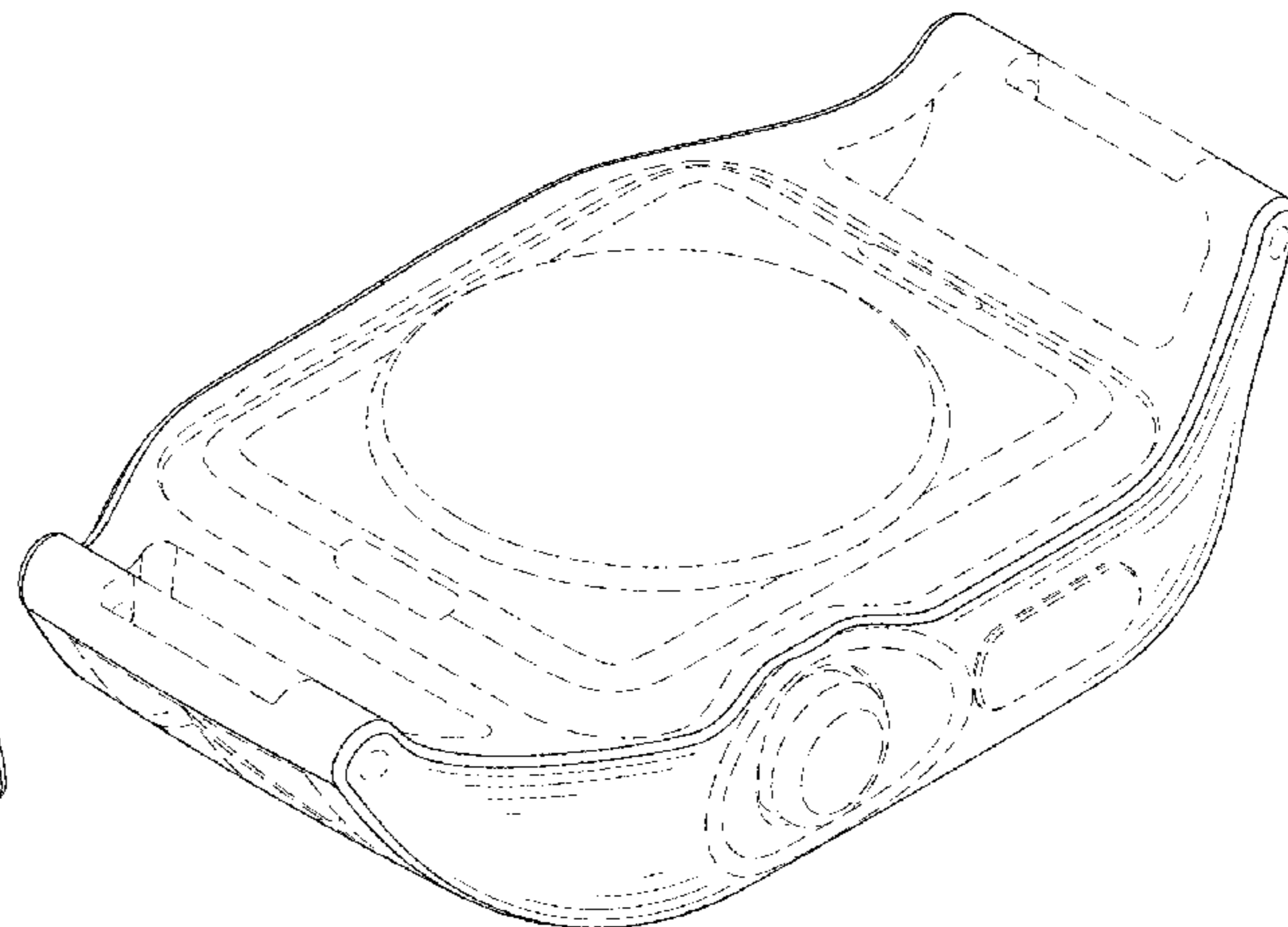
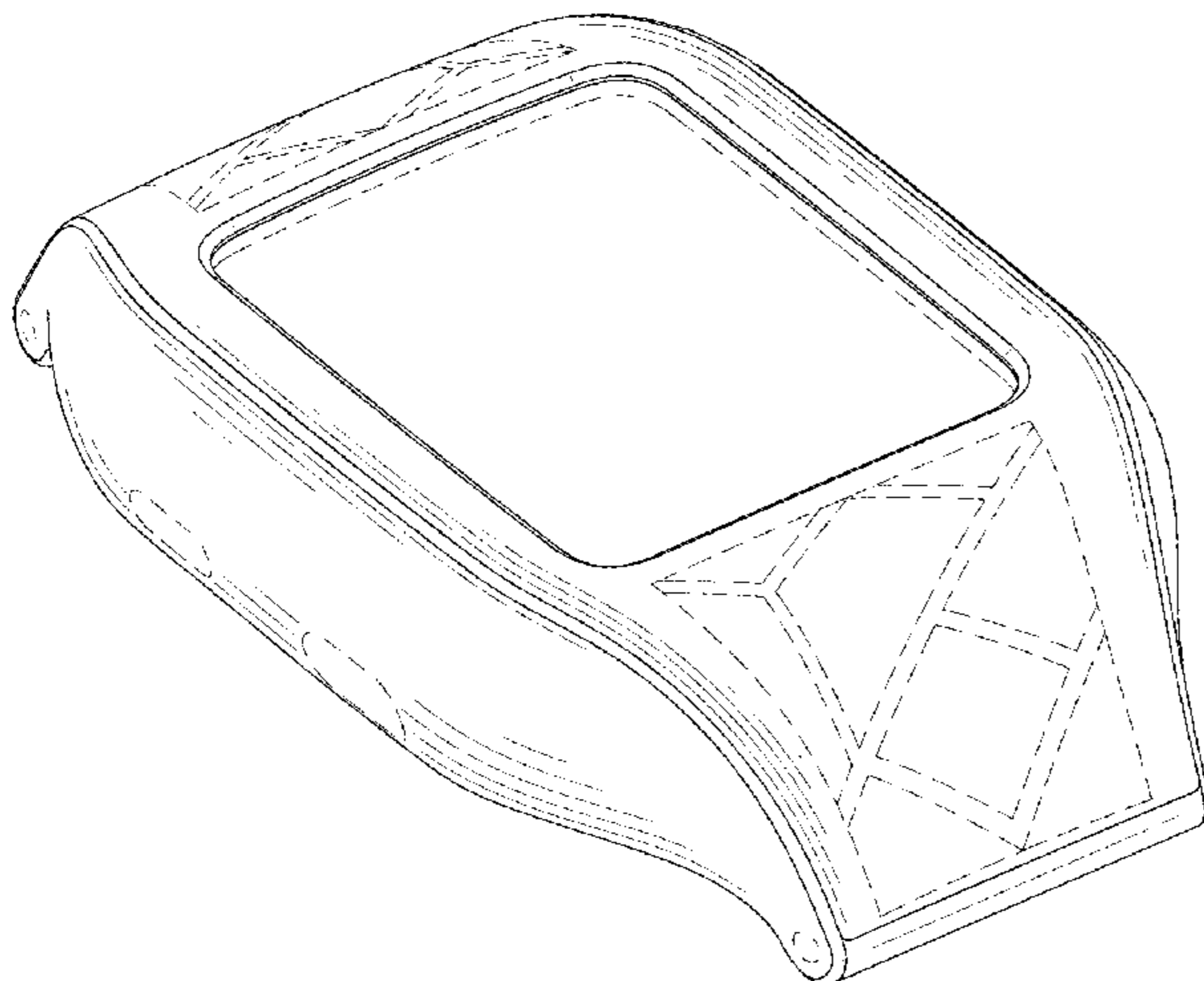
(58) **Field of Classification Search**
USPC D10/30–39, 65, 70, 78, 97, 98, 122, 124,
D10/126, 127, 128; D11/3; D14/138 R,
D14/203.5, 203.6, 341, 344; D24/167,
D24/186
CPC G04B 19/00–19/34; G04B 21/12; G04B
23/12; G04B 37/00–37/228; G04B
47/00–47/068; G04B 45/0069; G01C
17/00; G01C 21/00–21/3697; G01C
22/00–22/025; G01C 23/00–23/005; G06F
19/3481; G06F 3/00–3/027; G06F 1/163;
G01P 1/00–1/26; G01P 15/00–15/18;
A63B 24/00–2024/0096; A63B 69/0028;
A63B 2071/0658–2071/0666; A63B
2220/00–2220/89; A63B 2225/02; A63B
2213/00; A61B 5/0537; A61B 5/4872;
A61B 5/4869; A61B 5/0858; A61B
5/1075; A61B 5/107; A61B 5/4875; A61B
5/4878; A61B 5/4881; A61B
5/61–5/6898; A44C 5/00–5/16; A63C
11/02; G04G 21/00; G04G 21/02; G04G
21/08; G04G 9/0064; G04G 9/0005;
G08B 21/0269; G08B 21/0272; G08B
21/0286; G08B 21/0288; G08B 21/0291;

The ornamental design for a casing for wrist wearable device, as shown and described.

DESCRIPTION

FIG. 1 is a top, front and left side perspective view of a casing for wrist wearable device showing my new design; FIG. 2 is a bottom, rear and right side perspective view thereof; FIG. 3 is a front elevational view thereof; FIG. 4 is a rear elevational view thereof; FIG. 5 is a left side view thereof; FIG. 6 is a right side view thereof; FIG. 7 is a top plan view thereof; FIG. 8 is a bottom plan view thereof; FIG. 9 is a perspective view showing the casing for wrist wearable device in a use state; FIG. 10 is an enlarged view of portion 10 in FIG. 5; and, FIG. 11 is an enlarged view of portion 11 in FIG. 5. The broken lines in the drawings illustrate portions of the casing for wrist wearable device and environmental subject matters that form no part of the claimed design.

1 Claim, 11 Drawing Sheets



(56)

References Cited

U.S. PATENT DOCUMENTS

D764,318 S	*	8/2016	Kauffmann	D10/30
D767,412 S	*	9/2016	Voirin	D10/30
D798,168 S	*	9/2017	Laucella	D10/30
D798,744 S		10/2017	Wright et al.	
D853,878 S		7/2019	Wright et al.	

* cited by examiner

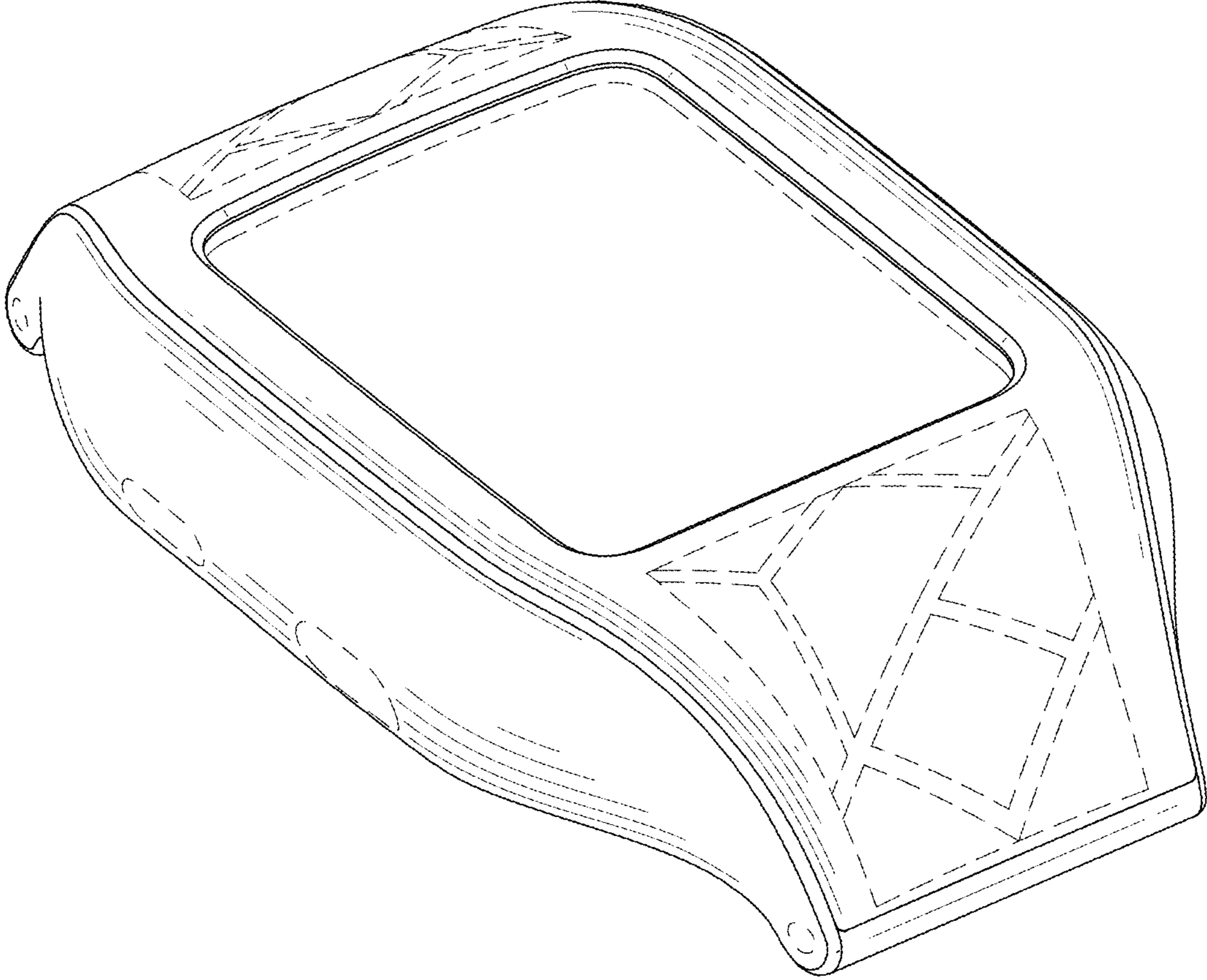


FIG. 1

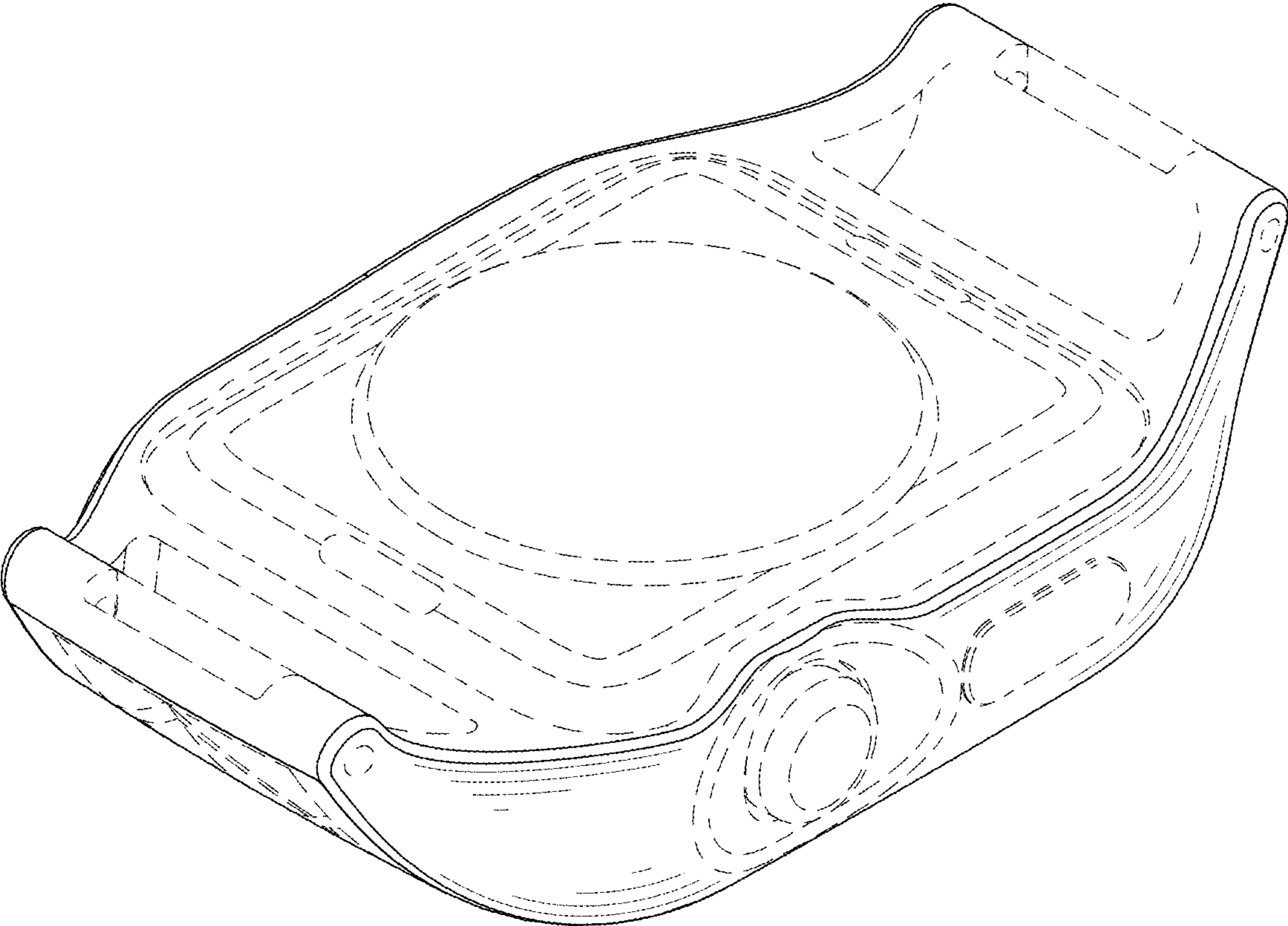


FIG. 2

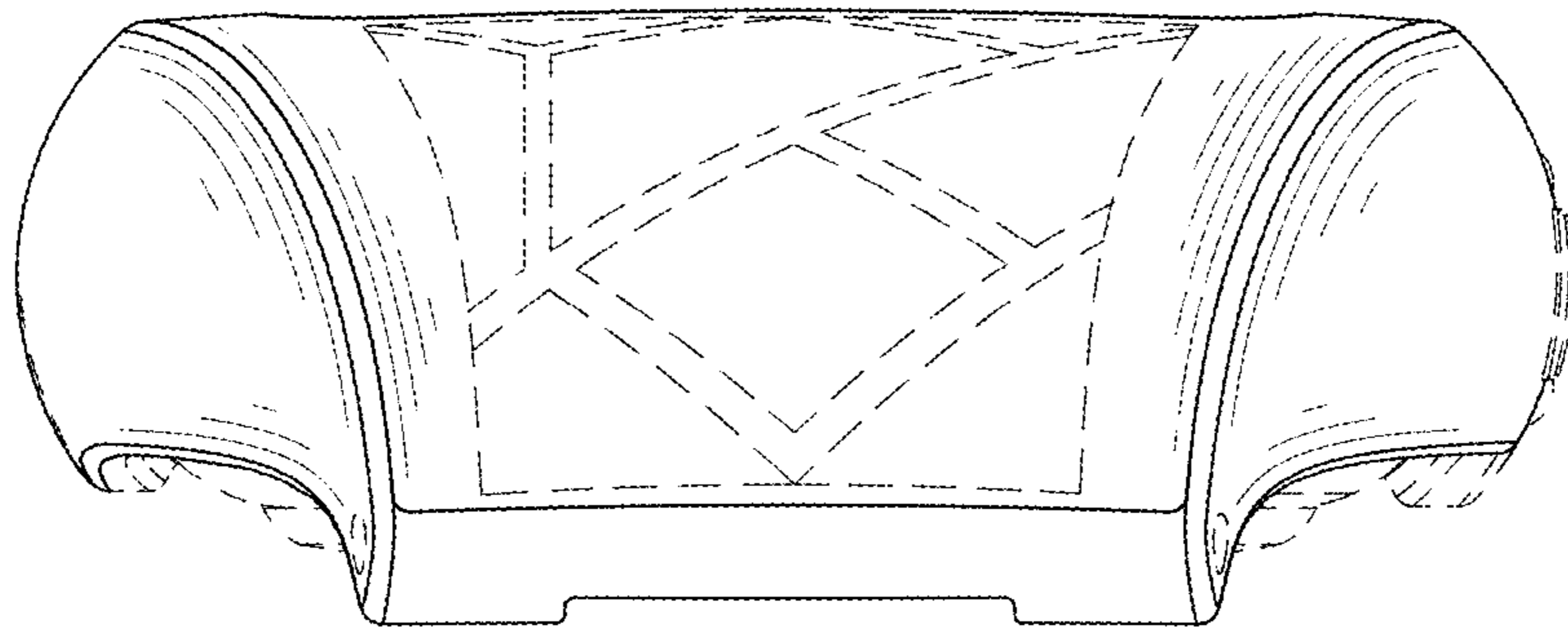


FIG. 3

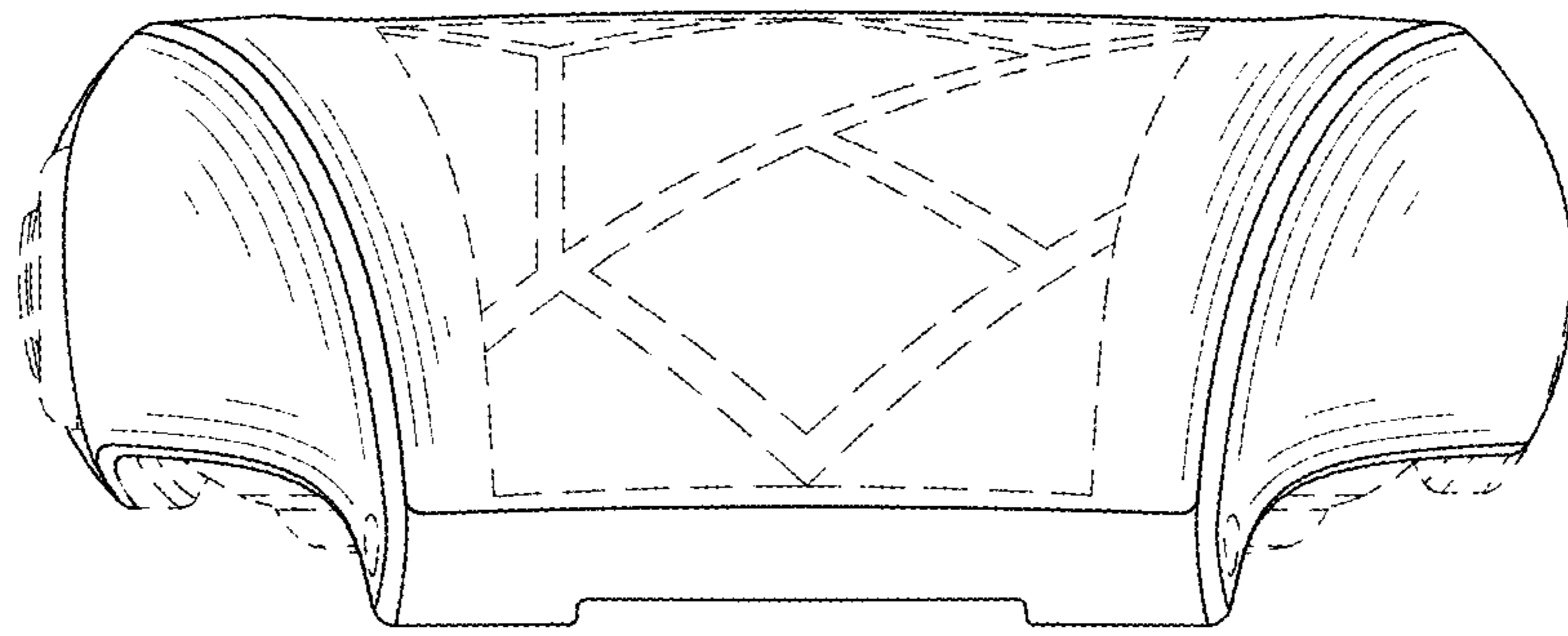


FIG. 4

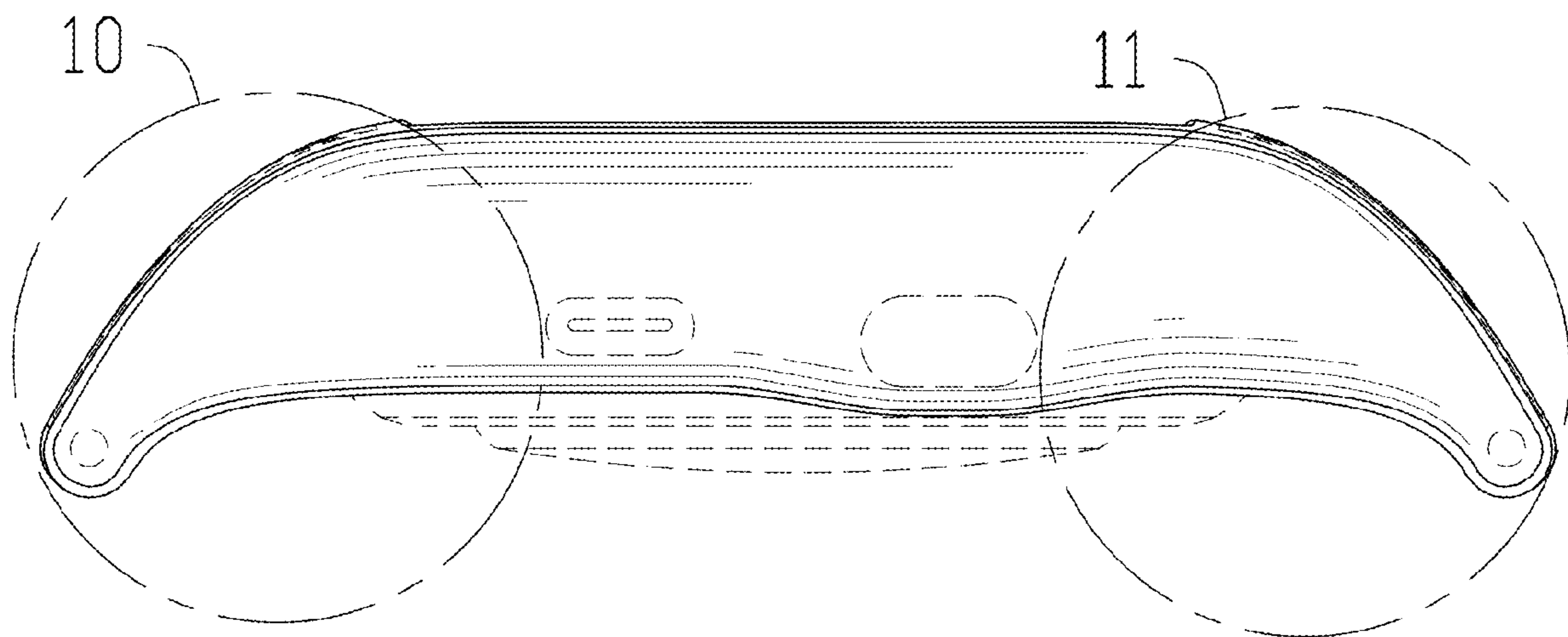


FIG. 5

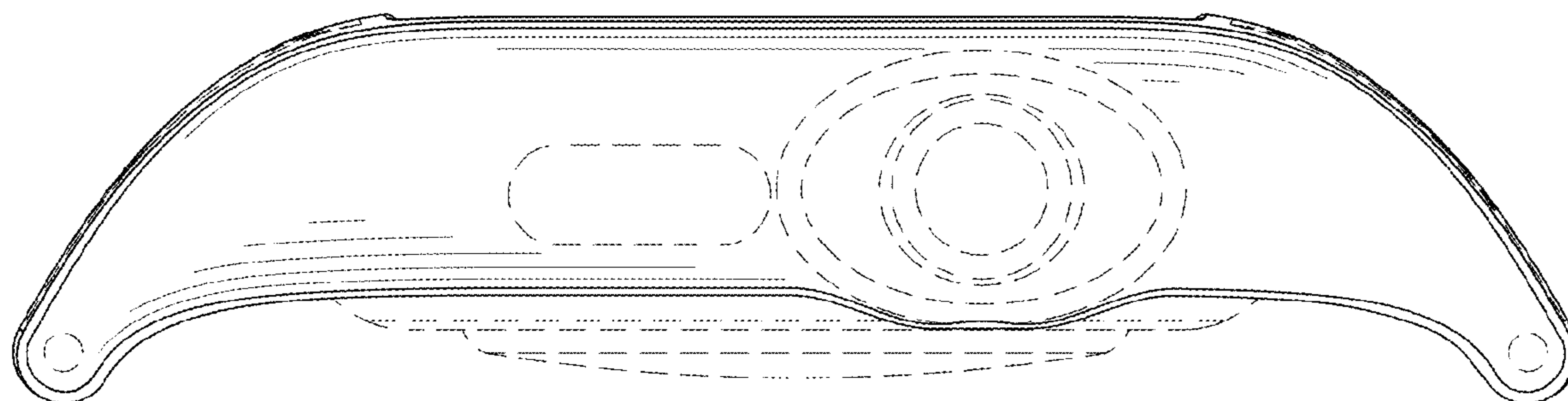


FIG. 6

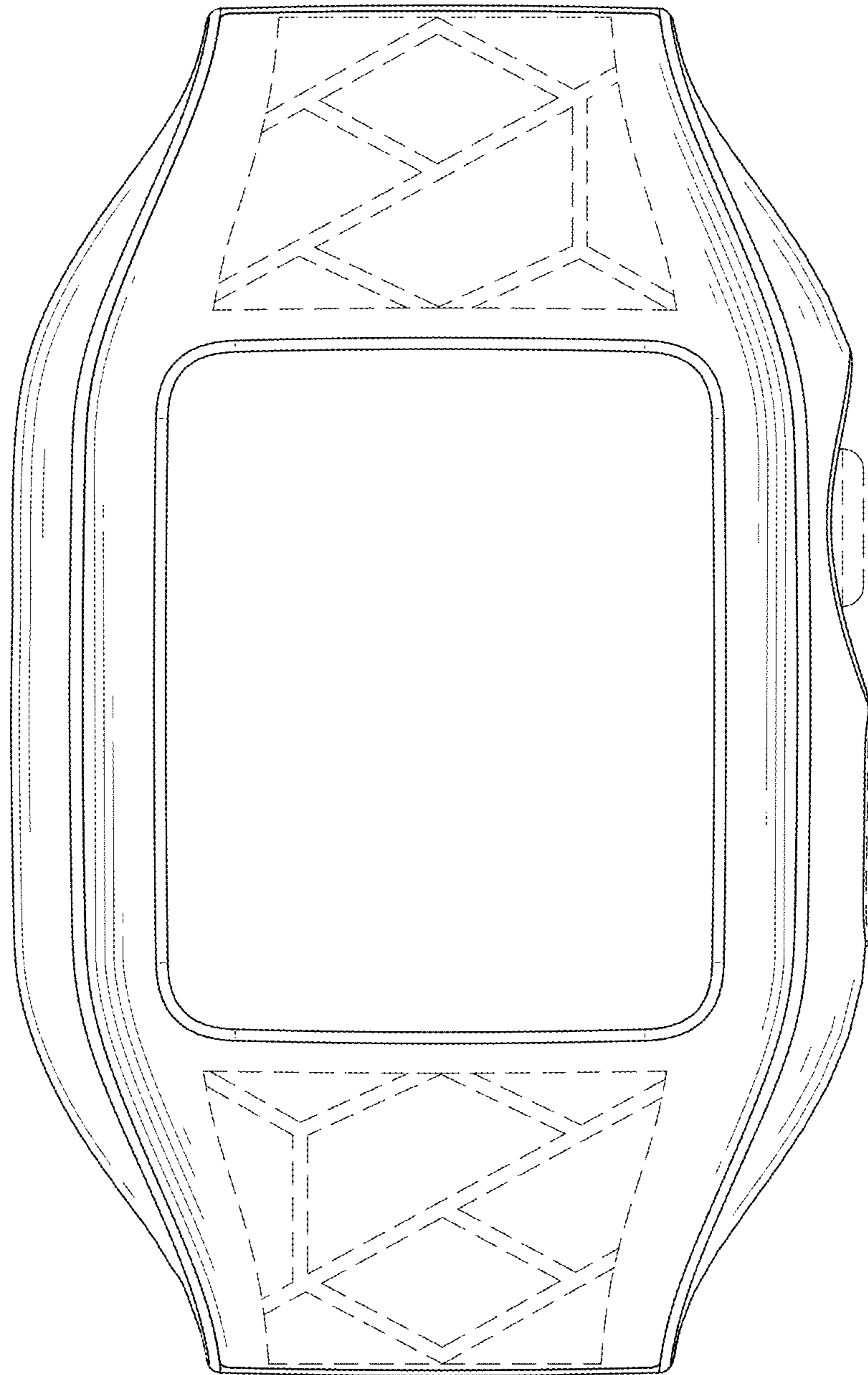


FIG. 7

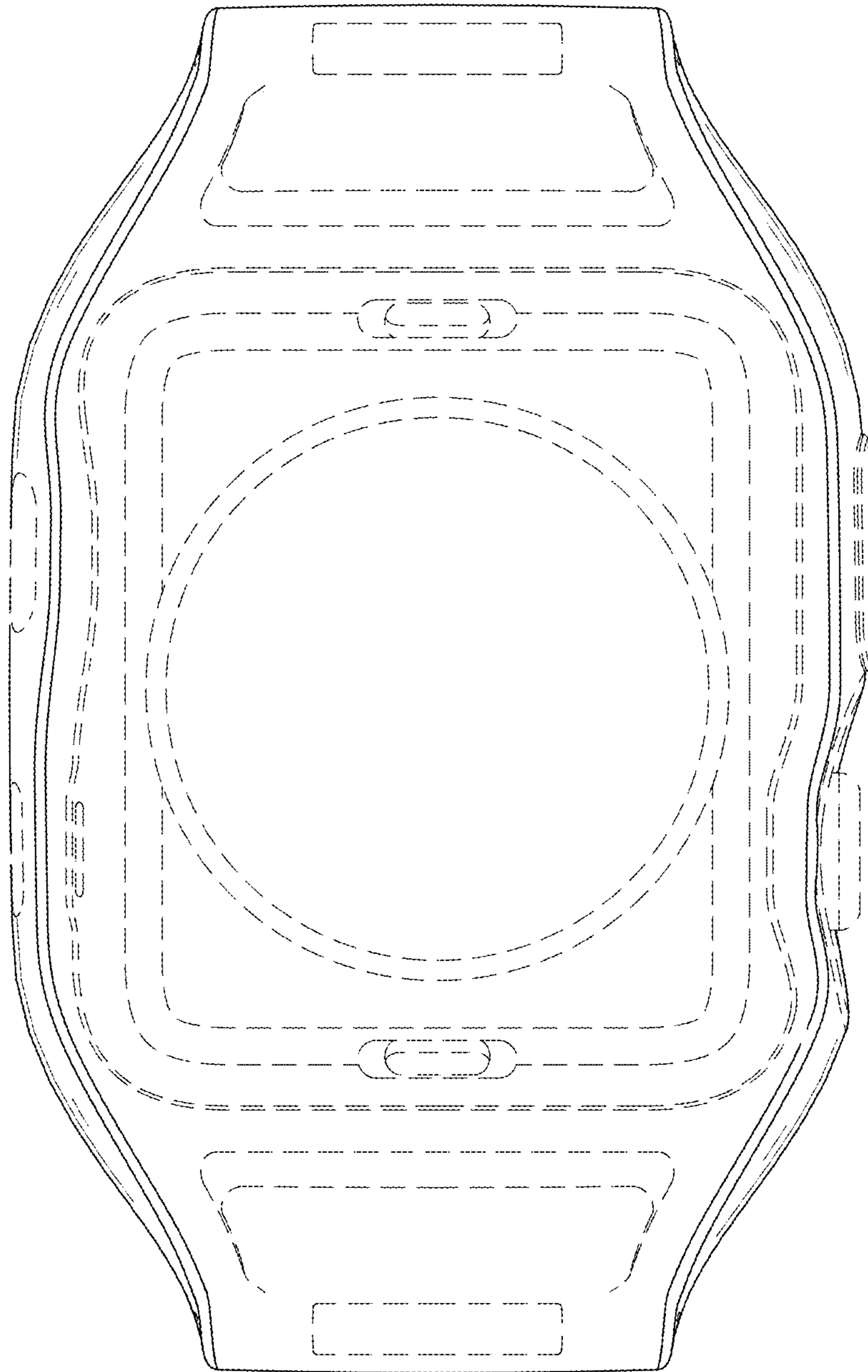


FIG. 8

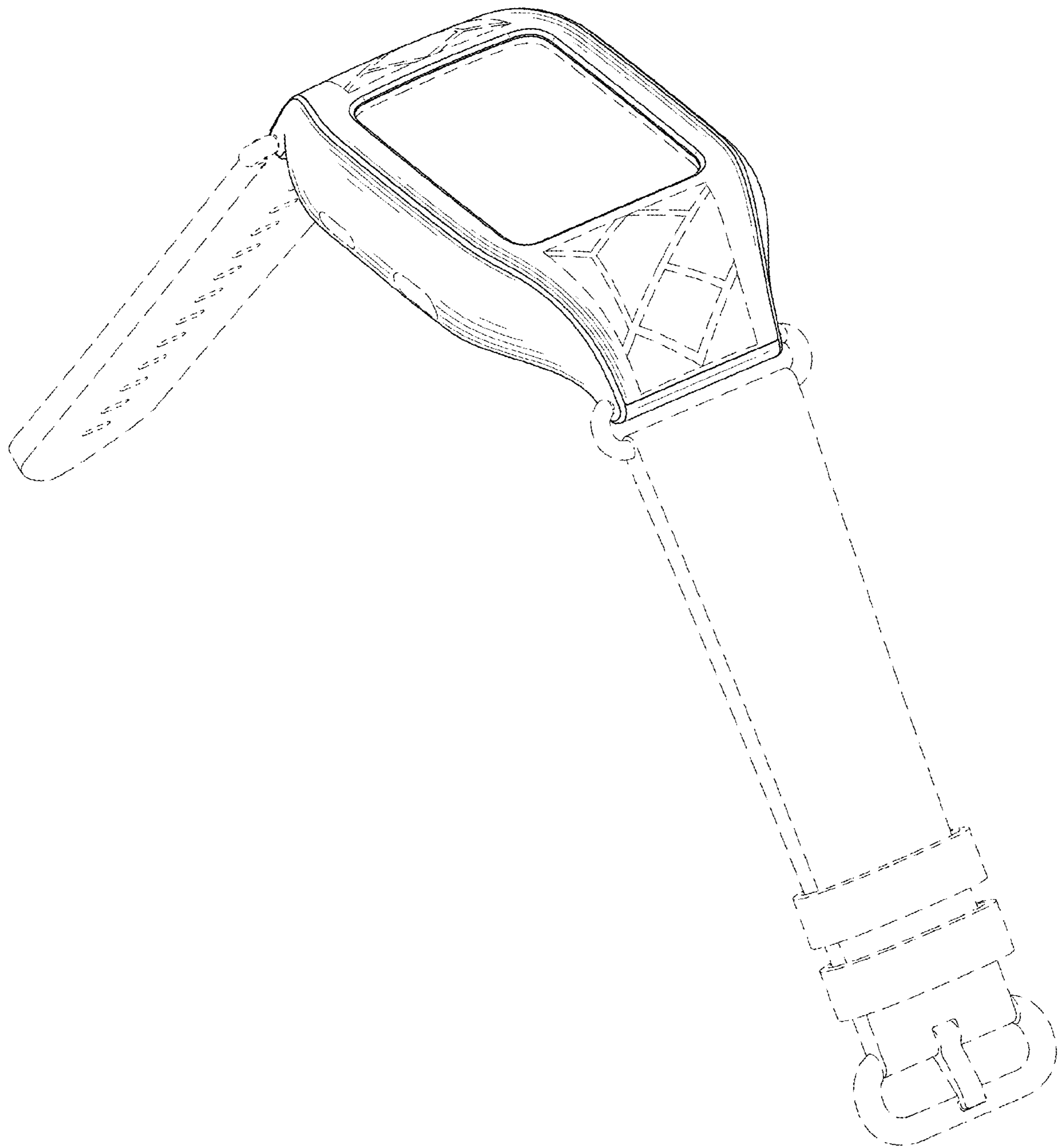


FIG. 9

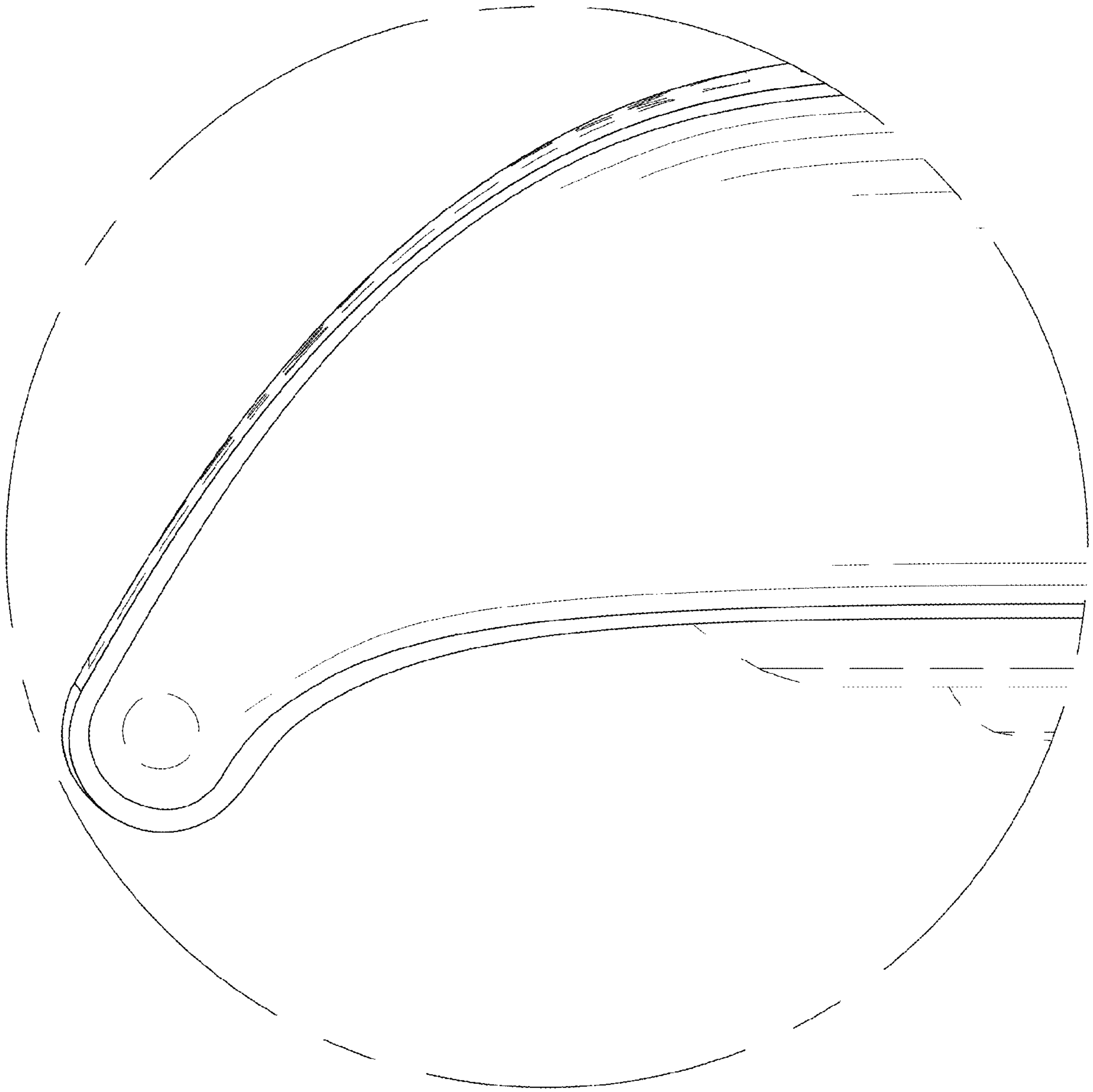


FIG. 10

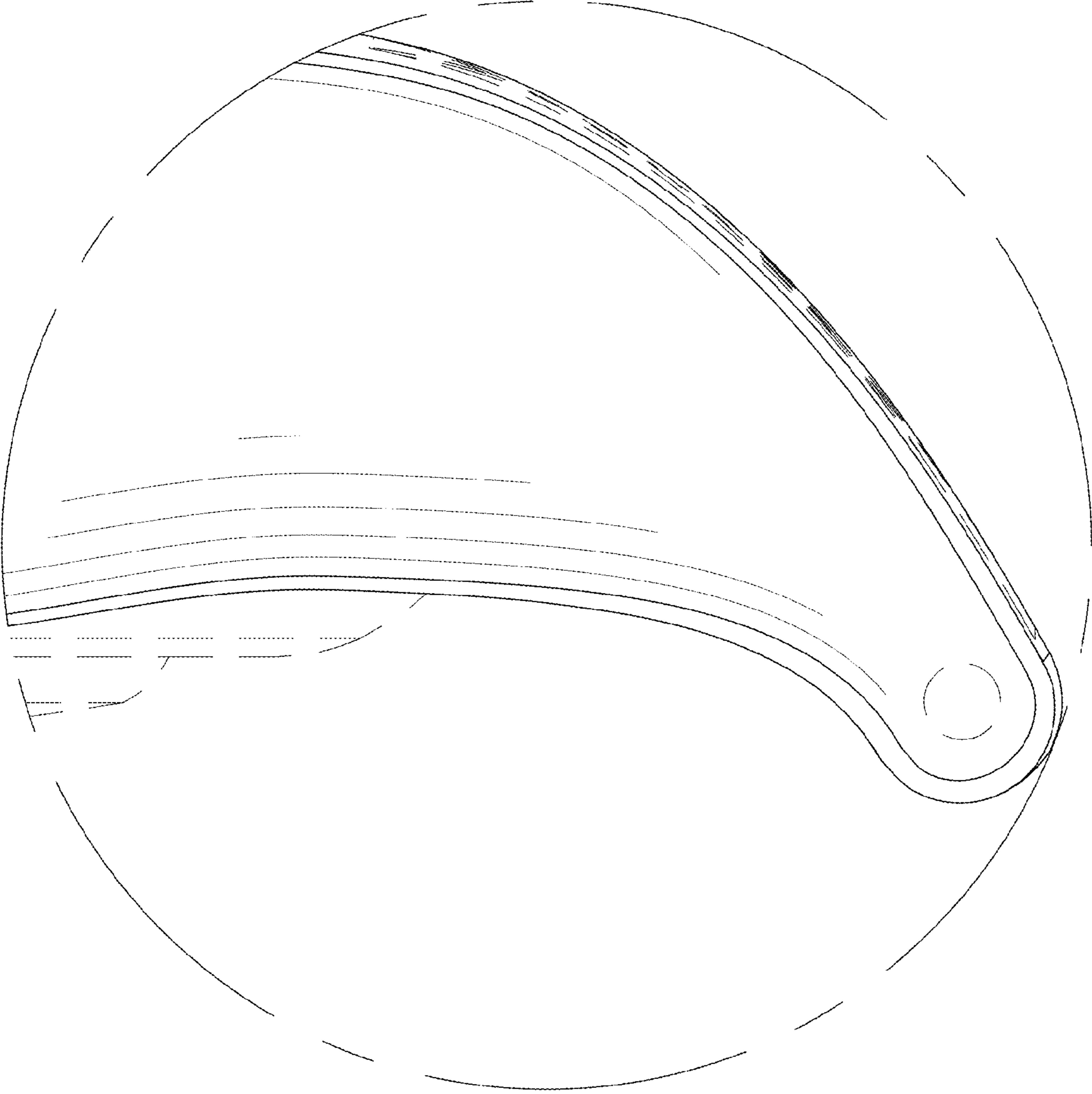


FIG. 11