



US00D874965S

(12) **United States Design Patent**  
**Siminoff et al.**

(10) **Patent No.:** **US D874,965 S**

(45) **Date of Patent:** **\*\* Feb. 11, 2020**

(54) **SOLAR-CHARGING MOUNTING BRACKET**

(71) Applicant: **Amazon Technologies, Inc.**, Seattle, WA (US)

(72) Inventors: **James Siminoff**, Pacific Palisades, CA (US); **Spiro Sacre**, Los Angeles, CA (US); **Christopher Loew**, Palo Alto, CA (US); **Mark Siminoff**, Mountain View, CA (US)

(73) Assignee: **Amazon Technologies, Inc.**, Seattle, WA (US)

(\*\*) Term: **15 Years**

(21) Appl. No.: **29/702,207**

(22) Filed: **Aug. 16, 2019**

**Related U.S. Application Data**

(63) Continuation of application No. 29/699,188, filed on Jul. 23, 2019, which is a continuation of application No. 29/595,956, filed on Mar. 3, 2017, now Pat. No. Des. 856,839.

(51) **LOC (12) Cl.** ..... **10-05**

(52) **U.S. Cl.**  
USPC ..... **D10/121**

(58) **Field of Classification Search**  
USPC ..... D10/104.1, 108, 116.1, 118, 118.2, D10/121-126; D16/202, 203, 208, 209, D16/215; D8/350, 353  
CPC ... G08B 3/00; G08B 3/10; G08B 7/00; G08B 7/06; G08B 13/1436; G08B 13/1463; G08B 13/1481

See application file for complete search history.

(56) **References Cited**

**U.S. PATENT DOCUMENTS**

D197,066 S \* 12/1963 Pulos ..... D8/353  
D298,733 S \* 11/1988 Pool ..... D8/353

D311,705 S \* 10/1990 Thorp ..... D10/121  
5,041,698 A \* 8/1991 Takagi ..... H02G 3/14  
174/66  
D325,902 S 5/1992 Hudson et al.  
D327,212 S \* 6/1992 Hubben ..... D8/353  
D382,535 S 8/1997 Chiang  
(Continued)

**FOREIGN PATENT DOCUMENTS**

WO WO2019001336 1/2019

**OTHER PUBLICATIONS**

Amazon.com: Solar Charger Mount Compatible with Ring Video Doorbell 1—Continuous Charging for Maximum Efficiency (Black), retrieved from <<https://www.amazon.com/solar-charger-mount-compatible-doorbell/dp/B07LCGB5GG>> on Jul. 10, 2019.  
(Continued)

*Primary Examiner* — George D. Kirschbaum  
*Assistant Examiner* — Joseph J Kukella  
(74) *Attorney, Agent, or Firm* — Lee & Hayes, P.C.

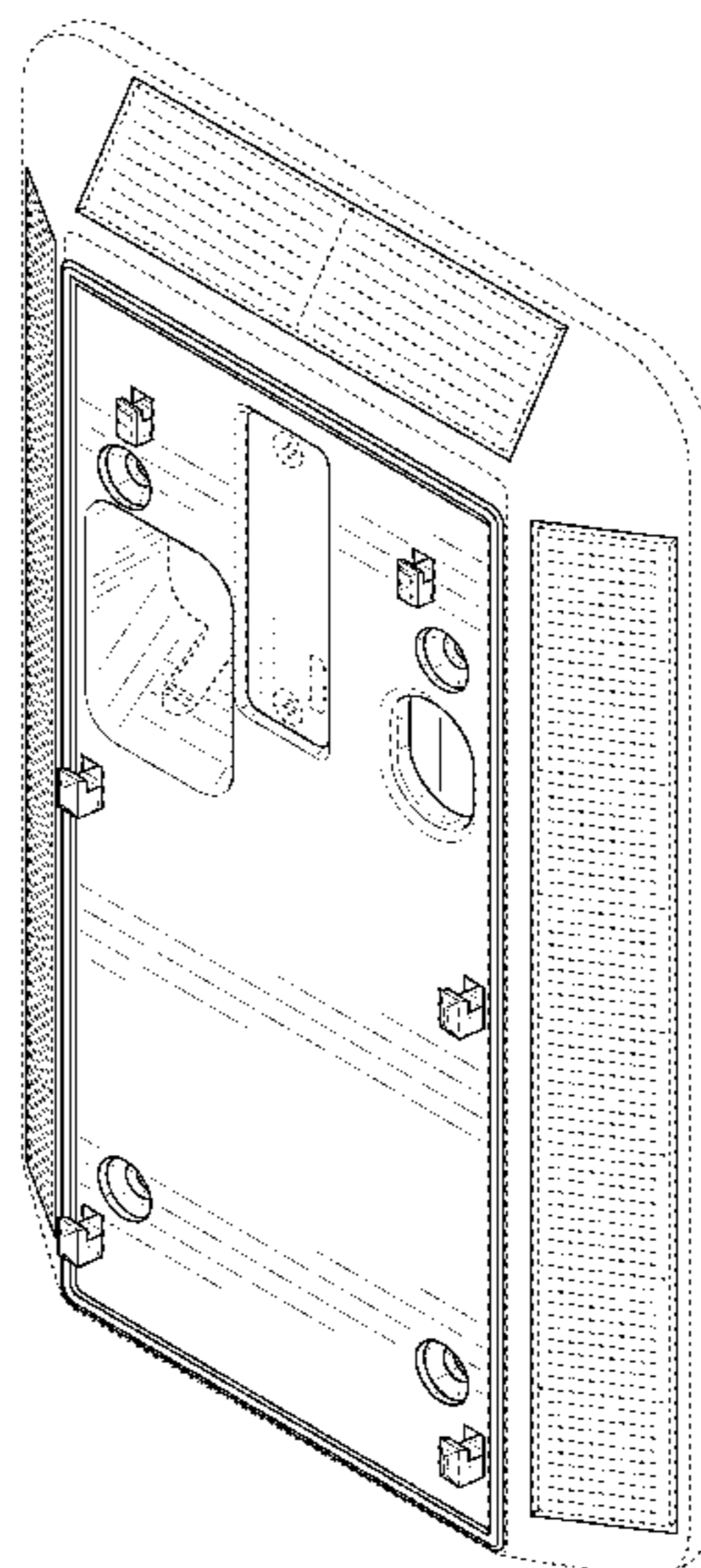
(57) **CLAIM**

The ornamental design for a solar-charging mounting bracket, as shown and described.

**DESCRIPTION**

FIG. 1 is a front, top, right-side perspective view of a solar-charging mounting bracket;  
FIG. 2 is a front elevation view thereof;  
FIG. 3 is a back elevation view thereof;  
FIG. 4 is a right-side elevation view thereof;  
FIG. 5 is a left-side elevation view thereof;  
FIG. 6 is a top plan view thereof; and,  
FIG. 7 is a bottom plan view thereof.  
The broken lines depict portions of the solar-charging mounting bracket that form no part of the claimed design.

**1 Claim, 5 Drawing Sheets**



(56)

**References Cited**

U.S. PATENT DOCUMENTS

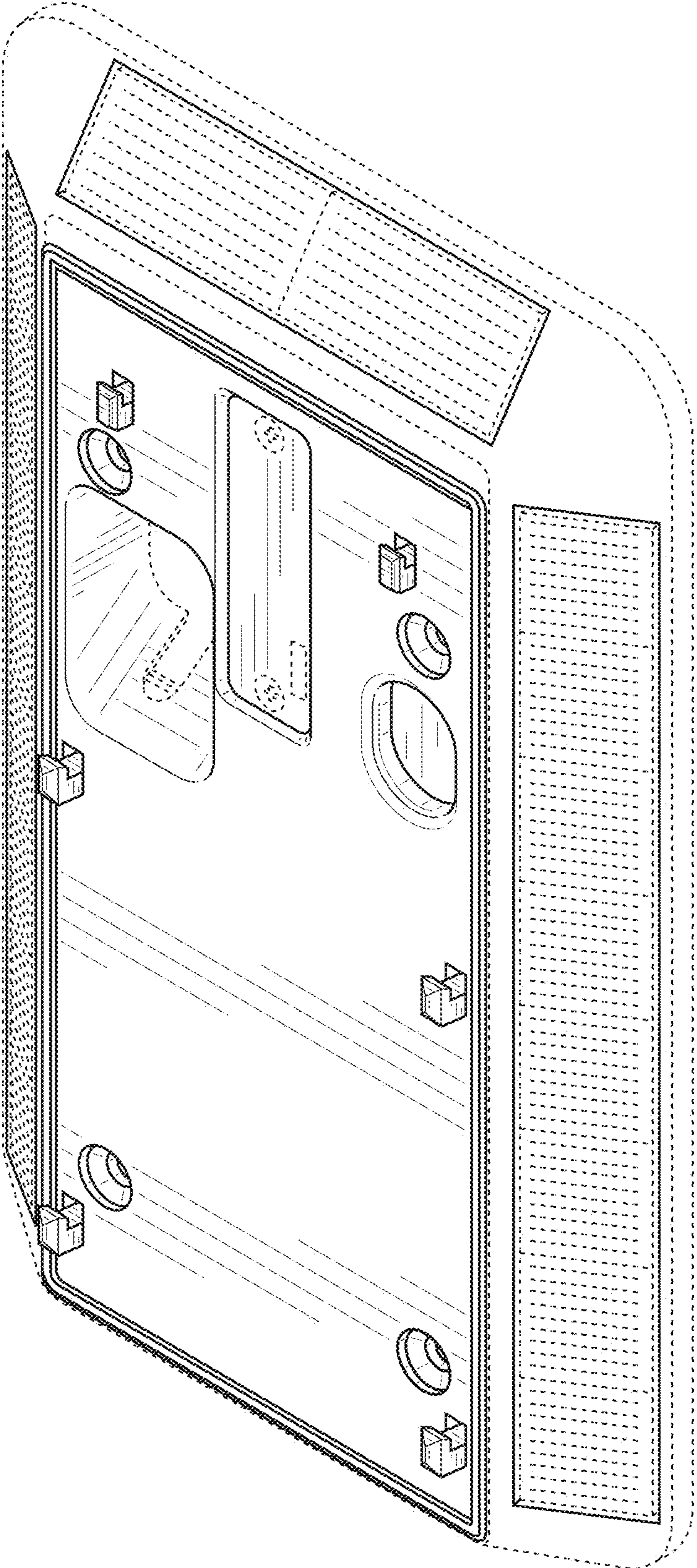
D439,536 S \* 3/2001 Matsuda ..... D10/106.1  
 D450,665 S 11/2001 Isely et al.  
 D462,915 S \* 9/2002 Bush ..... D10/121  
 D489,680 S 5/2004 Stobart  
 D532,384 S 11/2006 Aupperle  
 D560,605 S 1/2008 McClintock et al.  
 D560,606 S 1/2008 McClintock et al.  
 D573,005 S \* 7/2008 Huang ..... H02G 3/14  
 D8/353  
 D642,515 S 8/2011 Crawford et al.  
 D650,761 S 12/2011 Cheng et al.  
 D659,086 S 5/2012 Grauer  
 D676,374 S 2/2013 Chu  
 D695,213 S 12/2013 Anderson  
 D697,023 S 1/2014 Fallon  
 D700,134 S 2/2014 Fallon  
 D703,083 S 4/2014 Saikawa et al.  
 D715,731 S 10/2014 Nook et al.

D742,340 S 11/2015 Krivonak et al.  
 D773,394 S 12/2016 Marinelli et al.  
 D798,813 S 10/2017 Marinelli et al.  
 D804,287 S \* 12/2017 Baldwin ..... D8/350  
 D813,801 S 3/2018 Wabel et al.  
 D825,450 S 8/2018 Felder  
 D830,293 S 10/2018 Musashi  
 D836,064 S 12/2018 Liu  
 D852,130 S 6/2019 Siminoff et al.  
 D856,839 S \* 8/2019 Siminoff ..... D10/121  
 2018/0255216 A1 9/2018 Siminoff et al.

OTHER PUBLICATIONS

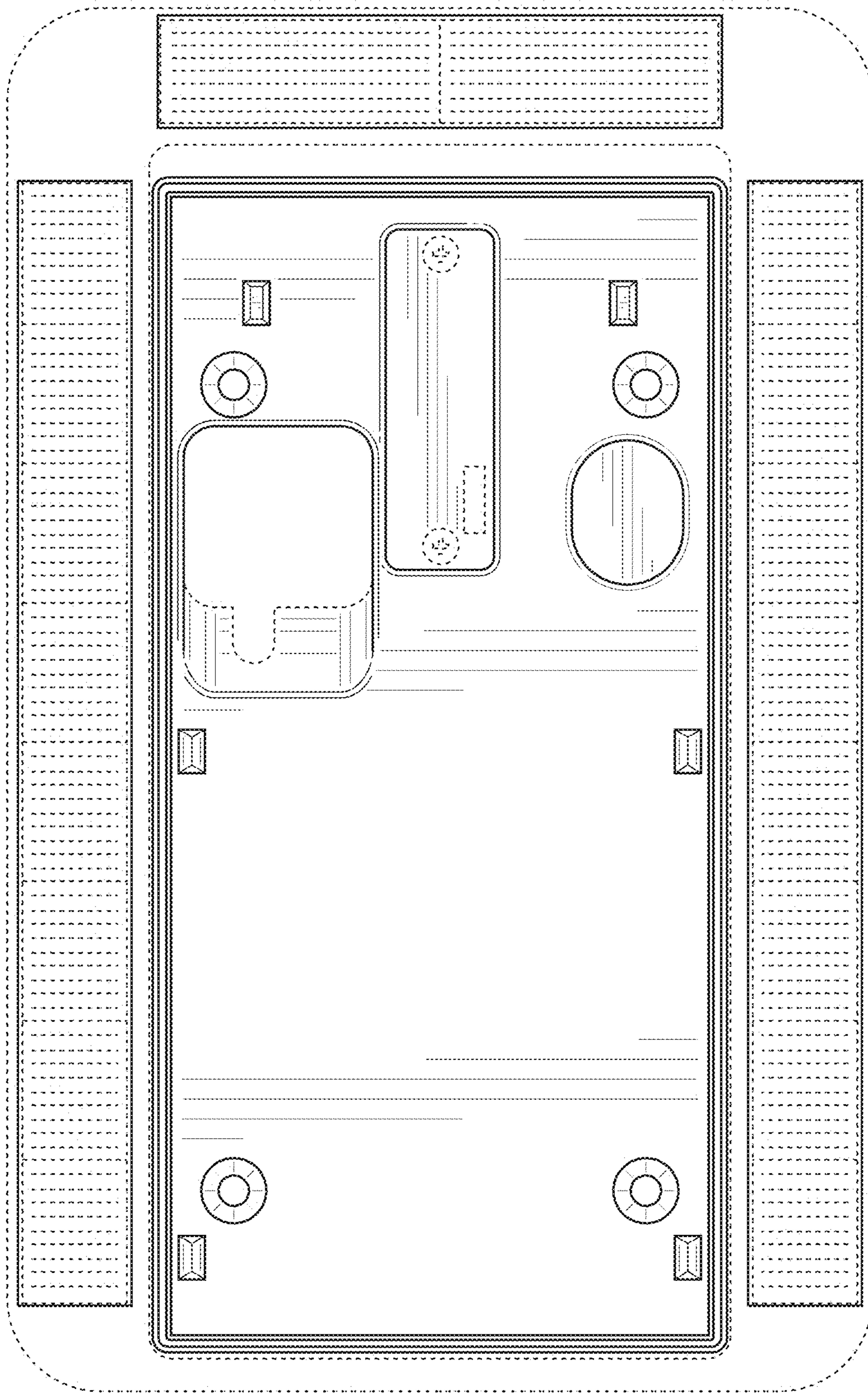
Wasserstein Weatherproof Solar Charger Mount for Ring Video Doorbell 2—Continuous Charging for Maximum Efficiency (White), retrieved from <[https://www.amazon.com/Wasserstein-Weatherproof-Solar-Charger-Doorbell/dp/B07DWNJG7/ref=sr\\_1\\_2?keywords=B07K3PVCQ78&qid=15627%E2%80%A6](https://www.amazon.com/Wasserstein-Weatherproof-Solar-Charger-Doorbell/dp/B07DWNJG7/ref=sr_1_2?keywords=B07K3PVCQ78&qid=15627%E2%80%A6)> on Jul. 10, 2019.

\* cited by examiner

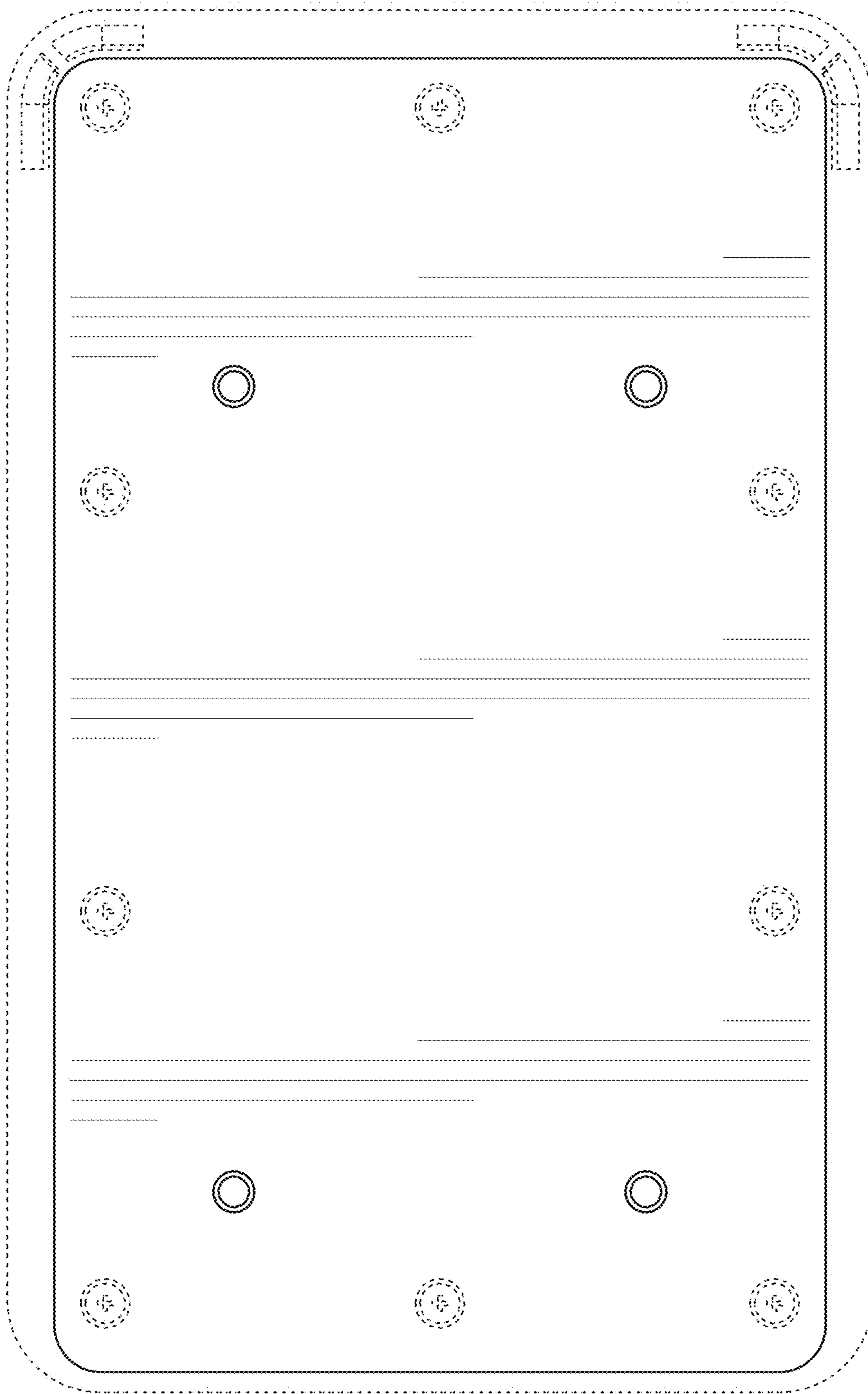


**FIG. 1**

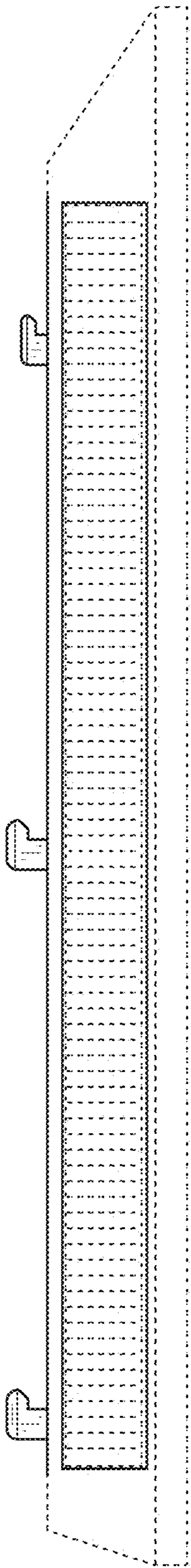




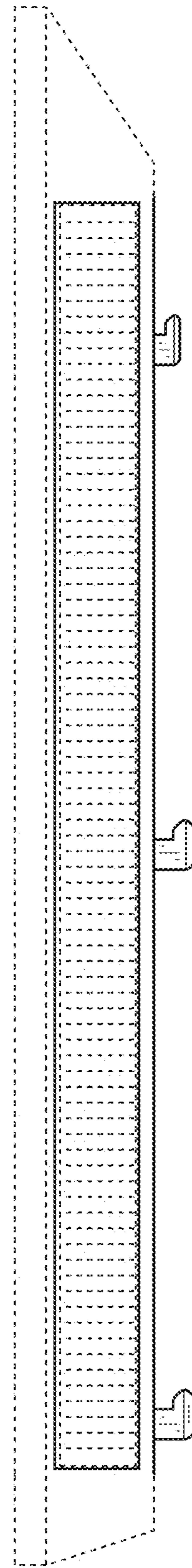
**FIG. 2**



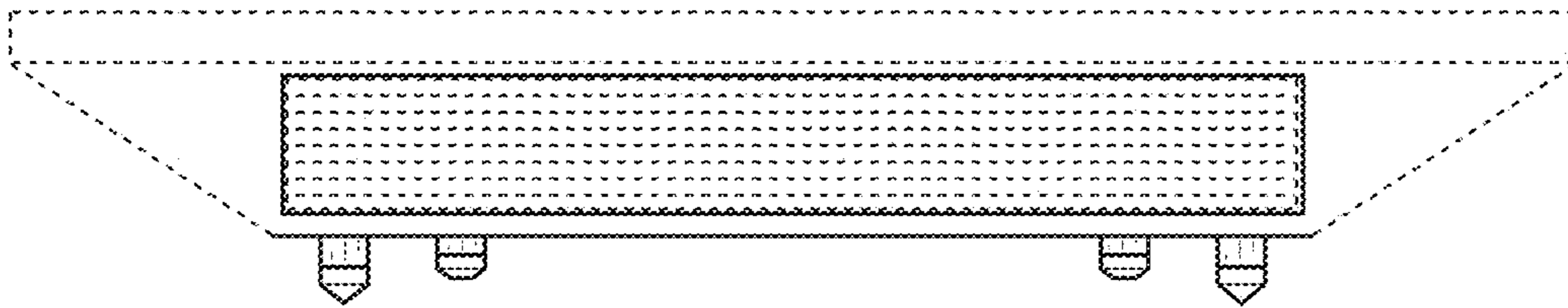
**FIG. 3**



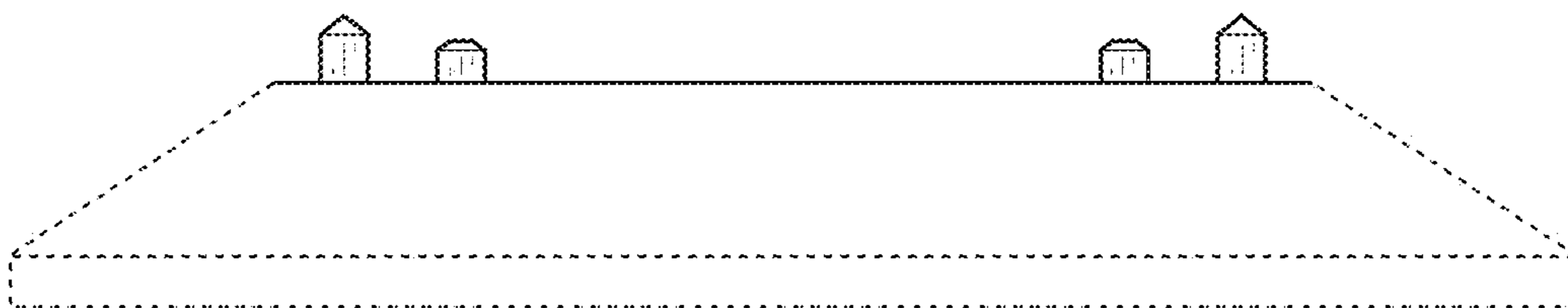
**FIG. 4**



**FIG. 5**



**FIG. 6**



**FIG. 7**