



US00D874964S

(12) **United States Design Patent** (10) **Patent No.:** **US D874,964 S**
Bai et al. (45) **Date of Patent:** **** Feb. 11, 2020**

(54) **BLOCKING MEMBERS IN A SMOKE DETECTOR CHAMBER** 6,756,905 B2 * 6/2004 Rattman G08B 17/107 250/574
7,248,173 B2 7/2007 Yamasaki et al.
8,970,387 B2 3/2015 Brigham
9,013,317 B2 4/2015 Brigham
9,196,141 B1 * 11/2015 Schmidt G08B 29/185
9,459,208 B2 * 10/2016 Orsini G01N 21/53
9,824,564 B2 11/2017 Bressanutti et al.
(71) Applicant: **Analog Devices, Inc.**, Norwood, MA (US)
(72) Inventors: **Jiawen Bai**, Brighton, MA (US); **Ryan Frazier**, Boston, MA (US); **Ying Zhao**, Andover, MA (US); **Shrenik Deliwala**, Andover, MA (US)

FOREIGN PATENT DOCUMENTS

DE 202015000820 U1 3/2015
GB 2397122 A 7/2004
WO 2016/150613 A1 9/2016

* cited by examiner

Primary Examiner — George D. Kirschbaum
(74) *Attorney, Agent, or Firm* — Patent Capital Group

(73) Assignee: **ANALOG DEVICES, INC.**, Norwood, MA (US)
(**) Term: **15 Years**
(21) Appl. No.: **29/692,092**
(22) Filed: **May 22, 2019**

Related U.S. Application Data

(63) Continuation of application No. 16/206,268, filed on Nov. 30, 2018, which is a continuation-in-part of application No. 16/181,878, filed on Nov. 6, 2018.
(51) **LOC (12) Cl.** **10-05**
(52) **U.S. Cl.**
USPC **D10/121**
(58) **Field of Classification Search**
USPC D10/121, 106.2, 106.5
CPC G08B 29/185; G08B 17/107; G01N 21/53
See application file for complete search history.

(57) **CLAIM**

The ornamental design for blacking members in a smoke detector chamber, as shown and described.

DESCRIPTION

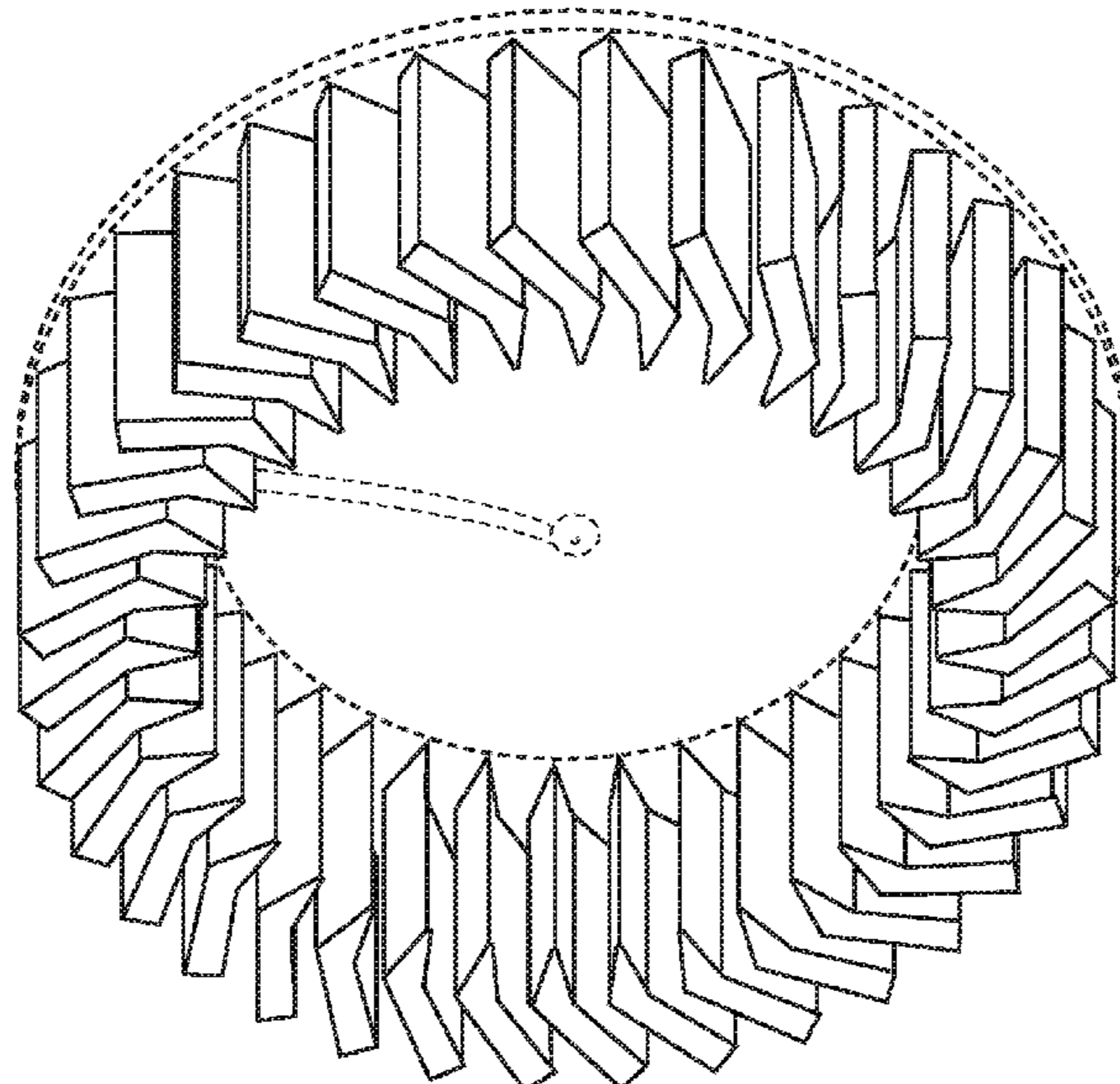
FIG. 1 is bottom view;
FIG. 2 is a side view;
FIG. 3 is a cross-sectional view taken along the lines 3-3 of FIG. 1;
FIG. 4 is top;
FIG. 5 is an alternate side view;
FIG. 6 is an alternate bottom; and,
FIG. 7 is an perspective view.
The broken lines in the drawings illustrate portions of the blocking members that form no part of the claimed design. Any unshaded regions bounded by broken lines in the drawings illustrate the bounds of the claim and form no part thereof. Non-oblique line shading represents contour and not surface ornamentation.

(56) **References Cited**

U.S. PATENT DOCUMENTS

D297,318 S * 8/1988 Taylor D10/121
4,857,895 A 8/1989 Kaprelian
4,906,978 A 3/1990 Best
5,451,931 A 9/1995 Muller et al.
6,396,405 B1 * 5/2002 Bernal G08B 17/107 250/574

1 Claim, 6 Drawing Sheets



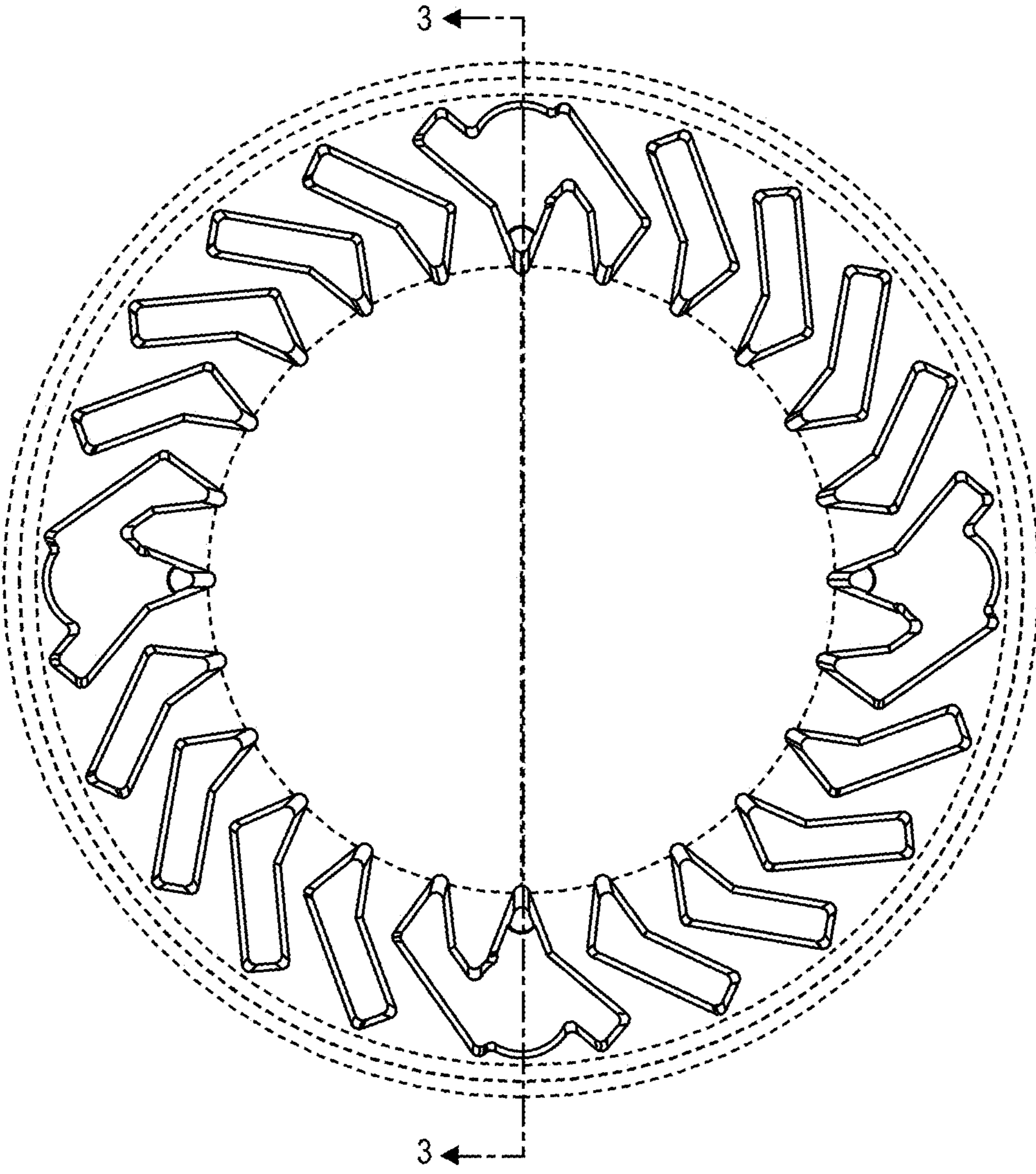


FIG. 1

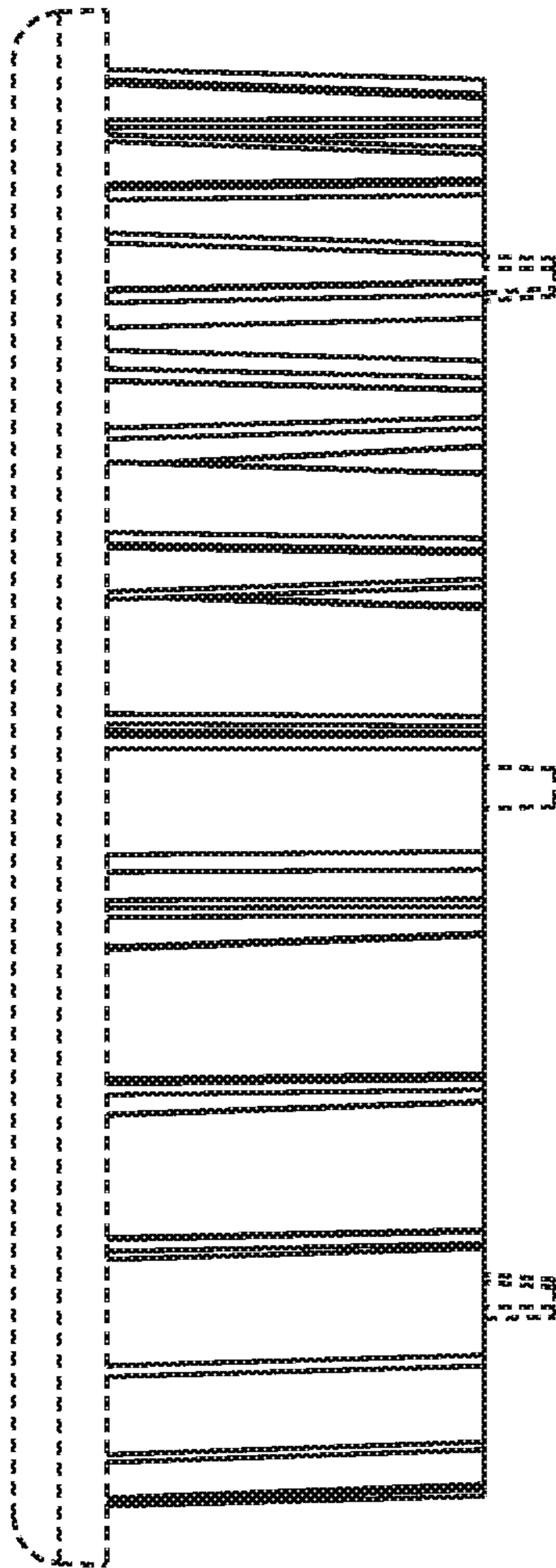


FIG. 2

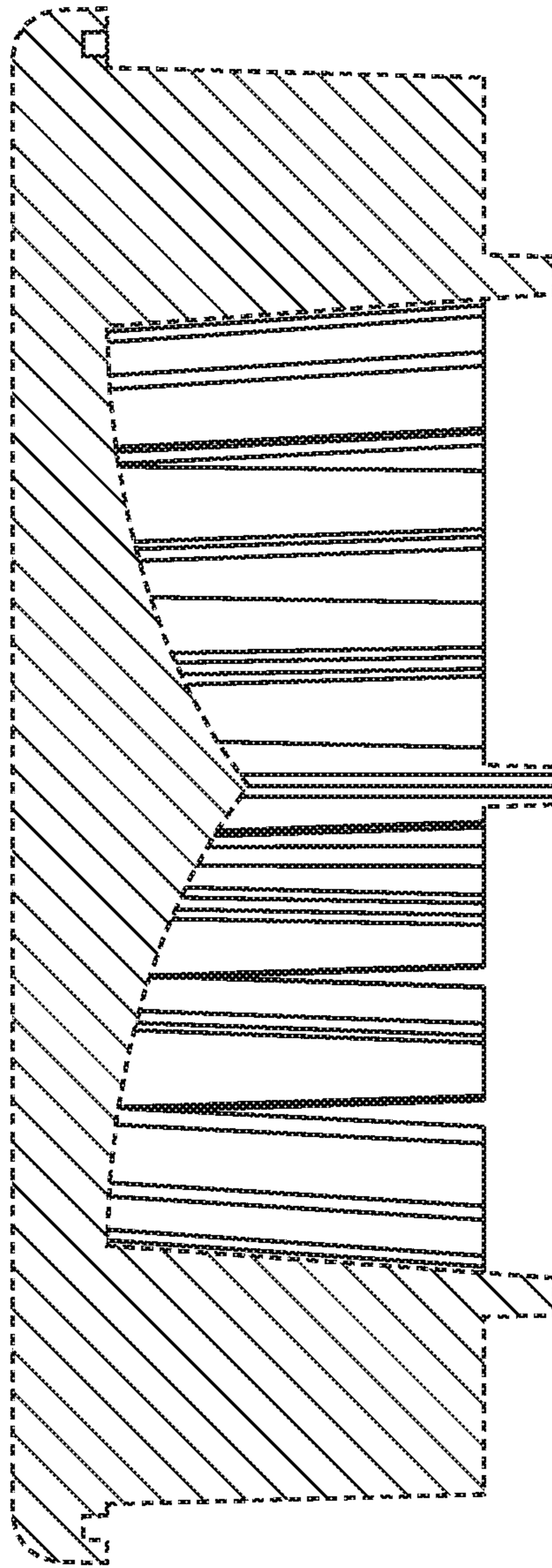


FIG. 3

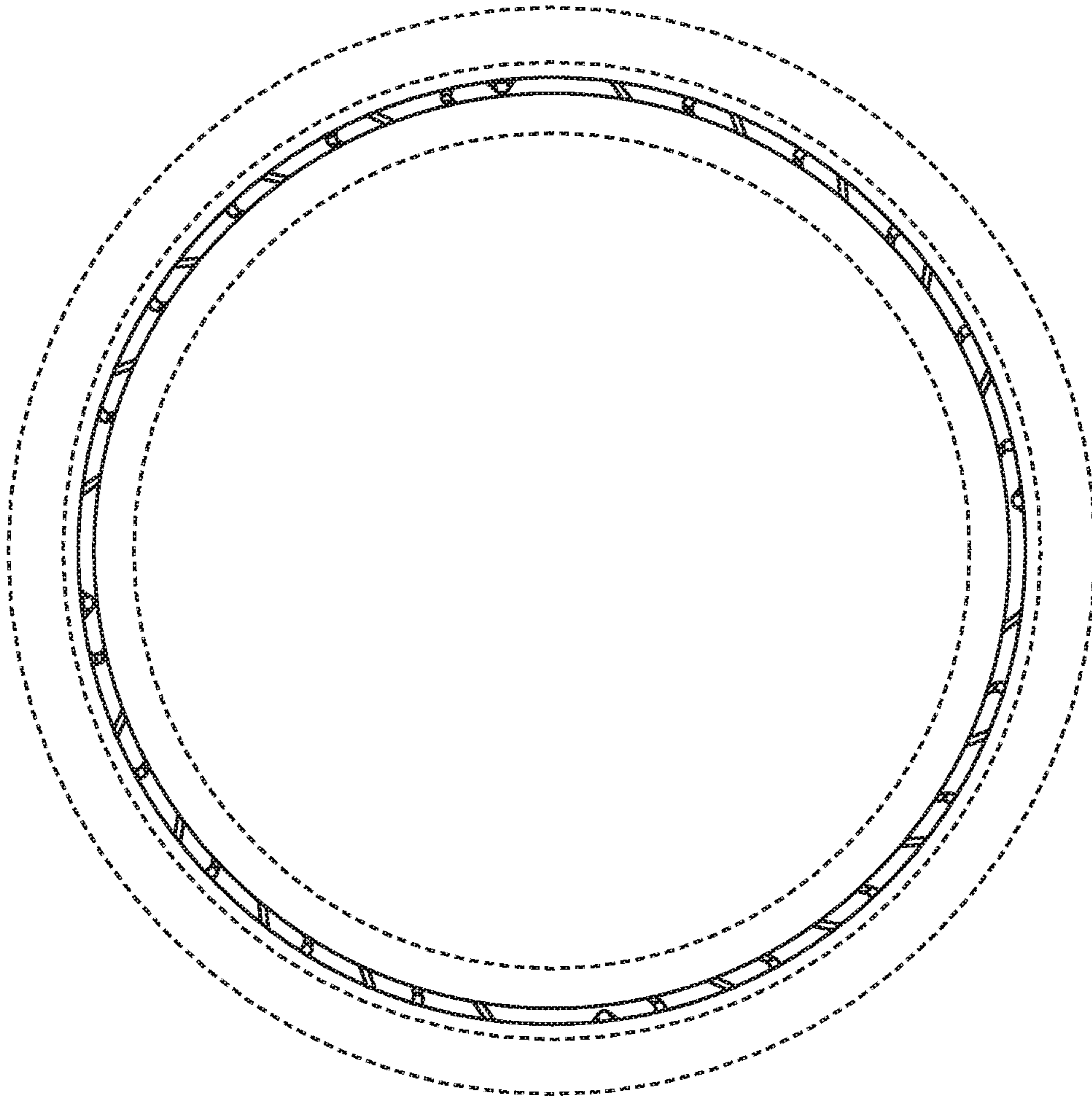


FIG. 4

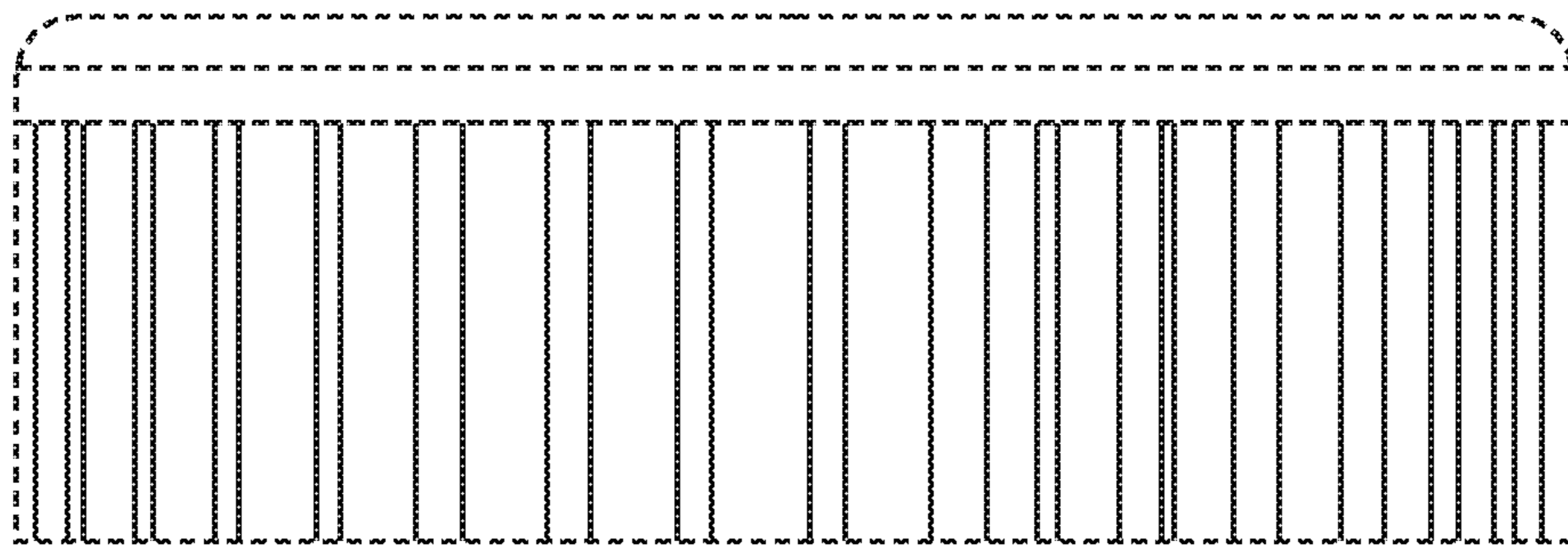


FIG. 5

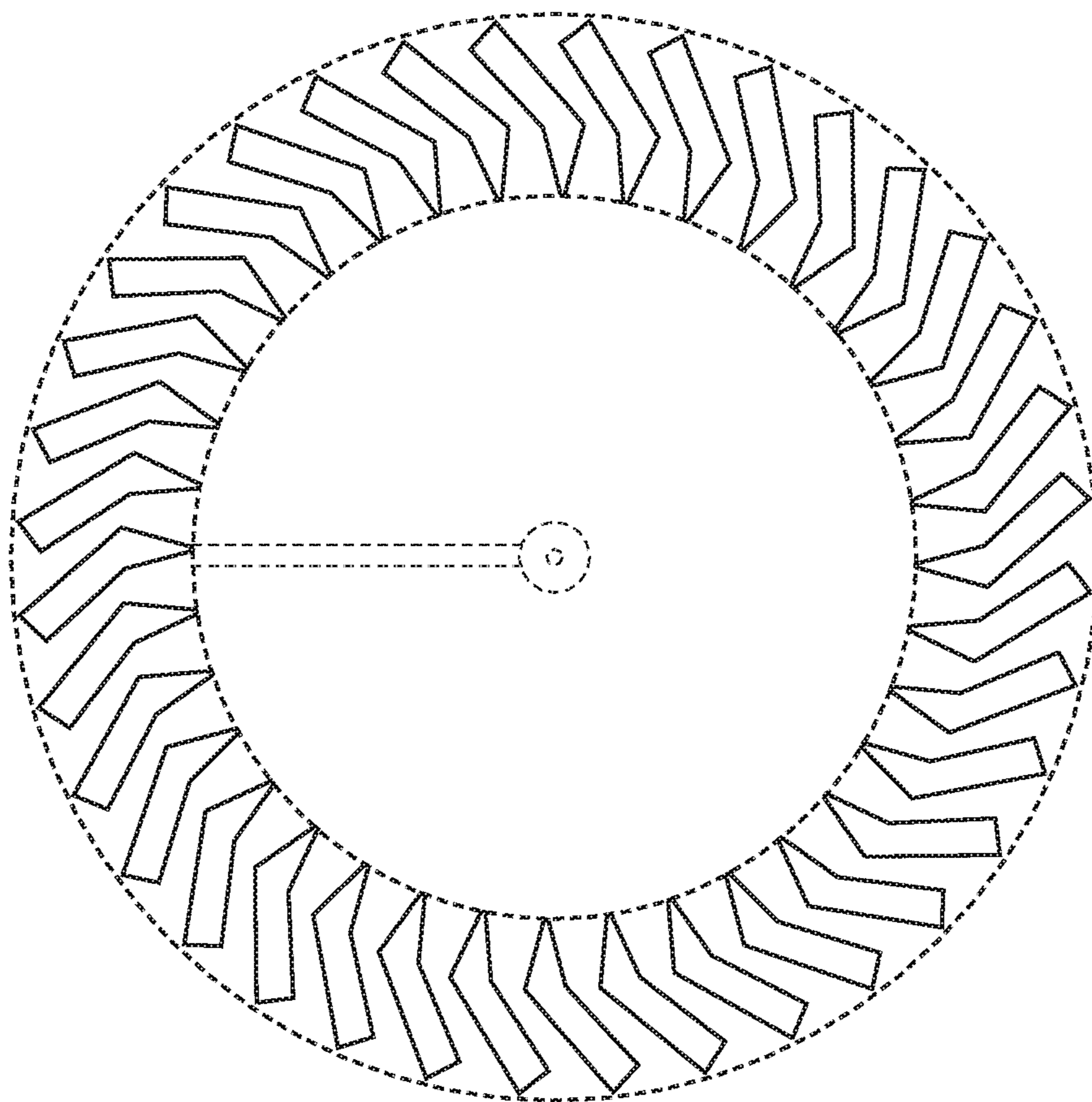


FIG. 6

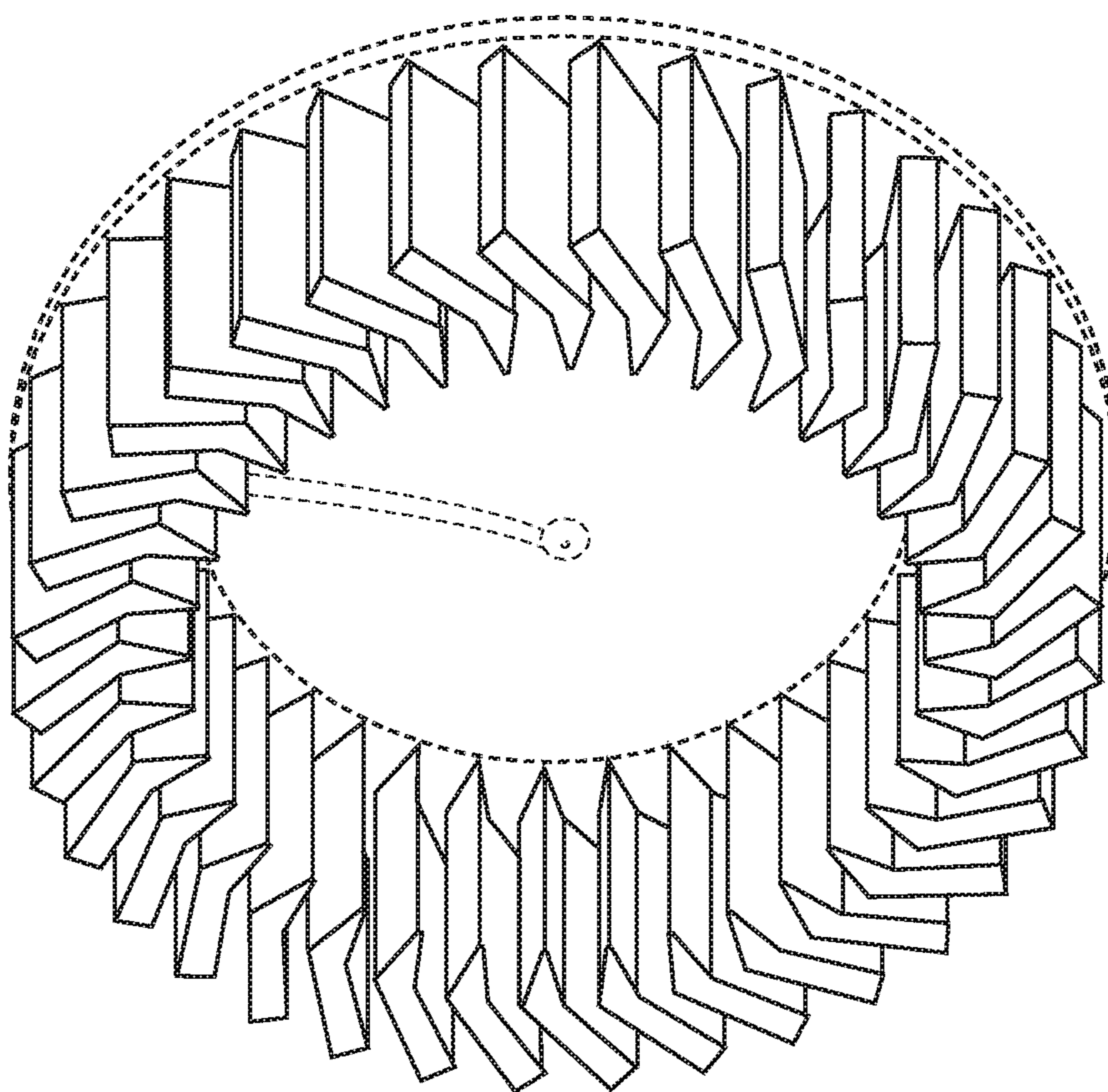


FIG. 7