



US00D874963S

(12) **United States Design Patent** (10) **Patent No.:** **US D874,963 S**
Siminoff et al. (45) **Date of Patent:** **** Feb. 11, 2020**

- (54) **AUDIO/VIDEO DOORBELL**
- (71) Applicant: **Amazon Technologies, Inc.**, Seattle, WA (US)
- (72) Inventors: **James Siminoff**, Pacific Palisades, CA (US); **John Modestine**, Los Angeles, CA (US); **Christopher Loew**, Palo Alto, CA (US)
- (73) Assignee: **Amazon Technologies, Inc.**, Seattle, WA (US)
- (**) Term: **15 Years**
- (21) Appl. No.: **29/674,341**
- (22) Filed: **Dec. 20, 2018**

- D789,820 S * 6/2017 Siminoff D10/118.2
- D798,177 S * 9/2017 Siminoff D10/118.2
- D802,463 S * 11/2017 Siminoff D10/118.2
- D820,706 S * 6/2018 Siminoff D10/118.2
- D840,858 S * 2/2019 Siminoff D10/118.2
- D848,300 S * 5/2019 Siminoff D10/118.2
- D848,891 S * 5/2019 Paredes D10/118.2
- D850,314 S * 6/2019 Laurans D10/118.2
- D853,265 S * 7/2019 Grearson D10/118.2

(Continued)

Primary Examiner — George D. Kirschbaum
Assistant Examiner — Joseph J Kukella
(74) *Attorney, Agent, or Firm* — Lee & Hayes, P.C.

(57) **CLAIM**

The ornamental design for an audio/video doorbell, as shown and described.

DESCRIPTION

FIG. 1 is a front perspective view of the audio/visual doorbell according to the present design;
 FIG. 2 is a front elevation view of the audio/visual doorbell of FIG. 1;
 FIG. 3 is a rear elevation view of the audio/visual doorbell of FIG. 1;
 FIG. 4 is a right-side elevation view of the audio/visual doorbell of FIG. 1;
 FIG. 5 is a left-side elevation view of the audio/visual doorbell of FIG. 1;
 FIG. 6 is a top plan view of the audio/visual doorbell of FIG. 1;
 FIG. 7 is a bottom plan view of the audio/visual doorbell of FIG. 1; and,
 FIG. 8 is a front perspective view of the audio/visual doorbell of FIG. 1 engaged with a junction box, which is shown only to illustrate an example environment for the audio/visual doorbell.
 In the drawings, the broken lines depict portions of the audio/visual doorbell that form no part of the claimed design.

Related U.S. Application Data

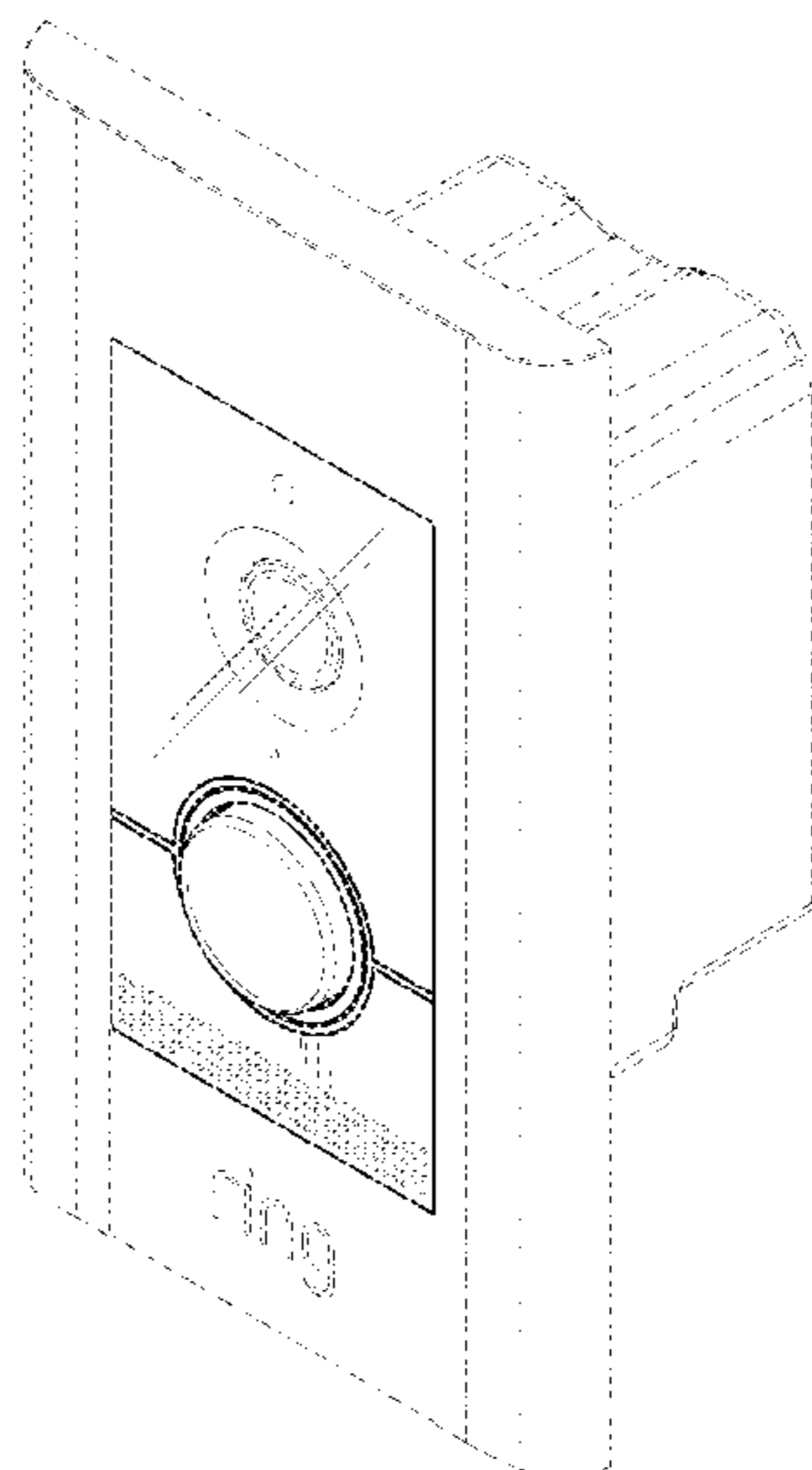
- (63) Continuation of application No. 29/621,250, filed on Oct. 5, 2017, now Pat. No. Des. 840,858, which is a continuation of application No. 29/587,654, filed on Dec. 14, 2016, now Pat. No. Des. 802,463.
- (51) **LOC (12) Cl.** **10-05**
- (52) **U.S. Cl.**
USPC **D10/118.2**
- (58) **Field of Classification Search**
USPC D10/104.1, 108, 116.1, 118, 118.2, D10/121–126; D16/202, 203, 208, 209, D16/215; D8/350, 353
CPC ... G08B 3/00; G08B 3/10; G08B 7/00; G08B 7/06; G08B 13/1436; G08B 13/1463; G08B 13/1481
See application file for complete search history.

(56) **References Cited**

U.S. PATENT DOCUMENTS

- D197,278 S * 1/1964 Stevenson D13/171
- D557,240 S * 12/2007 Lee D14/138 AB

1 Claim, 7 Drawing Sheets



(56)

References Cited

U.S. PATENT DOCUMENTS

D854,958 S	*	7/2019	Siminoff	D10/118.2
D858,338 S	*	9/2019	Yu	D10/118.2
D860,029 S	*	9/2019	Yang	D10/118.2

* cited by examiner

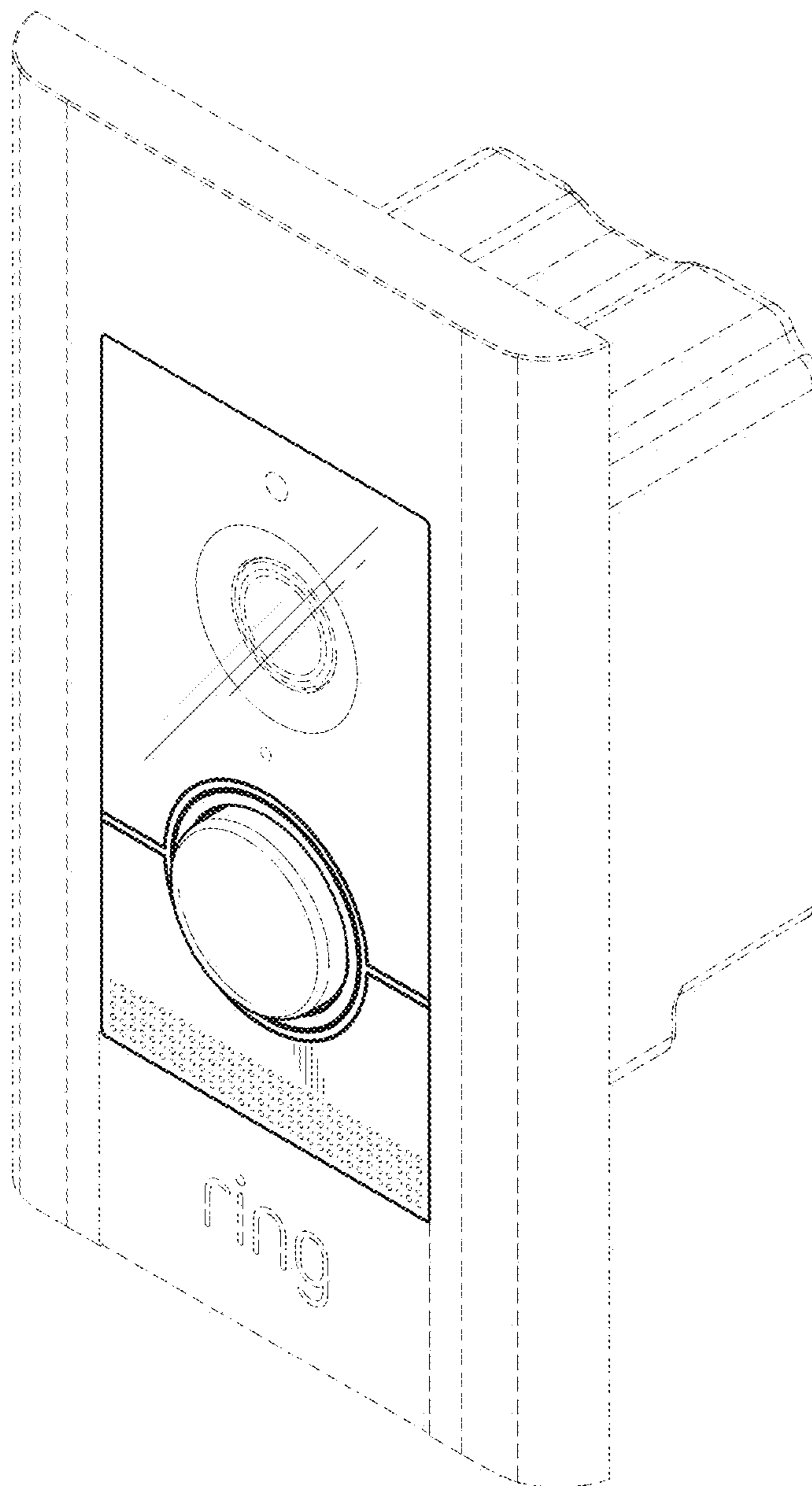


FIG. 1

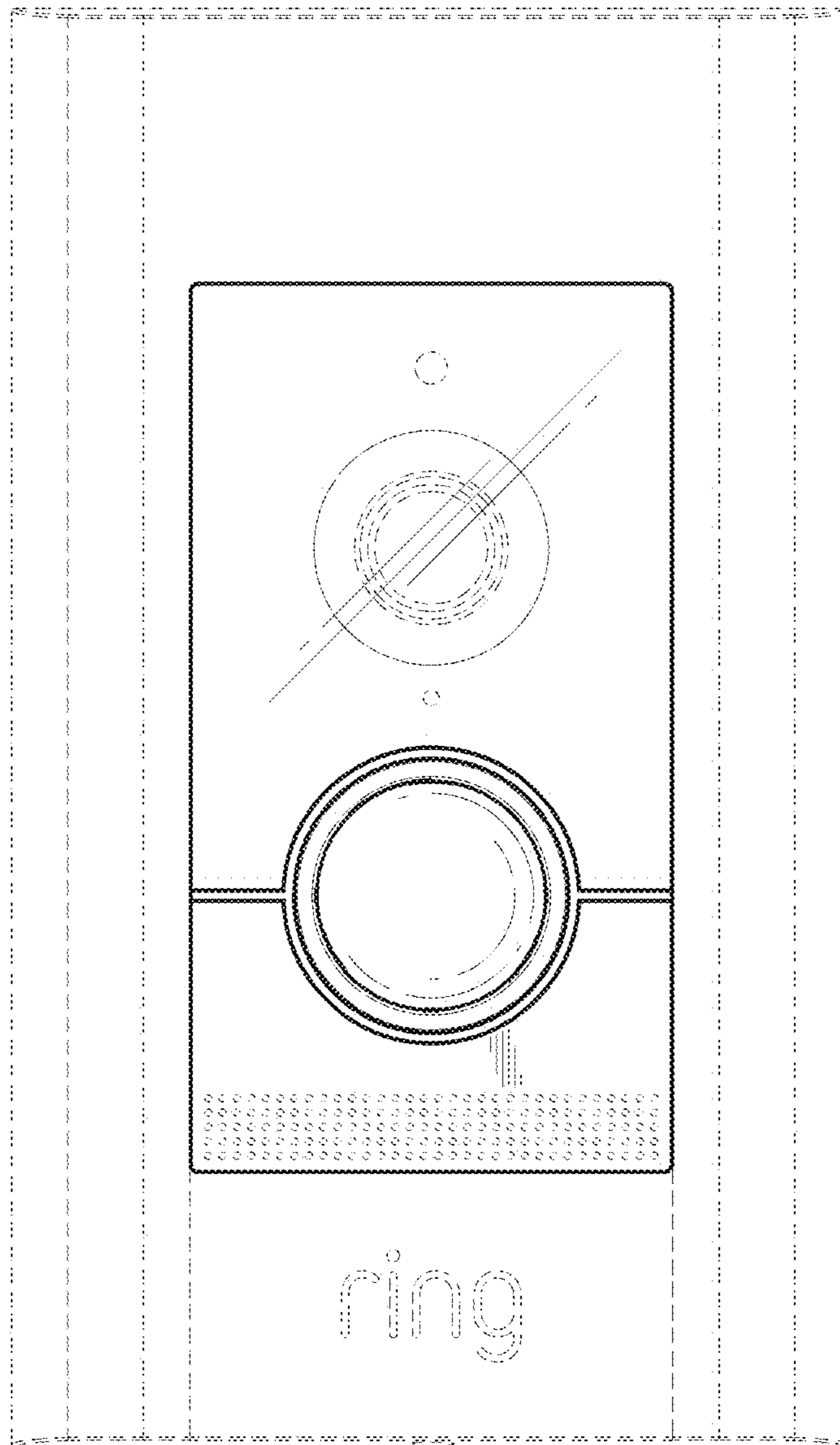


FIG. 2

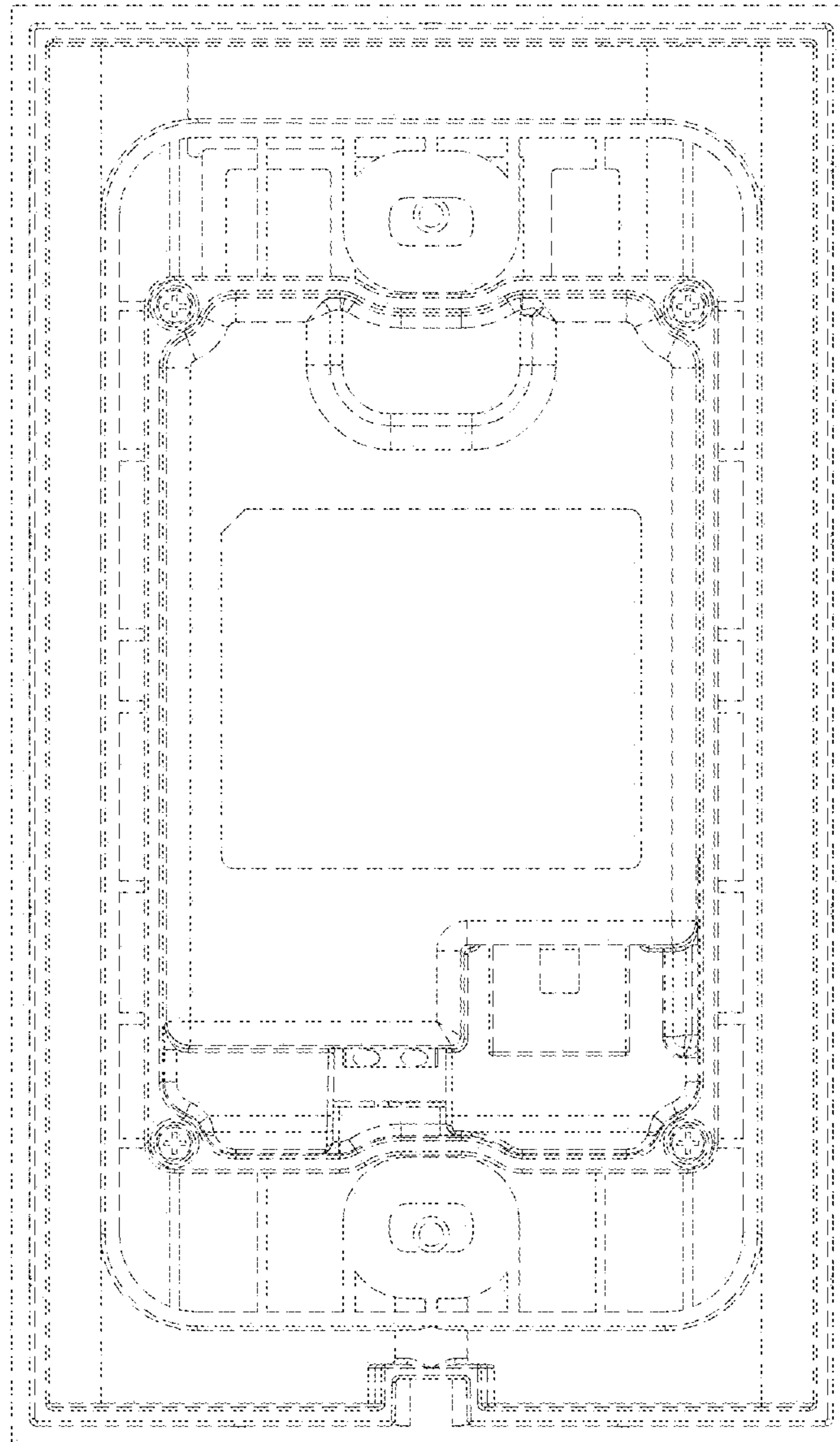


FIG. 3

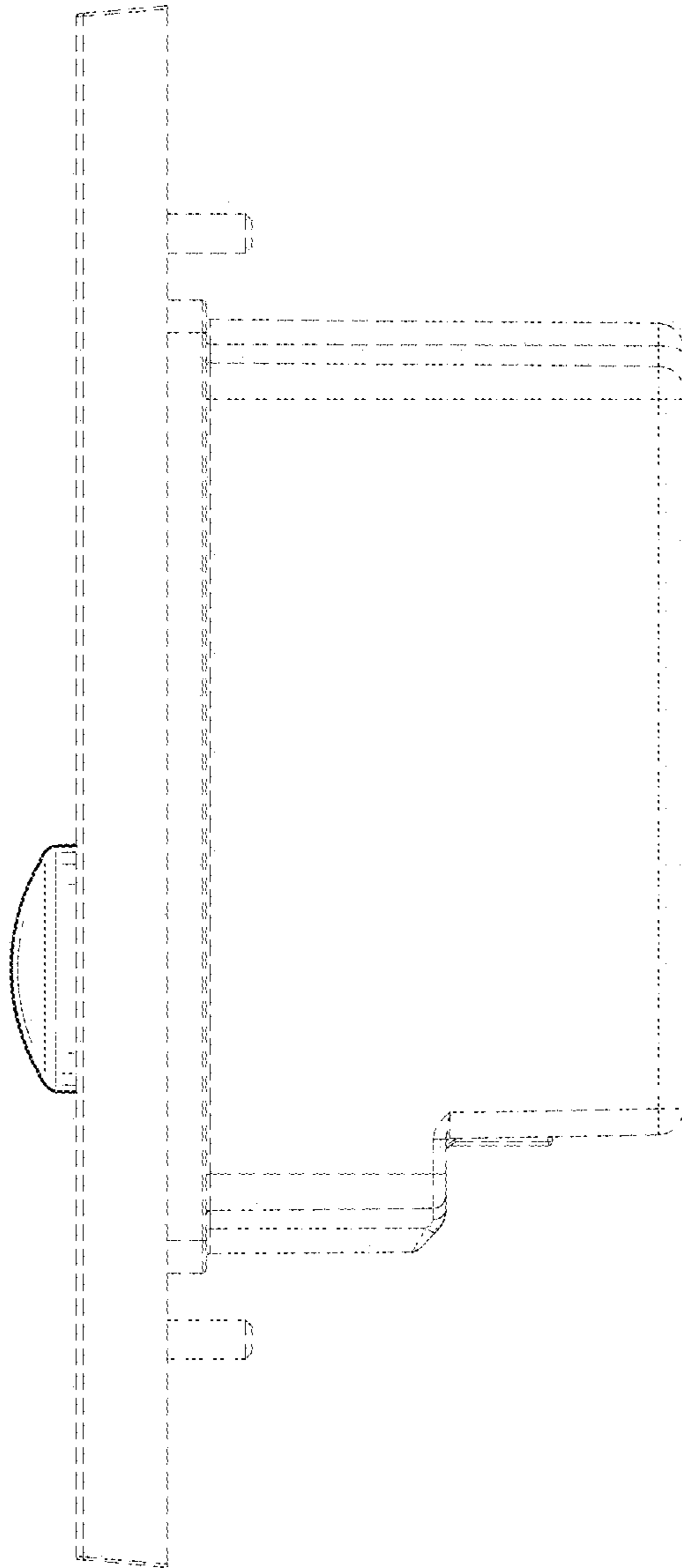


FIG. 4

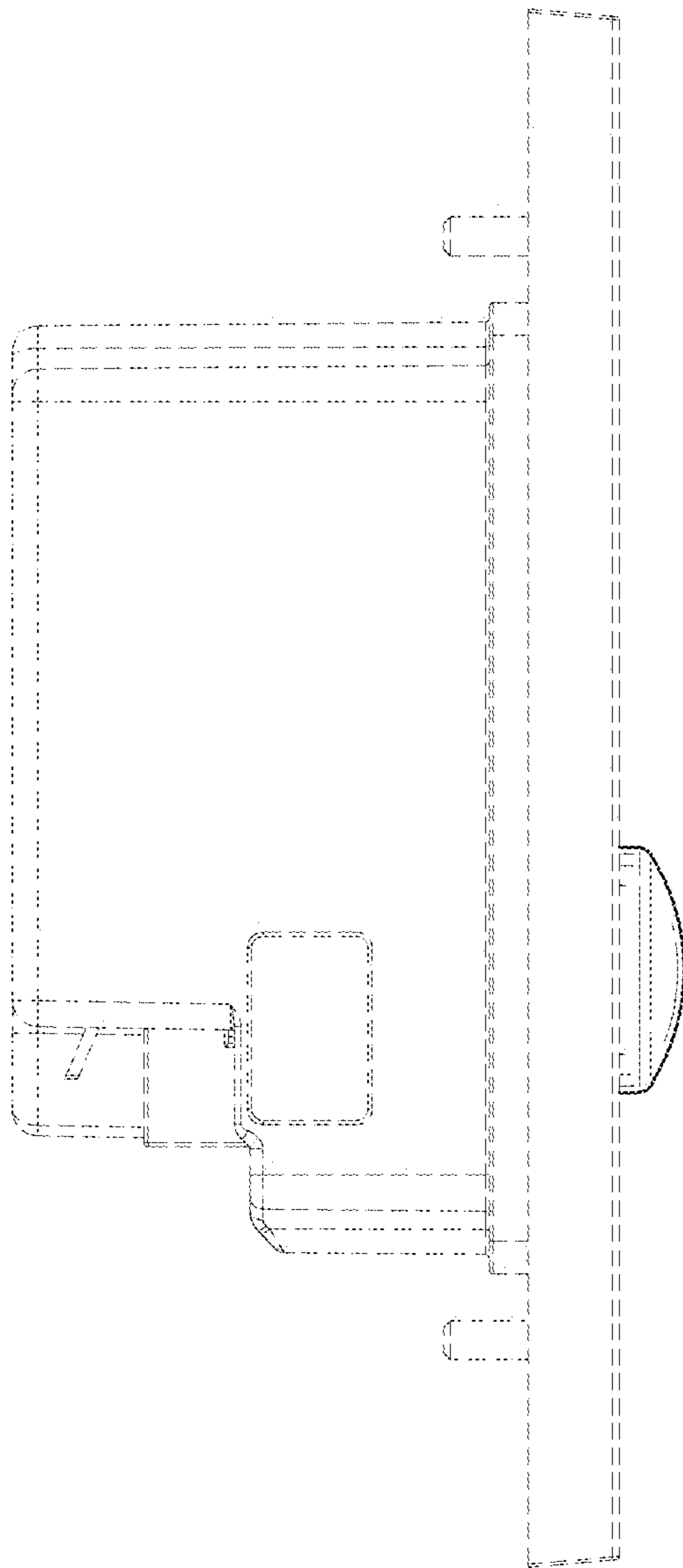


FIG. 5

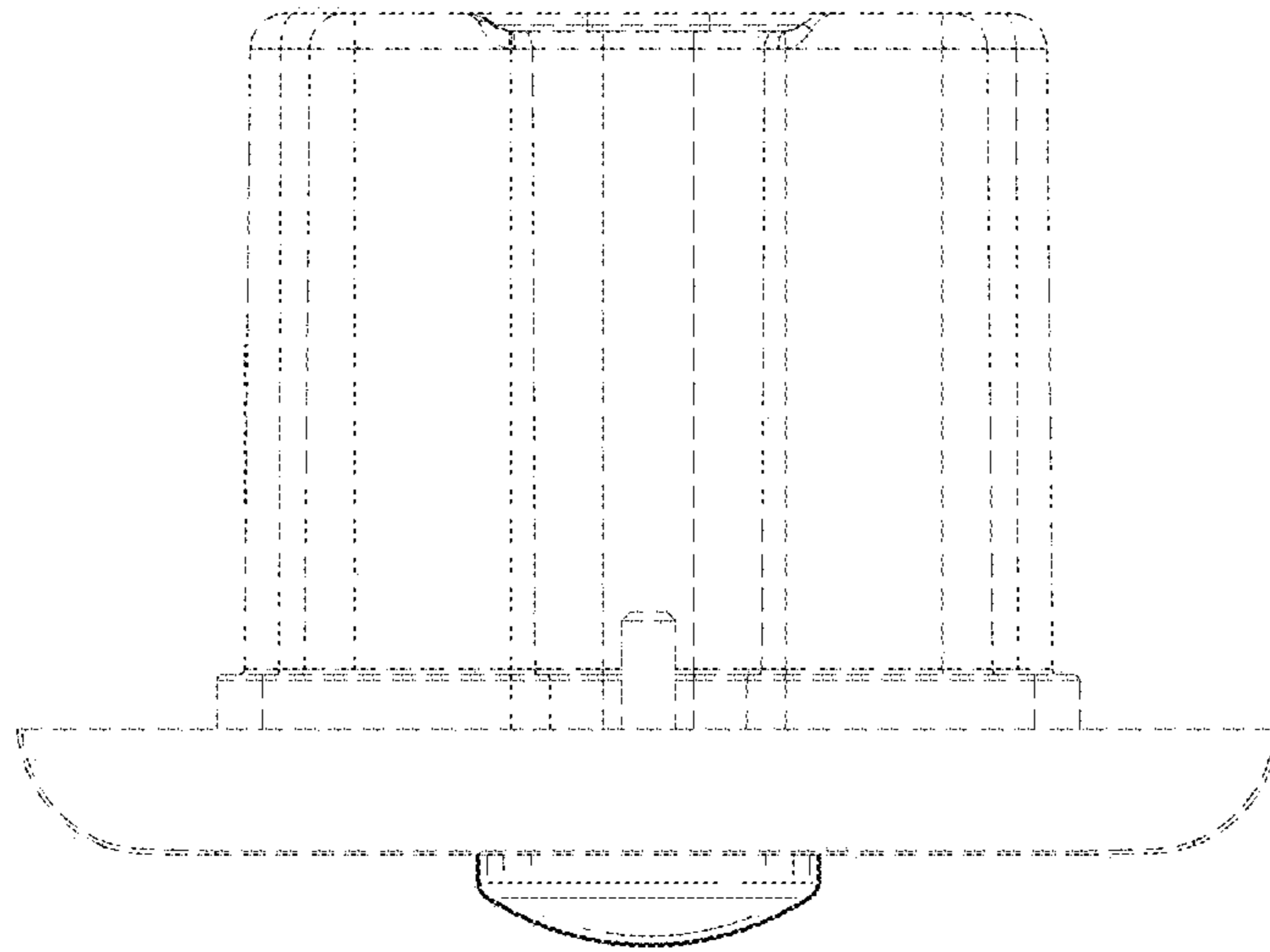


FIG. 6

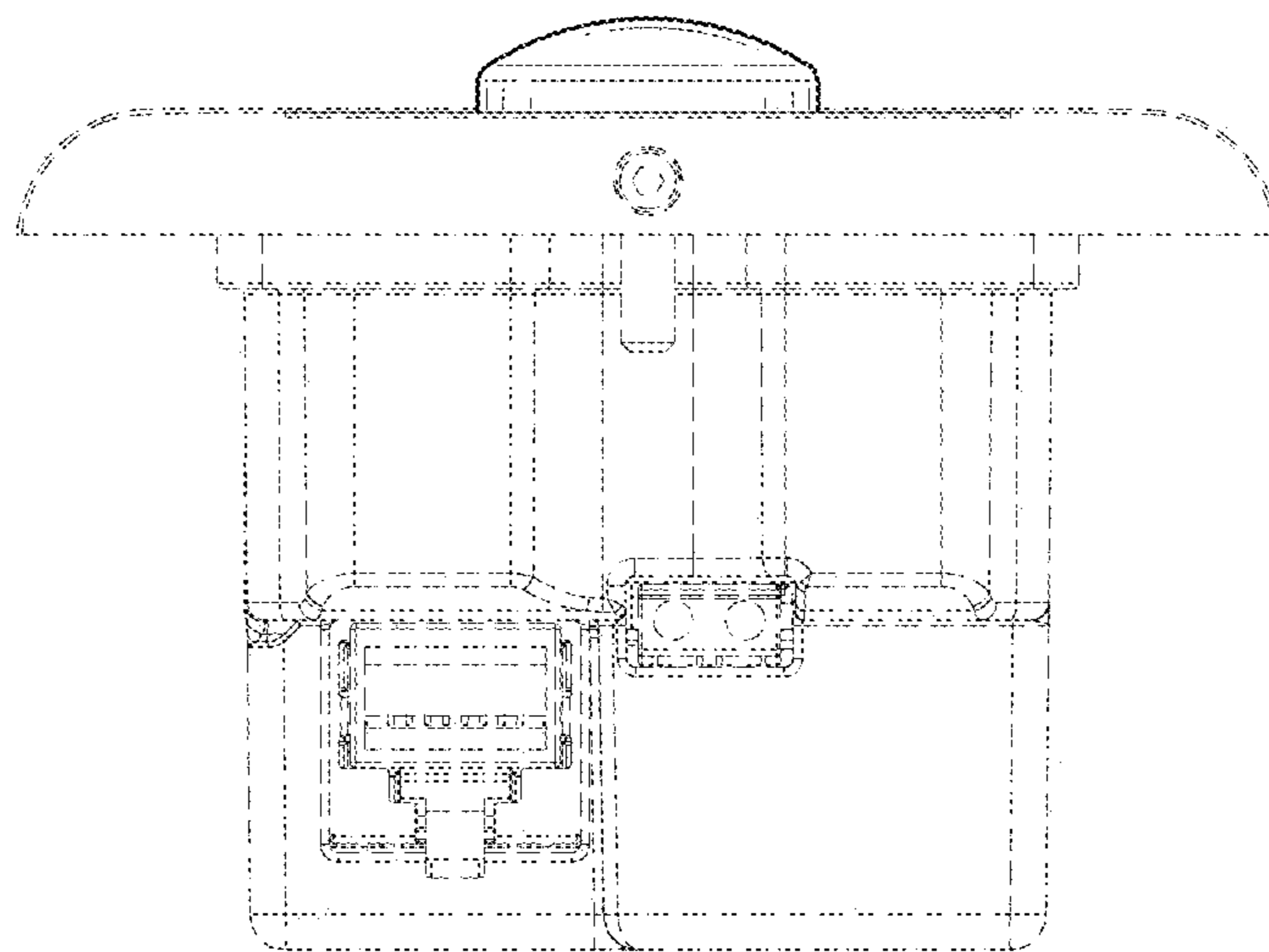


FIG. 7

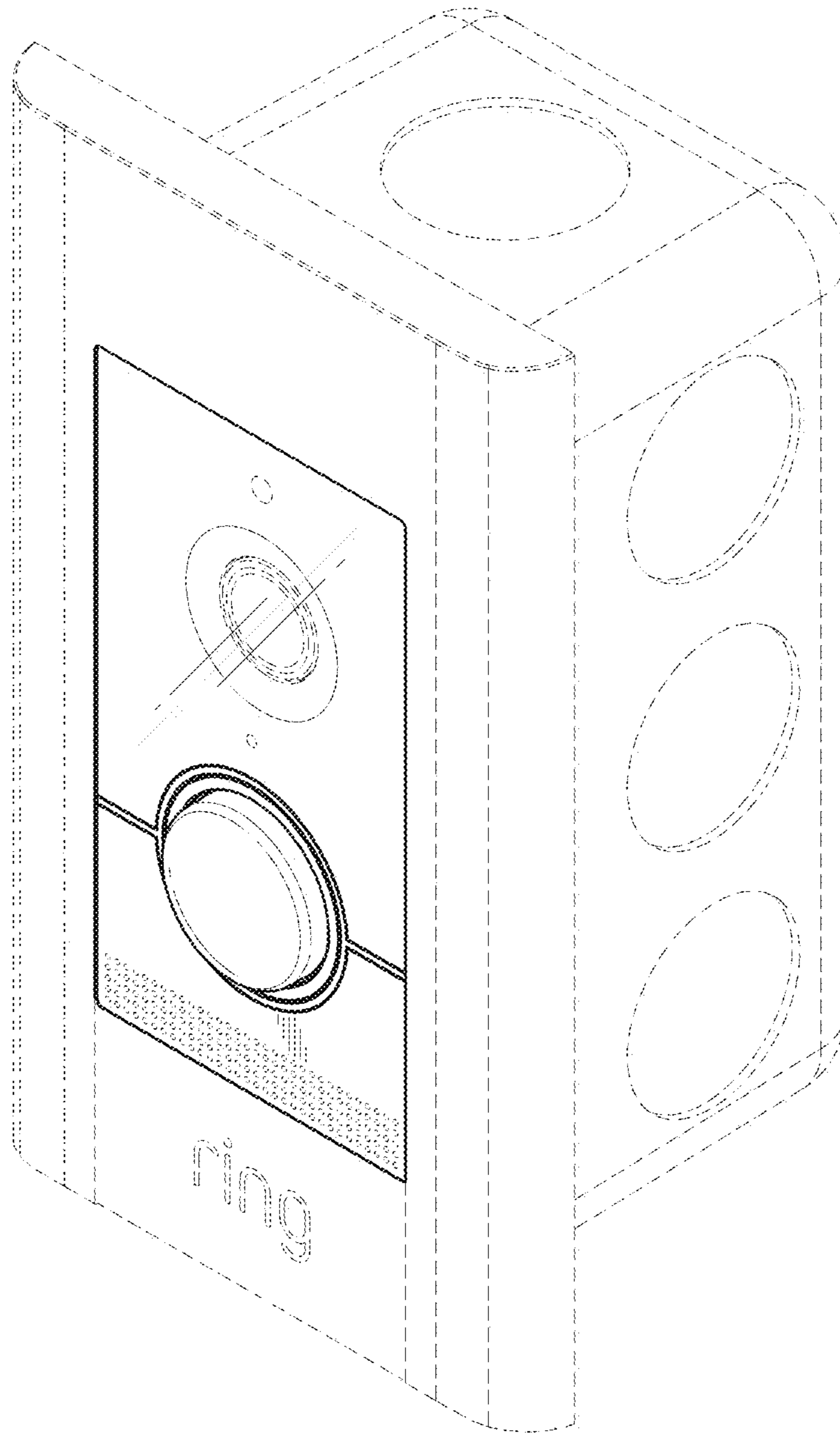


FIG. 8