



US00D874962S

(12) **United States Design Patent** (10) **Patent No.:** **US D874,962 S**
Friedli (45) **Date of Patent:** **** Feb. 11, 2020**

(54) **DISPLAY AND OPERATING PANEL**

(71) Applicant: **Inventio AG**, Hergiswil (CH)

(72) Inventor: **Tobias Friedli**, Baden (CH)

(73) Assignee: **INVENTIO AG**, Hergiswil NW (CH)

(**) Term: **15 Years**

(21) Appl. No.: **29/655,845**

(22) Filed: **Jul. 9, 2018**

(30) **Foreign Application Priority Data**

Mar. 12, 2018 (CH) 143892

(51) **LOC (12) Cl.** **10-05**

(52) **U.S. Cl.**
USPC **D10/108**

(58) **Field of Classification Search**

USPC D10/20, 21, 24, 25, 27, 28, 40, 41, 46,
D10/49, 50, 51, 52, 53, 60, 61, 104.1,
D10/104.2, 106.1, 106.2, 106.3, 106.4,
D10/106.6, 106.7, 106.95, 108, 109.1,
D10/109.2, 116.1, 118, 118.1, 118.2, 121,
D10/122, 123, 124, 125, 126; D16/202,
D16/203, 208, 209, 215; 340/392.1,
340/384.7, 326, 539.14, 540, 541, 542,
340/551, 593, 577, 590, 627, 555, 556,
340/584; D14/159, 358, 387, 371, 383,
D14/388-390, 496, 401, 435, 474, 483,
D14/240, 217, 137, 138, 160, 168;
187/389-391, 397, 396, 380, 395;
D13/158, 169, 171, 174, 184, 162;
D18/24-32; D8/350, 343, 305, 353;
D26/72, 85, 88; 200/310; 455/41.2
CPC H04M 11/02; H04M 11/025; G08B 3/00;
G08B 3/10; G08B 7/00; G08B 7/06

See application file for complete search history.

(56) **References Cited**

U.S. PATENT DOCUMENTS

D253,940 S * 1/1980 Bedel D10/108
D264,194 S * 5/1982 Jaretsky D10/106.1

D303,638 S * 9/1989 Andrews, Sr. D10/106.1
D305,019 S * 12/1989 Pena D13/171
D315,527 S * 3/1991 Kulikowski D10/108
D343,367 S * 1/1994 Yuen D10/104.2
D392,576 S * 3/1998 Pun D10/118
D622,673 S * 8/2010 Maurer D13/162
D693,710 S * 11/2013 Bachel D10/106.6
D764,957 S * 8/2016 Bhattacharya D10/104.1

(Continued)

OTHER PUBLICATIONS

“Elevator Push Button” available May 27, 2019, [online], [site visited May 27, 2019]. Retrieved from Internet, <URL:https://www.alibaba.com/product-detail/Best-price-kone-Protruded-Marking-elevator_60723040425.html> (Year: 2019).*

Primary Examiner — Michael C Stout

Assistant Examiner — Katrina N Gonzalez

(74) *Attorney, Agent, or Firm* — William J. Clemens;
Shumaker, Loop & Kendrick, LLP

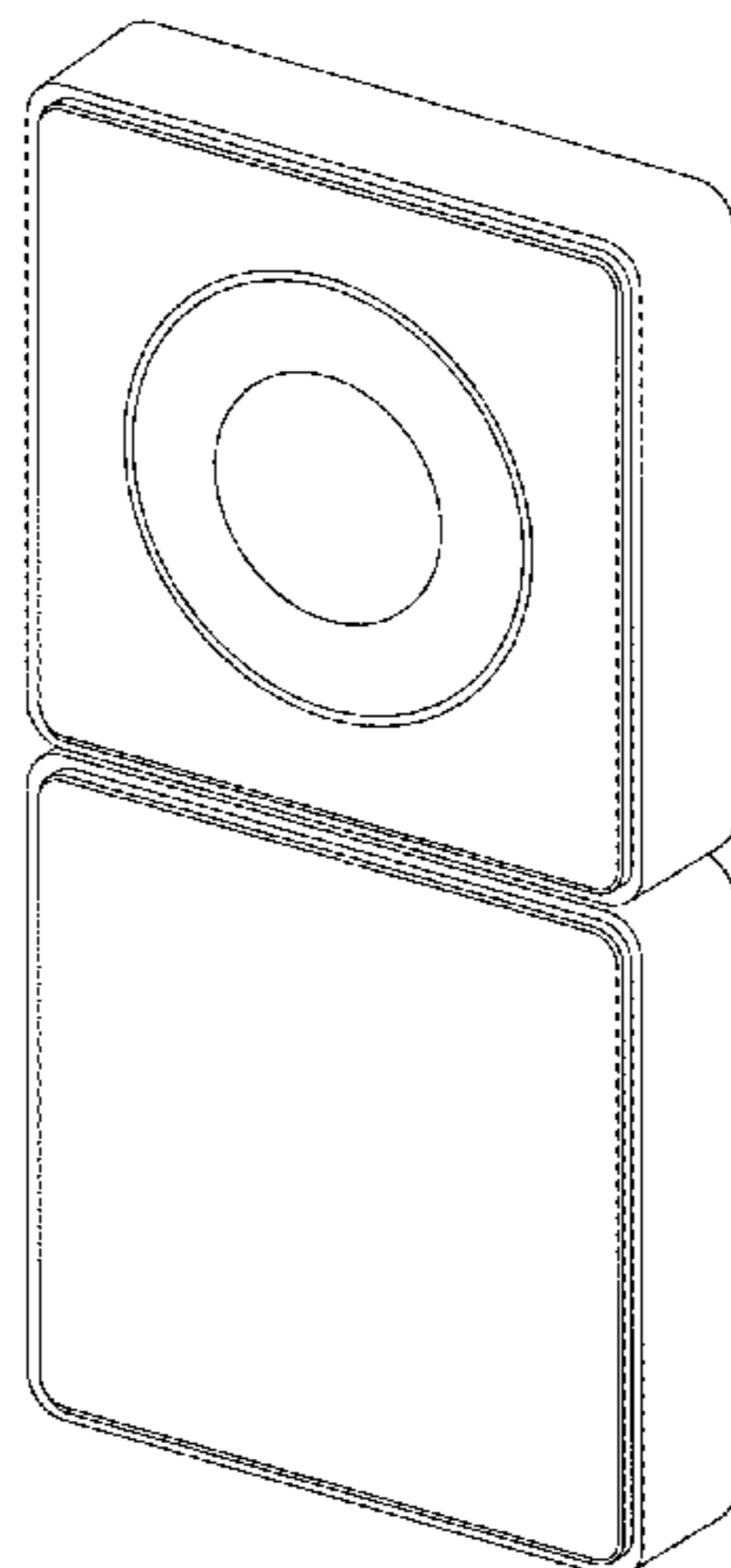
(57) **CLAIM**

The ornamental design for a display and operating panel, as shown and described.

DESCRIPTION

FIG. 1 is a front perspective view of a display and operating panel, showing my new design;
FIG. 2 is a side perspective view thereof;
FIG. 3 is a rear elevation view thereof;
FIG. 4 is a front elevation view thereof;
FIG. 5 is a bottom plan view thereof;
FIG. 6 is a top plan view thereof;
FIG. 7 is a right side elevation view thereof; and,
FIG. 8 is a left side elevation view thereof.
The broken lines illustrate portions of the display and operating panel that form no part of the claimed design.

1 Claim, 5 Drawing Sheets



(56)

References Cited

U.S. PATENT DOCUMENTS

| | | | | | | |
|----------|---|---|---------|----------|-------|------------|
| D788,061 | S | * | 5/2017 | Siminoff | | D10/118.2 |
| D793,268 | S | * | 8/2017 | Ye | | D10/118.2 |
| D817,206 | S | * | 5/2018 | Lee | | D10/106.7 |
| D819,476 | S | * | 6/2018 | Siminoff | | D10/118.2 |
| D820,707 | S | * | 6/2018 | Siminoff | | D10/118.2 |
| D820,708 | S | * | 6/2018 | Siminoff | | D10/118.2 |
| D826,935 | S | * | 8/2018 | Son | | D14/358 |
| D834,979 | S | * | 12/2018 | Zhang | | D10/106.95 |
| D837,080 | S | * | 1/2019 | Siminoff | | D10/118.2 |
| D844,614 | S | * | 4/2019 | Laurans | | D14/399 |
| D844,615 | S | * | 4/2019 | Laurans | | D14/399 |

* cited by examiner

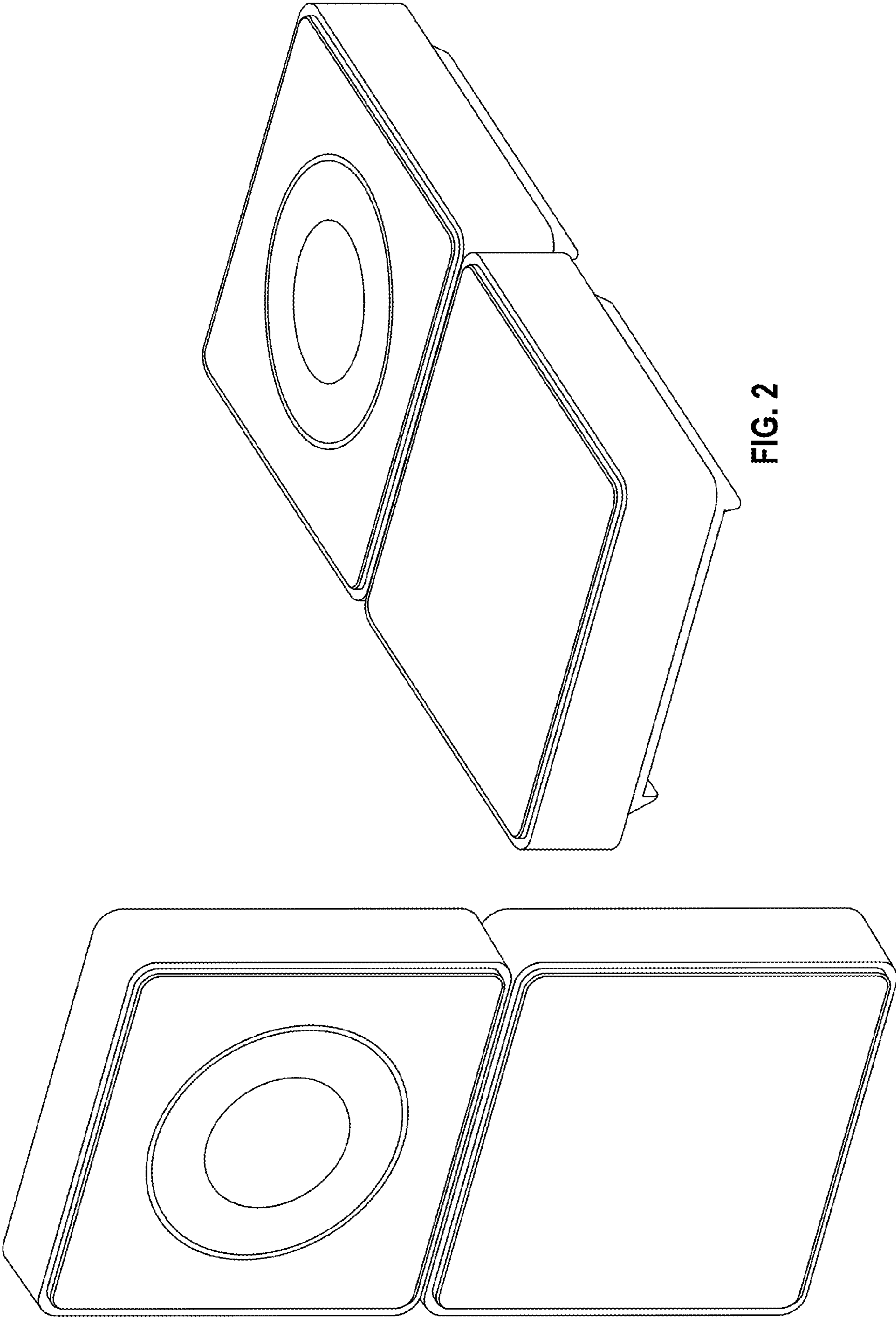


FIG. 2

FIG. 1

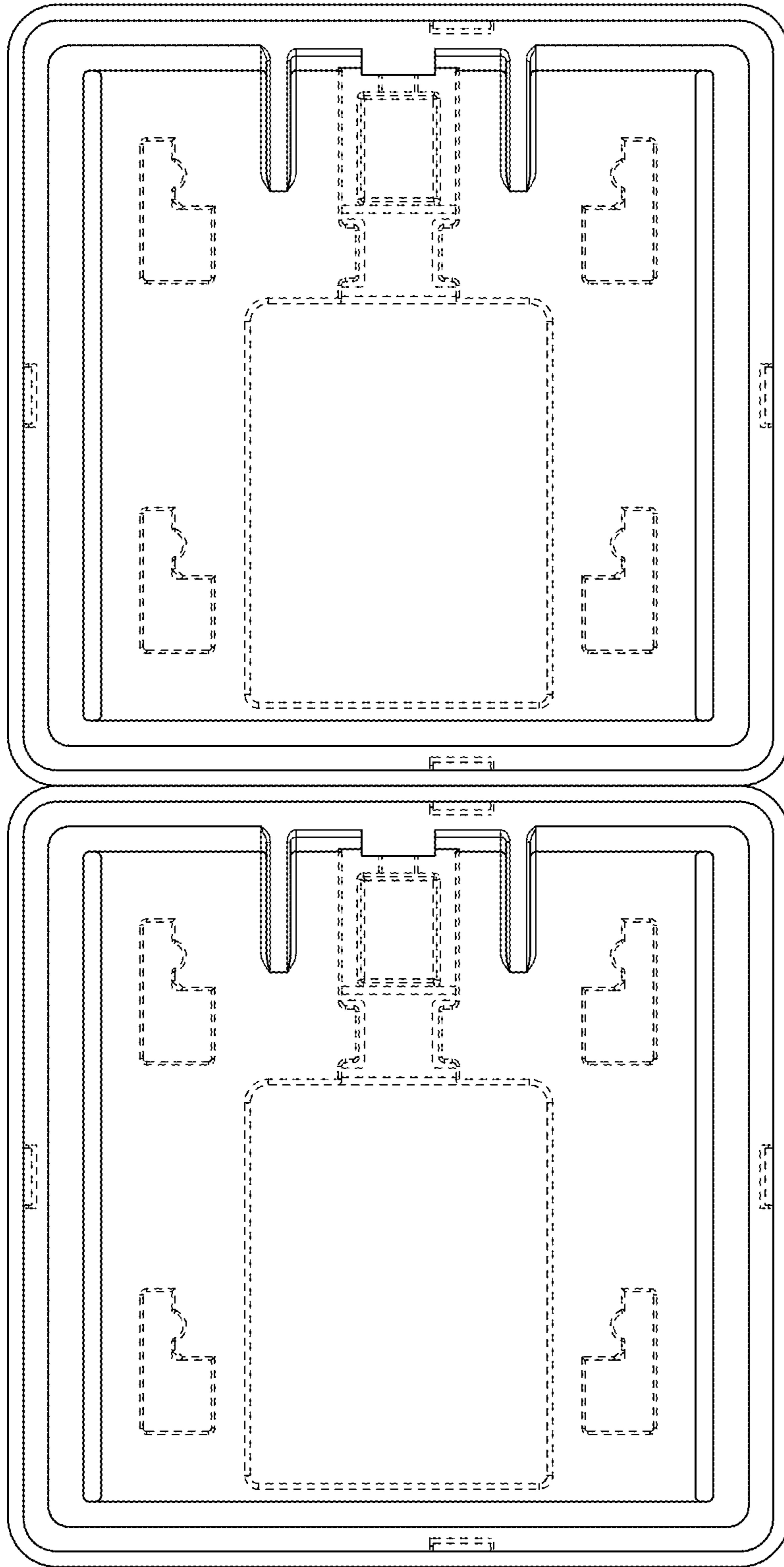


FIG. 3

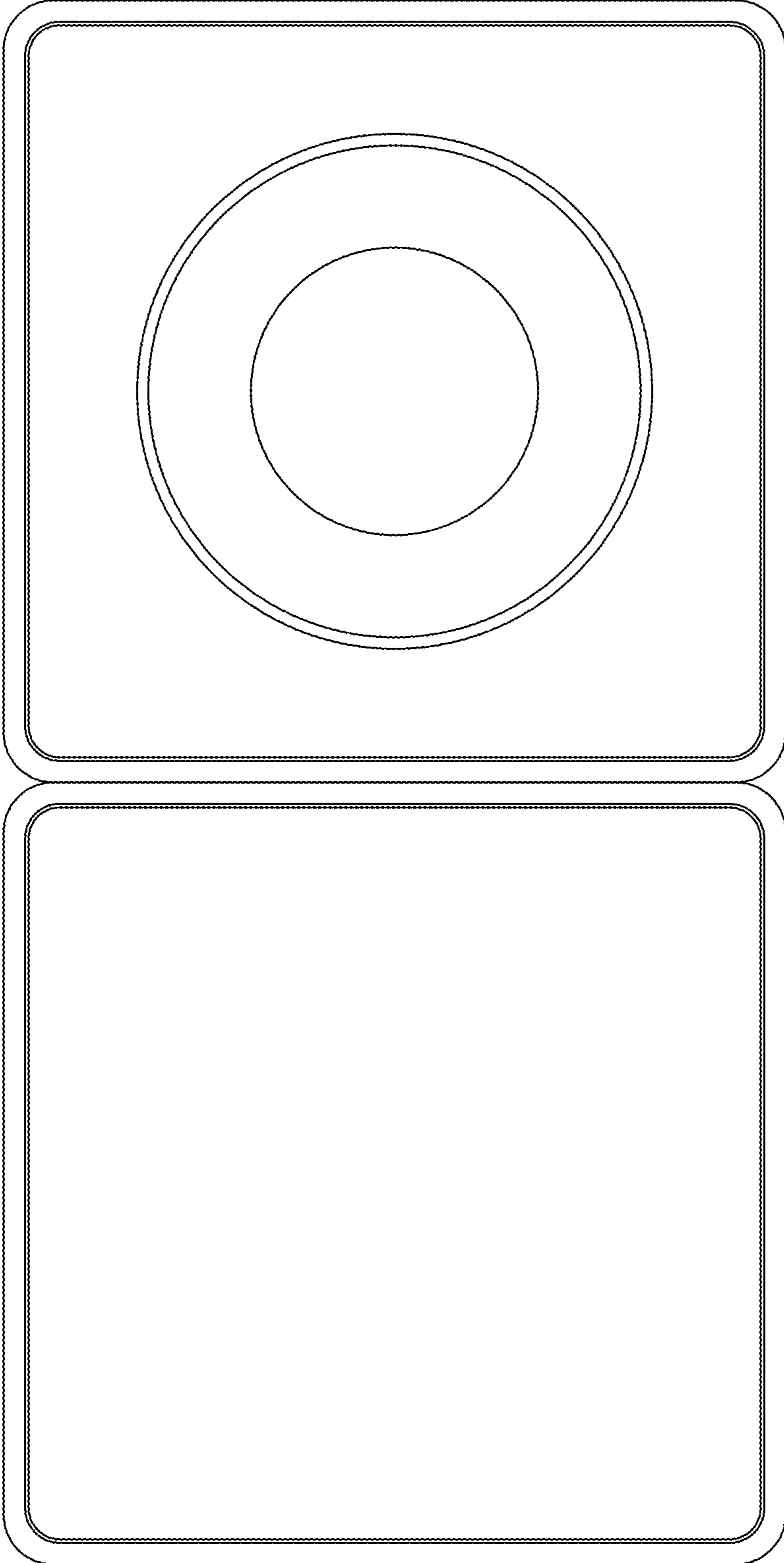


FIG. 4

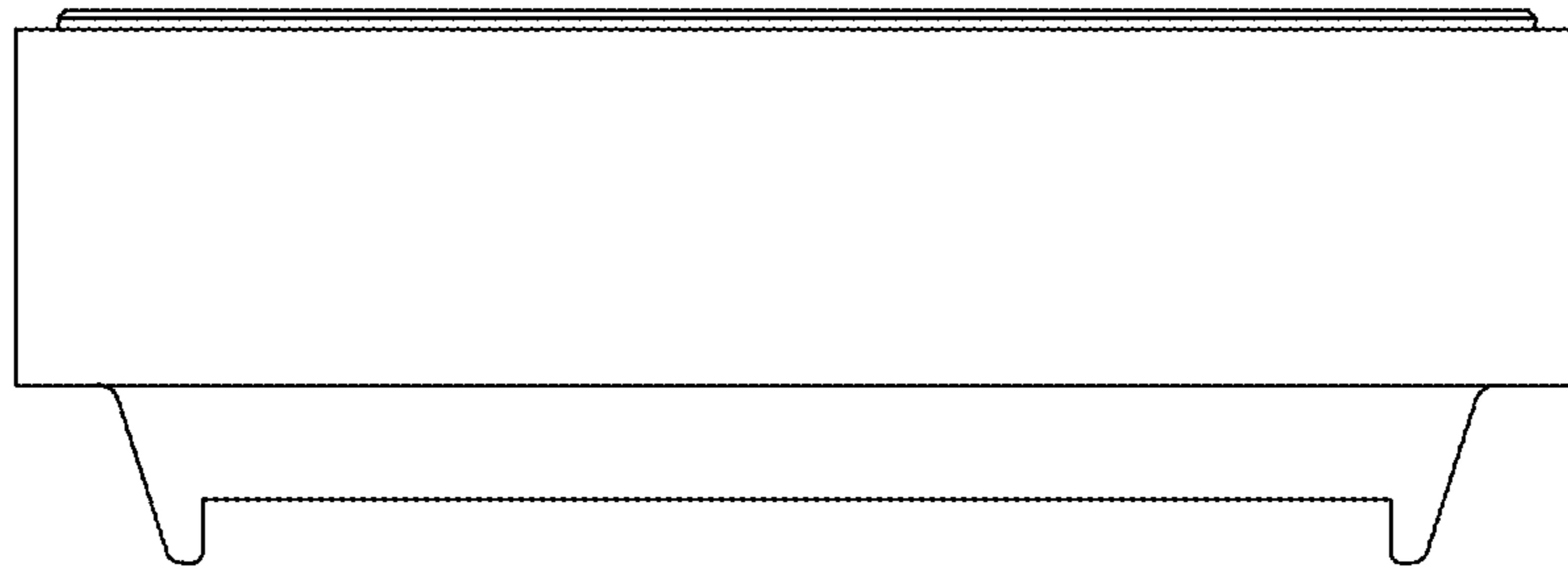


FIG. 5

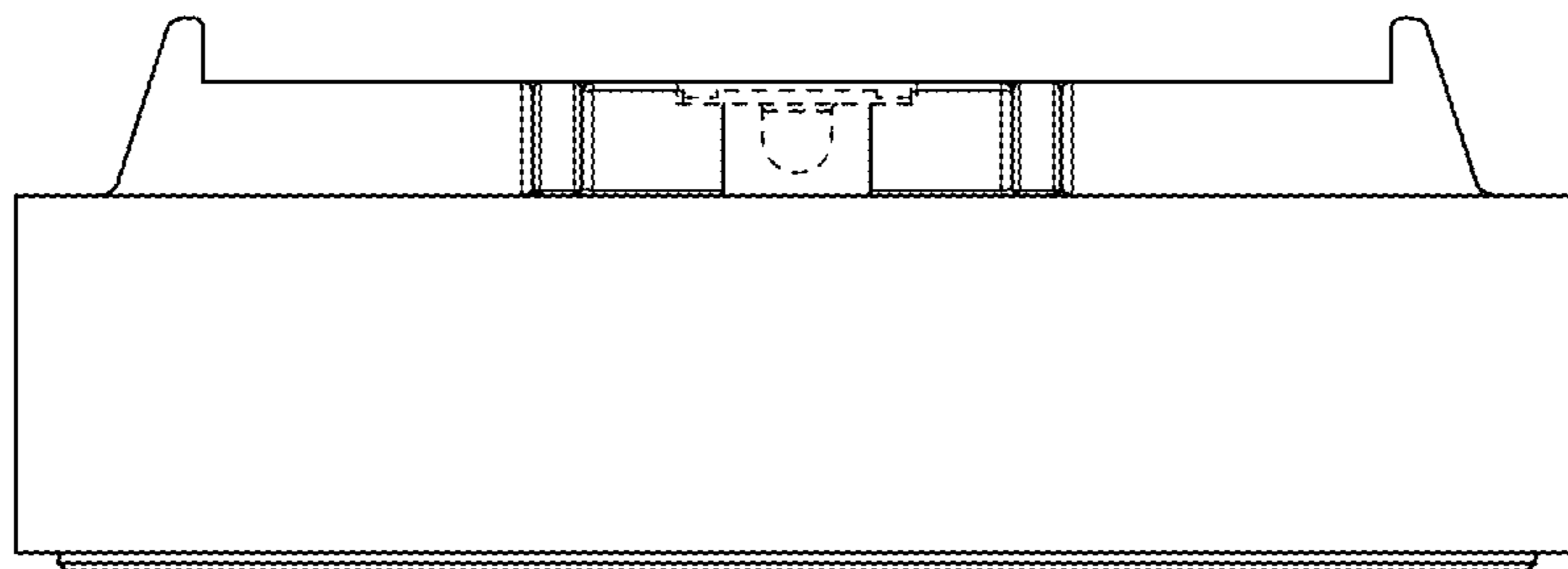


FIG. 6

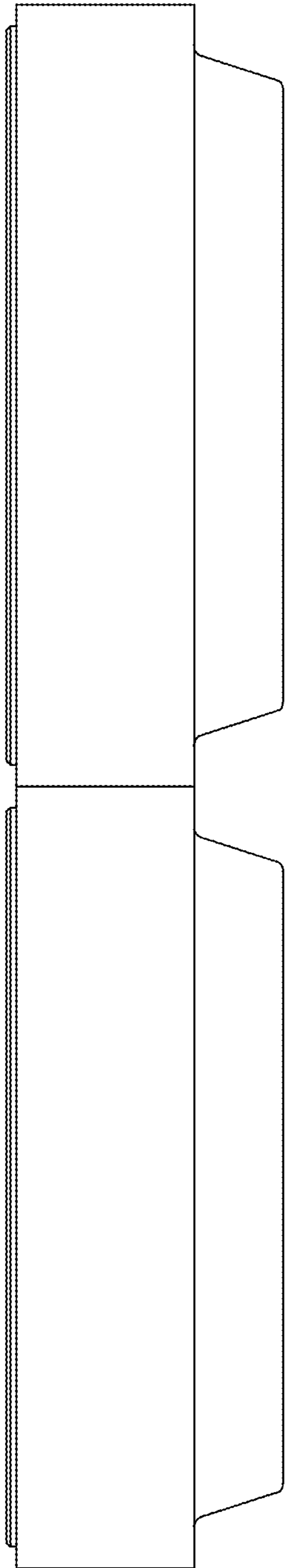


FIG. 7

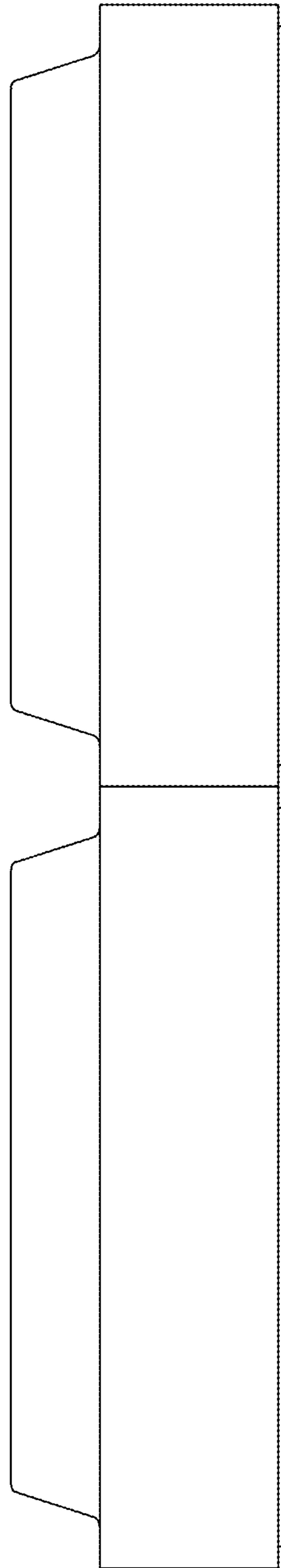


FIG. 8