



US00D874960S

(12) **United States Design Patent** (10) **Patent No.:** **US D874,960 S**
Miller (45) **Date of Patent:** **** Feb. 11, 2020**

(54) **ALARM HOUSING**
(71) Applicant: **S.J. Electro Systems, Inc.**, Detroit
Lakes, MN (US)
(72) Inventor: **Christina M. Miller**, Sun Prairie, WI
(US)
(73) Assignee: **S.J. Electro Systems, Inc.**, Detroit
Lakes, MN (US)
(**) Term: **15 Years**
(21) Appl. No.: **29/625,229**
(22) Filed: **Nov. 8, 2017**
(51) **LOC (12) Cl.** **10-05**
(52) **U.S. Cl.**
USPC **D10/106.1**
(58) **Field of Classification Search**
USPC D10/104.1, 104.2, 106.1, 106.2, 106.3,
D10/106.4, 106.6, 106.7, 106.95, 108,
D10/109.1, 109.2, 116.1, 118, 118.1,
D10/118.2, 121, 122, 123, 124, 125, 126;
D8/350, 343, 305, 353; D13/158, 169,
D13/171, 174; D14/159, 358; D16/202,
D16/203, 208, 209, 215; D26/72, 85, 88;
200/310; 340/392.1, 384.7, 326, 539.14,
340/618, 623, 624; 455/41.2; 174/50,
174/51, 52.1
CPC . H04M 11/02; G08B 3/00; G08B 3/10; G08B
7/00; G08B 7/06
See application file for complete search history.

(56) **References Cited**
U.S. PATENT DOCUMENTS
D695,640 S * 12/2013 George H04R 1/44
D10/106.1
D749,445 S * 2/2016 Yang D10/118.2
D820,707 S * 6/2018 Siminoff D10/118.2
D822,518 S * 7/2018 Siminoff D10/118.2
D830,871 S * 10/2018 Siminoff D10/118.2
D834,437 S * 11/2018 Zhang D10/106.95

D834,979 S * 12/2018 Zhang D10/106.95
D837,080 S * 1/2019 Siminoff D10/118.2
2016/0135315 A1* 5/2016 Weber H05K 5/0221
174/50

(Continued)

FOREIGN PATENT DOCUMENTS

CA 180649 * 3/2019

OTHER PUBLICATIONS

“China Tank Level Alarm” available May 7, 2019, [online], [site visited May 7, 2019]. Retrieved from Internet, <URL:https://sjerhombus.en.made-in-china.com/productimage/MCPJpcZuXVhf-2f1j00FYMGTKjqnZoR/China-Tank-Level-Alarm-Sewage-Application-Ce-Certification.html> (Year: 2019).*

(Continued)

Primary Examiner — Michael C Stout
Assistant Examiner — Katrina N Gonzalez
(74) *Attorney, Agent, or Firm* — Dicke, Billig & Czaja, PLLC

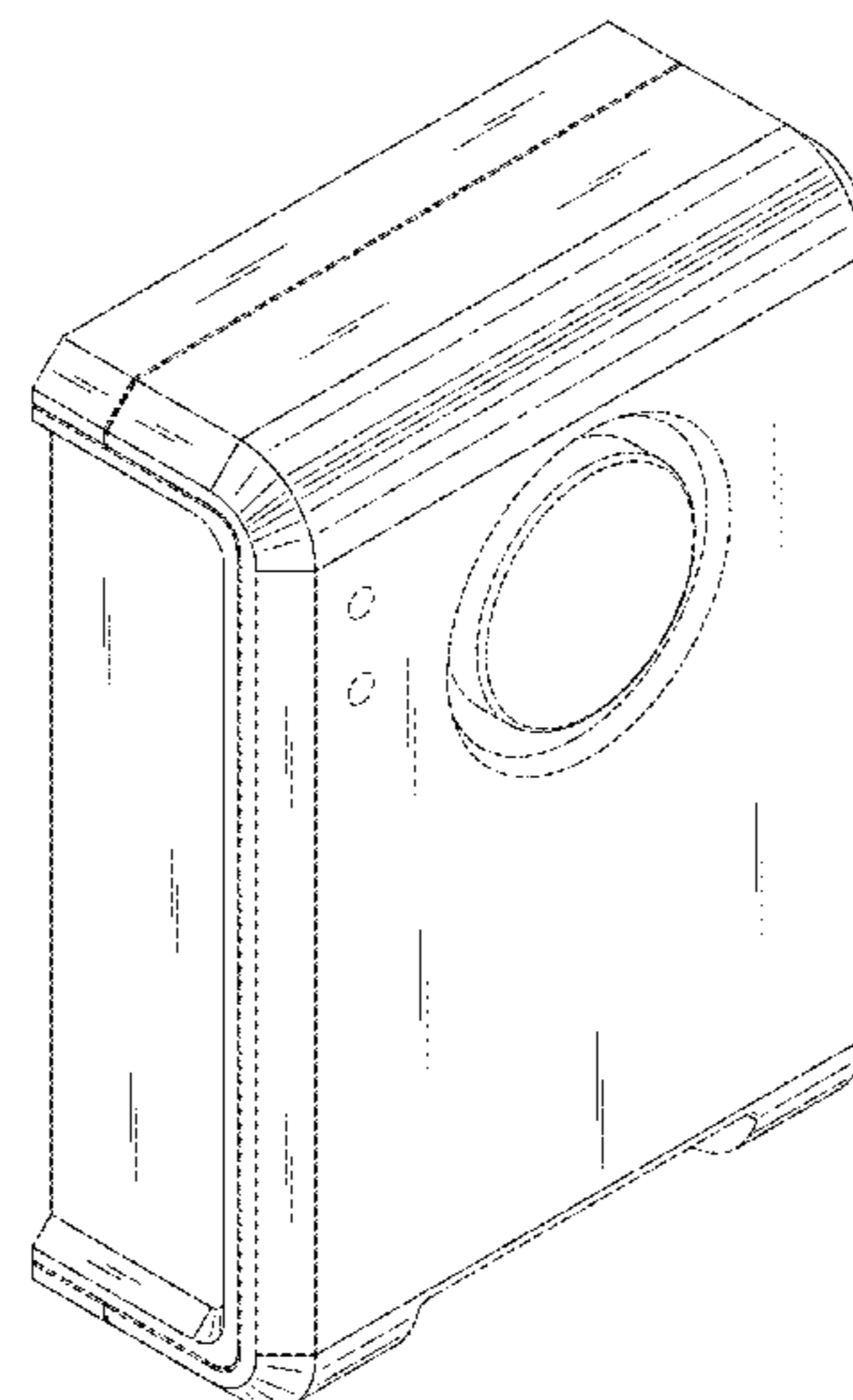
(57) **CLAIM**

The ornamental design for an alarm housing, as shown and described.

DESCRIPTION

FIG. 1 is a front view of an alarm housing showing my new design;
FIG. 2 is a rear view thereof;
FIG. 3 is a top view thereof;
FIG. 4 is a bottom view thereof;
FIG. 5 is a first side view thereof;
FIG. 6 is a second side view thereof;
FIG. 7 is a front perspective view thereof; and,
FIG. 8 is a cross-sectional bottom view taken along and in the direction of line 8-8 in FIG. 1.
The broken lines illustrate portions of the alarm housing that form no part of the claimed design.

1 Claim, 8 Drawing Sheets



(56)

References Cited

U.S. PATENT DOCUMENTS

2016/0143171 A1* 5/2016 Weber H05K 5/0221
174/50

OTHER PUBLICATIONS

“Xpert Alert Indoor Alarm System—SJE Rhombus” available May 7, 2019, [online], [site visited May 7, 2019]. Retrieved from Internet, <URL:<https://www.sjrhombus.com/products/xpert-alert-indoor-alarm-system/>> (Year: 2019).*

“Xpert Alert: The Newest Alarm from SJE Rhombus” (via vimeo), available May 15, 2018, [online], [site visited May 7, 2019]. Retrieved from Internet, <URL:<https://vimeo.com/269878747>> (Year: 2018).*

“Xpert Alert WiFi Indoor Alarm System—SJE Rhombus” available May 7, 2019, [online], [site visited May 7, 2019]. Retrieved from Internet, <URL:<https://www.sjrhombus.com/products/xpert-alert-wifi-indoor-alarm-system/>> (Year: 2019).*

* cited by examiner

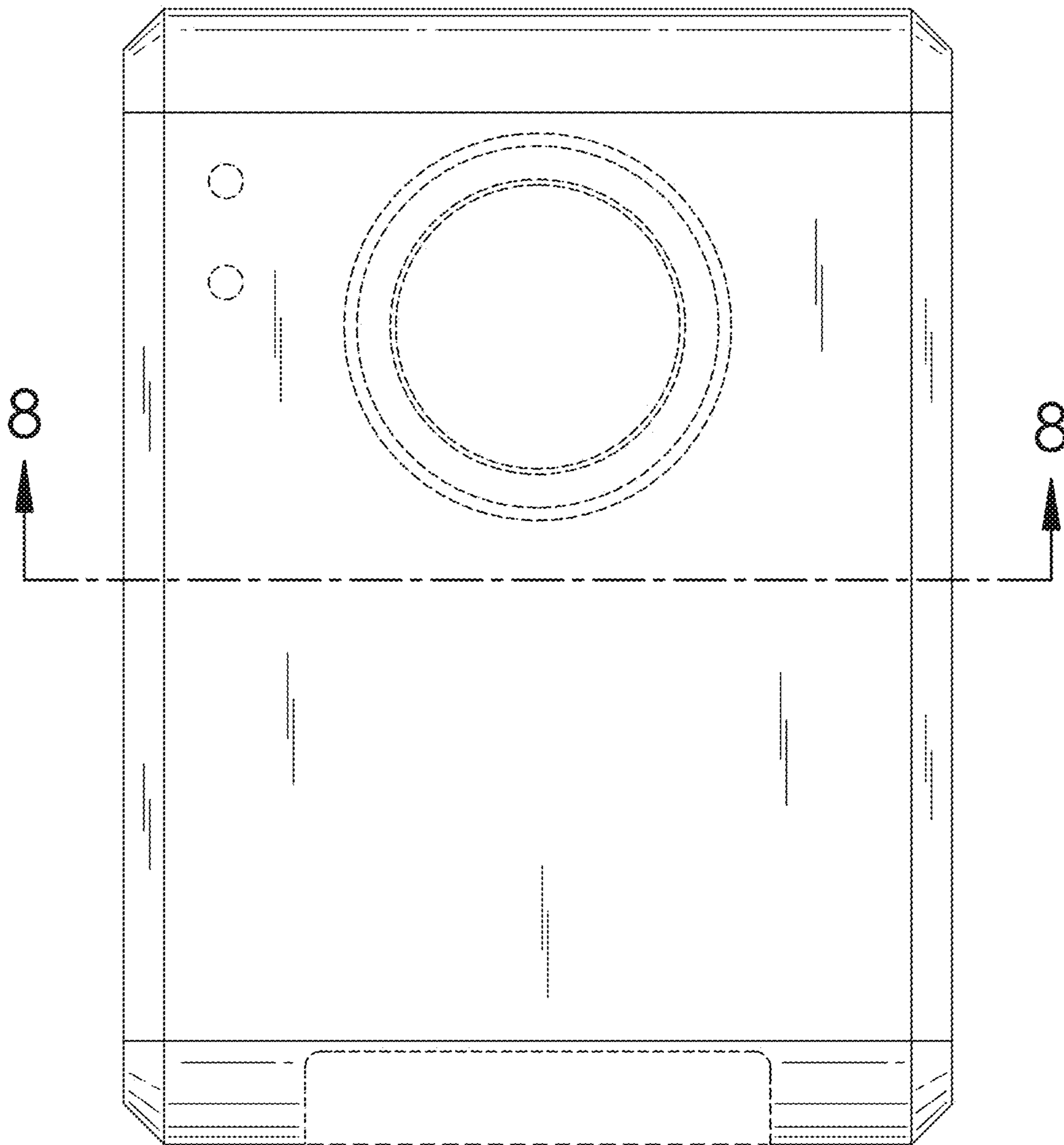


FIG. 1

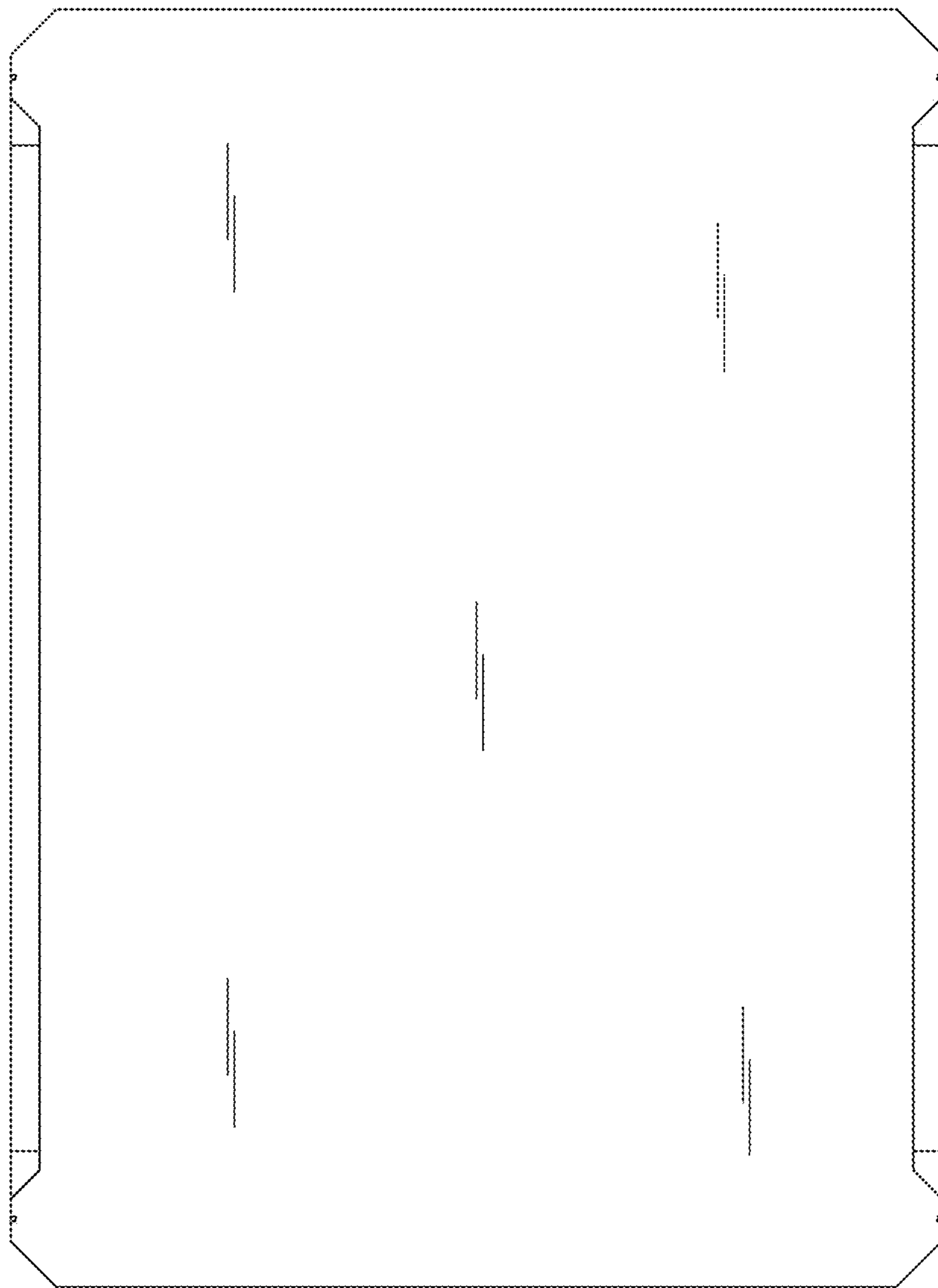


FIG. 2

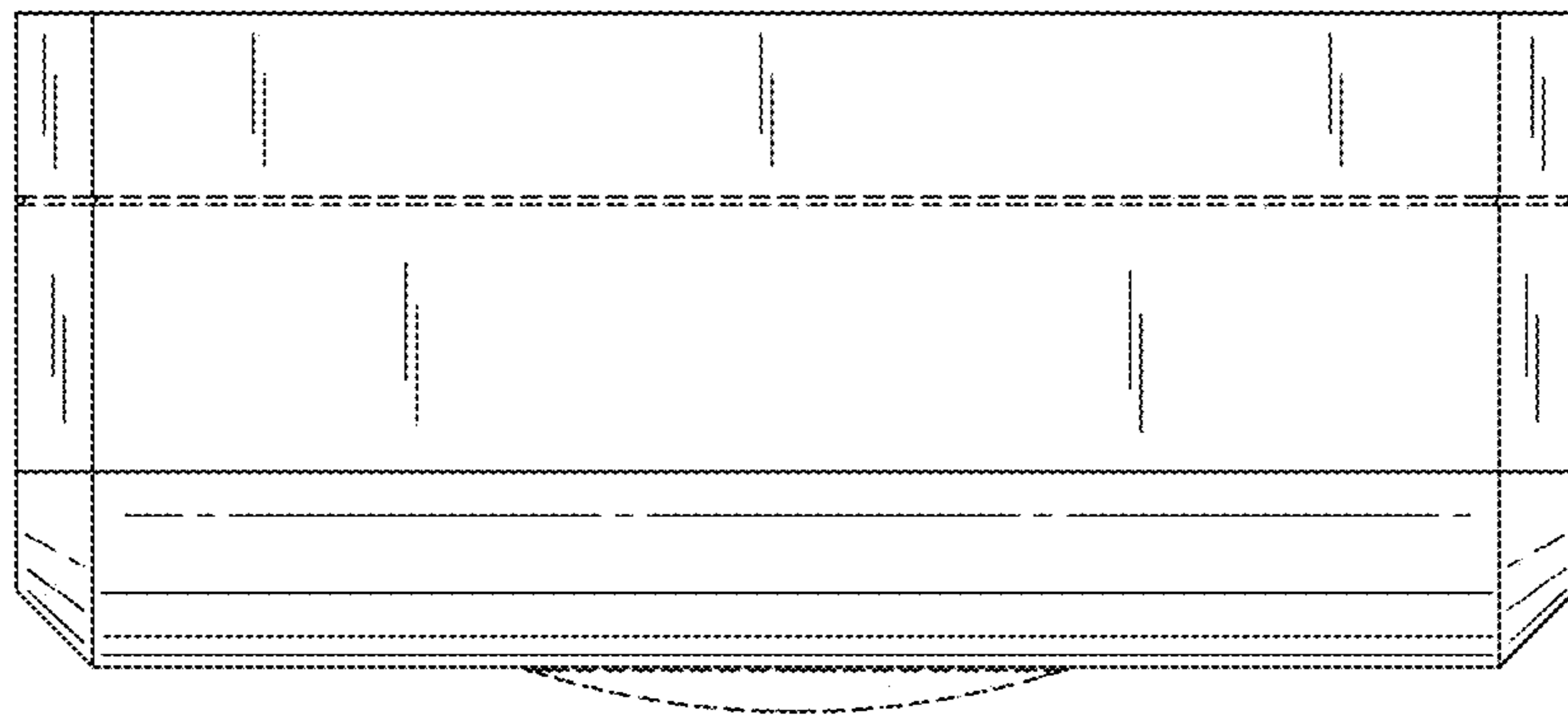


FIG. 3

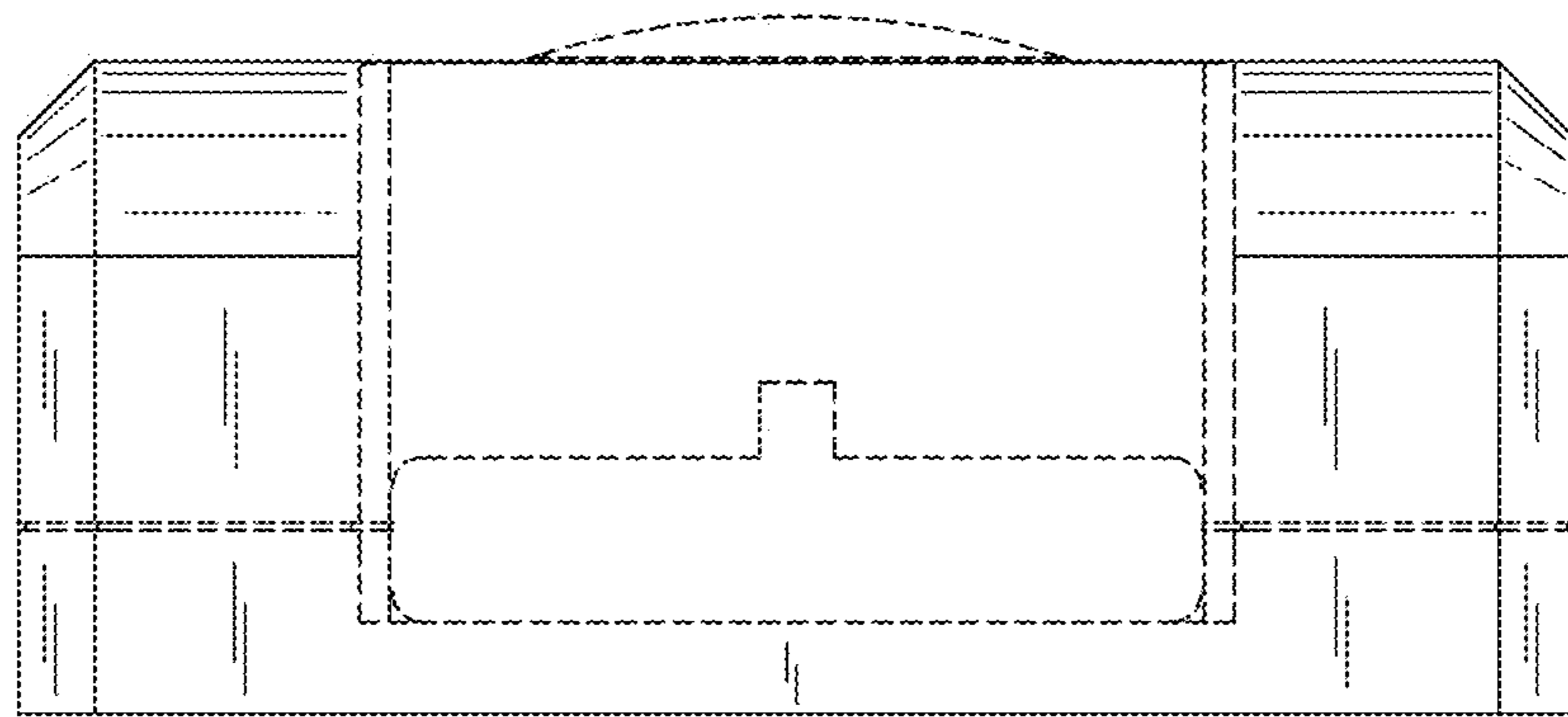


FIG. 4

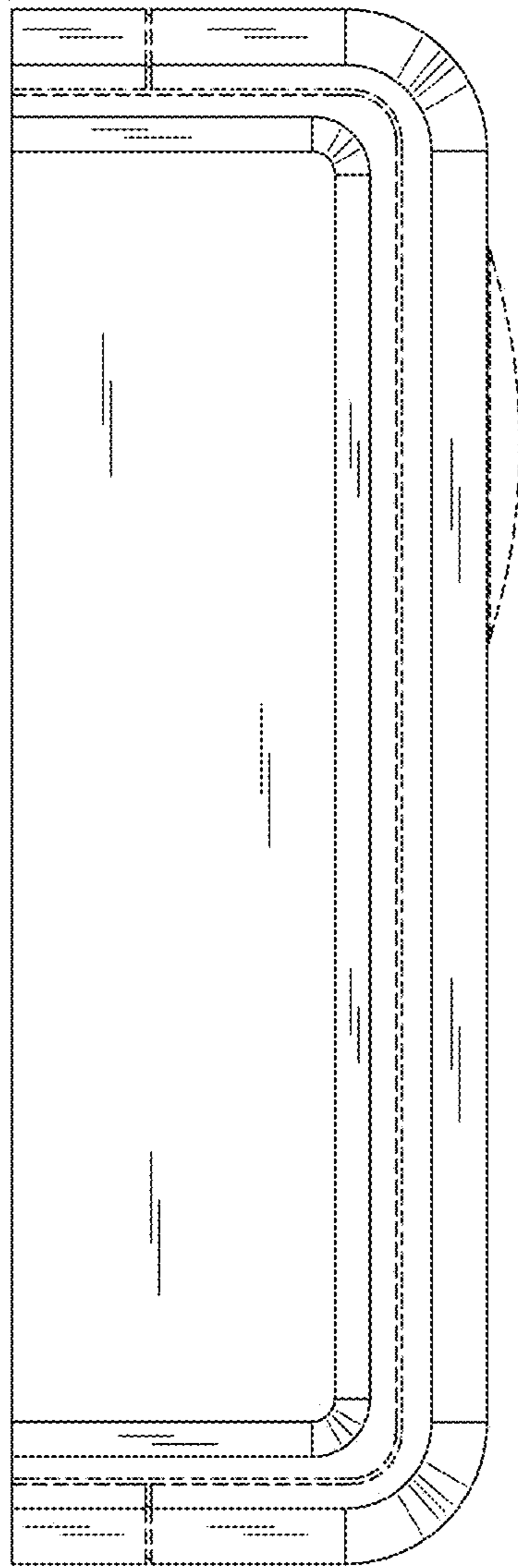


FIG. 5

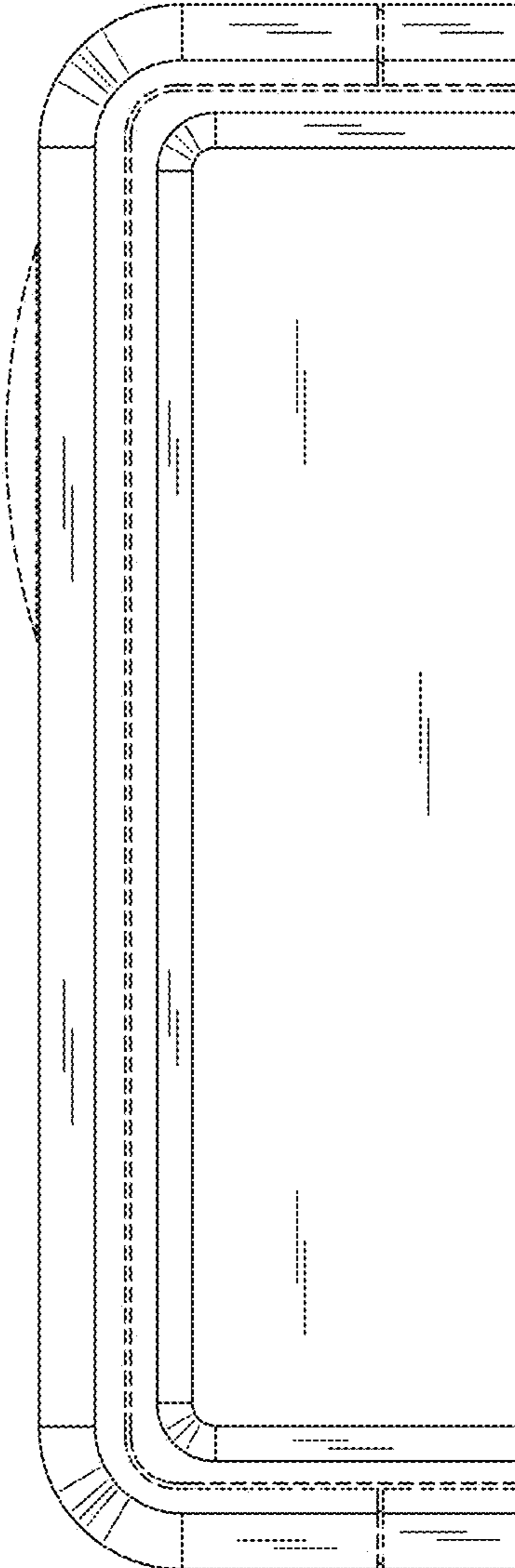


FIG. 6

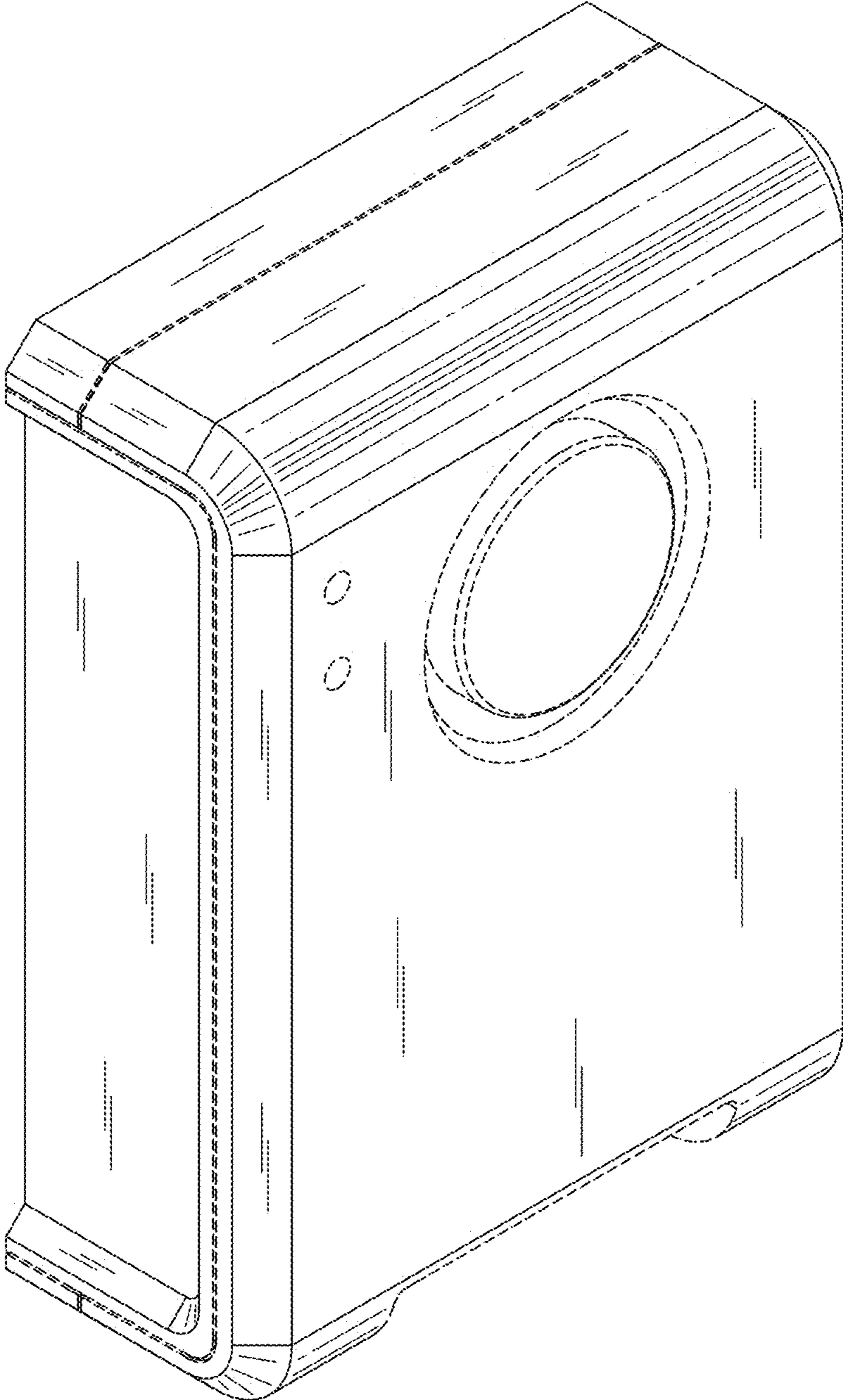


FIG. 7

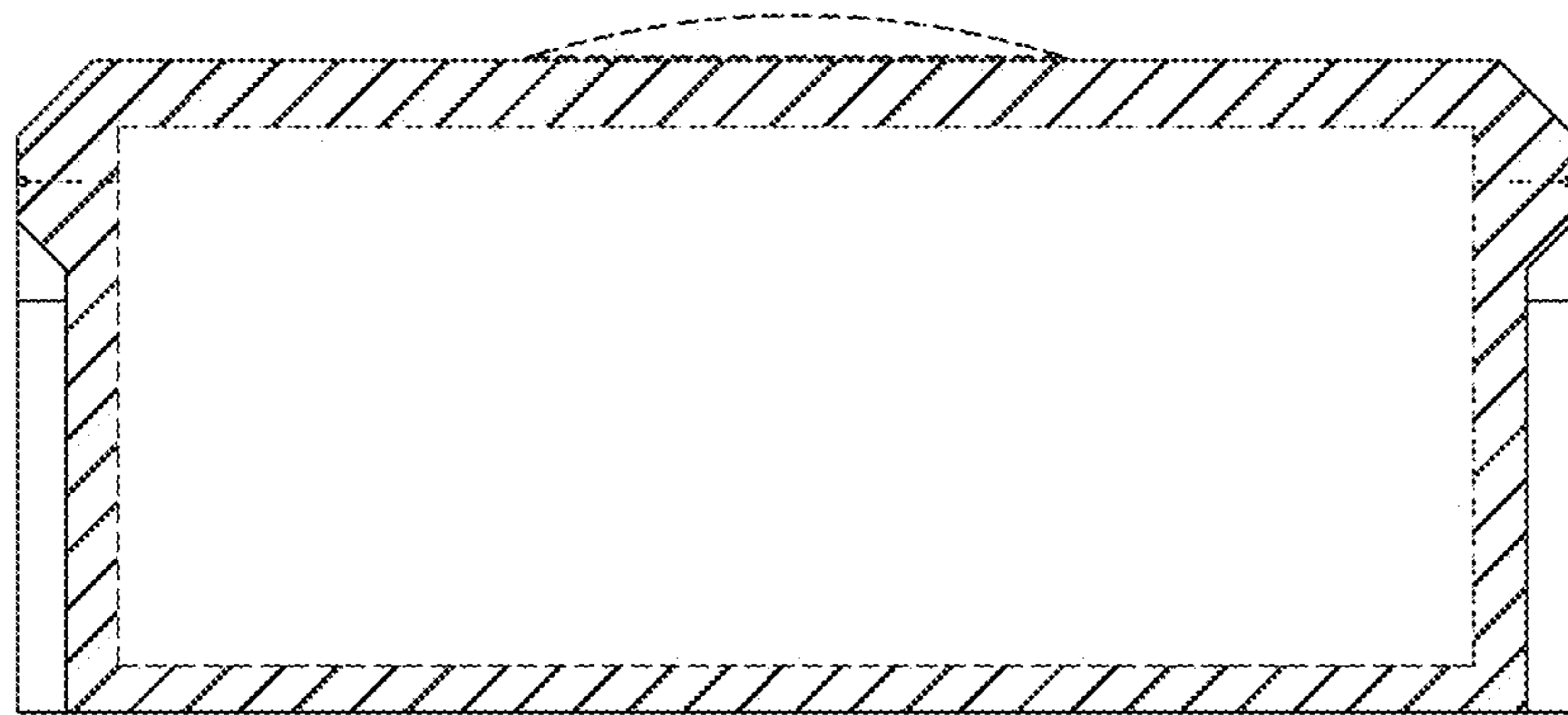


FIG. 8