



US00D874959S

(12) **United States Design Patent**  
**Buie et al.**

(10) **Patent No.:** **US D874,959 S**

(45) **Date of Patent:** **\*\* Feb. 11, 2020**

(54) **MULTILANE FLOW CELL**

(71) Applicant: **LIFE TECHNOLOGIES CORPORATION**, Carlsbad, CA (US)

(72) Inventors: **Creighton Buie**, Daly City, CA (US);  
**Albert Carrillo**, South San Francisco, CA (US); **Mark T. Reed**, Menlo Park, CA (US)

(73) Assignee: **LIFE TECHNOLOGIES CORPORATION**, Carlsbad, CA (US)

(\*\*) Term: **15 Years**

(21) Appl. No.: **29/660,061**

(22) Filed: **Aug. 16, 2018**

(51) **LOC (12) Cl.** ..... **10-04**

(52) **U.S. Cl.**  
USPC ..... **D10/96; D10/81; D24/224**

(58) **Field of Classification Search**  
USPC ..... D10/81, 96; D24/224, 225, 226  
CPC ..... G01N 21/05; G01N 2021/0346; G01N 21/553; G01N 2021/056; B01L 3/50273; B01L 3/502707; B01L 2300/069; B01L 2300/0816; B01L 2300/0819; B01L 2300/0851; B01L 2300/0887; B01L 2400/0406; B01L 2400/082; B01L 2400/086; F04B 19/006; Y10T 137/85978

See application file for complete search history.

(56) **References Cited**

U.S. PATENT DOCUMENTS

D512,657 S \* 12/2005 Mulder ..... D10/81  
8,263,025 B2 \* 9/2012 Miura ..... B01L 3/50273  
422/50

\* cited by examiner

*Primary Examiner* — Antoine Duval Davis

(57) **CLAIM**

The ornamental design for multilane flow cell, as shown and described.

**DESCRIPTION**

FIG. 1 is a perspective view of analytical equipment having a multilane flow cell showing the new design;

FIG. 2 is a top view thereof;

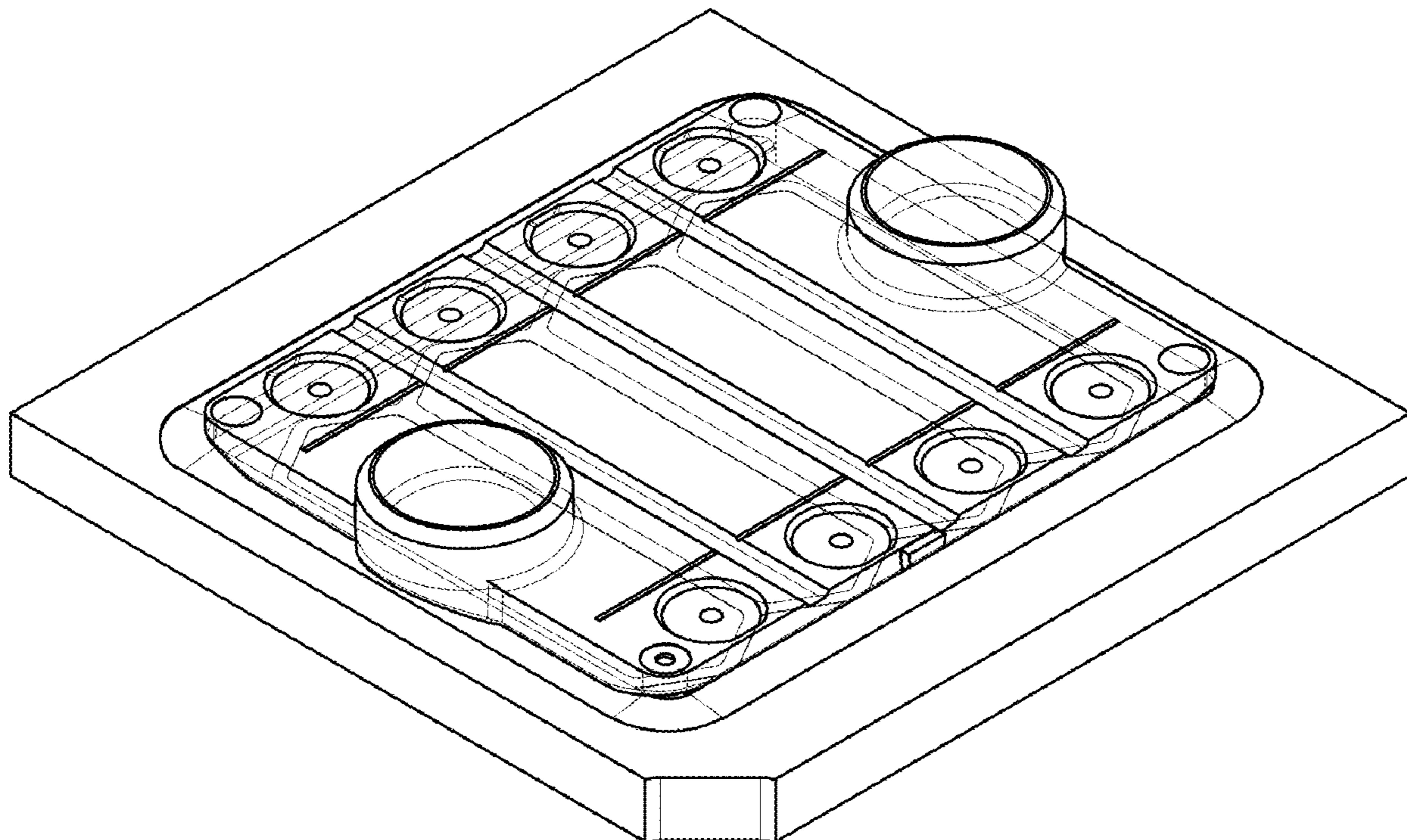
FIG. 3 is a bottom view thereof; and,

FIG. 4, FIG. 5, FIG. 6, and FIG. 7 are side views thereof.

The broken lines show electrical contacts for the purposes of illustrating environment and form no part of the claimed design.

Analytical equipment includes a multilane flow cell formed with an aesthetic and ornamental design.

**1 Claim, 6 Drawing Sheets**



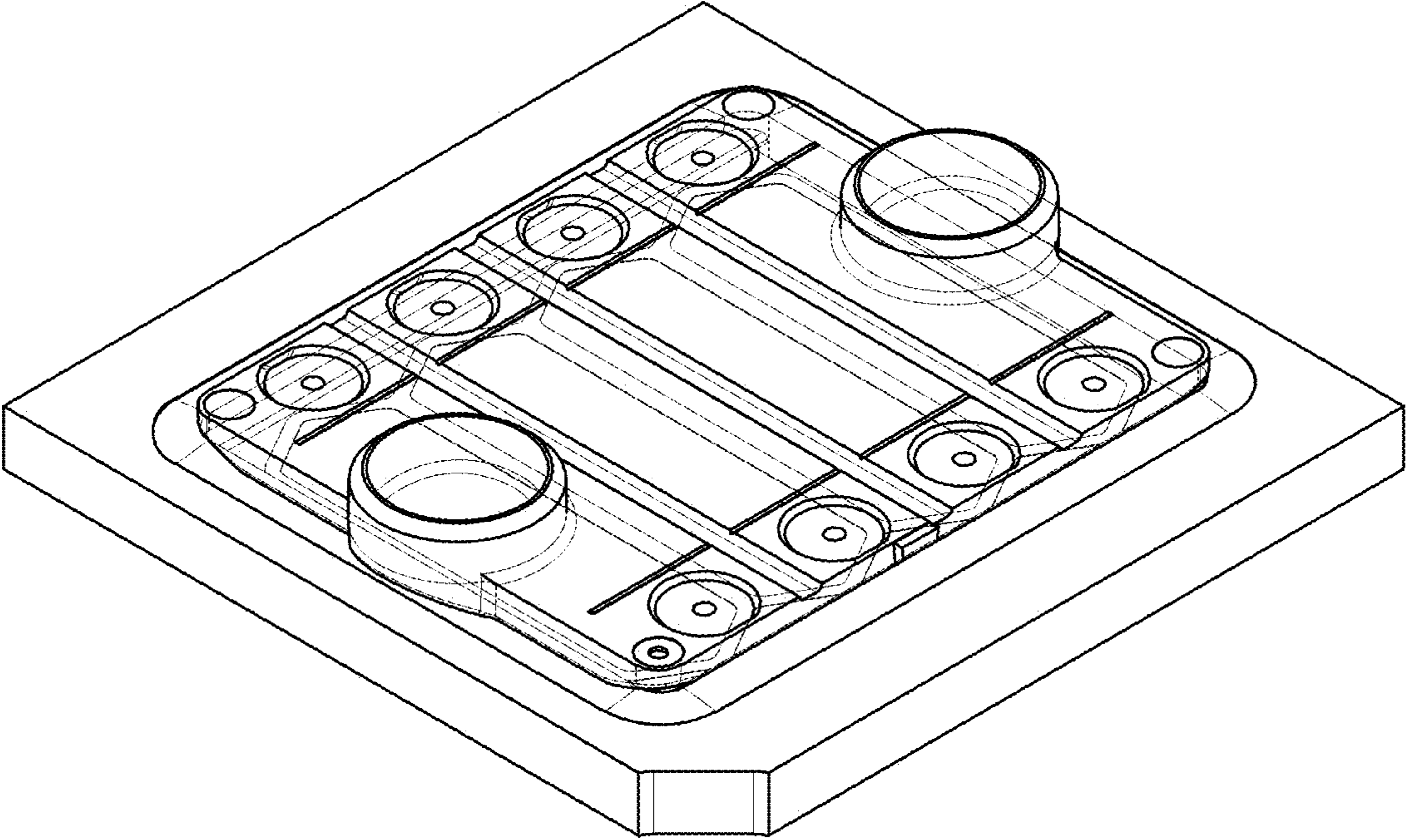


FIG. 1

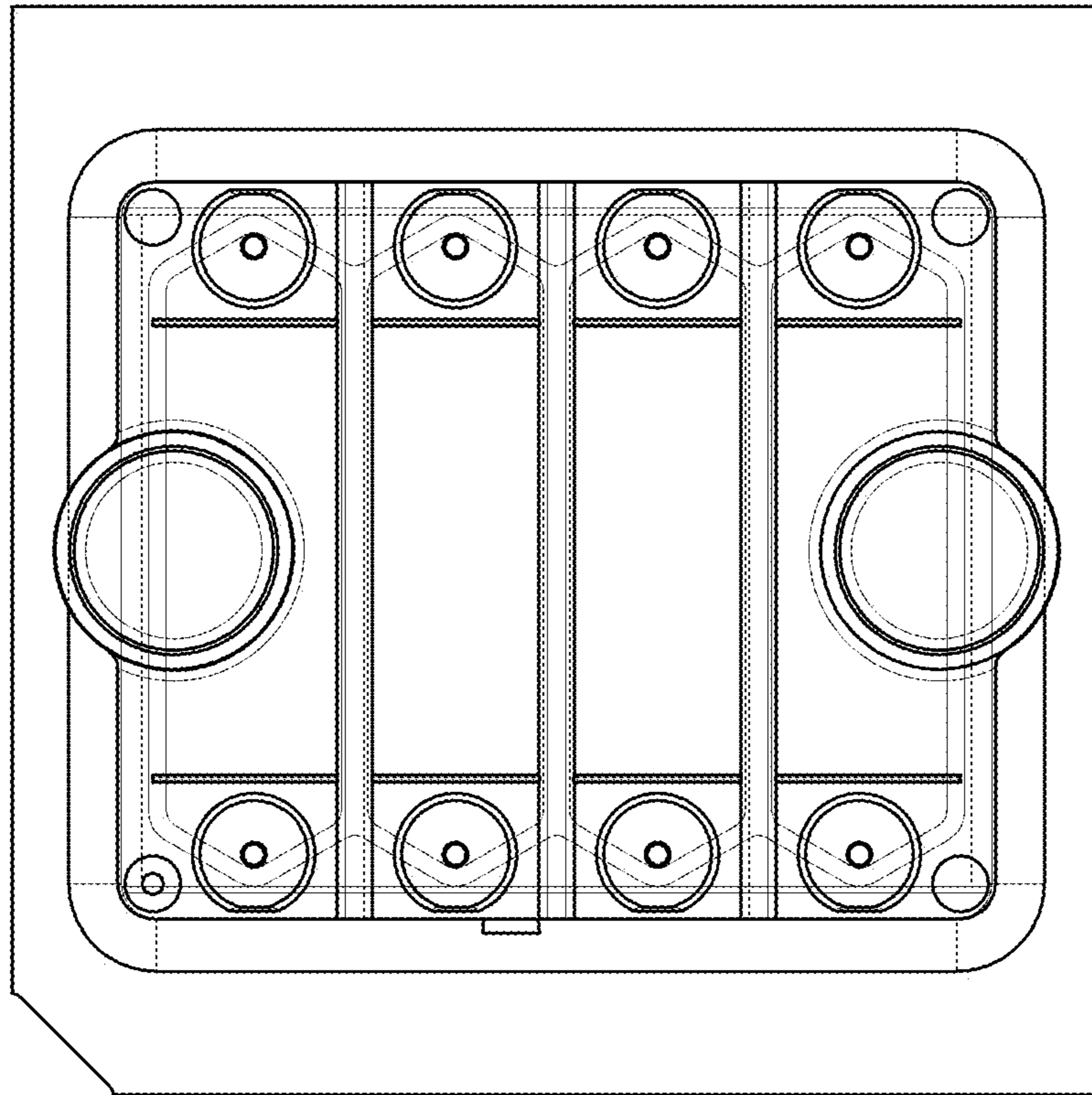


FIG. 2

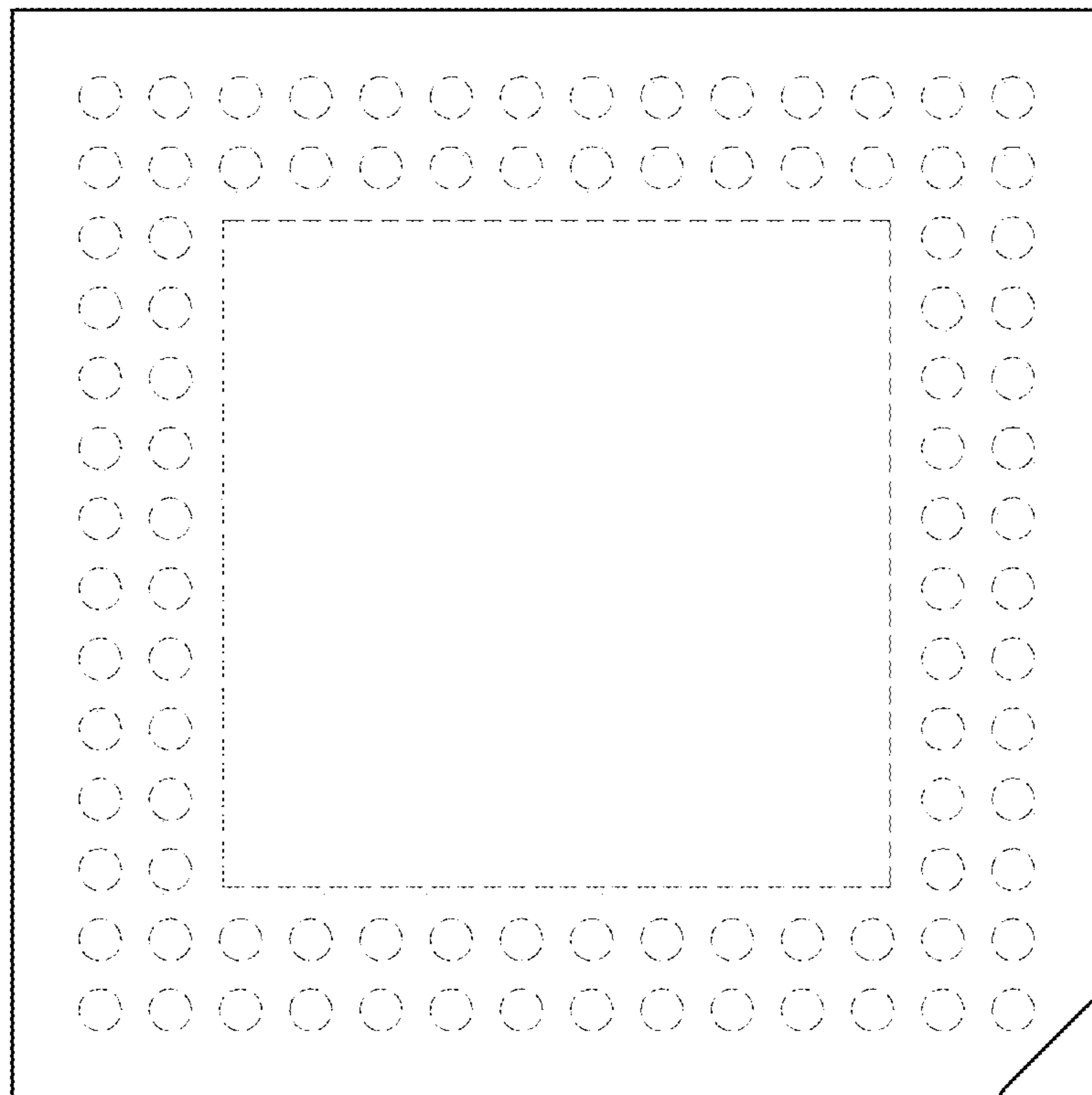


FIG. 3

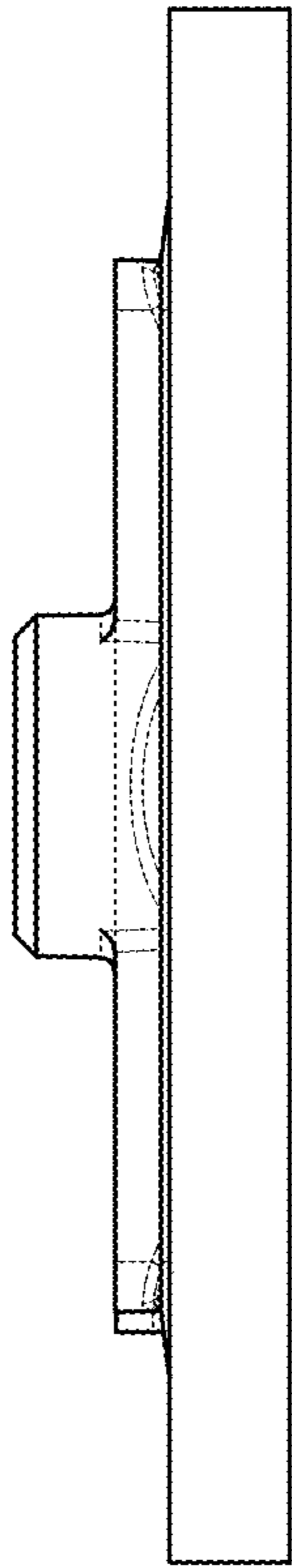


FIG. 4

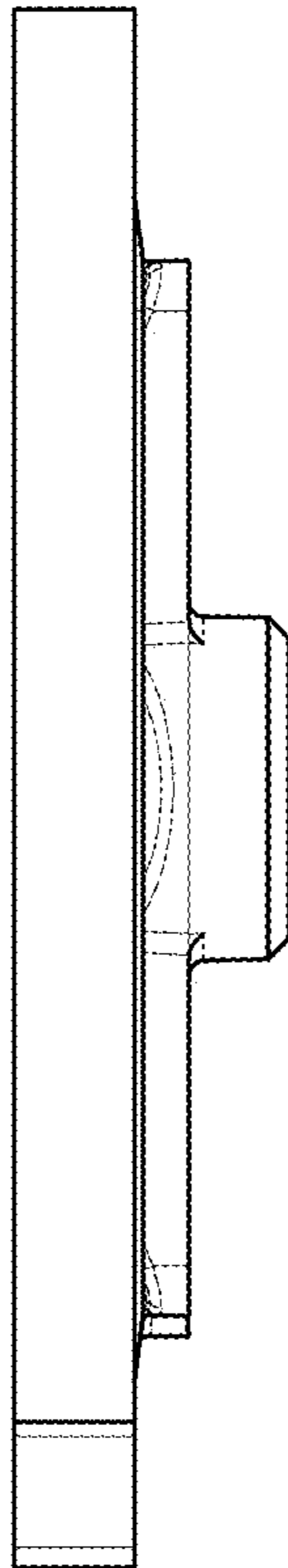


FIG. 5

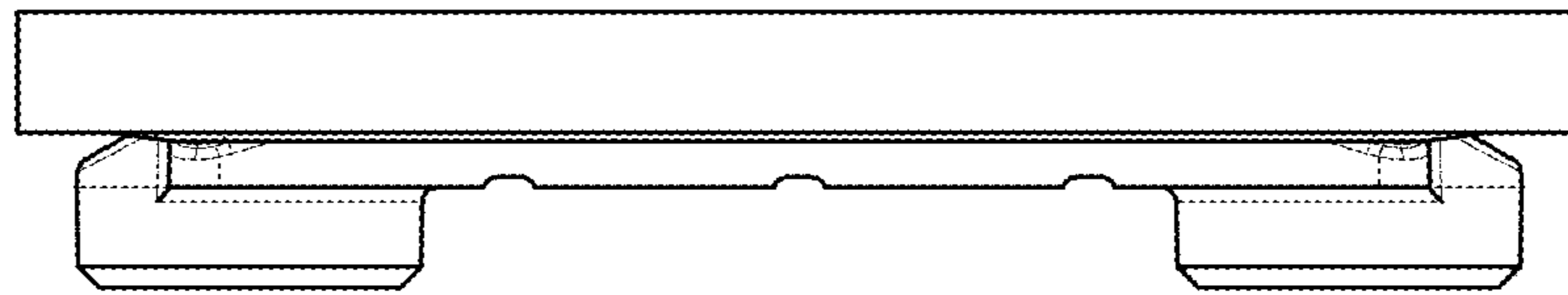


FIG. 6

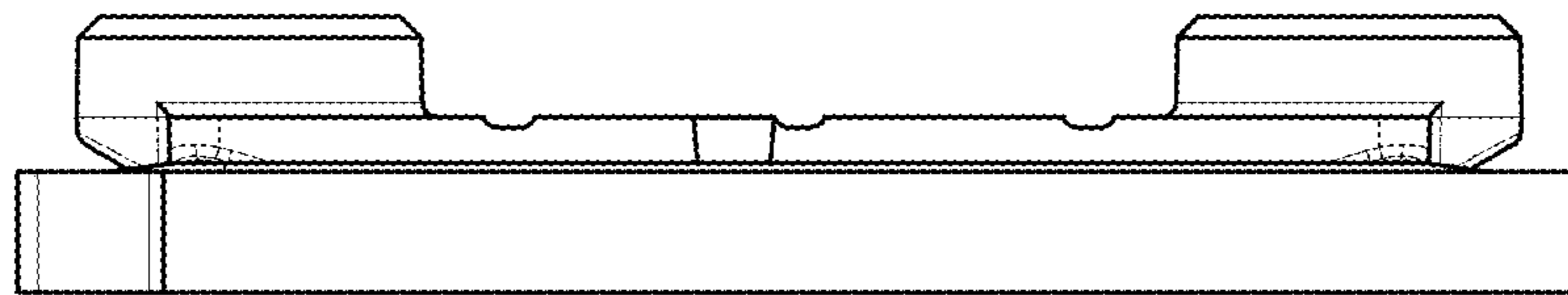


FIG. 7