



US00D874958S

(12) **United States Design Patent**  
**Nasu et al.**

(10) **Patent No.:** **US D874,958 S**

(45) **Date of Patent:** **\*\* Feb. 11, 2020**

(54) **ELECTRIC CONTACT**

(71) Applicant: **Kabushiki Kaisha Nihon Micronics,**  
Tokyo (JP)

(72) Inventors: **Mika Nasu,** Tokyo (JP); **Yoshihiko Otsuka,** Tokyo (JP); **Namiko Fukatsu,** Tokyo (JP)

(73) Assignee: **Kabushiki Kaisha Nihon Micronics,**  
Tokyo (JP)

(\*\*) Term: **15 Years**

(21) Appl. No.: **29/658,653**

(22) Filed: **Aug. 1, 2018**

(30) **Foreign Application Priority Data**

Feb. 2, 2018 (JP) ..... 2018-002100

(51) **LOC (12) Cl.** ..... **10-04**

(52) **U.S. Cl.**  
USPC ..... **D10/78**

(58) **Field of Classification Search**  
USPC ..... D10/78, 80  
CPC ..... G01R 1/06; G01R 1/067; G01R 1/06772;  
G01R 1/06777; G01R 1/06783; G01R  
1/06788; G01R 29/0878  
See application file for complete search history.

(56) **References Cited**

**U.S. PATENT DOCUMENTS**

- 4,634,968 A \* 1/1987 Aslan ..... G01R 21/10  
324/119
- 4,716,365 A \* 12/1987 Pool ..... G01R 1/06788  
324/72.5
- 4,740,746 A \* 4/1988 Pollock ..... G01R 1/06722  
324/754.06
- D311,346 S \* 10/1990 Gross ..... D10/80
- 5,172,051 A \* 12/1992 Zamborelli ..... G01R 1/06772  
324/149

- D397,052 S \* 8/1998 Arnoux ..... D10/80
- 7,208,971 B2 \* 4/2007 Lee ..... G01N 27/83  
324/750.25
- 8,283,939 B2 \* 10/2012 Li ..... G01R 1/06766  
324/437

(Continued)

*Primary Examiner* — Antoine Duval Davis

(74) *Attorney, Agent, or Firm* — Lorenz & Kopf, LLP

(57) **CLAIM**

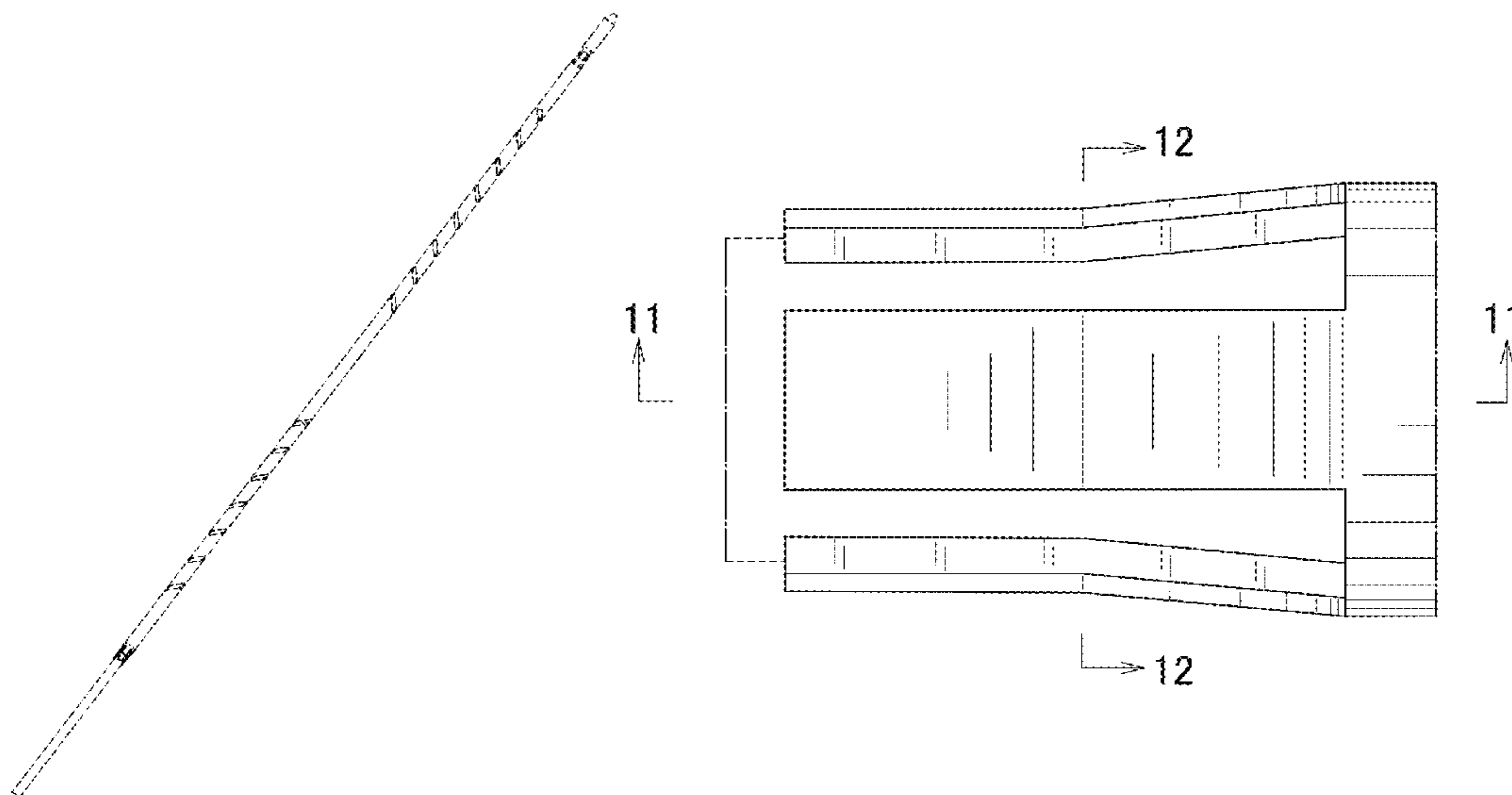
The ornamental design for an electric contact, as shown and described.

**DESCRIPTION**

FIG. 1 is a perspective view of a portion of an electric contact, showing the claimed design;  
 FIG. 2 is a front elevation view of the electric contact;  
 FIG. 3 is a rear elevation view of the electric contact;  
 FIG. 4 is a left side elevation view of the electric contact;  
 FIG. 5 is a right side elevation view of the electric contact;  
 FIG. 6 is a top plan view of the electric contact;  
 FIG. 7 is a bottom plan view of the electric contact;  
 FIG. 8 is an enlarged view of the section of the electric contact as indicated in FIG. 2;  
 FIG. 9 is an enlarged left side view of the section of the electric contact as indicated in FIG. 2;  
 FIG. 10 is an enlarged right side view of the section of the electric contact as indicated in FIG. 2;  
 FIG. 11 is a sectional view of the electric contact taken along line 11-11 in FIG. 8; and,  
 FIG. 12 is a sectional view of the electric contact taken along line 12-12 in FIG. 8.

The broken lines shown in the figures are only for the purpose of illustrating the unclaimed portions of the article, and form no part of the claimed design. Chain or line-dot broken lines indicate boundary lines between the claimed portions and the unclaimed portions, and are for illustration only and form no part of the claimed design.

**1 Claim, 5 Drawing Sheets**



(56)

**References Cited**

U.S. PATENT DOCUMENTS

D686,098 S \* 7/2013 Agar ..... G01R 1/067  
D10/78  
9,046,568 B2 \* 6/2015 Ho ..... G01R 1/06722  
D769,748 S \* 10/2016 Teranishi ..... G01R 1/06738  
D10/78  
D769,749 S \* 10/2016 Teranishi ..... G01R 1/06722  
D10/78  
D776,551 S \* 1/2017 Teranishi ..... G01R 1/06766  
D10/78  
D776,552 S \* 1/2017 Teranishi ..... G01N 27/83  
D10/78  
9,547,023 B2 \* 1/2017 Lee ..... G01R 1/06738  
9,810,715 B2 \* 11/2017 Campbell ..... G01R 1/06772  
10,241,133 B2 \* 3/2019 Campbell ..... G01R 1/06766  
2011/0050261 A1 \* 3/2011 Li ..... G01R 1/06766  
324/754.03  
2013/0069669 A1 \* 3/2013 Mogaveera ..... G01R 1/06777  
324/555  
2015/0070040 A1 \* 3/2015 Treibergs ..... G01R 1/06722  
324/754.11  
2015/0369859 A1 \* 12/2015 Suzuki ..... G01R 1/06722  
324/755.08  
2017/0138985 A1 \* 5/2017 Teranishi ..... G01R 1/067

\* cited by examiner

FIG. 1

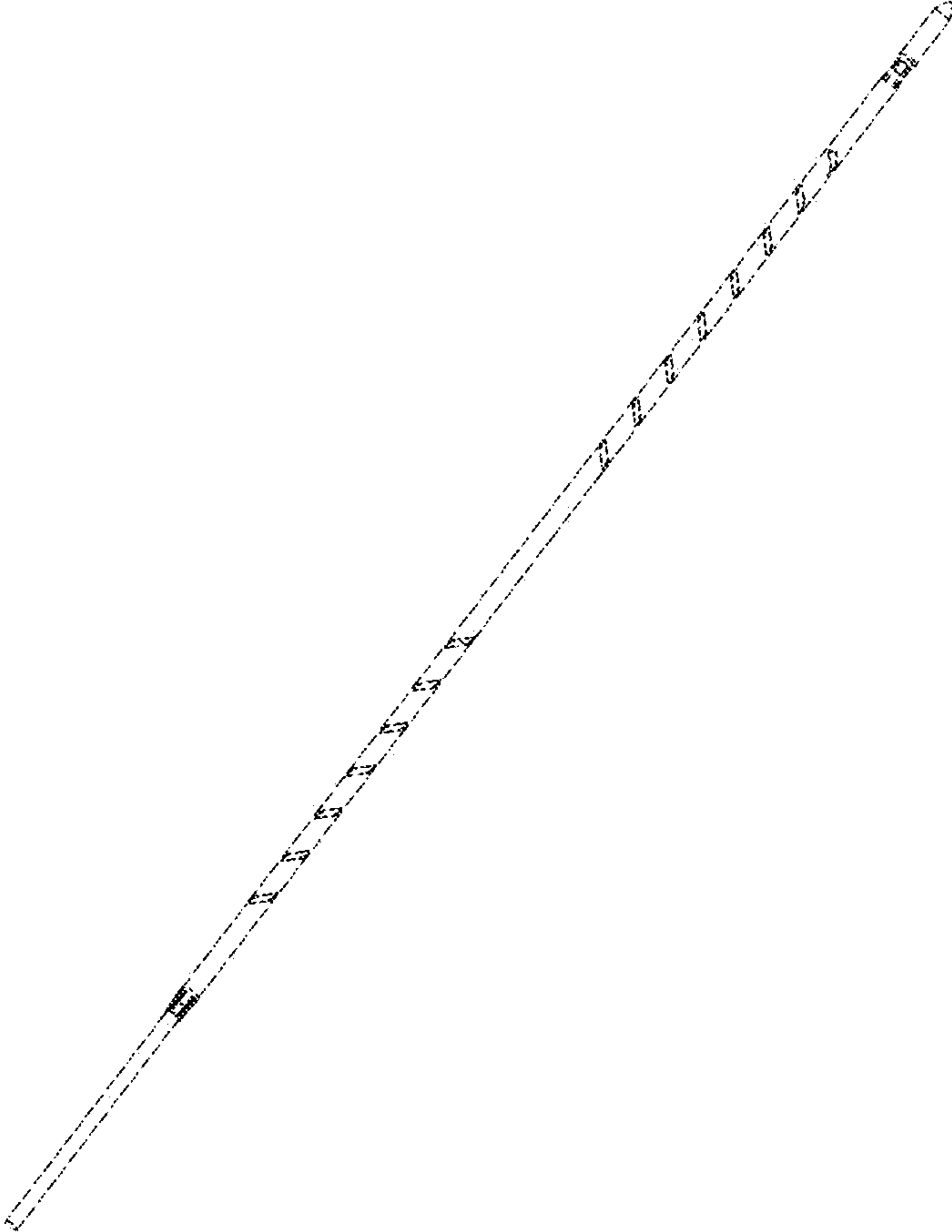


FIG.2

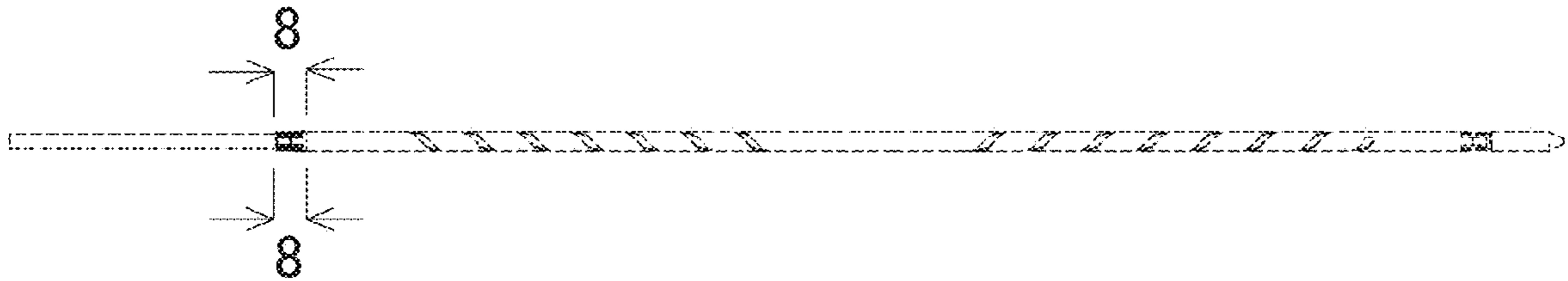


FIG.3

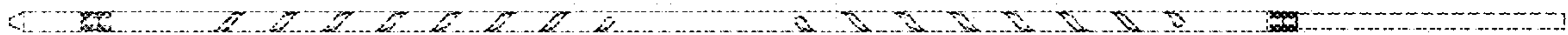


FIG.4



FIG.5



FIG.6

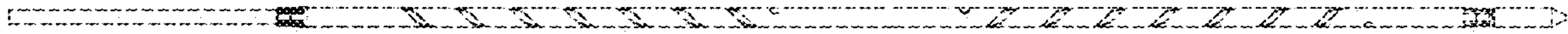


FIG.7

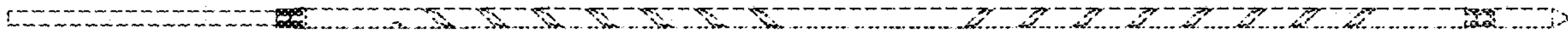


FIG.8

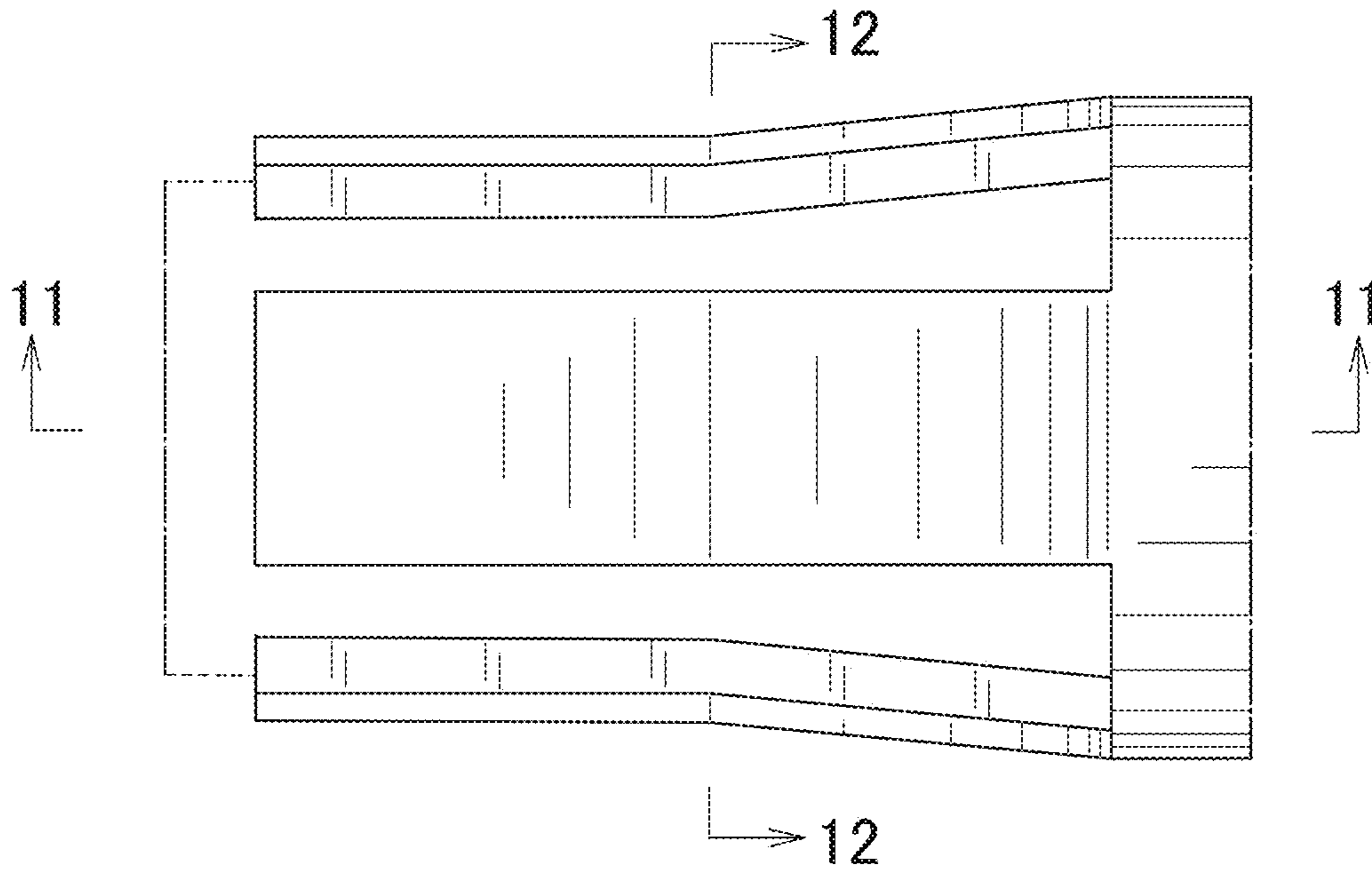


FIG.9

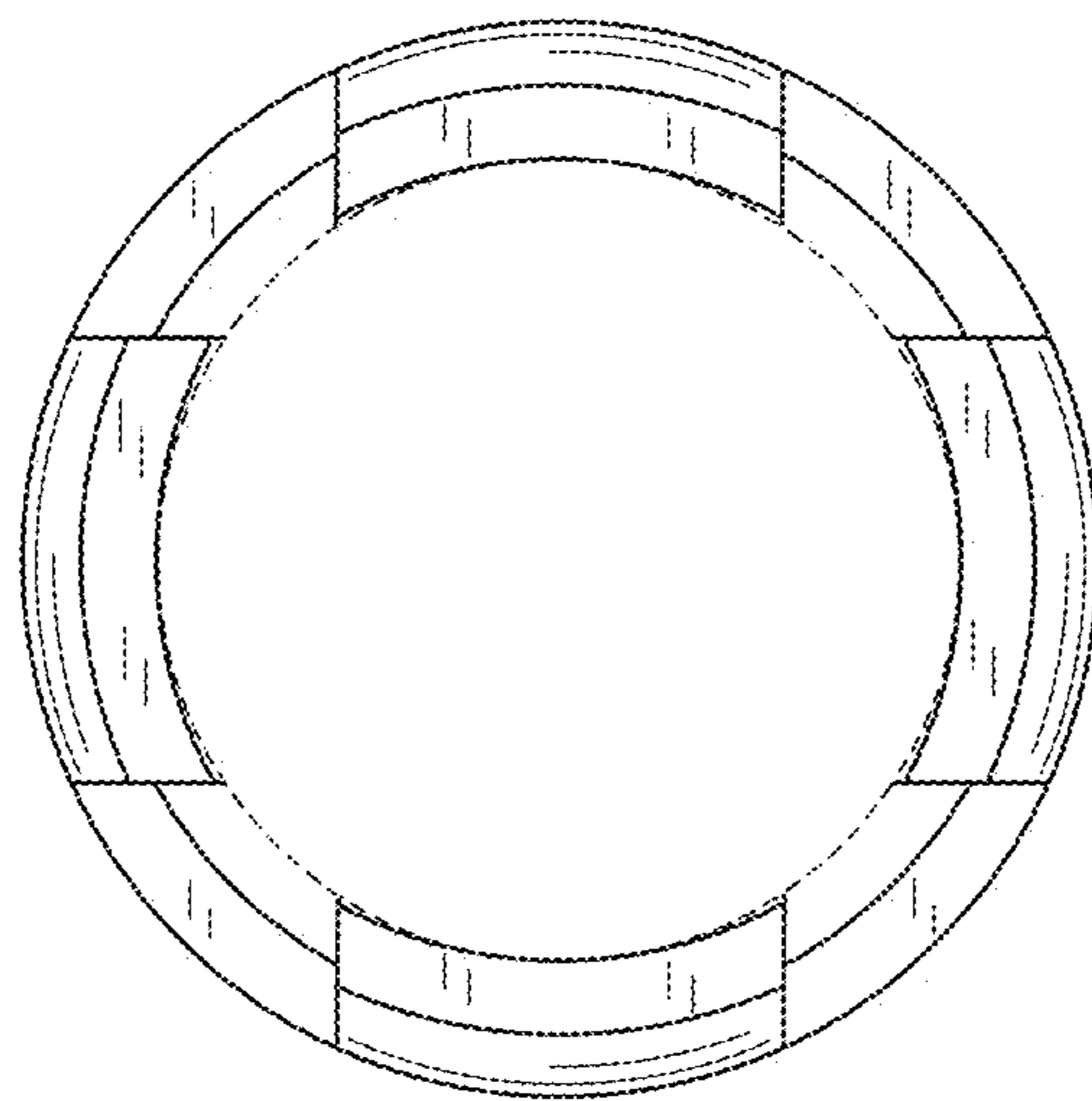


FIG.10

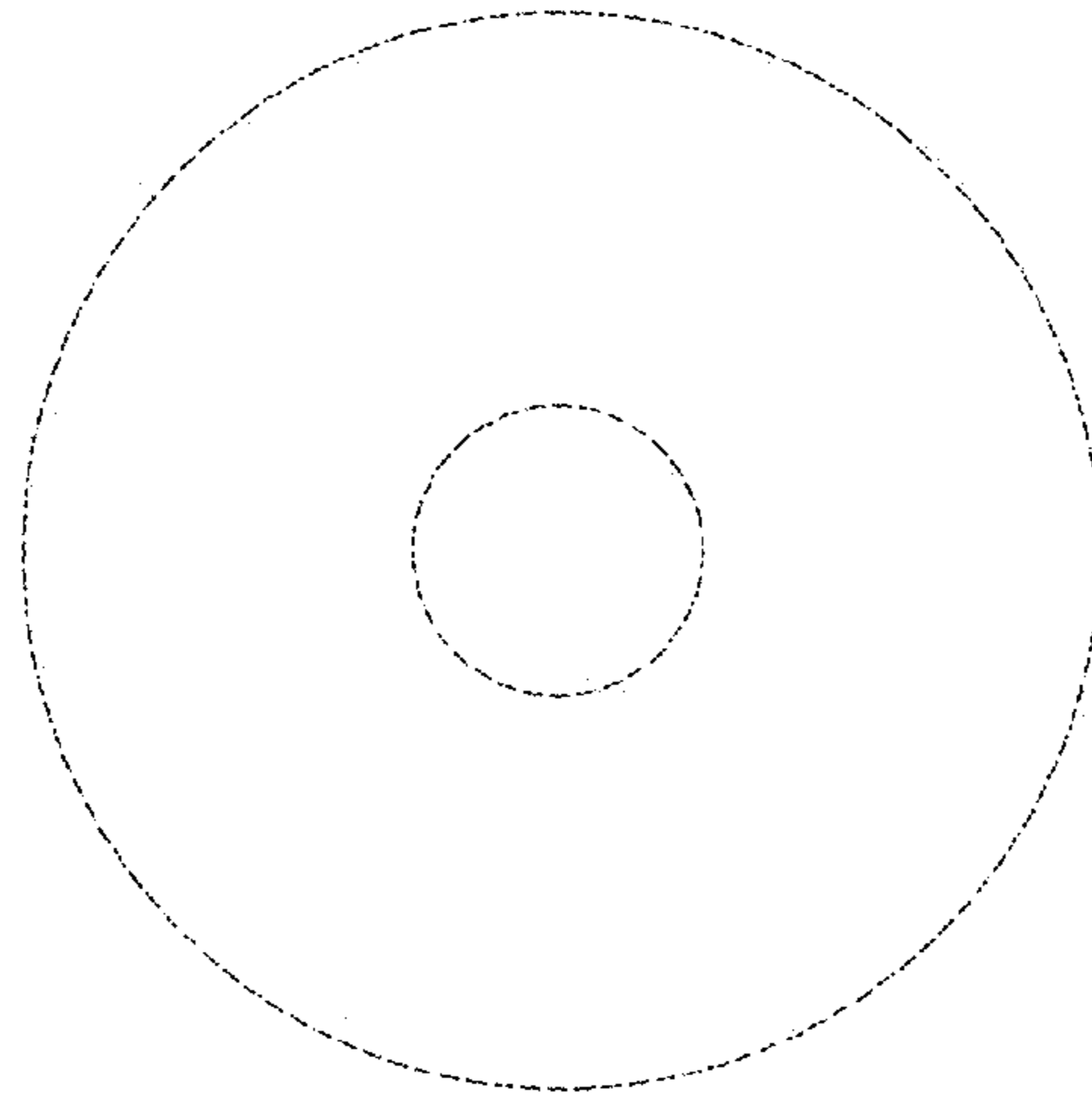


FIG.11

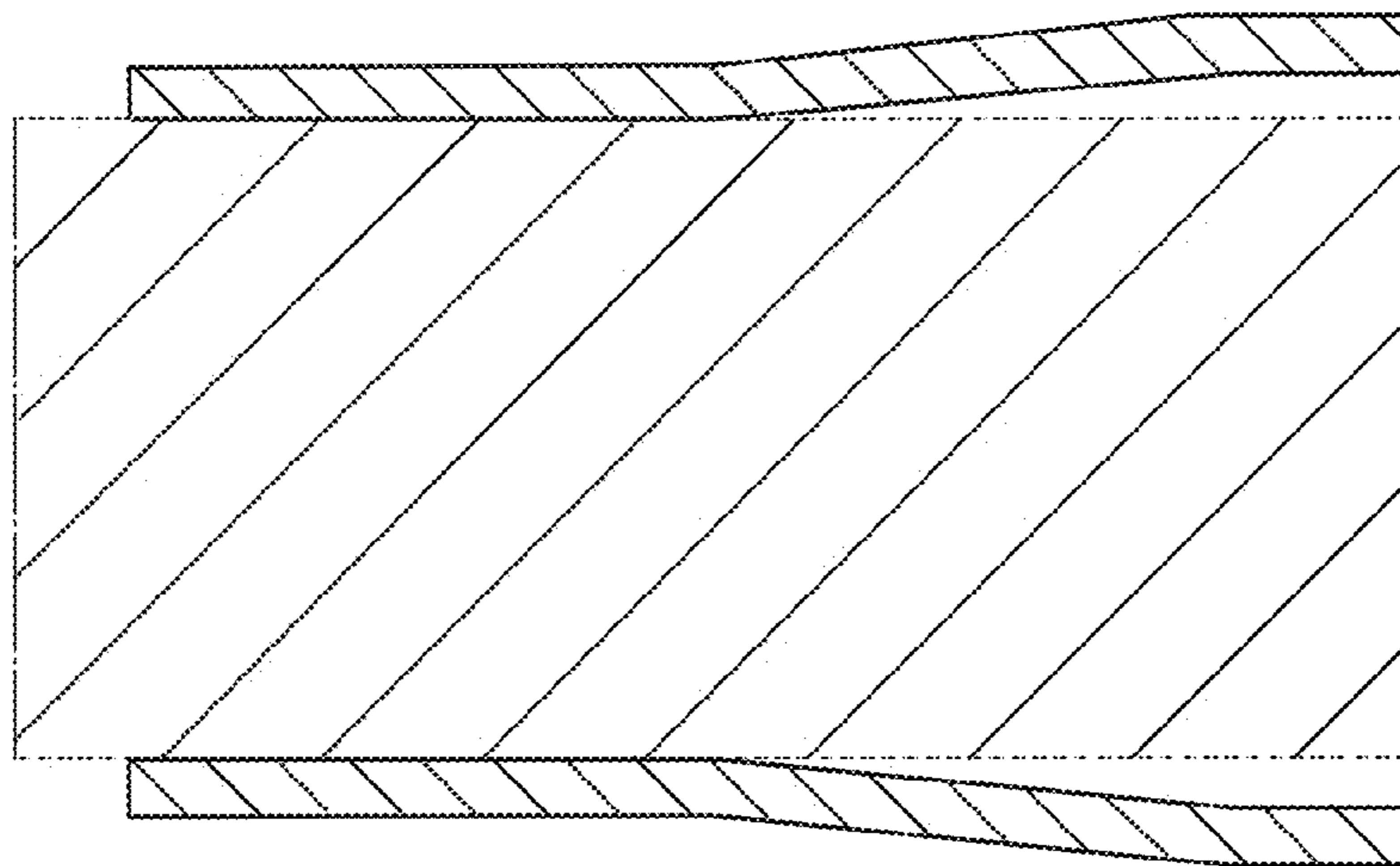


FIG.12

