



US00D874956S

(12) **United States Design Patent** (10) **Patent No.:** **US D874,956 S**
Ahn et al. (45) **Date of Patent:** **** Feb. 11, 2020**

(54) **ROOF SENSOR HOUSING**

(71) Applicant: **Waymo LLC**, Mountain View, CA (US)
(72) Inventors: **YooJung Ahn**, Mountain View, CA (US); **Jared Gross**, Belmont, CA (US); **Albert Shane**, Berkeley, CA (US)
(73) Assignee: **Waymo LLC**, Mountain View, CA (US)

(**) Term: **15 Years**

(21) Appl. No.: **29/694,101**

(22) Filed: **Jun. 7, 2019**

Related U.S. Application Data

(62) Division of application No. 29/640,538, filed on Mar. 15, 2018.

(51) **LOC (12) Cl.** **10-04**

(52) **U.S. Cl.**
USPC **D10/70**

(58) **Field of Classification Search**
USPC D10/70; D12/190, 197
CPC .. B60Q 1/0017; B60Q 1/0023; B60Q 1/0029;
B60Q 1/0035; B60Q 1/0041; B60Q 1/26;
B60Q 1/2603; B60Q 1/2607; B60Q
1/2611; B60Q 9/002; B60Q 9/003; B60Q
9/004; B60Q 9/006; B60Q 9/007; B60Q
9/008; B60R 1/10; B60R 1/12; B60R
2001/1284
See application file for complete search history.

(56) **References Cited**

U.S. PATENT DOCUMENTS

D328,436 S 8/1992 Fuerst et al.
5,945,907 A 8/1999 Yaron et al.

D478,518 S	8/2003	Porter	
D525,888 S	8/2006	Porter	
D563,246 S *	3/2008	Ishii	D10/66
7,517,099 B2	4/2009	Hannah	
D717,720 S	11/2014	Marino	
D739,336 S	9/2015	Berrey	
9,725,060 B1	8/2017	Daniel et al.	
9,862,311 B2	1/2018	Kiryama et al.	
D822,580 S	7/2018	Eriksson et al.	
2016/0011594 A1	1/2016	Chung et al.	
2017/0151933 A1	6/2017	Doorley et al.	
2017/0293016 A1	10/2017	McCloskey et al.	
2017/0300060 A1	10/2017	Crawley	
2017/0343654 A1	11/2017	Valois et al.	
2018/0011173 A1	1/2018	Newman	
2018/0015886 A1	1/2018	Frank et al.	
2018/0017680 A1	1/2018	Pennecot et al.	
2018/0037268 A1	2/2018	Moore et al.	
2018/0086280 A1	3/2018	Nguyen	

* cited by examiner

Primary Examiner — Antoine Duval Davis

(74) *Attorney, Agent, or Firm* — Botos Churchill IP Law

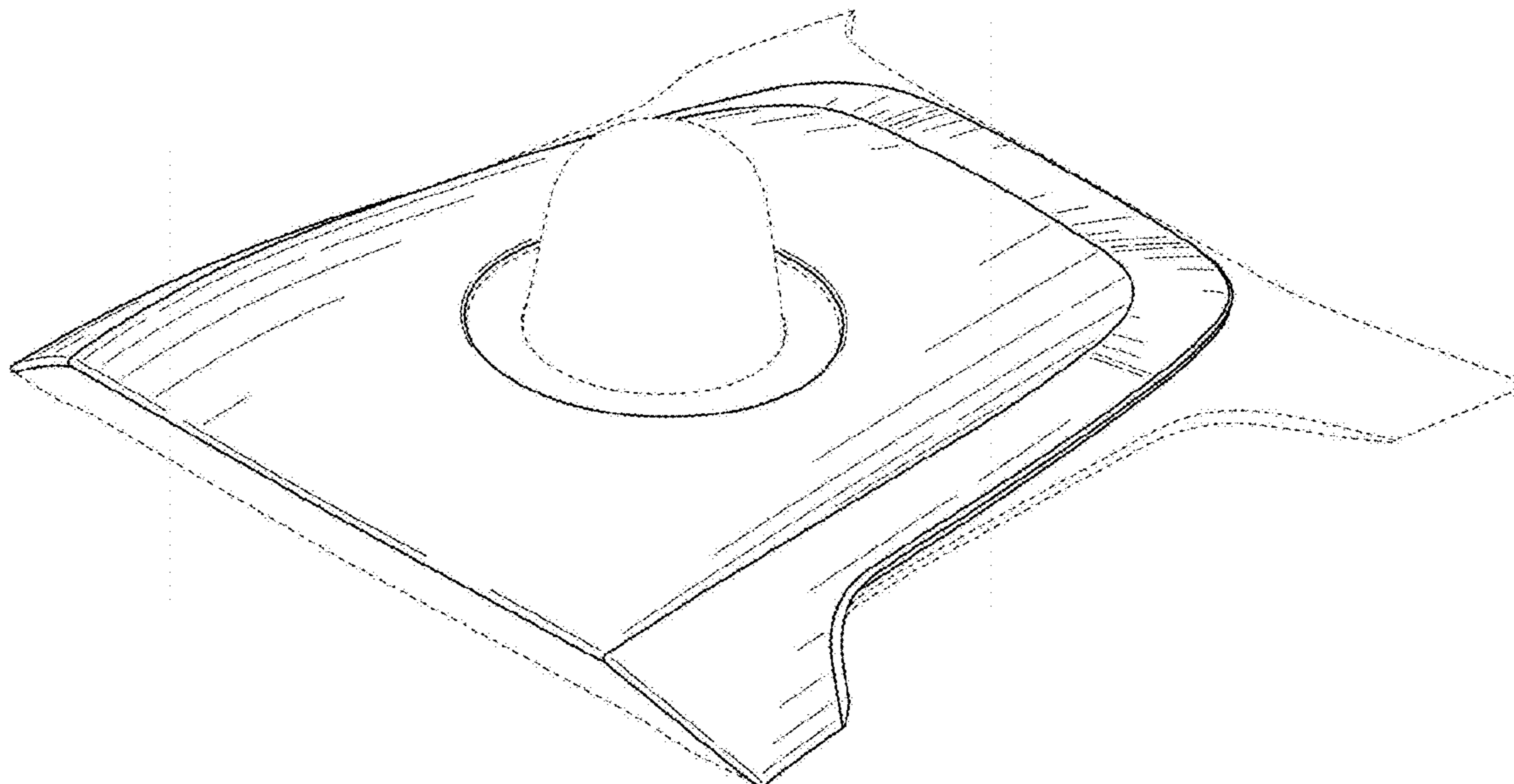
(57) **CLAIM**

The ornamental design for a roof sensor housing, as shown and described.

DESCRIPTION

FIG. 1 is a front perspective view of a roof sensor housing according to our design;
FIG. 2 is a front elevation view thereof;
FIG. 3 is a back elevation view thereof;
FIG. 4 is a right side elevation view thereof;
FIG. 5 is a left side elevation view thereof;
FIG. 6 is a top plan view thereof; and,
FIG. 7 is a bottom plan view thereof.
The broken lines illustrate portions of the roof sensor housing that form no part of the claimed design.

1 Claim, 4 Drawing Sheets



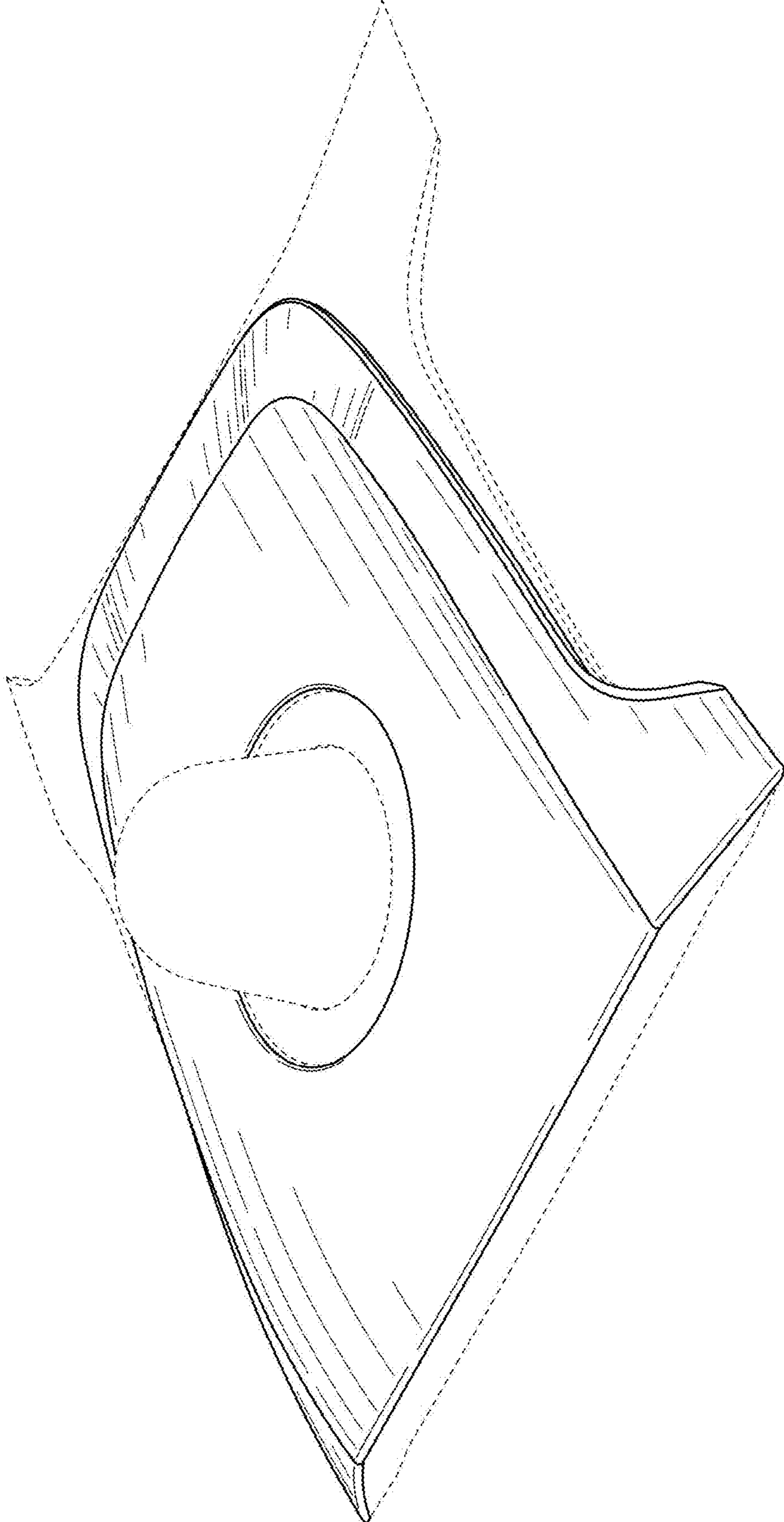


FIG. 1

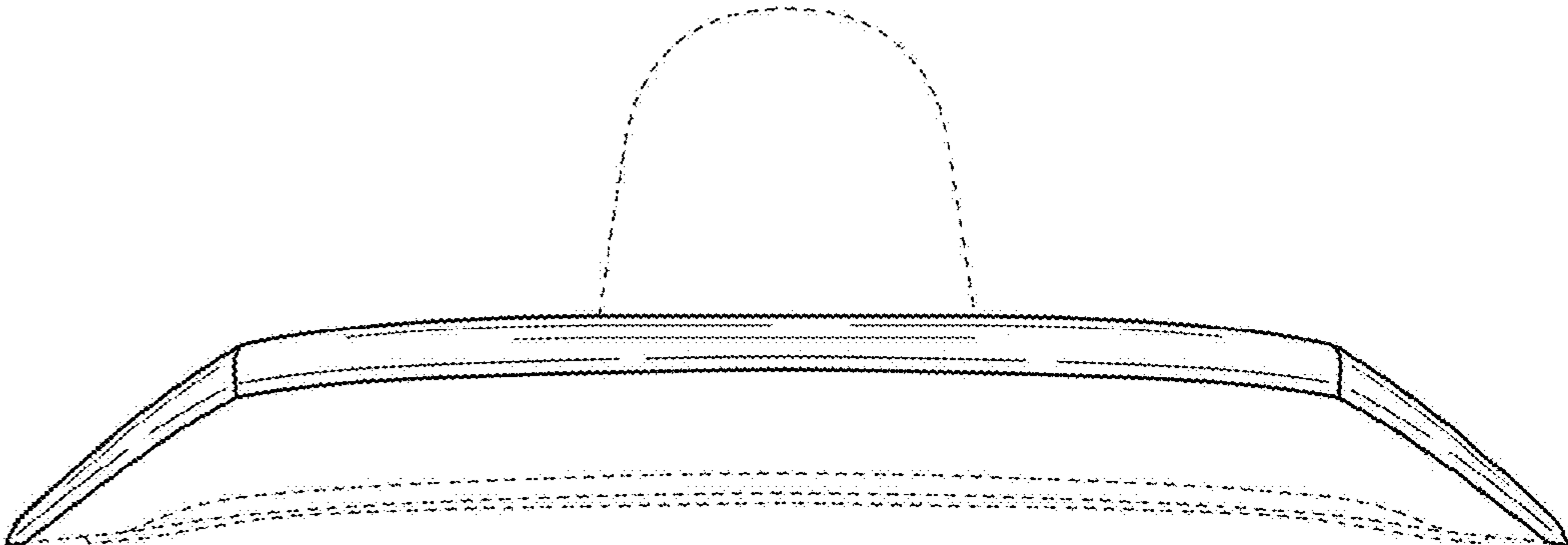


FIG. 2

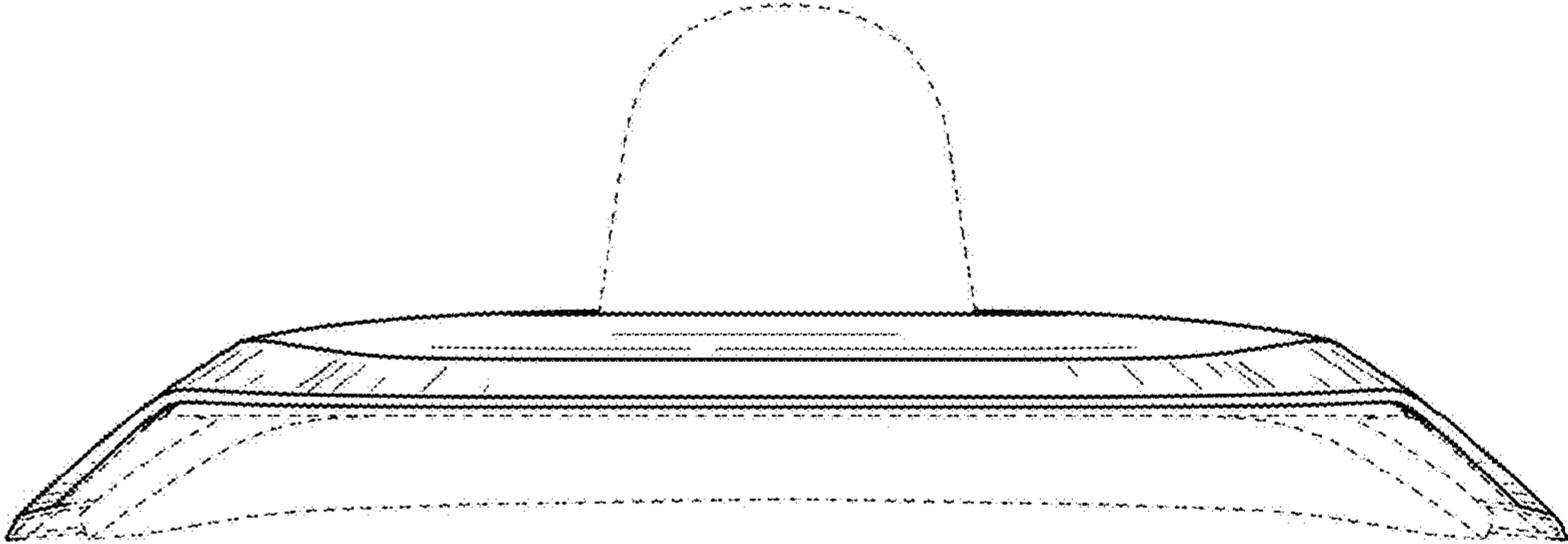


FIG. 3

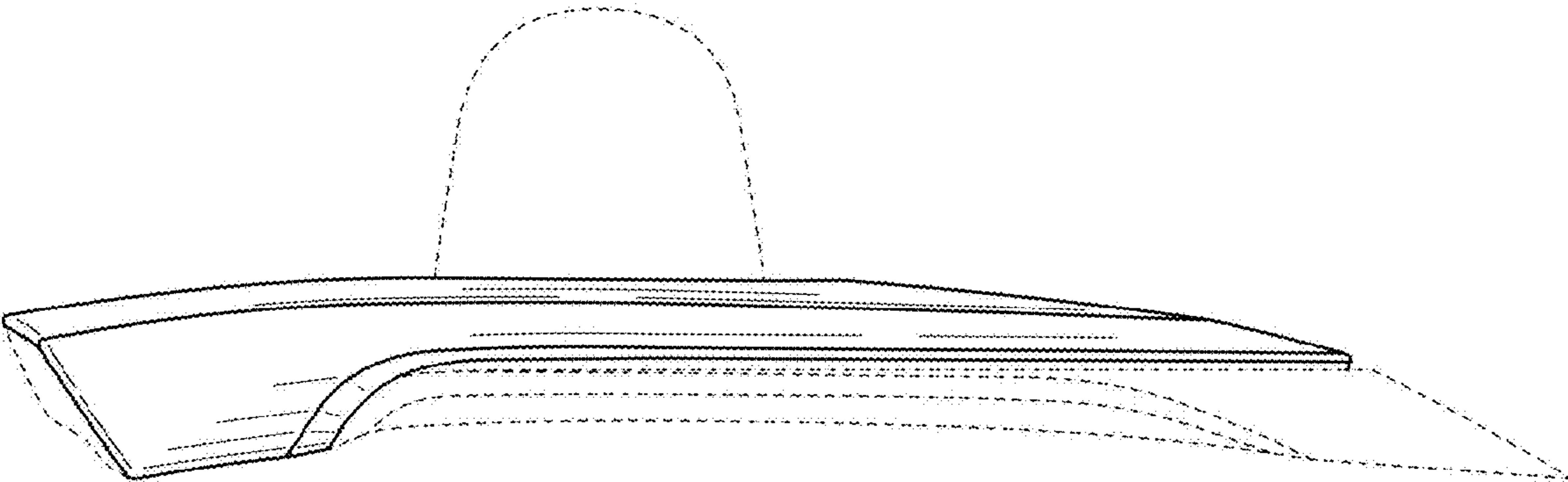


FIG. 4

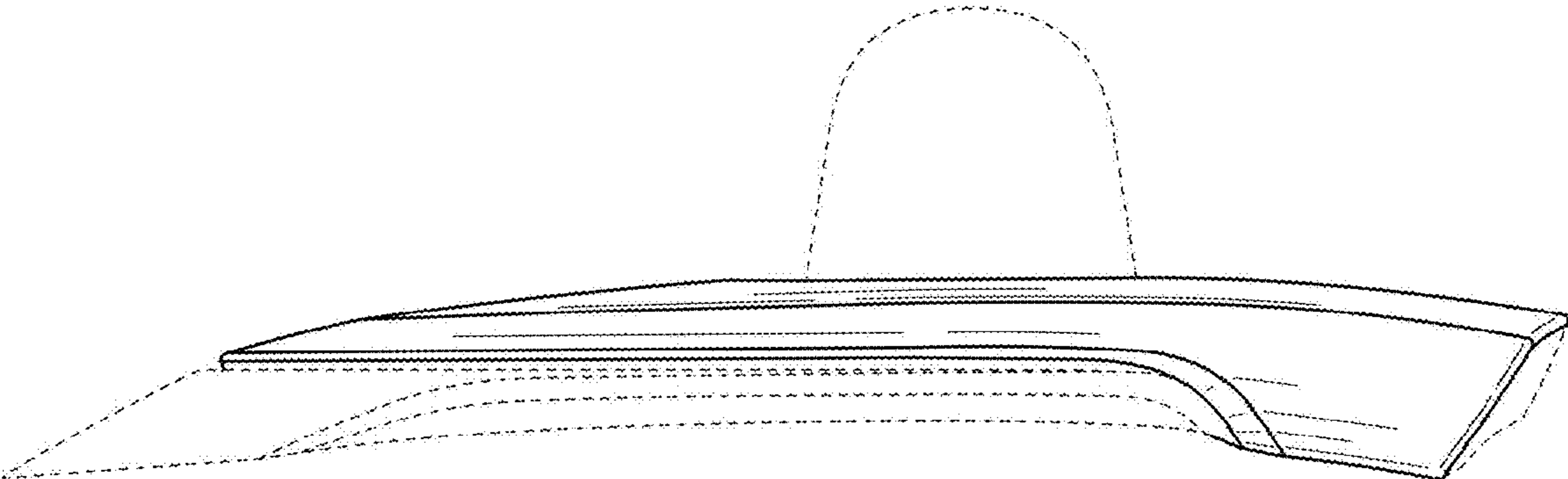


FIG. 5

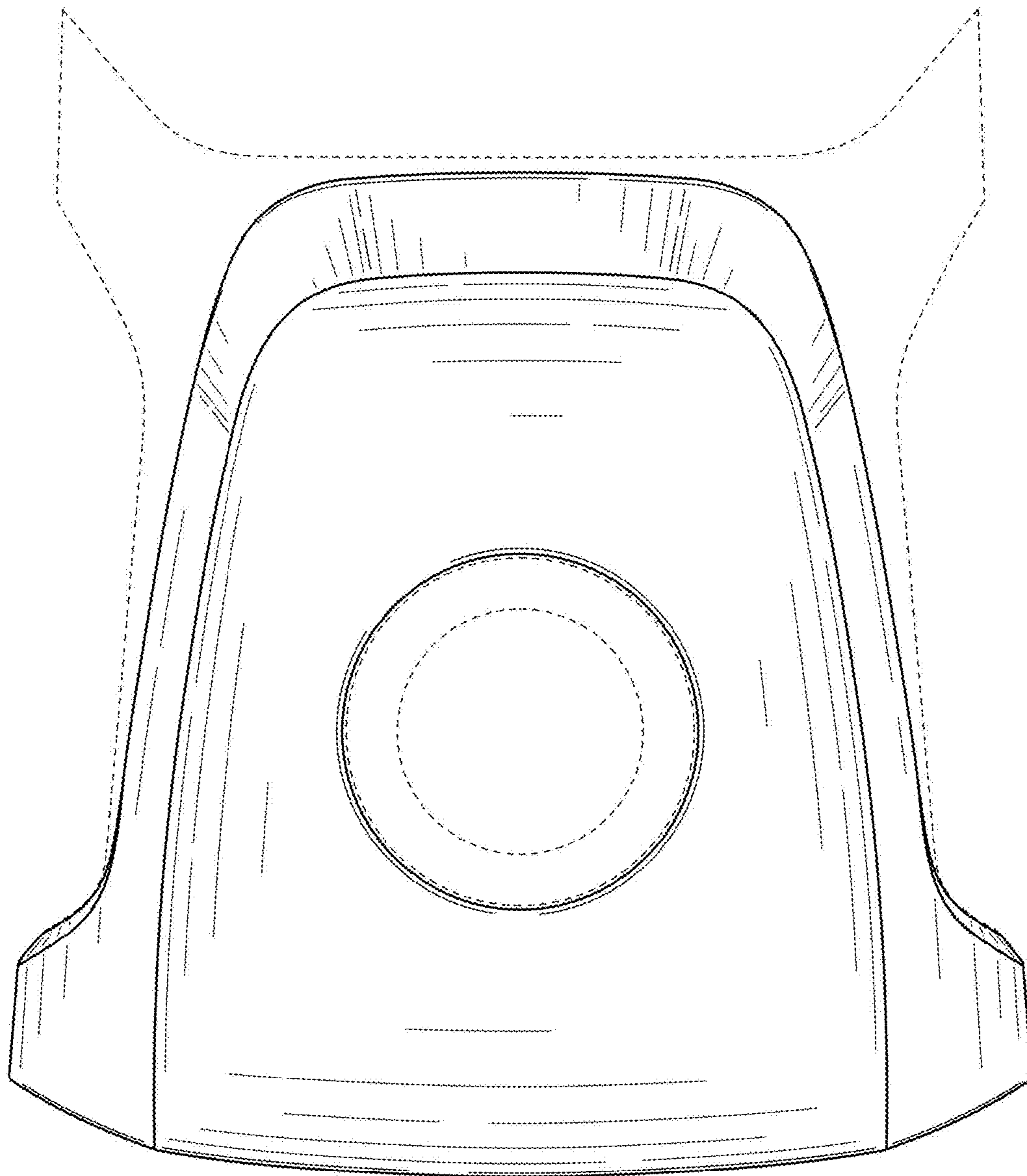


FIG. 6

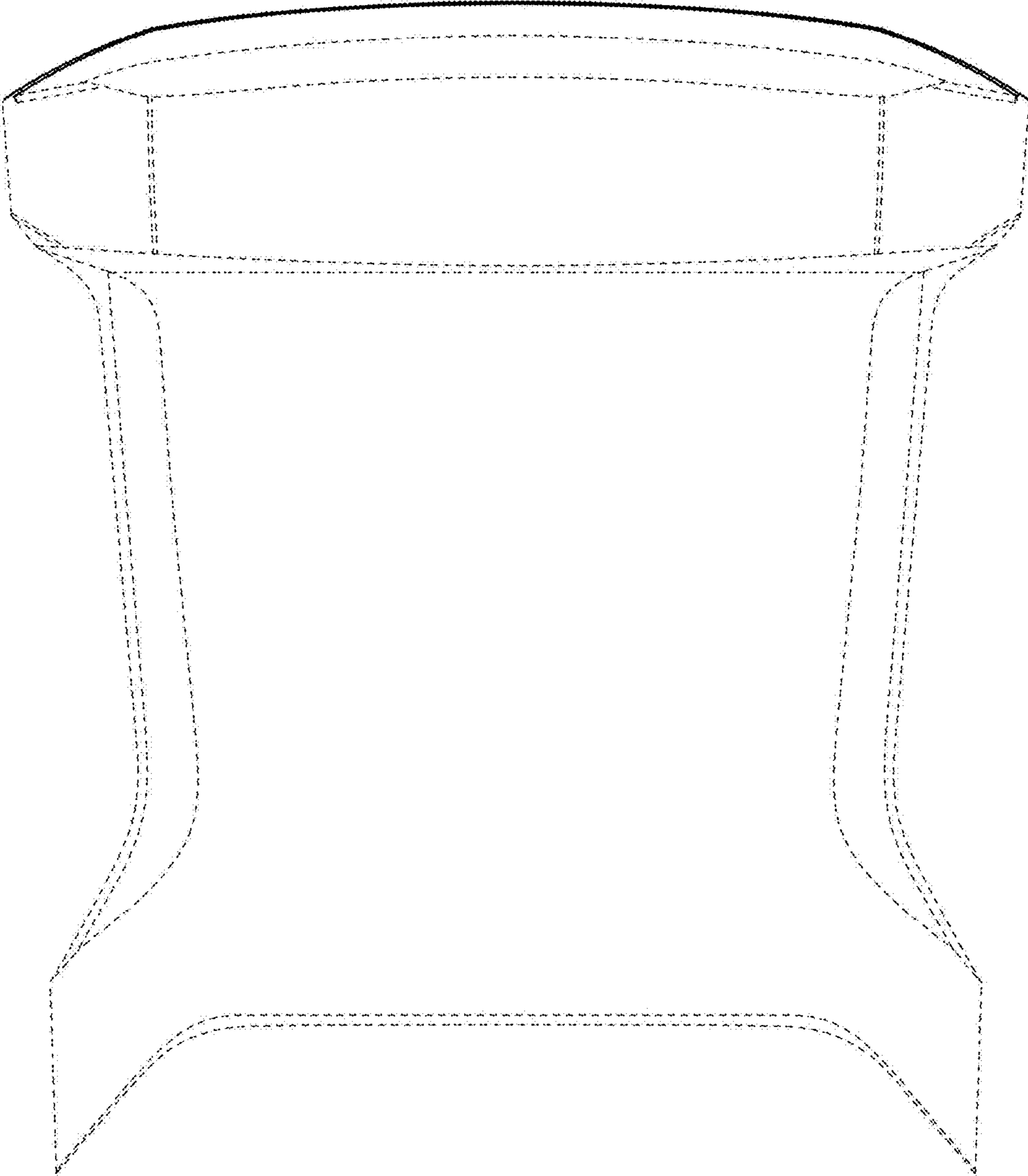


FIG. 7