



US00D874953S

(12) **United States Design Patent**
Christopherson

(10) **Patent No.:** **US D874,953 S**

(45) **Date of Patent:** **** Feb. 11, 2020**

(54) **QUILT RULER**

(71) Applicant: **Kimberbell Kids L.L.C.**, North Logan,
UT (US)

(72) Inventor: **Kimberly Christopherson**, North
Logan, UT (US)

(73) Assignee: **Kimberbell Kids L.L.C.**, North Logan,
UT (US)

(**) Term: **15 Years**

(21) Appl. No.: **29/665,895**

(22) Filed: **Oct. 8, 2018**

(51) **LOC (12) Cl.** **10-04**

(52) **U.S. Cl.**

USPC **D10/64; D10/71**

(58) **Field of Classification Search**

USPC **D10/64, 65, 71**

CPC **B43L 7/027; B43L 7/10; B43L 7/12; B43L
7/125; B43L 7/14; B43L 12/00; B43L
13/20; B43L 13/201; B43L 13/203; B43L
13/205; B43L 13/206; B43L 13/208;
B43L 7/005; G01B 3/14; G01B 3/04;
D05B 39/005; D05B 97/02; D05B 97/12;
D05C 7/02; D05C 11/10; D05C 13/00;
B25H 7/02**

See application file for complete search history.

(56) **References Cited**

U.S. PATENT DOCUMENTS

D142,608 S * 10/1945 Ziegfield 33/1 A
D242,903 S * 1/1977 Benoit D10/64
D361,533 S * 8/1995 Kerry, Sr. D10/64
6,513,257 B2 * 2/2003 Nejad-Sattari G01B 3/14
33/1 BB
D597,869 S * 8/2009 Elias B43L 7/027
D10/64
D632,193 S * 2/2011 Martin D10/64

D639,682 S * 6/2011 Kozina B27F 5/12
D10/64

9,157,247 B2 * 10/2015 Korevaar E04G 21/22
D830,205 S * 10/2018 Horton B43L 7/027
D10/64

D836,470 S * 12/2018 Ming G01B 3/14
D10/65

(Continued)

Primary Examiner — Antoine Duval Davis

(74) *Attorney, Agent, or Firm* — Preston P. Frischknecht;
Project CIP

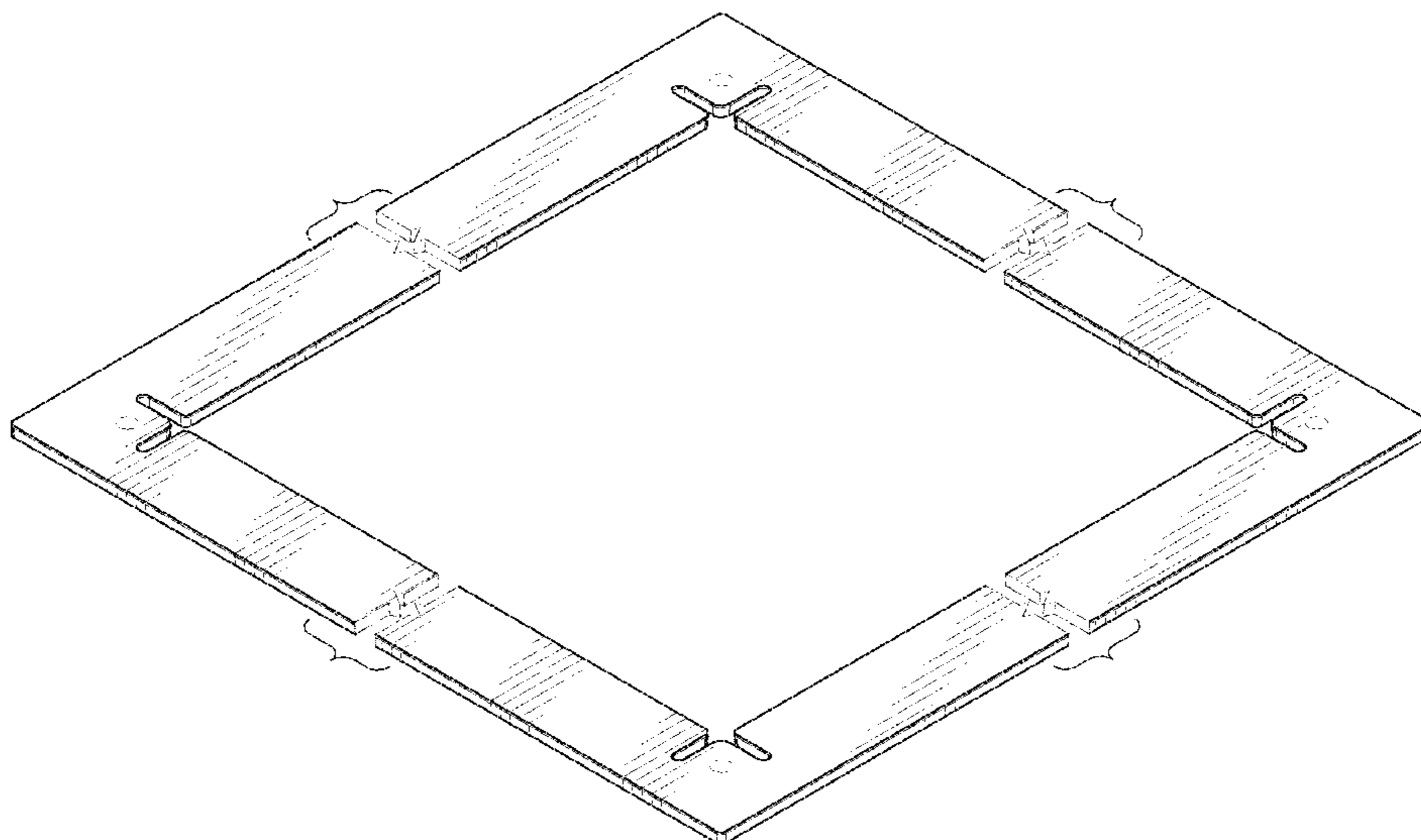
(57) **CLAIM**

The ornamental design for a quilt ruler, as shown and
described.

DESCRIPTION

FIG. 1 is a front perspective view;
FIG. 2 is a front view;
FIG. 3 is a top view;
FIG. 4 is a bottom view;
FIG. 5 is a left side view;
FIG. 6 is a right side view;
FIG. 7 is an exploded view shown in an environment of
nesting rulers;
FIG. 8 is a front perspective view shown in an environment
of nested rulers;
FIG. 9 is a front view shown in an environment of nested
rulers;
FIG. 10 is a top view shown in an environment of nested
rulers;
FIG. 11 is a bottom view shown in an environment of nested
rulers;
FIG. 12 is a left side view shown in an environment of
nested rulers;
FIG. 13 is a right side view shown in an environment of
nested rulers; and,
FIG. 14 is a perspective view of a third embodiment.
The broken lines depict portions of environment that form
no part of the claimed design.

1 Claim, 10 Drawing Sheets



(56)

References Cited

U.S. PATENT DOCUMENTS

D850,948 S * 6/2019 Zhan E04G 21/22
D10/71

* cited by examiner

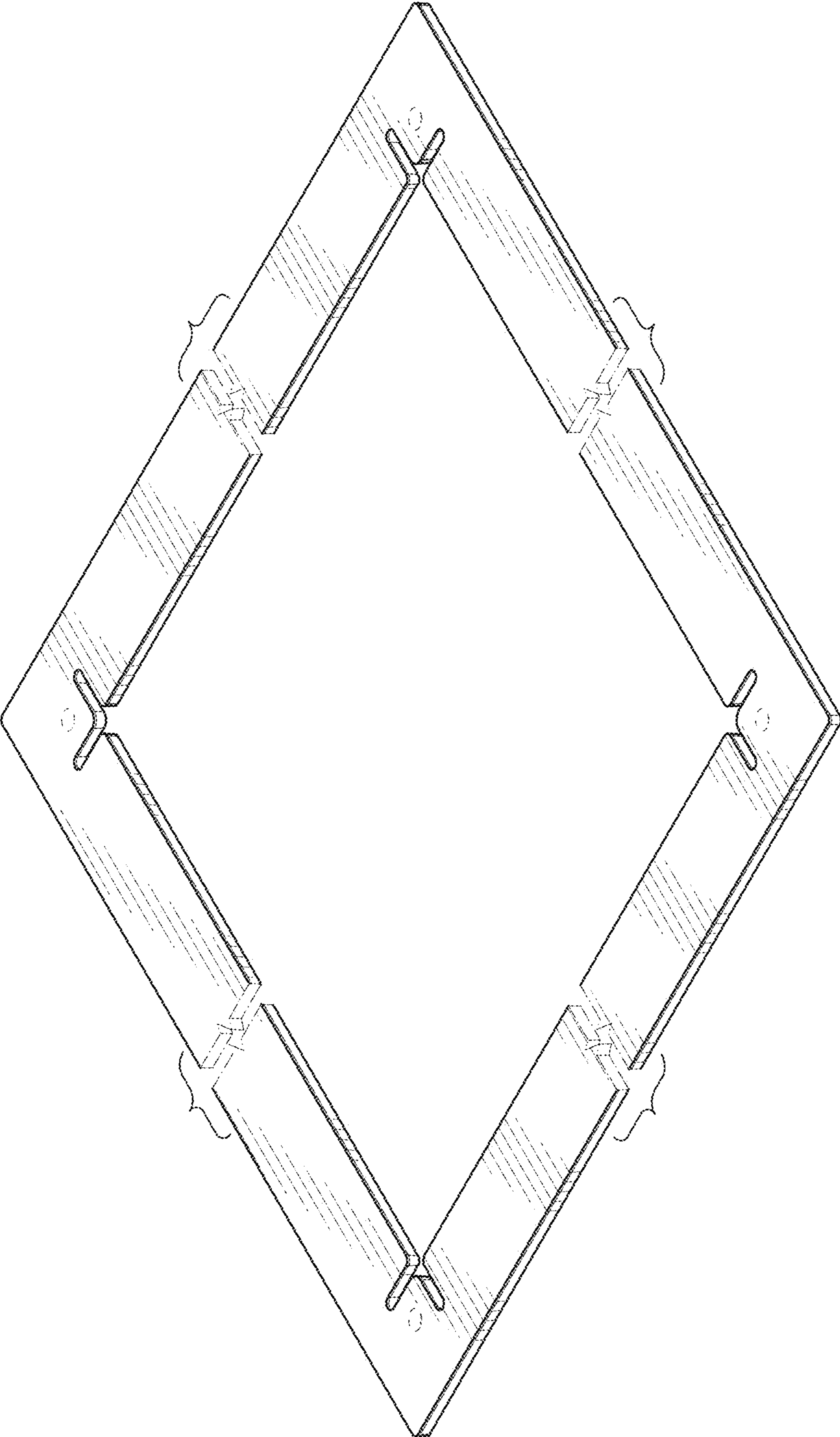


FIG. 1

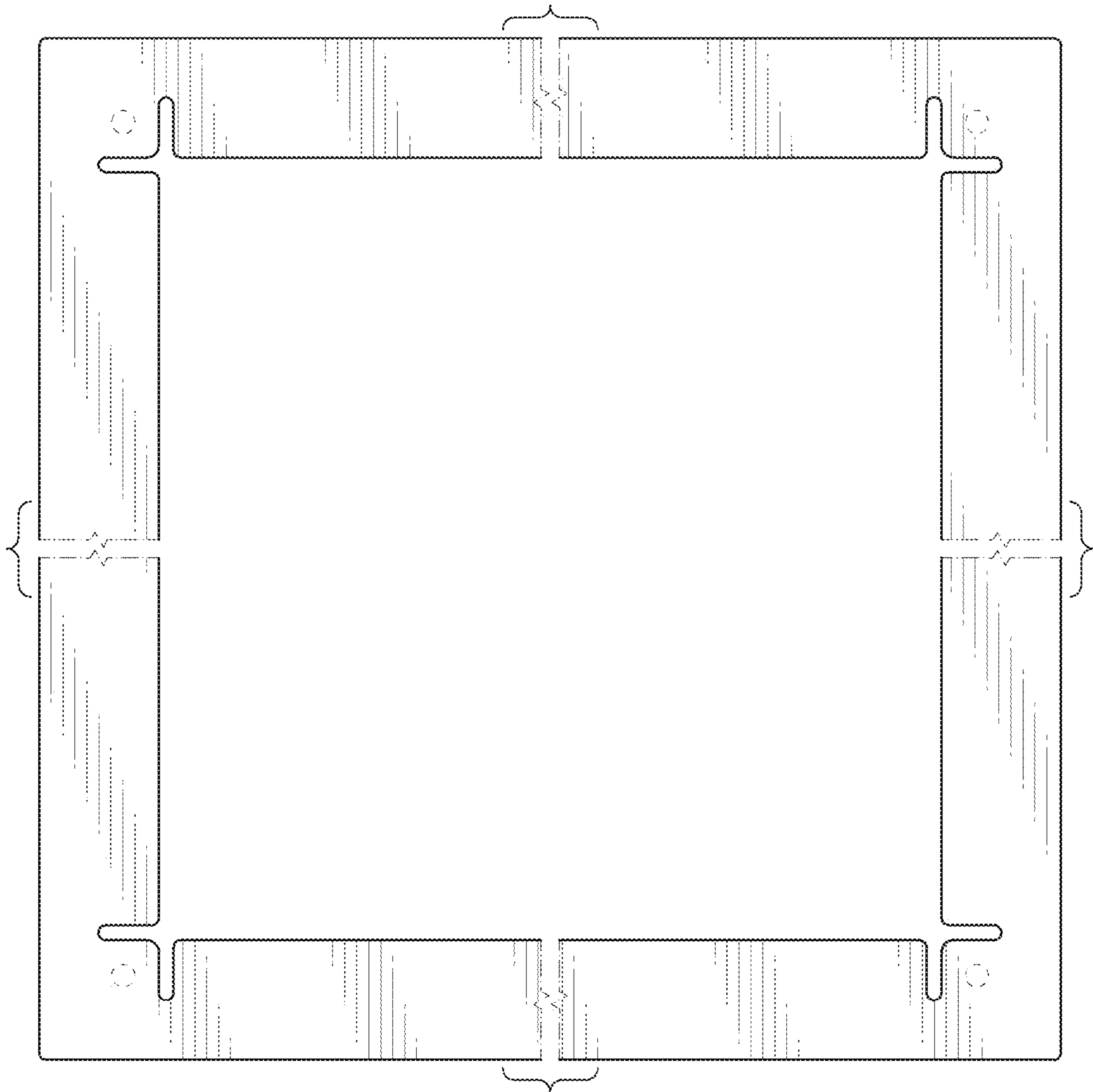


FIG. 2

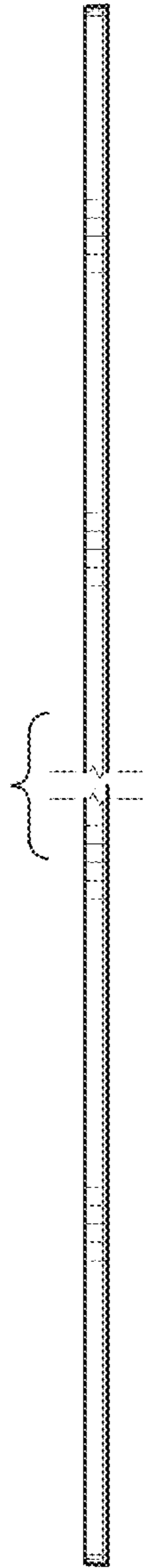


FIG. 3

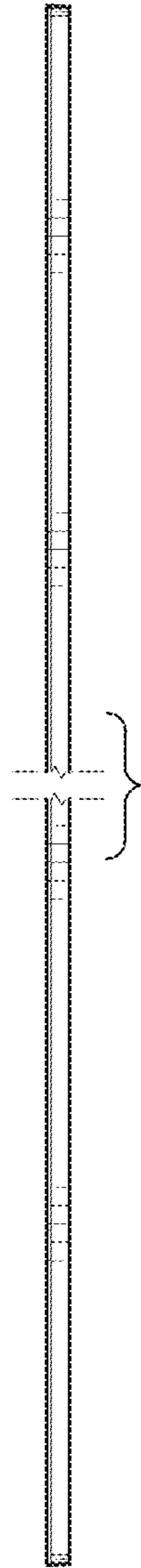
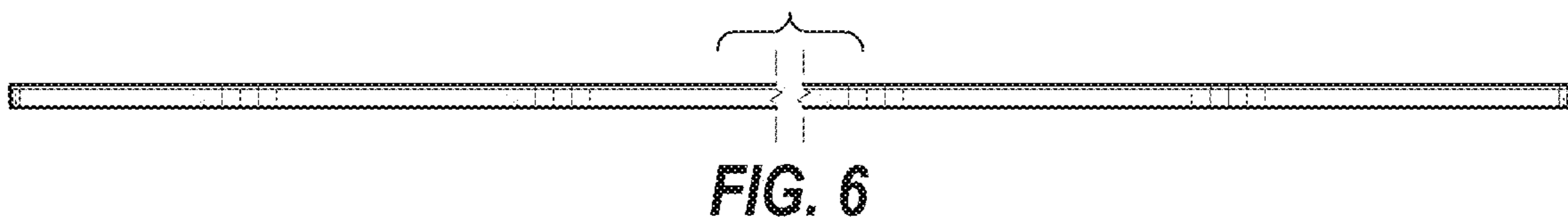
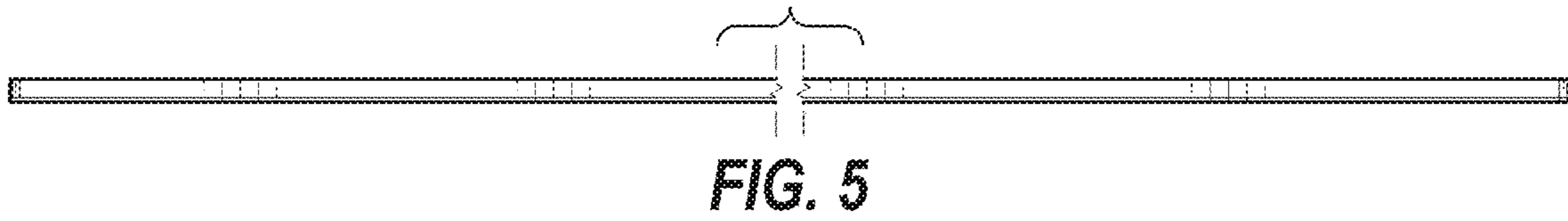


FIG. 4



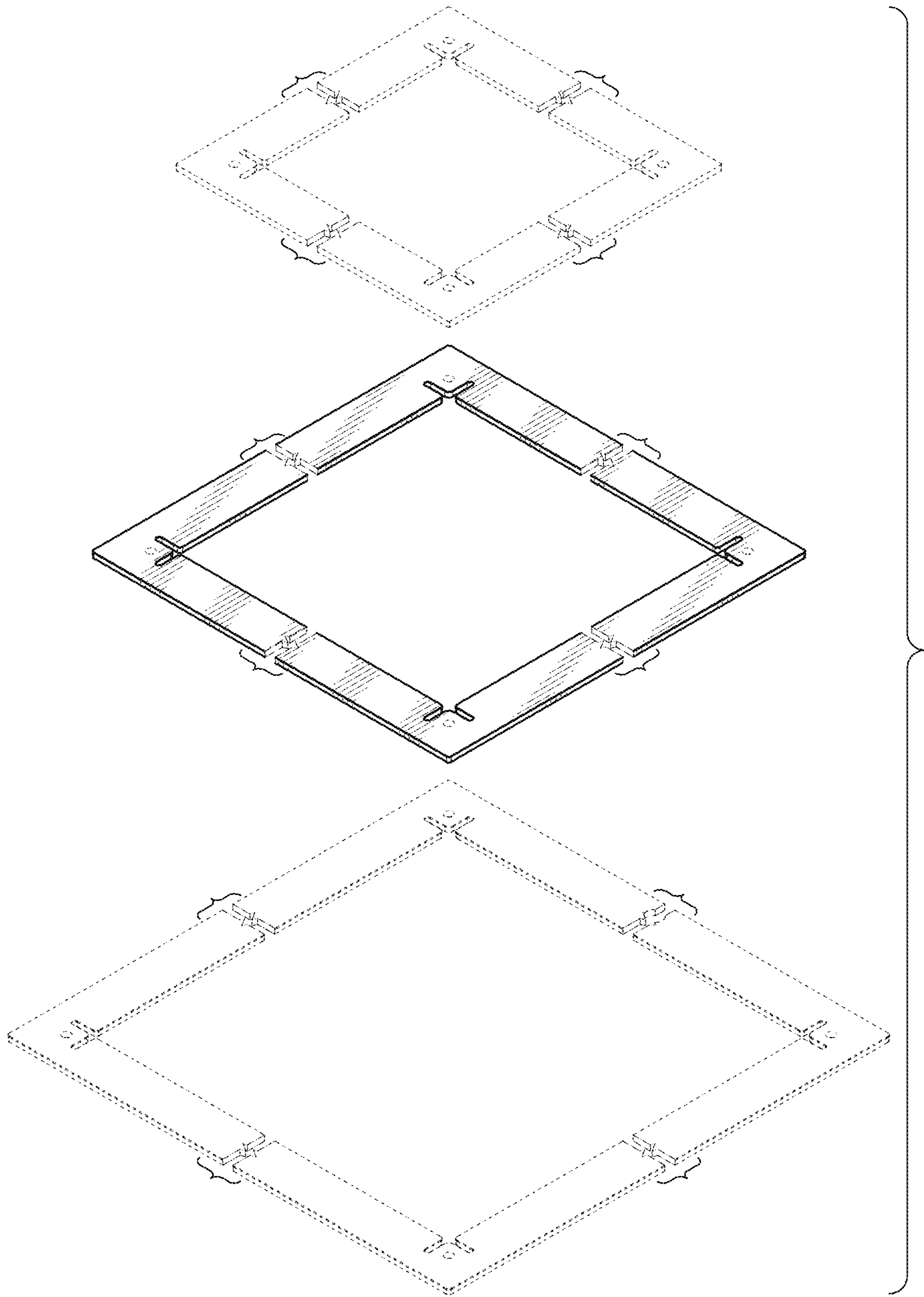


FIG. 7

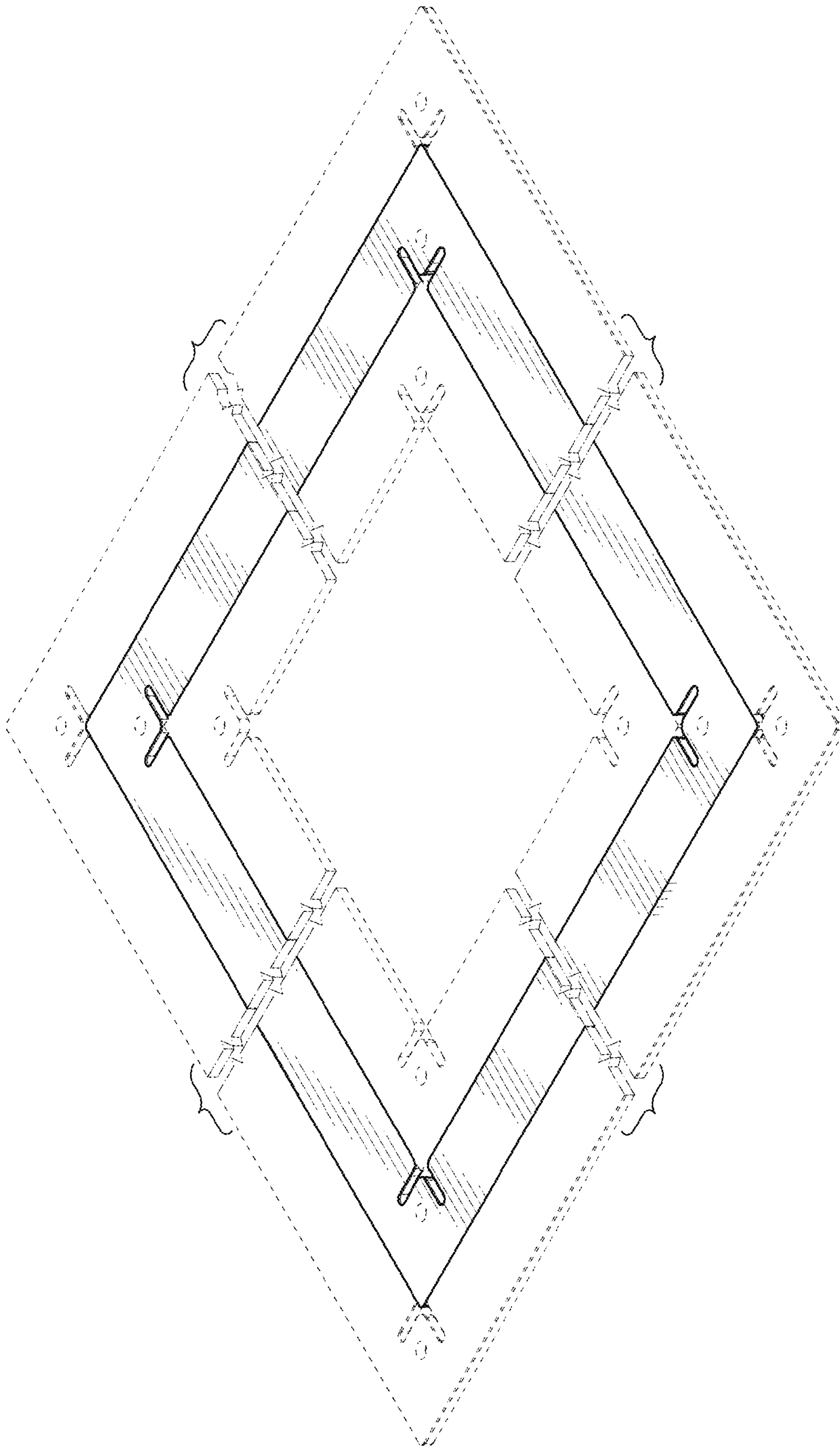


FIG. 8

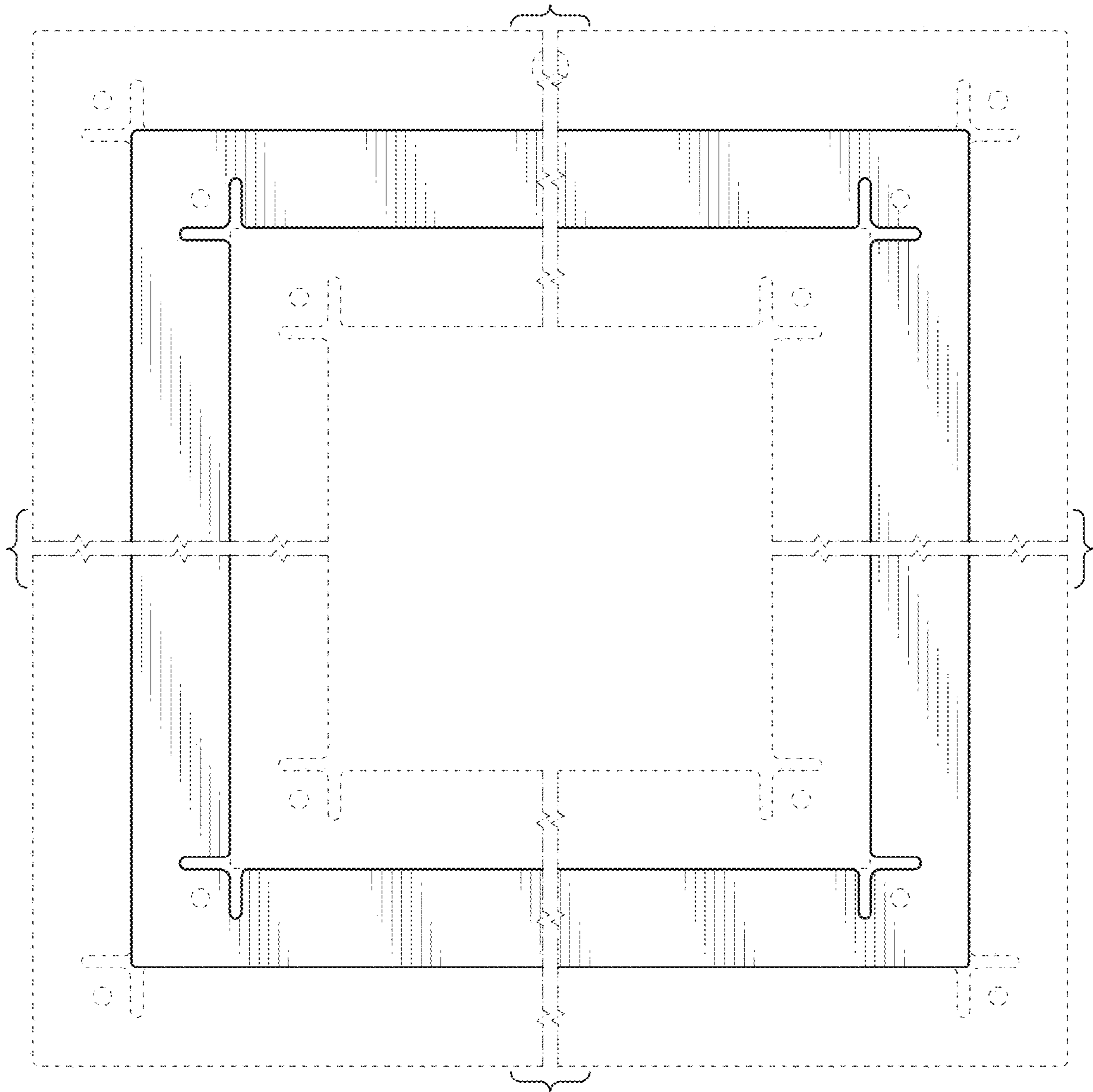


FIG. 9

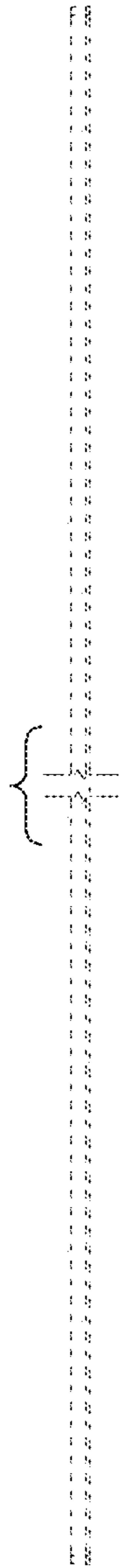


FIG. 10

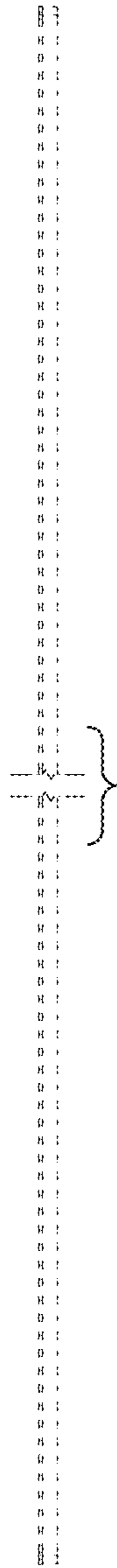


FIG. 11

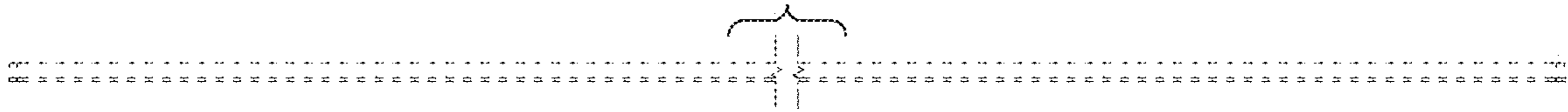


FIG. 12

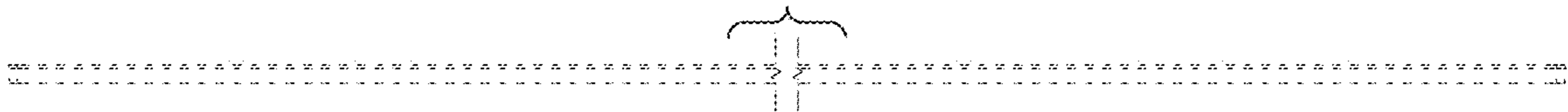


FIG. 13

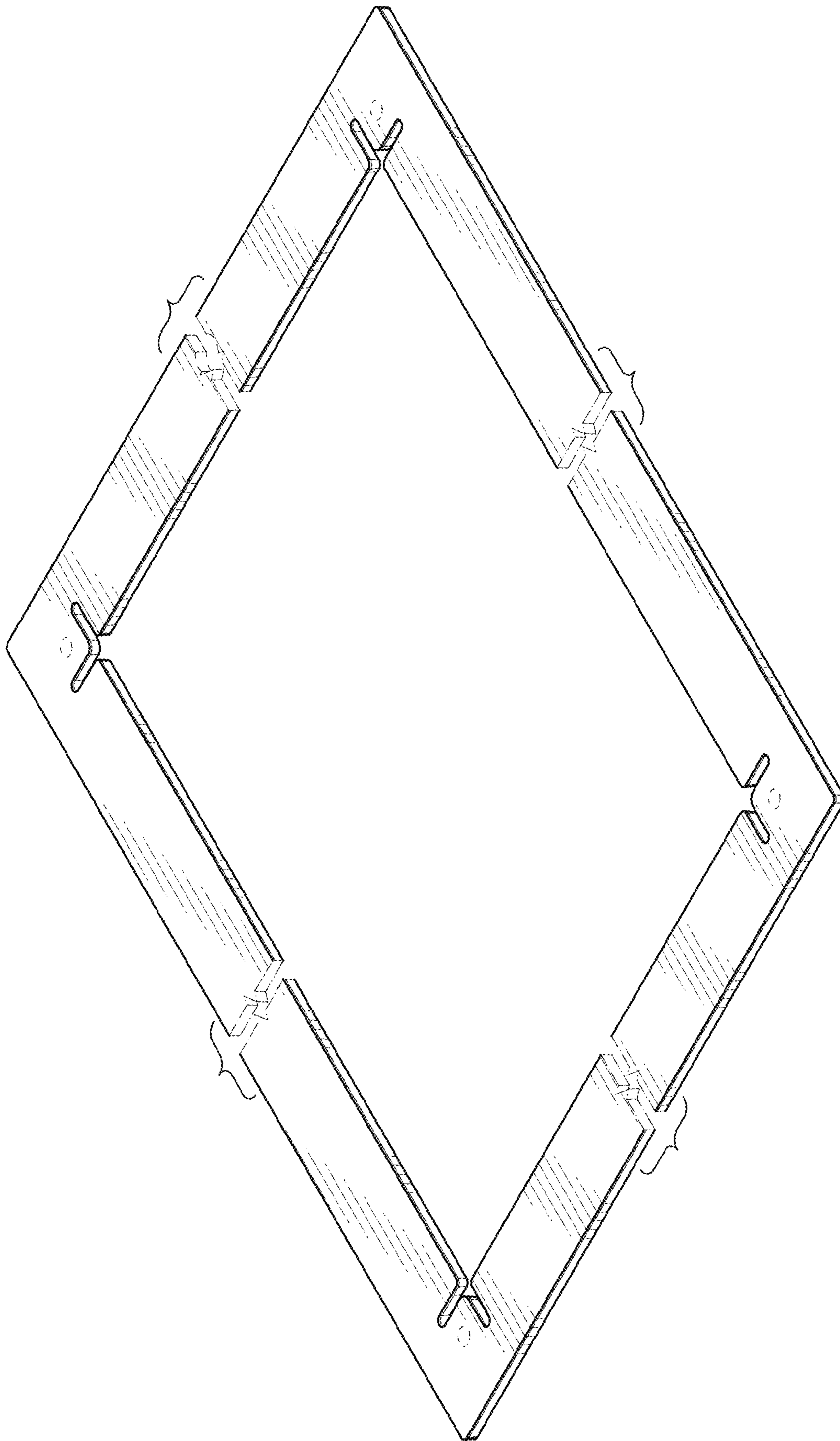


FIG. 14