



US00D874950S

(12) **United States Design Patent** (10) **Patent No.:** **US D874,950 S**
Gentle et al. (45) **Date of Patent:** **** Feb. 11, 2020**

(54) **WALL MOUNT TOUCH SCREEN CONTROLLER**
(71) Applicant: **RGB Systems, Inc.**, Anaheim, CA (US)
(72) Inventors: **Kate N. Gentle**, Anaheim, CA (US); **Deborah M. Hinzman**, Anaheim, CA (US); **David H. Libman**, Anaheim, CA (US); **Andrew P. Belk**, Anaheim, CA (US)
(73) Assignee: **RGB Systems, Inc.**, Anaheim, CA (US)
(**) Term: **15 Years**
(21) Appl. No.: **29/681,752**
(22) Filed: **Feb. 27, 2019**

Related U.S. Application Data

(62) Division of application No. 29/629,985, filed on Dec. 18, 2017, now Pat. No. Des. 854,429.
(51) **LOC (12) Cl.** **10-04**
(52) **U.S. Cl.**
USPC **D10/50**; D13/162
(58) **Field of Classification Search**
USPC D10/49, 50, 103; D13/162, 168; D14/126, 336, 371, 374, 389; 341/12; 345/104, 156, 168, 173-178, 905; 348/180, 184, 325, 739, 790-794, 836; 349/1, 2, 11, 12, 58-60
CPC . B60C 23/0408; B60C 23/0494; G01L 7/043; G01L 7/00-7/24; G01L 13/00-13/06; G01L 15/00; G01L 17/00-17/005; G01L 19/00-19/16; G01L 23/00-23/32; G01L 27/00-23/02; G05D 16/00-16/2093; G05D 7/00-7/0694; G05D 11/00-11/16; G05D 13/00-13/66; G05D 23/00-23/32; G05D 23/01; G05D 23/12; G05D 23/275; G05D 23/1902; G05D 23/1904; G05D 23/27502; G05D 23/27503;

(Continued)

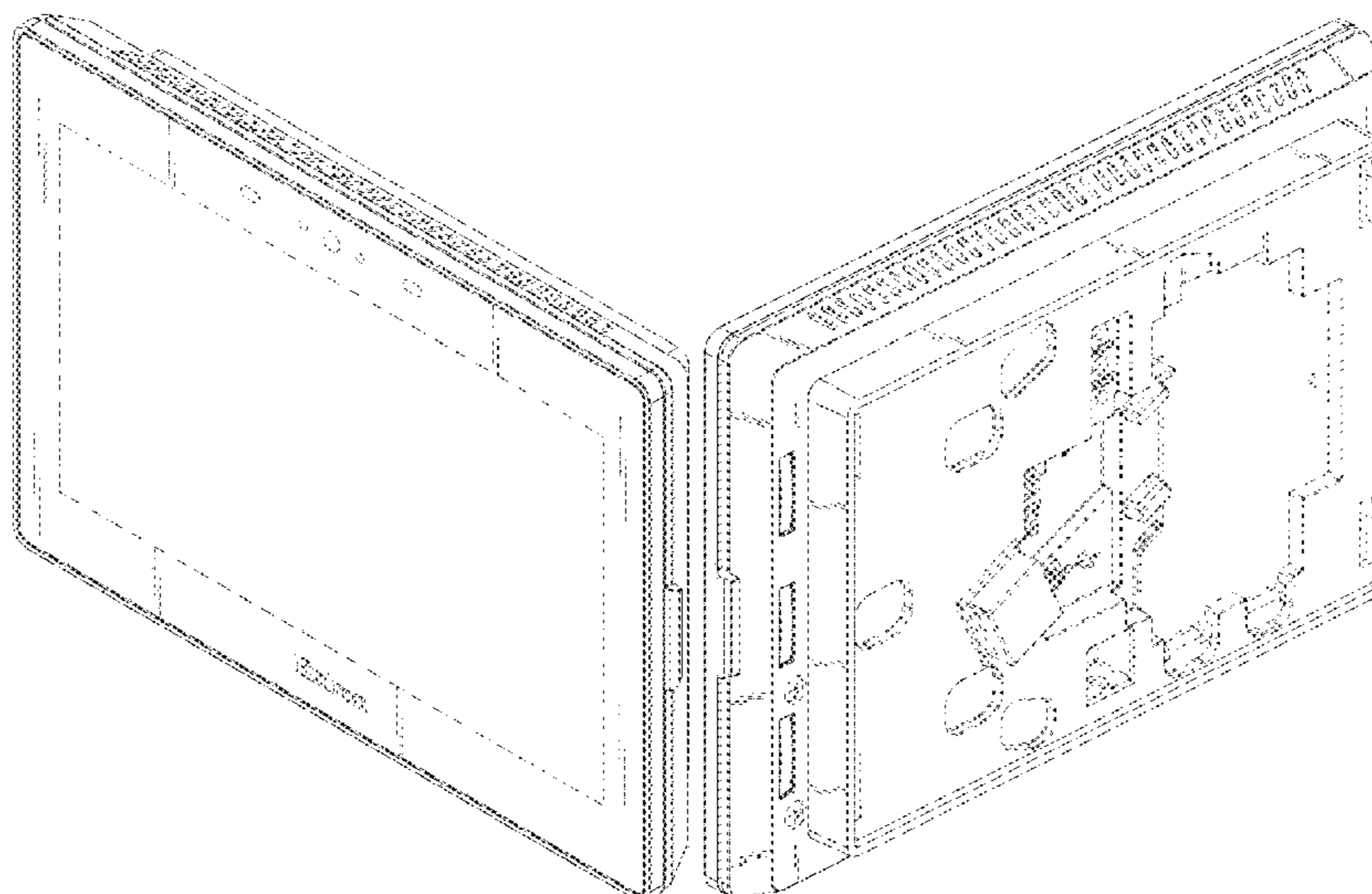
(56) **References Cited**
U.S. PATENT DOCUMENTS
D692,403 S * 10/2013 Takami D14/126
D727,271 S * 4/2015 Shi D13/162
(Continued)
Primary Examiner — Antoine Duval Davis
(74) *Attorney, Agent, or Firm* — Knobbe, Martens, Olson & Bear LLP

(57) **CLAIM**
The ornamental design for a wall mount touch screen controller, as shown and described.

DESCRIPTION

FIG. 1 is a front perspective view of a wall mount touch screen controller embodying our new design, according to one embodiment;
FIG. 2 is a rear perspective view thereof;
FIG. 3 is a front plan view thereof;
FIG. 4 is a rear plan view thereof;
FIG. 5 is a top plan view thereof;
FIG. 6 is a bottom plan view thereof;
FIG. 7 is a left side elevational view thereof; and
FIG. 8 is a right side elevational view thereof.
FIG. 9 is a front perspective view of a wall mount touch screen controller embodying our new design, according to another embodiment;
FIG. 10 is a rear perspective view thereof;
FIG. 11 is a front plan view thereof;
FIG. 12 is a rear plan view thereof;
FIG. 13 is a top plan view thereof;
FIG. 14 is a bottom plan view thereof;
FIG. 15 is a left side elevational view thereof; and,
FIG. 16 is a right side elevational view thereof.
The broken lines illustrate portions of the wall mount touch screen controller that form no part of the claimed design.

1 Claim, 12 Drawing Sheets



(58) **Field of Classification Search**

CPC G05D 23/1919; G05D 23/19; G05D 23/2723; F23N 5/20; F23N 5/203; F23N 5/206; F23N 5/18; F23N 5/184; F23N 5/187; F23N 5/22; F23N 2025/12; F23N 2041/02; F24F 11/00; F24F 11/0012; F24F 11/0009; F24F 11/001; F24F 2011/0057; F24F 2011/0073; F24F 2011/0091; F24F 2011/0094; F24F 2011/0068; F24F 2011/0012; F24F 2011/0015; F24F 2011/0017; F21V 11/16; F21V 33/10; G05B 19/042; G09F 13/22; G09F 9/53; G06F 1/1684; G06F 1/30; G06F 3/0362; G06F 3/038; H05B 33/0854; H05B 37/0218; H05K 5/0017; H05K 5/0243; H05K 5/00; H05K 5/03; H04M 2250/12; H04M 2250/22

See application file for complete search history.

(56) **References Cited**

U.S. PATENT DOCUMENTS

D727,857 S * 4/2015 Acera D13/162
D805,047 S * 12/2017 Dry D14/126
D805,488 S * 12/2017 Dry D14/126
D826,228 S * 8/2018 Feng D14/374
D830,860 S * 10/2018 Berman D10/50
D837,786 S * 1/2019 Okumura D14/371
D842,857 S * 3/2019 Kimura D14/371

* cited by examiner

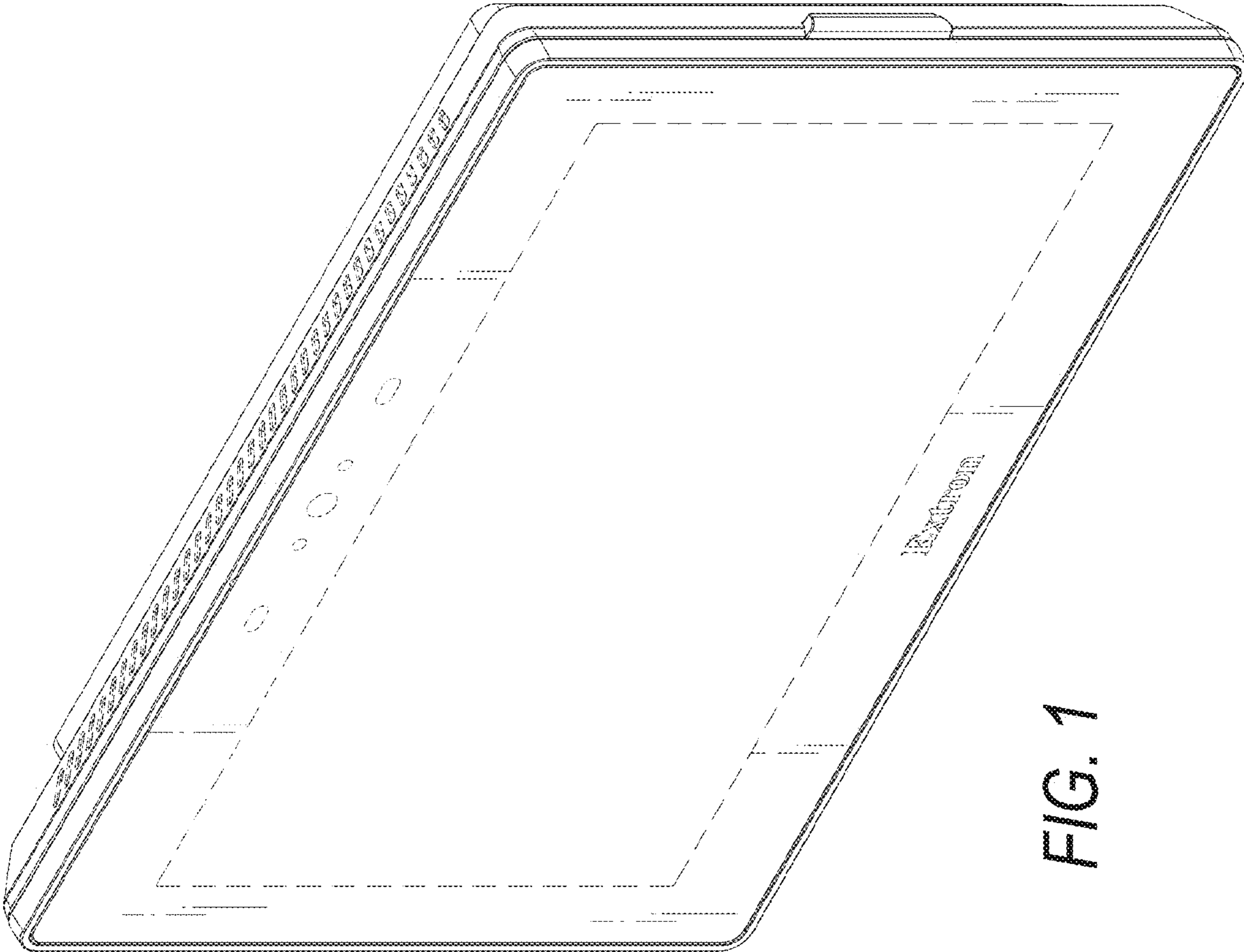


FIG. 1

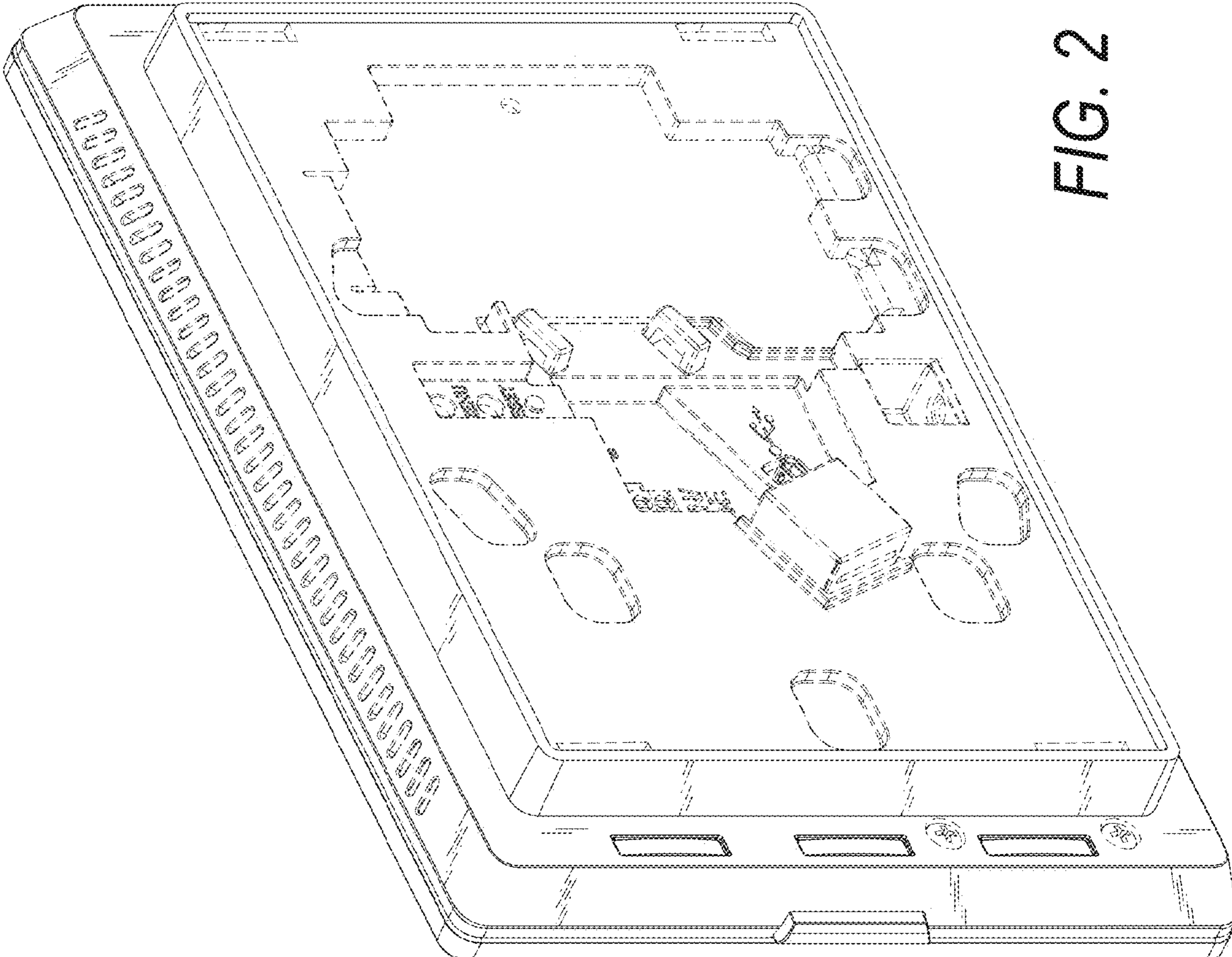


FIG. 2

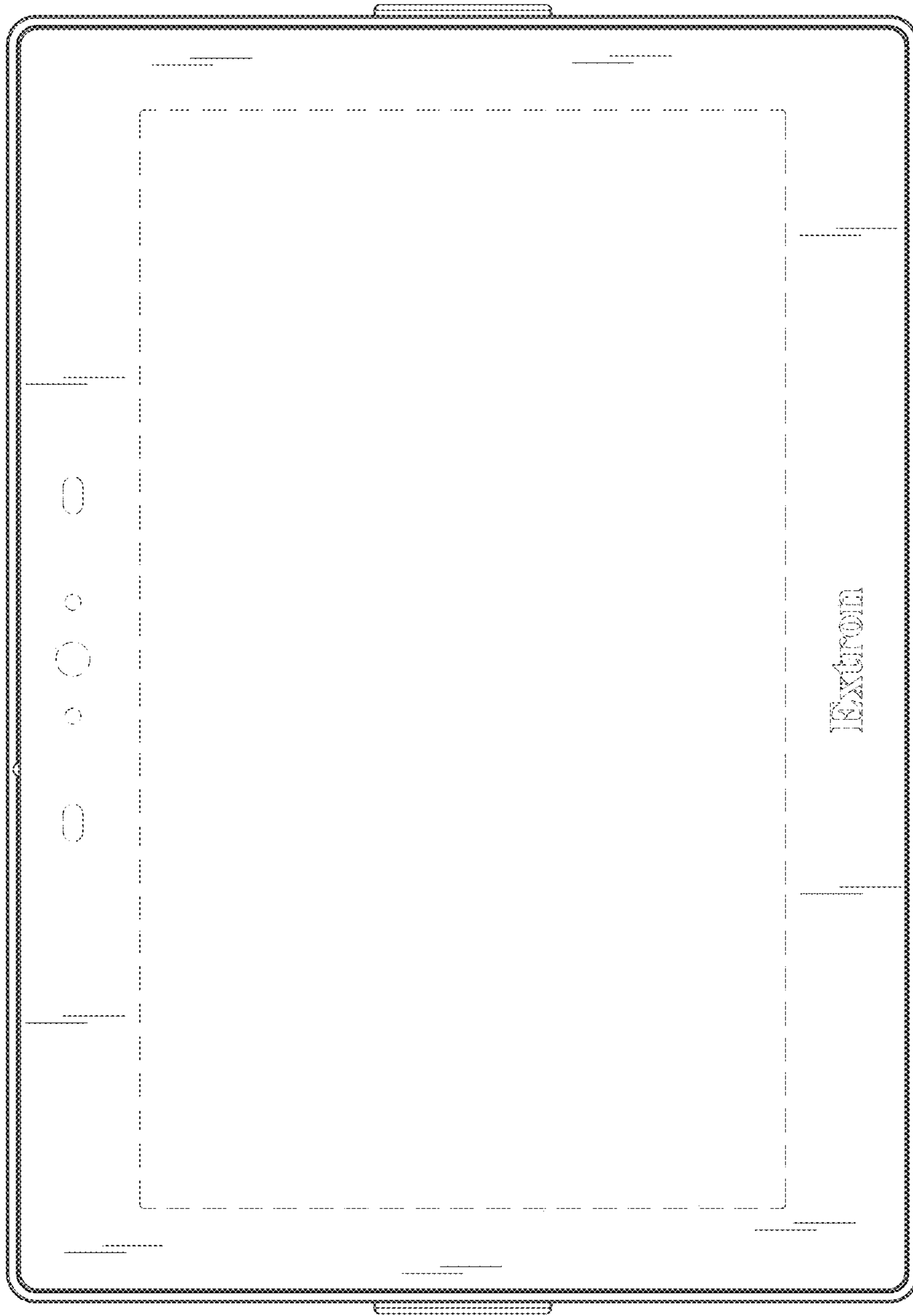


FIG. 3

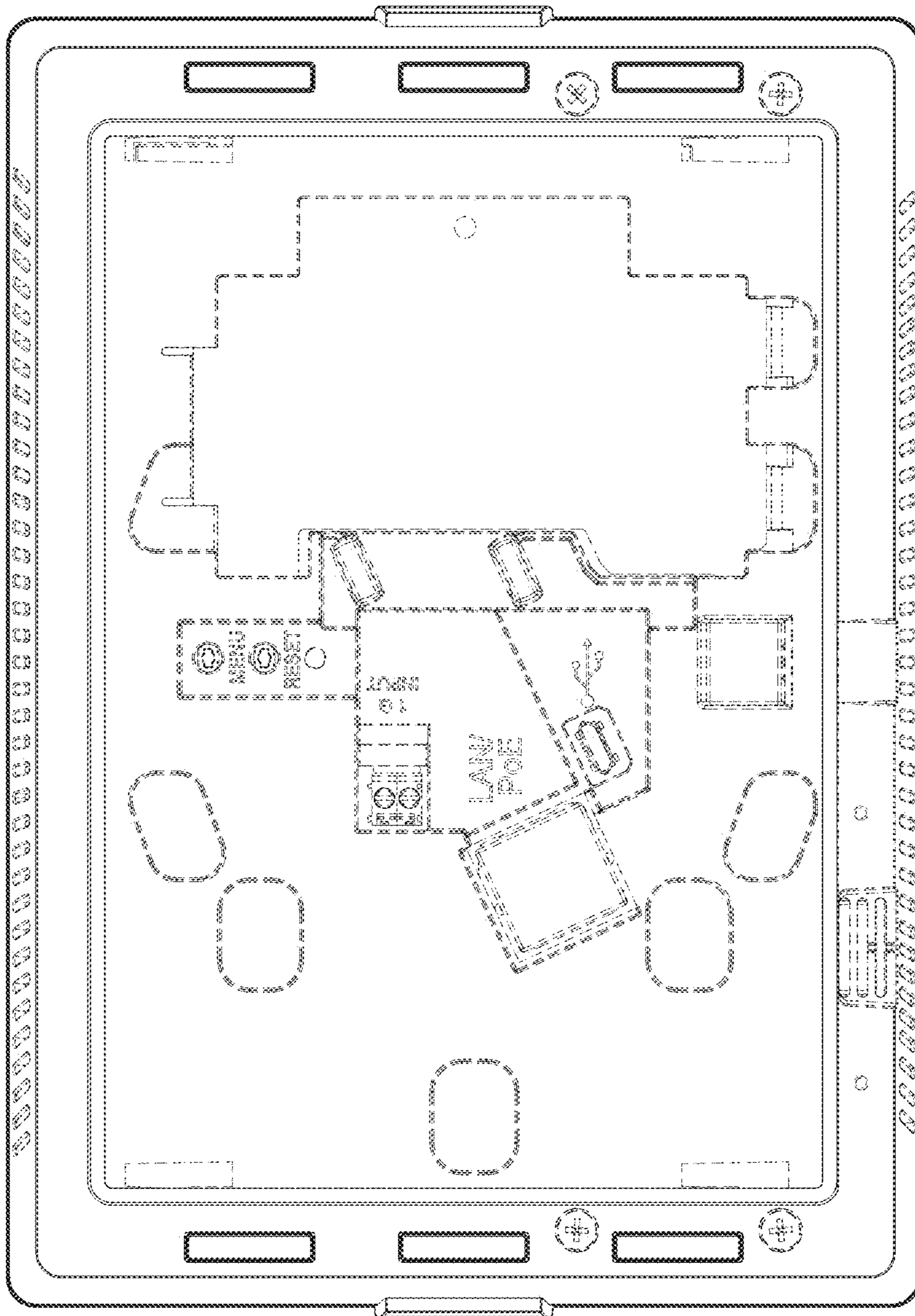


FIG. 4

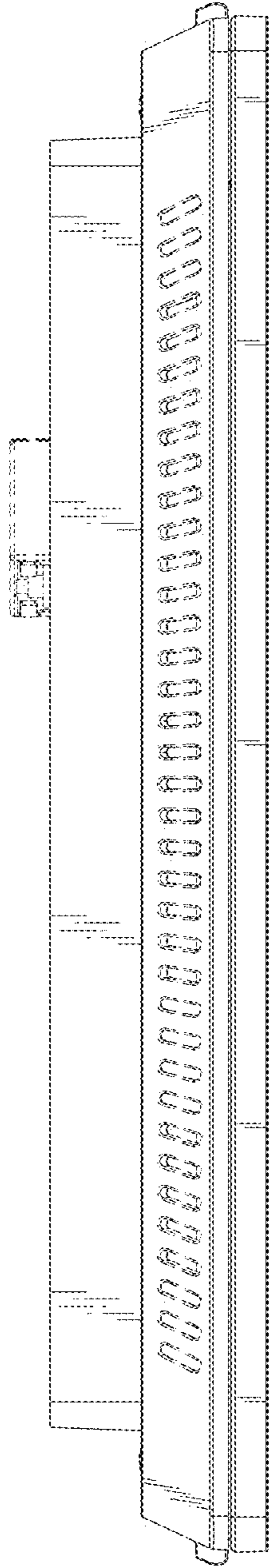


FIG. 5

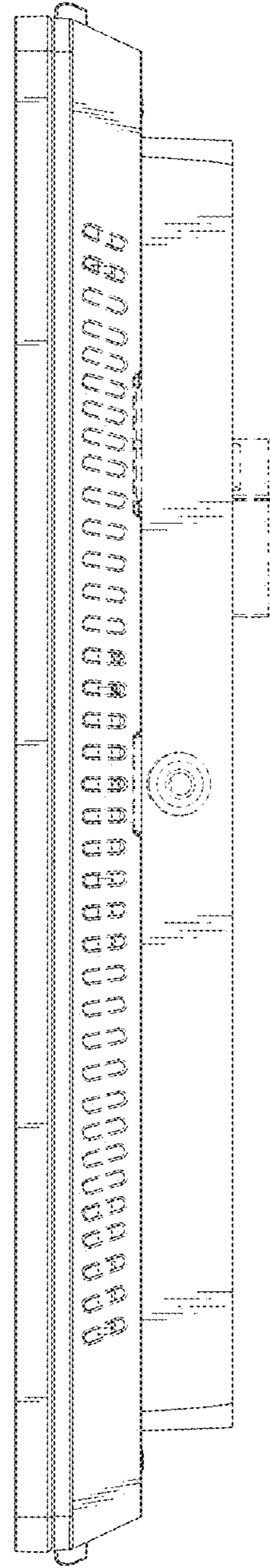


FIG. 6

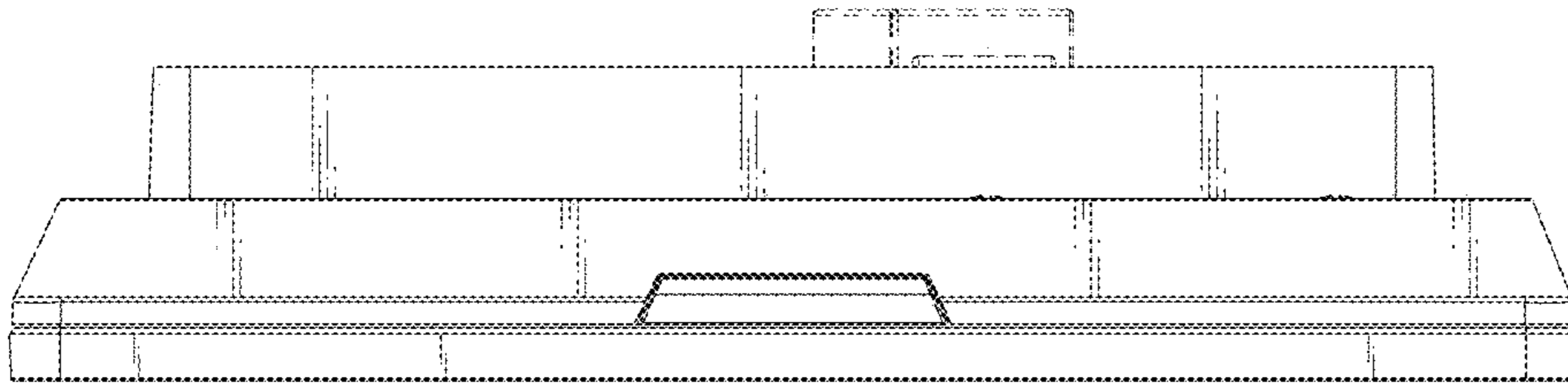


FIG. 8

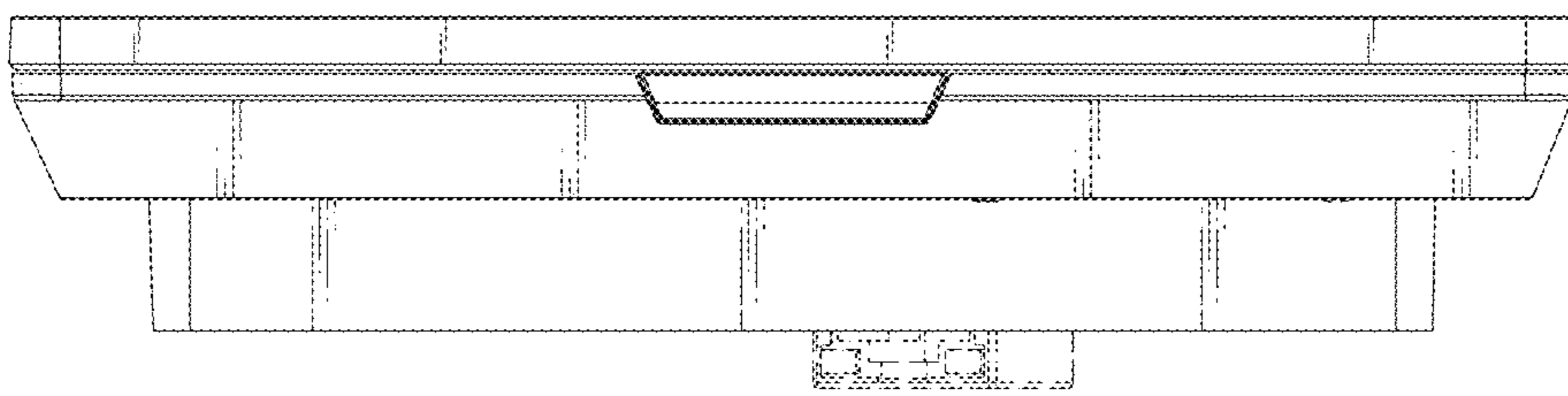


FIG. 7

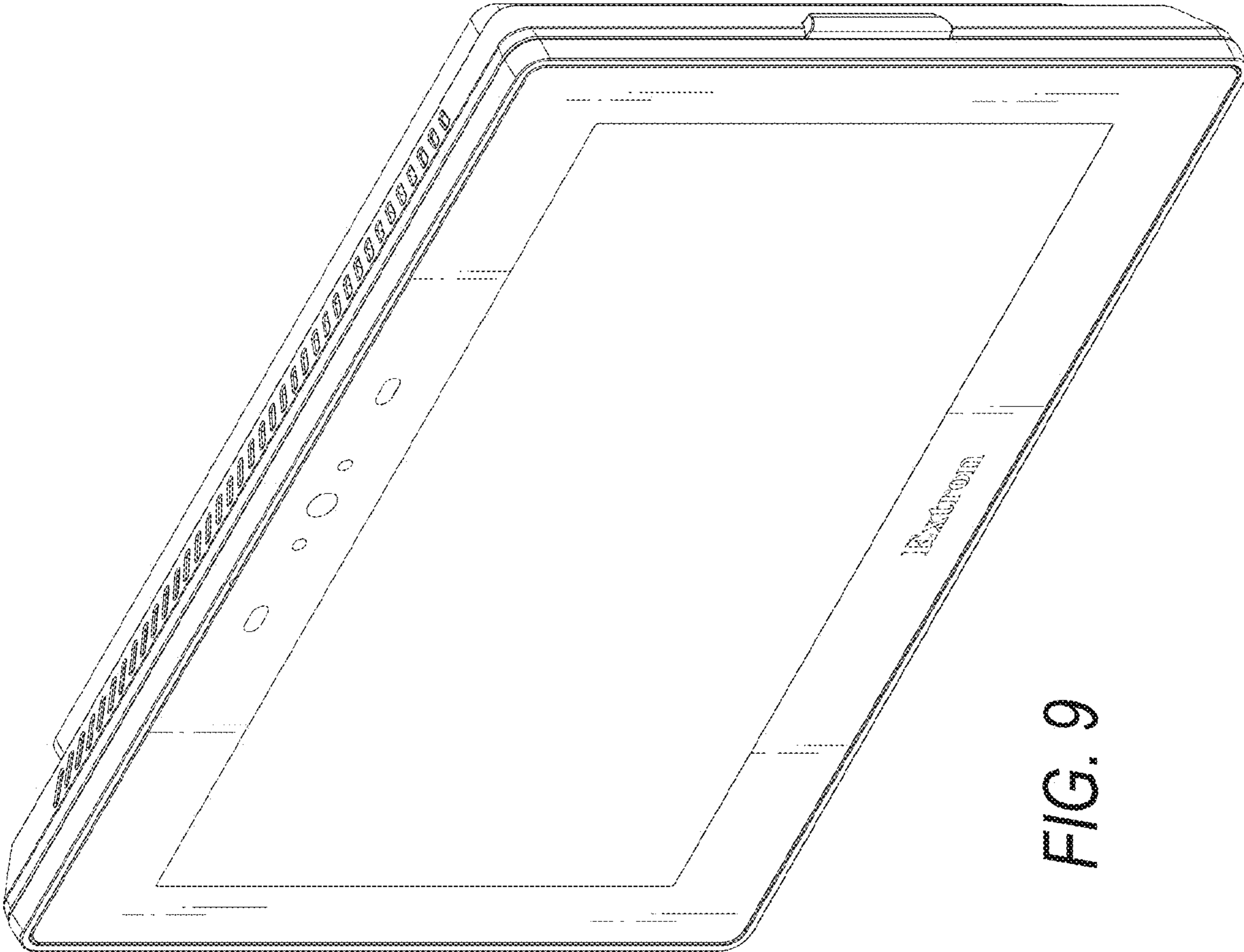


FIG. 9

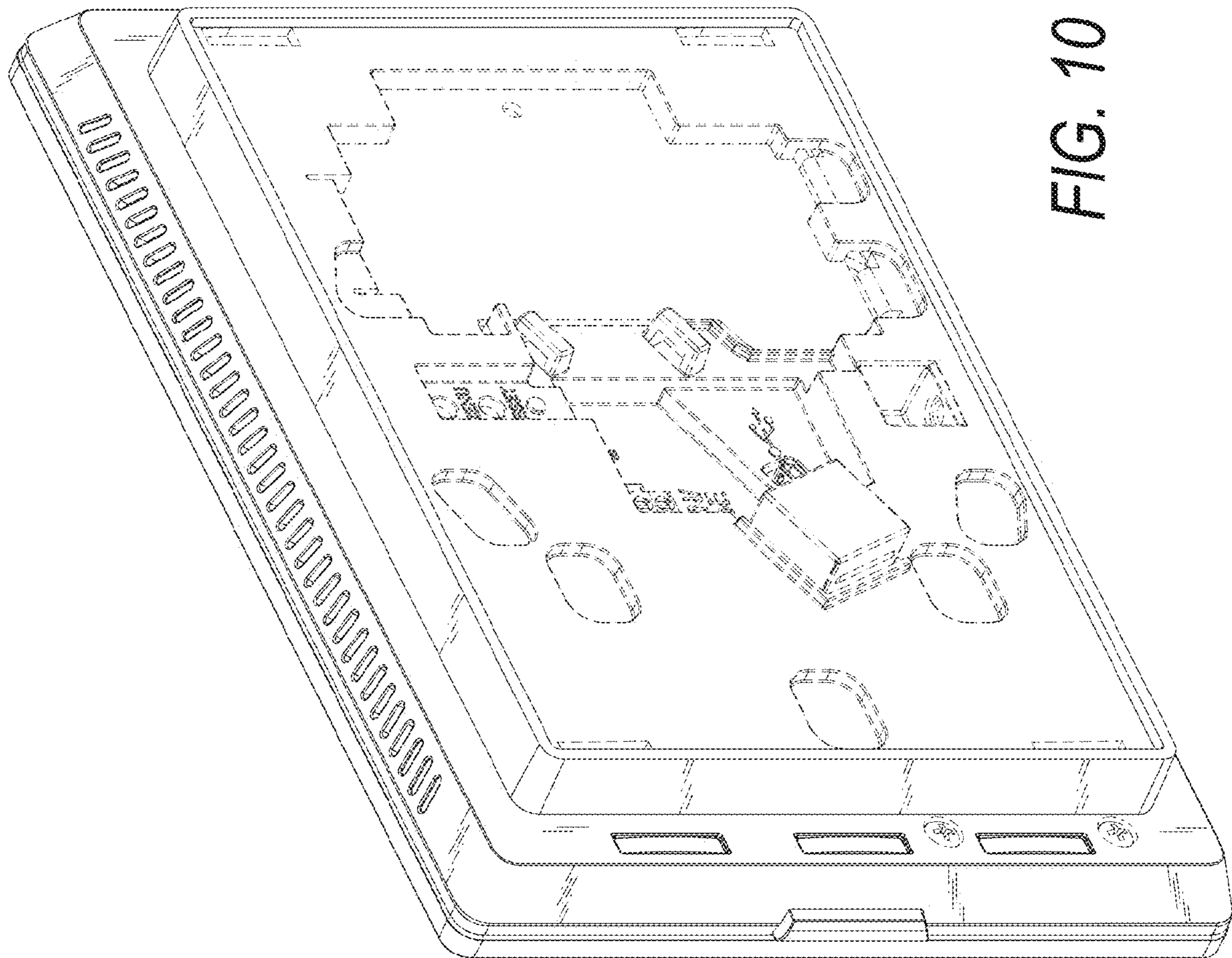


FIG. 10

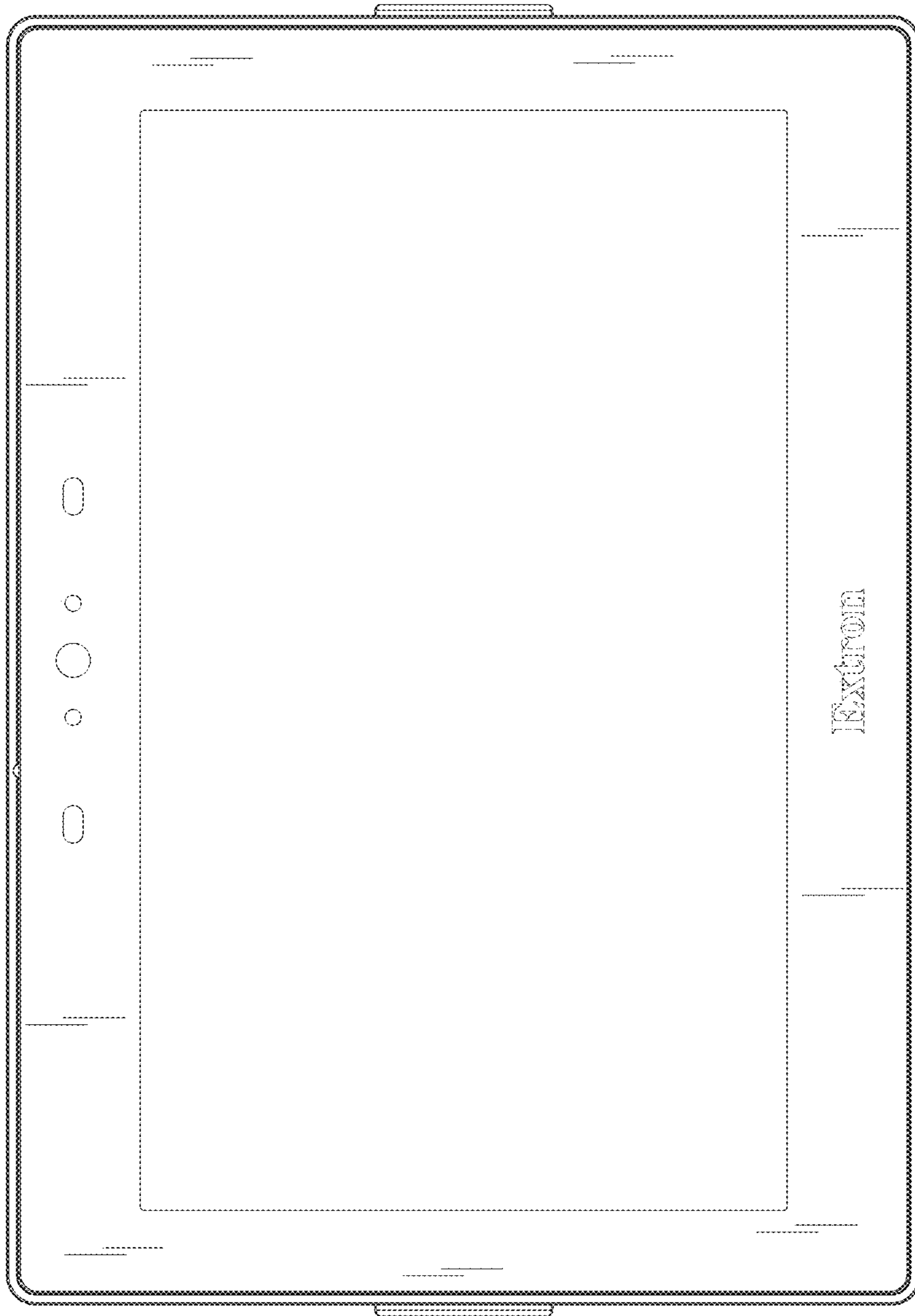


FIG. 11

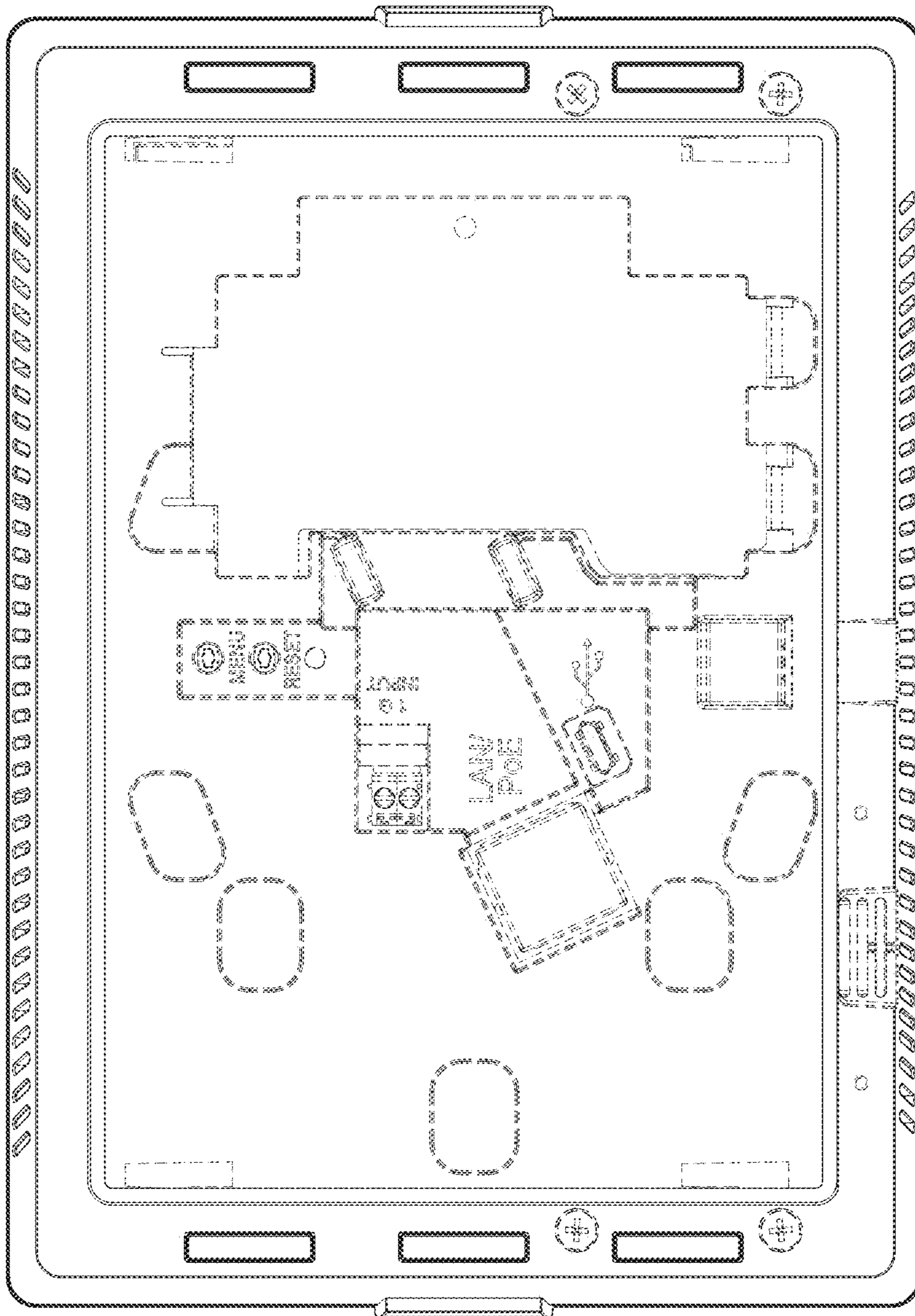


FIG. 12

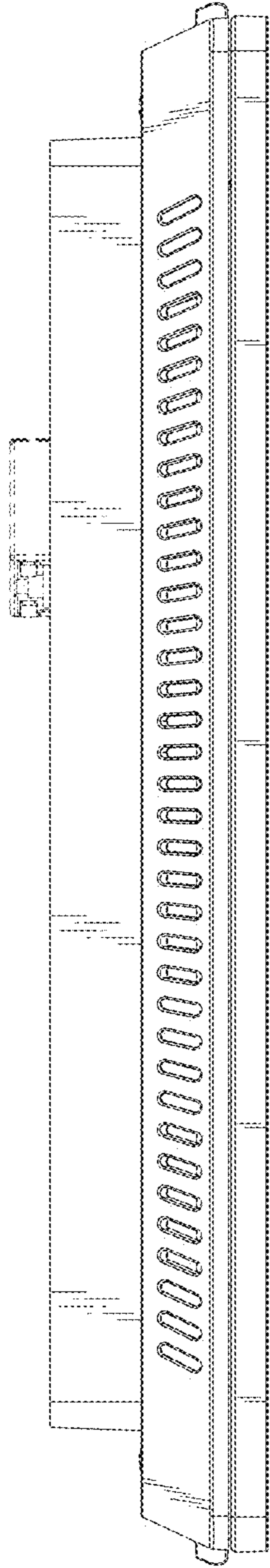


FIG. 13

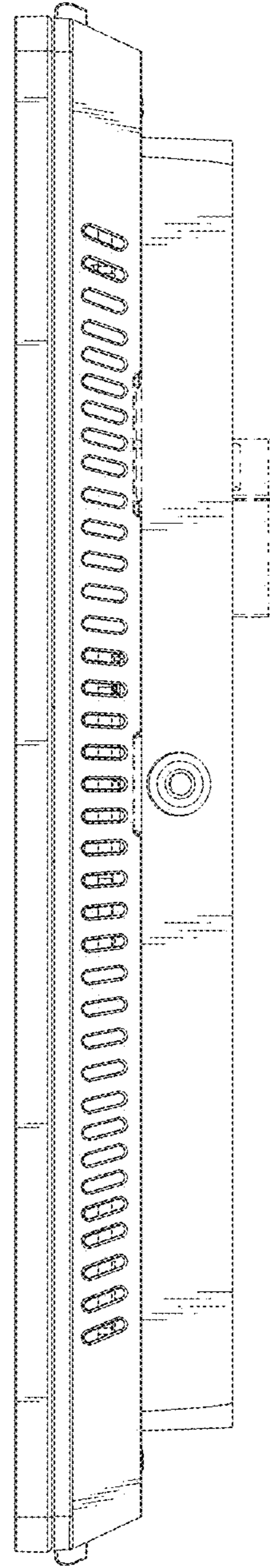


FIG. 14

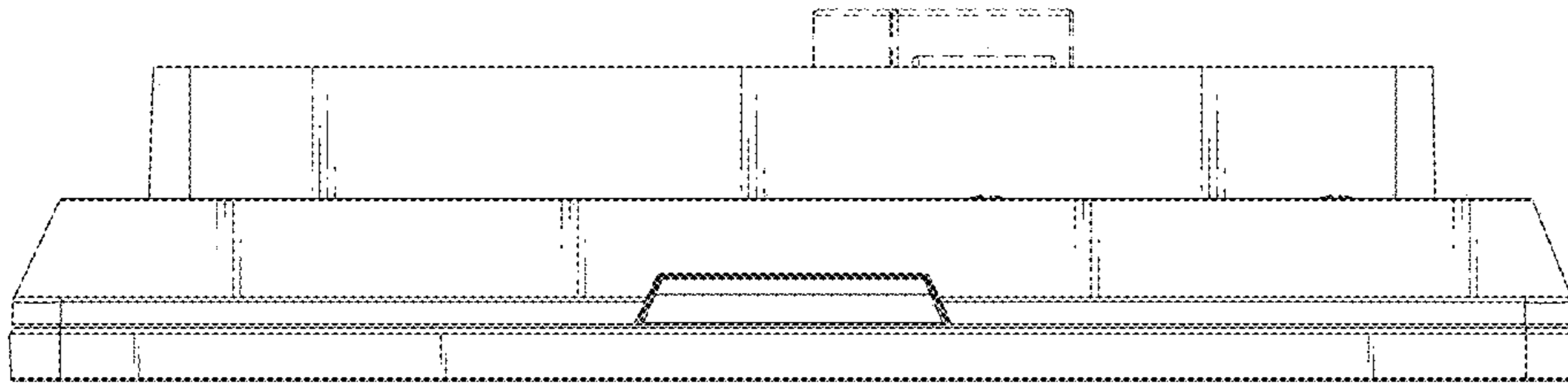


FIG. 16

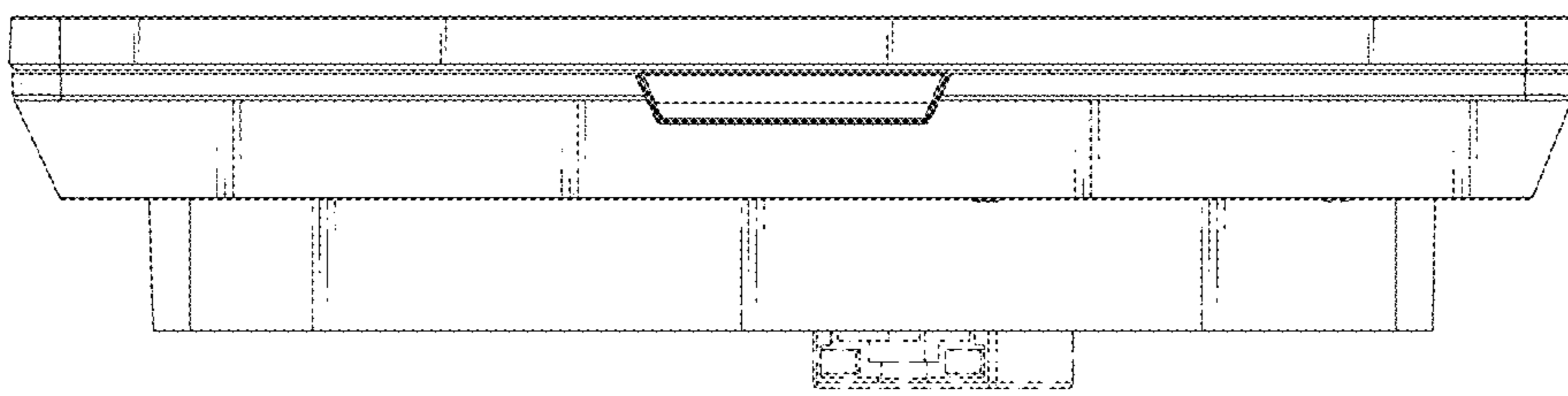


FIG. 15