



US00D874949S

(12) **United States Design Patent**  
**Kim**

(10) **Patent No.:** **US D874,949 S**

(45) **Date of Patent:** **\*\* Feb. 11, 2020**

(54) **PORTABLE ELECTRIC SCOREBOARD FOR VARIOUS SPORTS**

(71) Applicant: **Sung Jai Kim**, Gwangmyeong-si (KR)

(72) Inventor: **Sung Jai Kim**, Gwangmyeong-si (KR)

(\*\*) Term: **15 Years**

(21) Appl. No.: **29/617,529**

(22) Filed: **Sep. 14, 2017**

(51) **LOC (12) Cl.** ..... **21-01**

(52) **U.S. Cl.**

USPC ..... **D10/46.1**

(58) **Field of Classification Search**

USPC ..... D10/46.1, 15, 97, 125; D14/171, 172;  
340/323 R

CPC ..... A63B 71/0669; A63B 71/06

See application file for complete search history.

(56) **References Cited**

**U.S. PATENT DOCUMENTS**

D239,464 S *	4/1976	Imai	.....	D14/171
D254,601 S *	4/1980	Talesfore	.....	D10/15
D255,337 S *	6/1980	Pummer	.....	D10/125
D363,228 S *	10/1995	Healey	.....	D10/15
D475,635 S *	6/2003	Kiu	.....	D10/15
6,816,130 B1 *	11/2004	Shishido	.....	A63B 71/06 345/2.3
D615,422 S *	5/2010	Cowen	.....	D10/46.1
D636,279 S *	4/2011	Cowen	.....	D10/46.1
D845,149 S *	4/2019	Yu	.....	D10/15
D852,772 S *	7/2019	Zhang	.....	D14/171
2012/0256373 A1 *	10/2012	Tam	.....	A63B 71/0669 273/148 R
2018/0028895 A1 *	2/2018	Stanfield	.....	A63B 71/0669

**FOREIGN PATENT DOCUMENTS**

KR	10-2011-0105603	A	9/2011
KR	10-1229640	B1	2/2013
KR	20-0470344	Y1	12/2013
KR	10-2015-0109096	A	10/2015

**OTHER PUBLICATIONS**

Office Action issued by the Korean Intellectual Property Office for corresponding Korean Patent Application No. 10-2017-0032942, dated May 12, 2017.

\* cited by examiner

*Primary Examiner* — Brett Miller

(74) *Attorney, Agent, or Firm* — Myers Wolin, LLC

(57) **CLAIM**

The ornamental design for the portable electric scoreboard for various sports, as shown and described.

**DESCRIPTION**

FIG. 1 is a perspective view of the portable electric scoreboard for various sports,  
FIG. 2 is a front view thereof;  
FIG. 3 is a rear view thereof;  
FIG. 4 is a left side view thereof;  
FIG. 5 is a right side view thereof;  
FIG. 6 is a top plan view thereof; and,  
FIG. 7 is a bottom view thereof.

The broken lines depict portions of the portable electronic scoreboard that form no part of the claimed design.

**1 Claim, 7 Drawing Sheets**

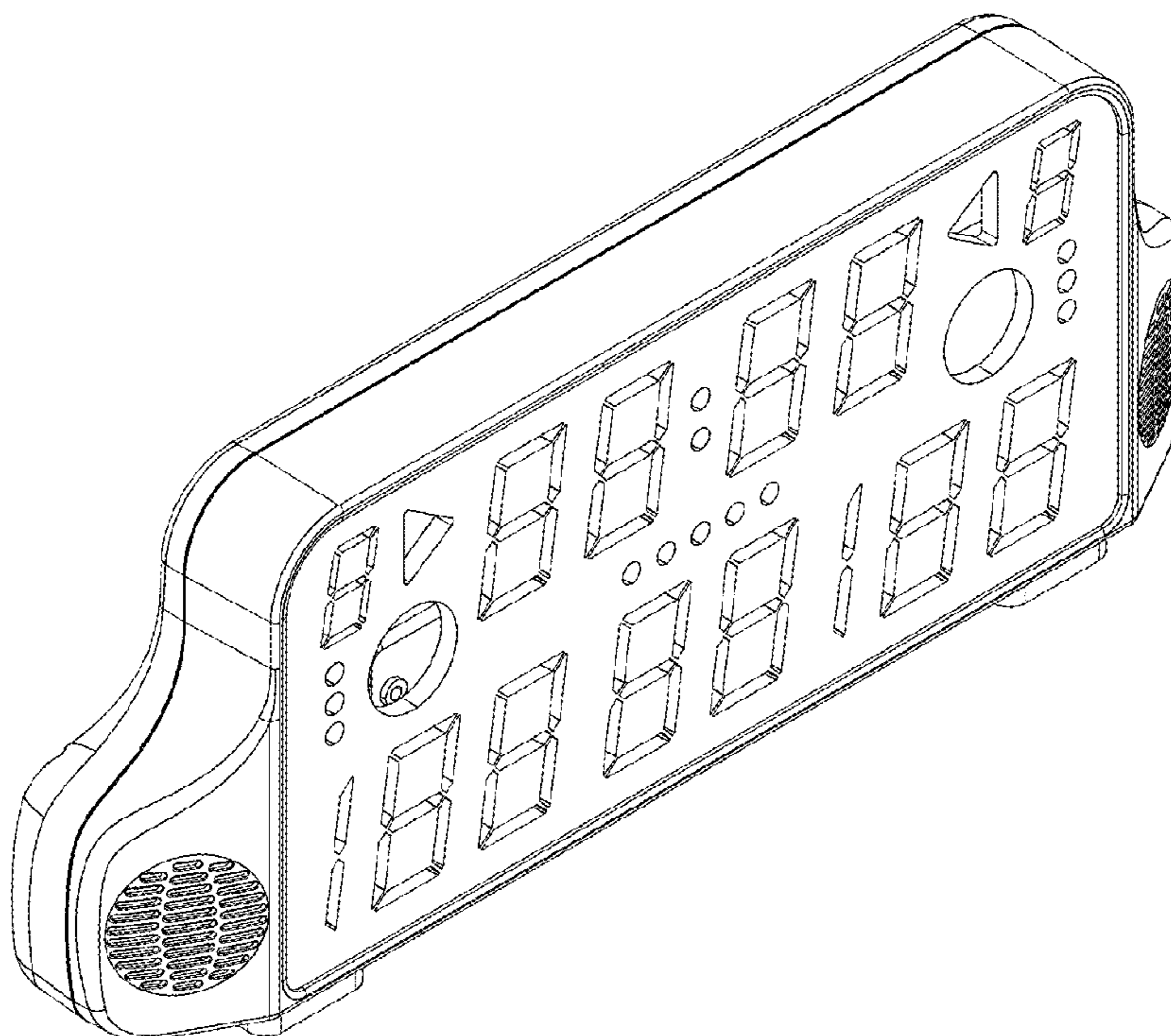


FIG. 1

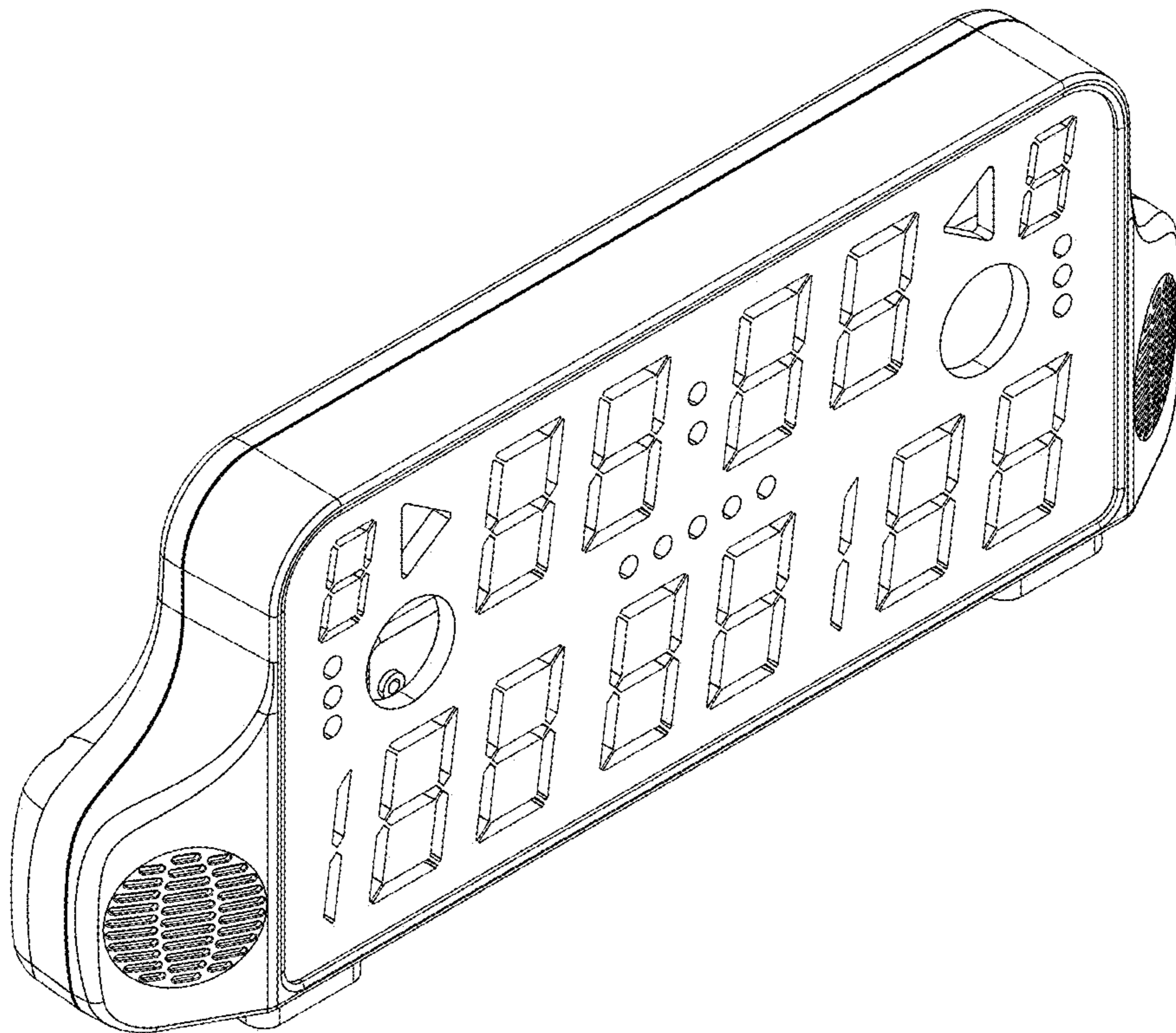


FIG. 2

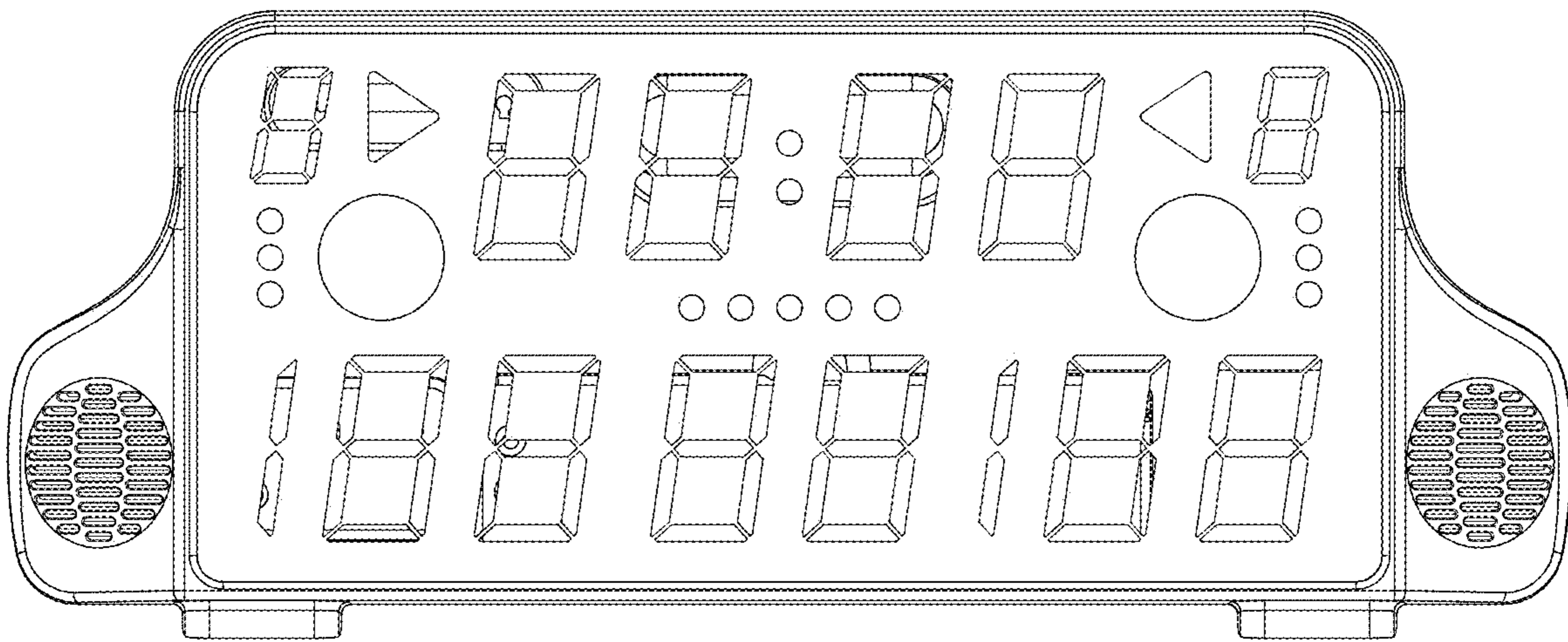


FIG. 3

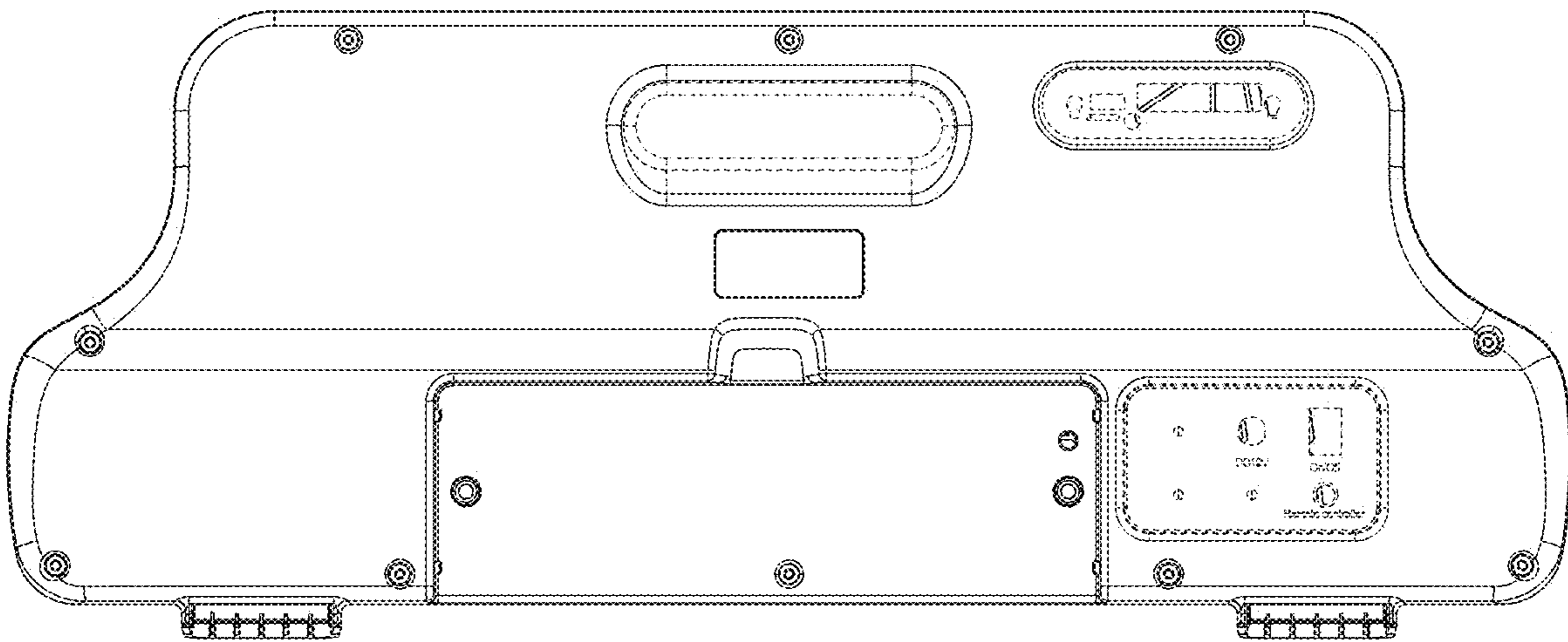


FIG. 4

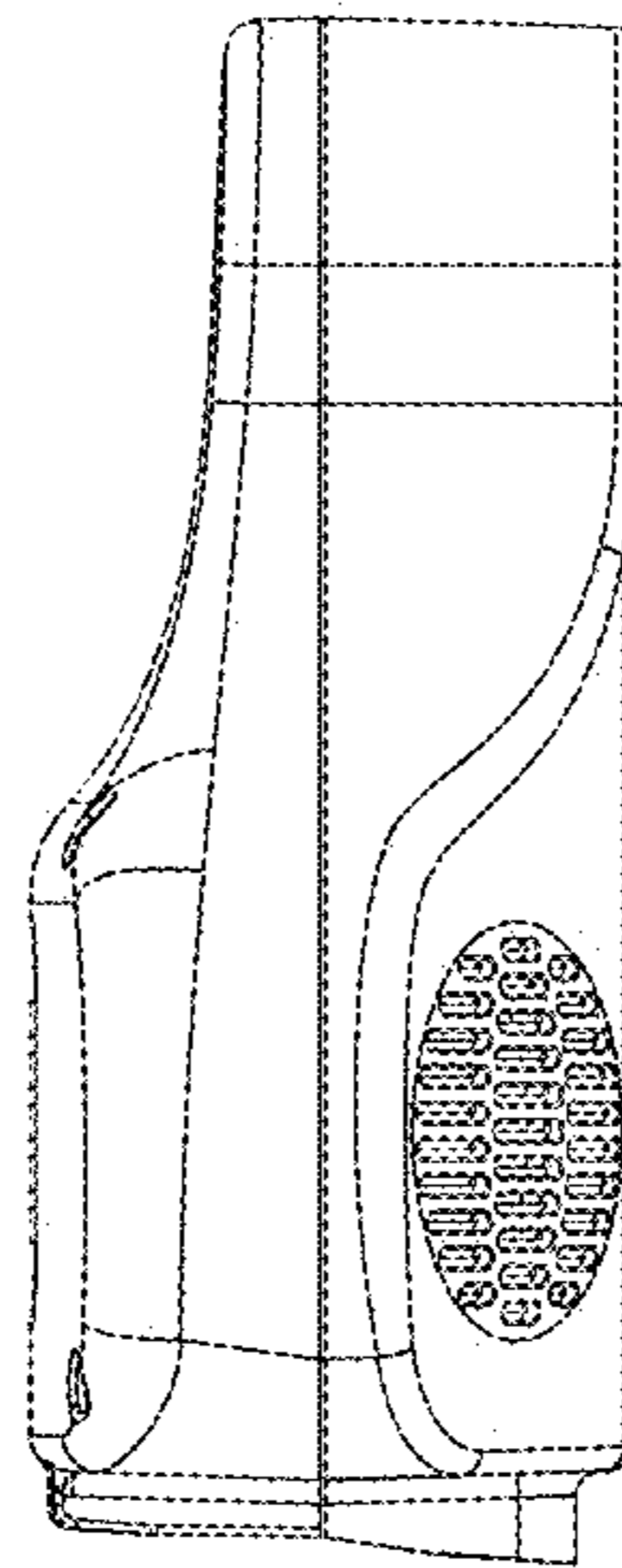


FIG. 5

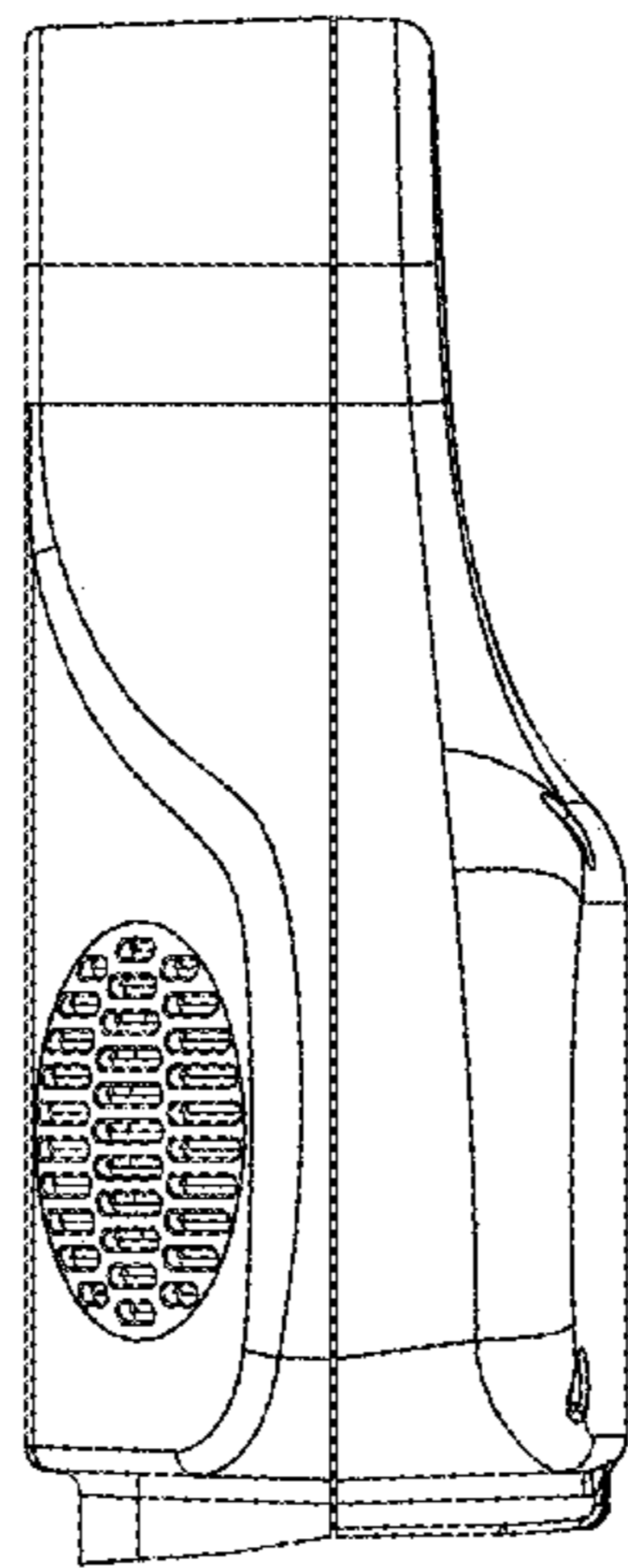


FIG. 6

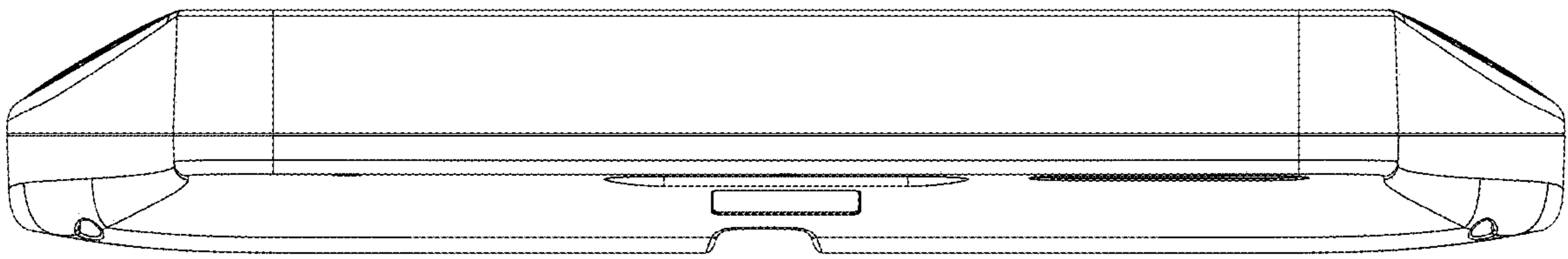


FIG. 7

