



US00D874948S

(12) **United States Design Patent** (10) **Patent No.:** **US D874,948 S**  
**Syoubayashi** (45) **Date of Patent:** **\*\* Feb. 11, 2020**

(54) **WRIST WATCH**

(71) Applicant: **CASIO KEISANKI KABUSHIKI**  
**KAISHA**, Shibuya-ku, Tokyo (JP)

(72) Inventor: **Seiji Syoubayashi**, Tokyo (JP)

(73) Assignee: **CASIO KEISANKI KABUSHIKI**  
**KAISHA**, Tokyo (JP)

(\*\*) Term: **15 Years**

(21) Appl. No.: **29/645,888**

(22) Filed: **Apr. 30, 2018**

(30) **Foreign Application Priority Data**

Nov. 10, 2017 (CN) ..... 2017 3 0552366

(51) **LOC (12) Cl.** ..... **10-02**

(52) **U.S. Cl.**  
USPC ..... **D10/39**

(58) **Field of Classification Search**

USPC ..... D10/1-2, 6, 14-15, 30-39, 40-41, 98,  
D10/102, 121-126, 128-129; D11/3-5,  
D11/12, 18-19, 23, 93; D14/344  
CPC .. A44C 5/02; G04B 17/28-285; G04B 19/00;  
G04B 19/048; G04B 19/06; G04B  
19/065; G04B 19/08; G04B 19/085;  
G04B 19/087; G04B 19/10; G04B  
19/103; G04B 19/106; G04B 19/12;  
G04B 19/16; G04B 19/22; G04B 19/223;  
G04B 19/24; G04B 19/243; G04B 29/00;  
G04B 37/00; G04B 37/008; G04B  
37/0058; G04B 37/12; G04B 37/14;  
G04B 37/1486; G04B 45/0069; G04B  
45/0076; G04B 47/00; G04B 47/048

See application file for complete search history.

(56) **References Cited**

**U.S. PATENT DOCUMENTS**

D416,496 S \* 11/1999 Matsuda ..... D10/30  
D508,860 S \* 8/2005 Plan ..... D10/39

D514,454 S \* 2/2006 Sekiguchi ..... D10/30  
D573,488 S \* 7/2008 Sanz ..... D10/39  
D645,362 S \* 9/2011 Houlihan ..... D10/38  
D652,326 S \* 1/2012 Kummer ..... D10/38  
D663,222 S \* 7/2012 Nakai ..... D10/39  
D685,666 S \* 7/2013 Nakai ..... D10/128  
D740,138 S \* 10/2015 Goto ..... D10/39  
D741,202 S \* 10/2015 Goto ..... D10/30

(Continued)

**OTHER PUBLICATIONS**

Review 2018 Casio G-Shock MT-G | posted at professionalwatches.com Sep. 2018 [online]. © 2019 Professional Watches [retrieved Mar. 27, 2019] from Internet: <https://www.professionalwatches.com/review-2018-casio-g-shock-mt-g/> (Year: 2018).\*

*Primary Examiner* — Sandra S Snapp

*Assistant Examiner* — Katherine Glennon

(74) *Attorney, Agent, or Firm* — Holtz, Holtz & Volek PC

(57) **CLAIM**

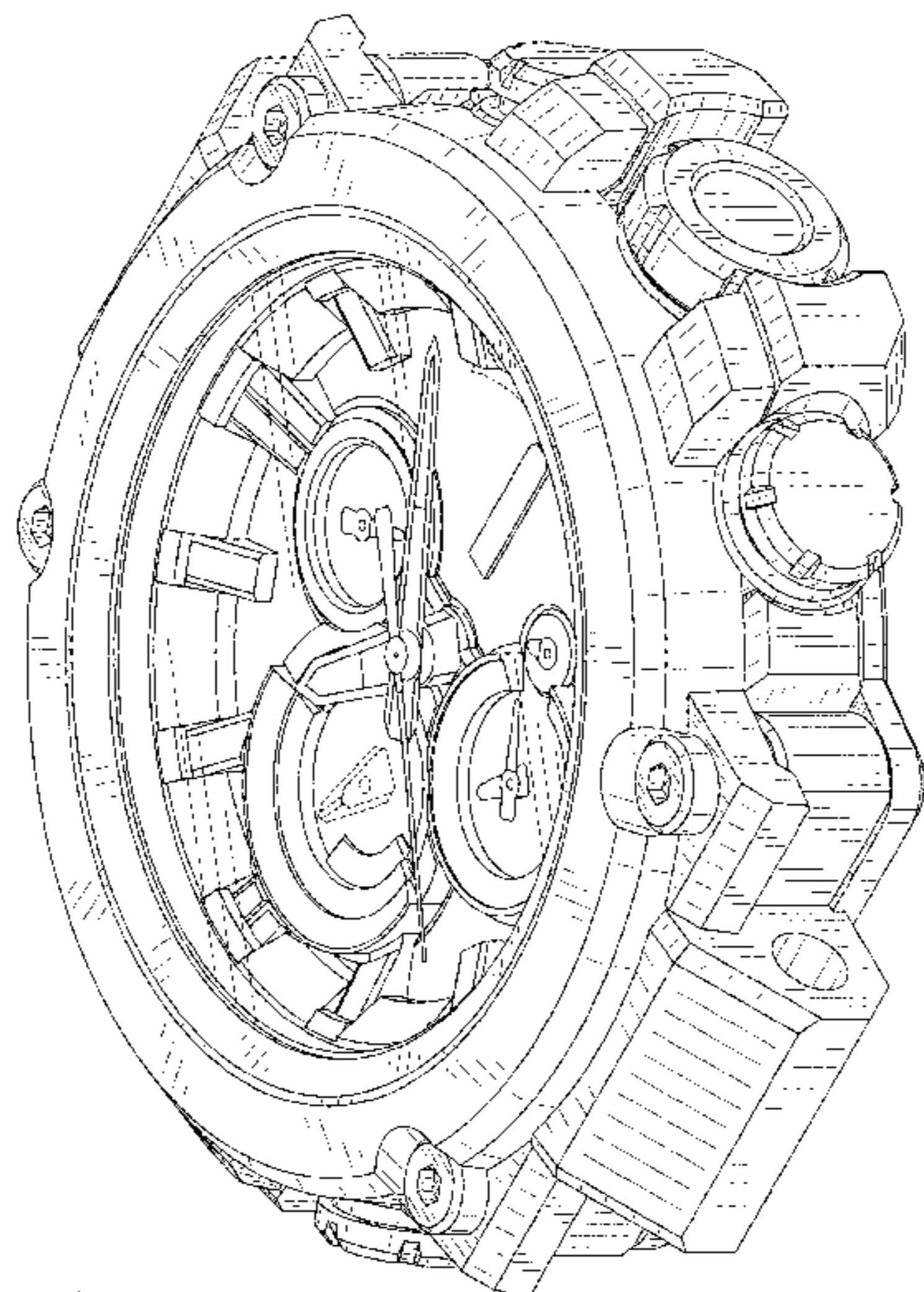
The ornamental design for a wrist watch, as shown and described.

**DESCRIPTION**

FIG. 1 is a front, right side, bottom perspective view of a wrist watch showing my new design;  
FIG. 2 is a front elevation view thereof;  
FIG. 3 is a rear elevation view thereof;  
FIG. 4 is a left side elevation view thereof;  
FIG. 5 is a right side elevation view thereof;  
FIG. 6 is a top plan view thereof;  
FIG. 7 is a bottom plan view thereof; and,  
FIG. 8 is a perspective view thereof in an exemplary environment.

The broken lines are included for the purpose of illustrating the environmental structure and form no part of the claimed design.

**1 Claim, 7 Drawing Sheets**



(56)

**References Cited**

U.S. PATENT DOCUMENTS

D742,252 S \* 11/2015 Akagi ..... D10/126  
D742,762 S \* 11/2015 Syoubayashi ..... D10/126  
D742,763 S \* 11/2015 Hashimoto ..... D10/126  
D751,420 S \* 3/2016 Nakai ..... D10/126  
D776,550 S \* 1/2017 Nakai ..... D10/132  
D808,386 S \* 1/2018 Matsuda ..... D14/344  
D817,192 S \* 5/2018 Syoubayashi ..... D10/39  
D829,111 S \* 9/2018 Akagi ..... D10/39  
2018/0013189 A1\* 1/2018 Sakurasawa ..... H05K 1/18  
2018/0231940 A1\* 8/2018 Kojima ..... G04G 9/00

\* cited by examiner

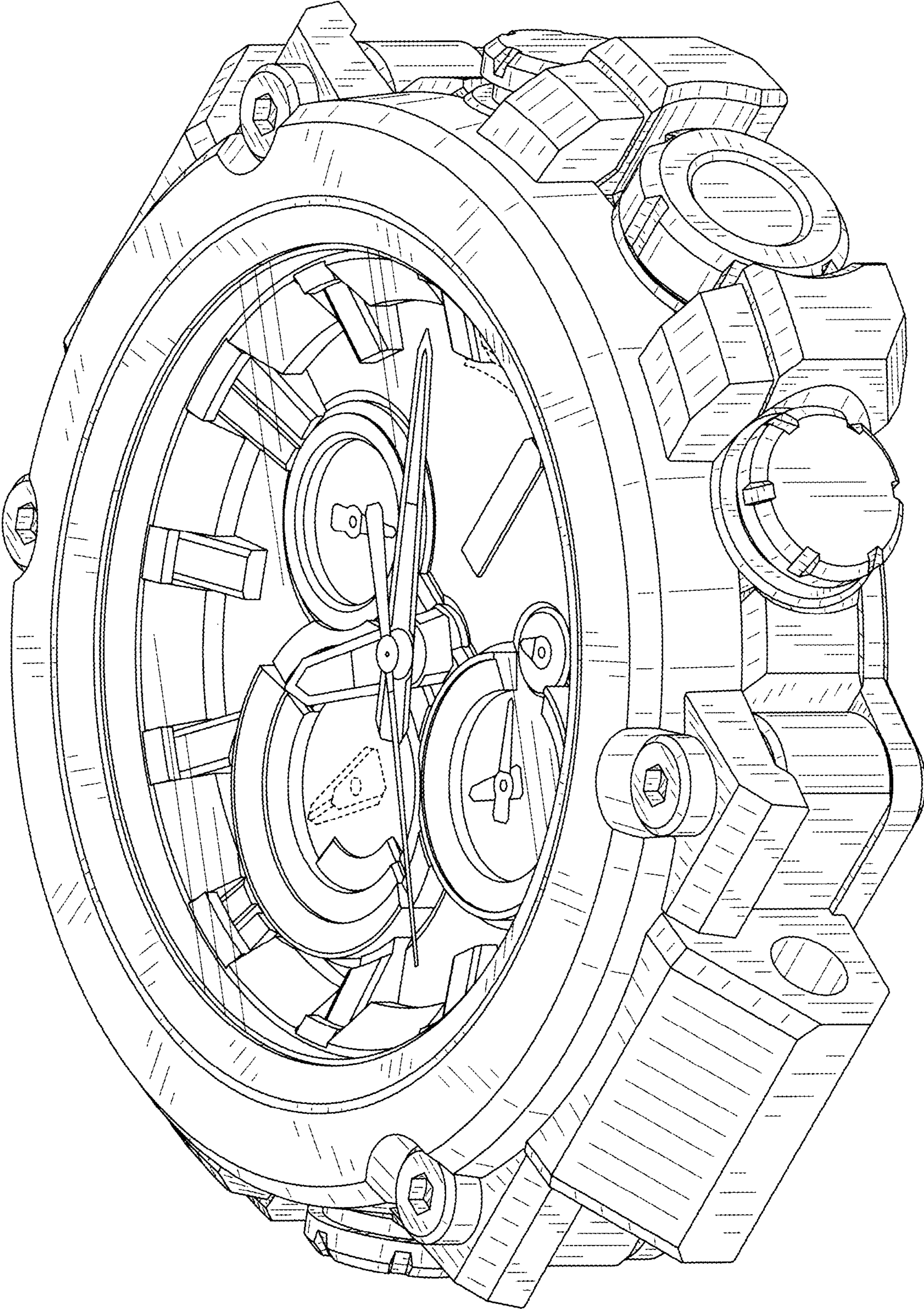
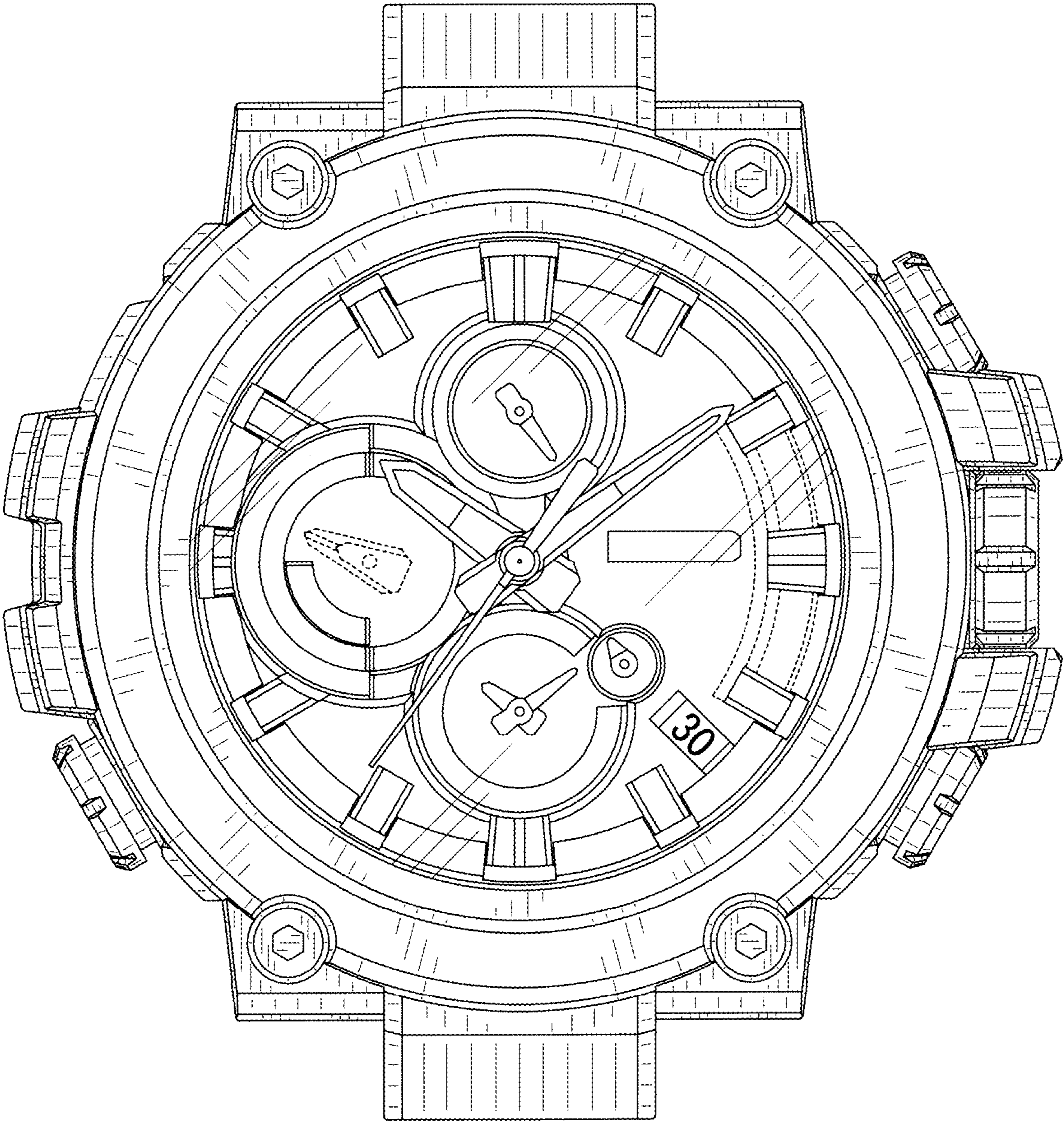
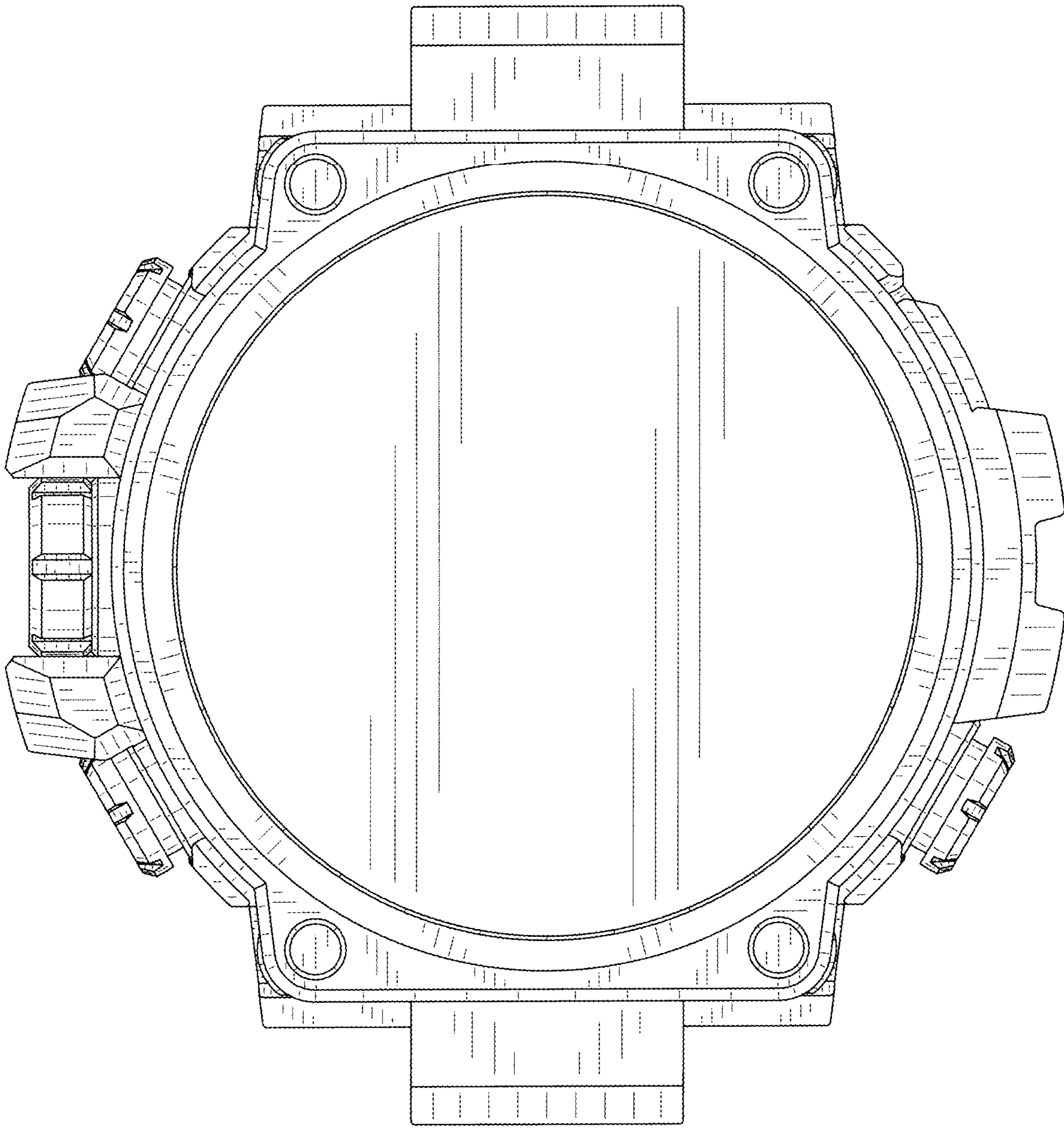


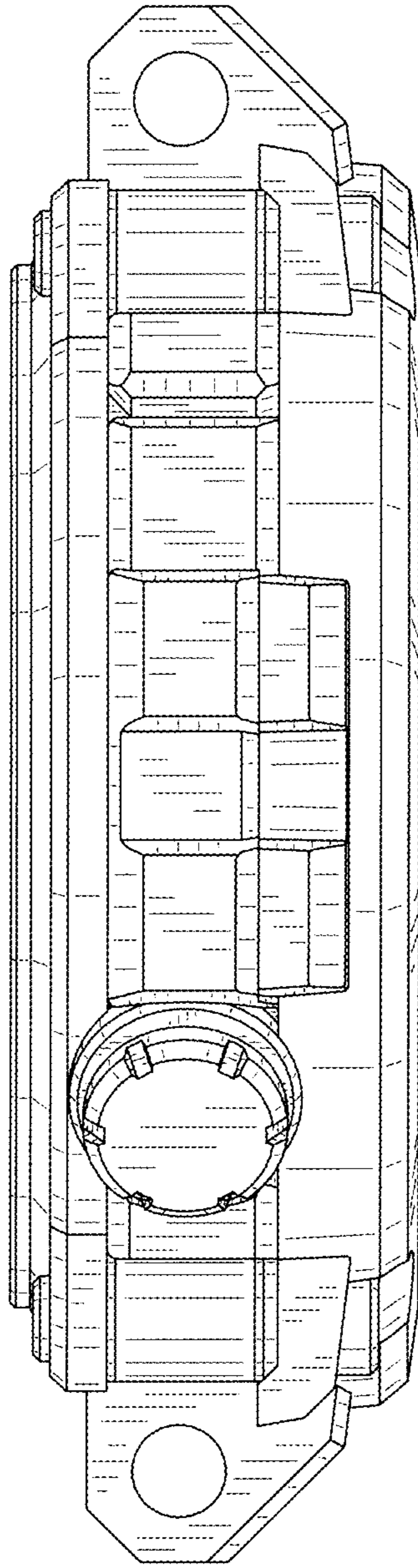
FIG. 1



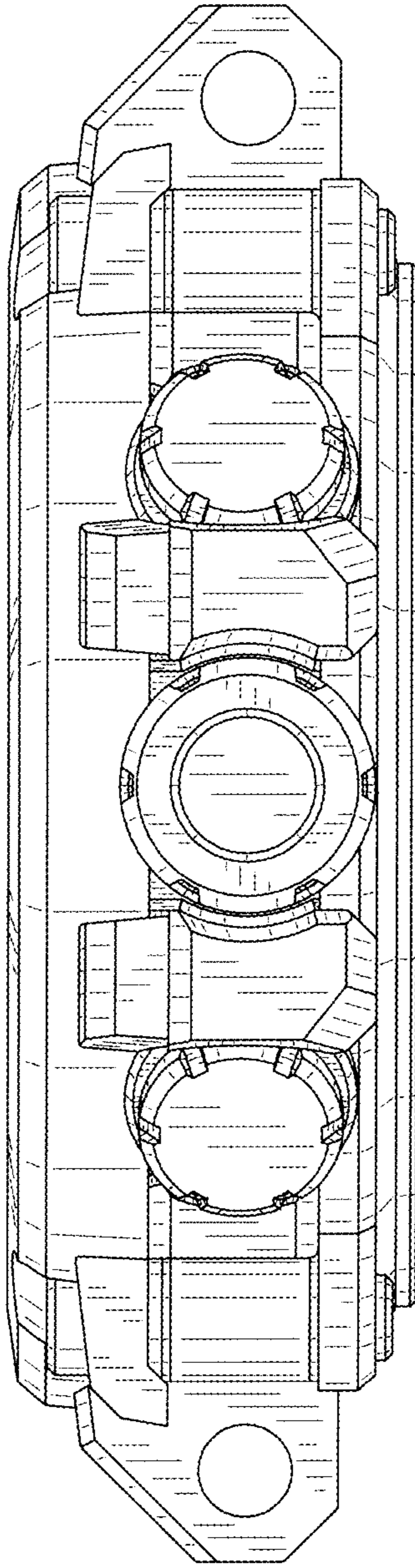
**FIG. 2**



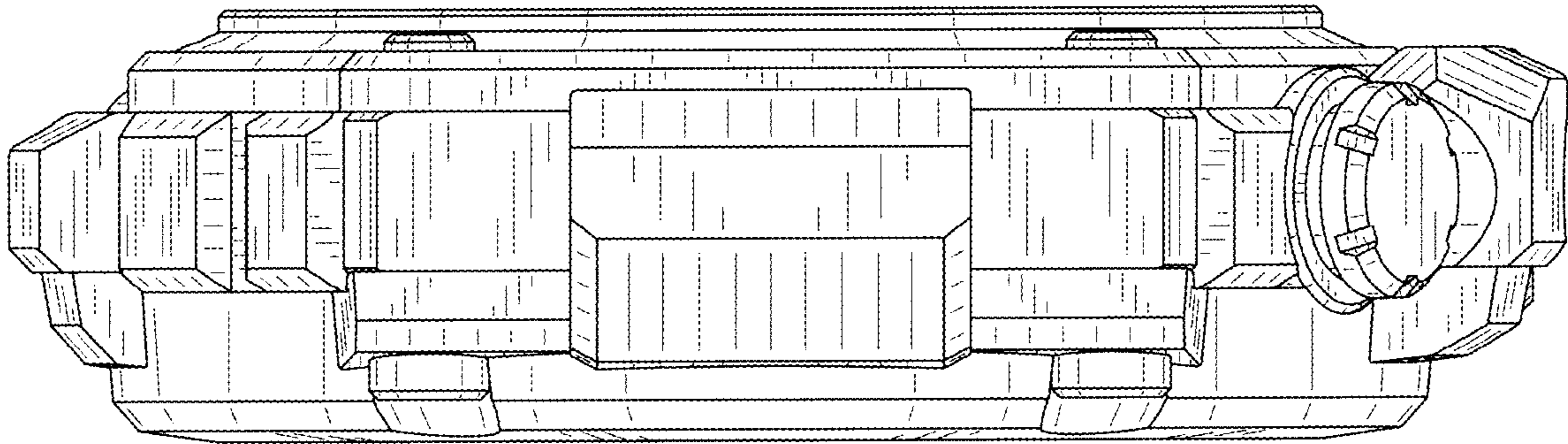
**FIG. 3**



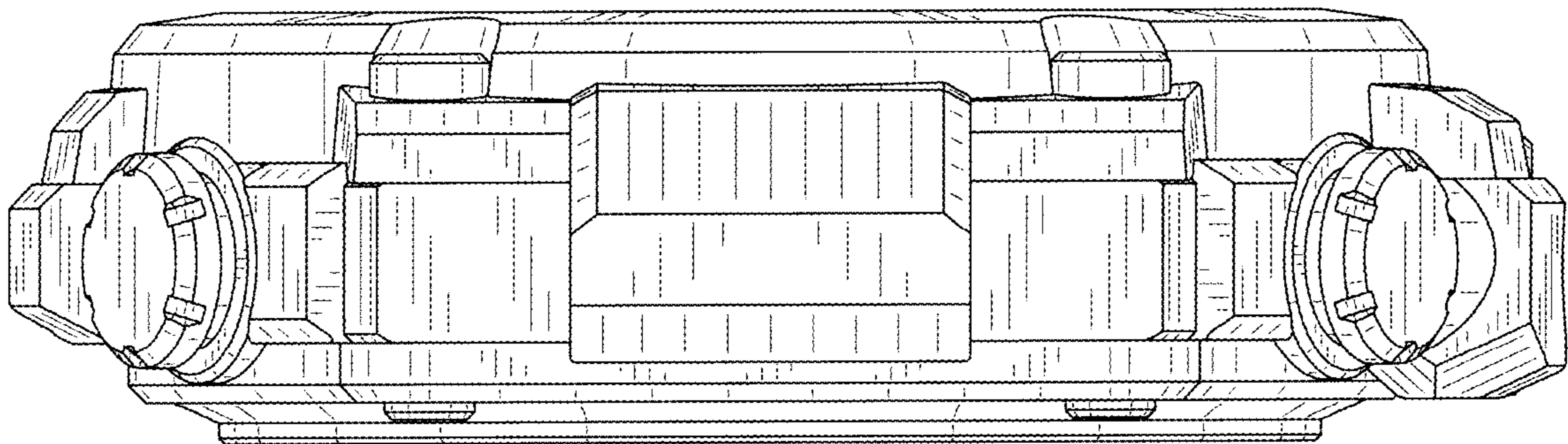
**FIG. 4**



**FIG. 5**

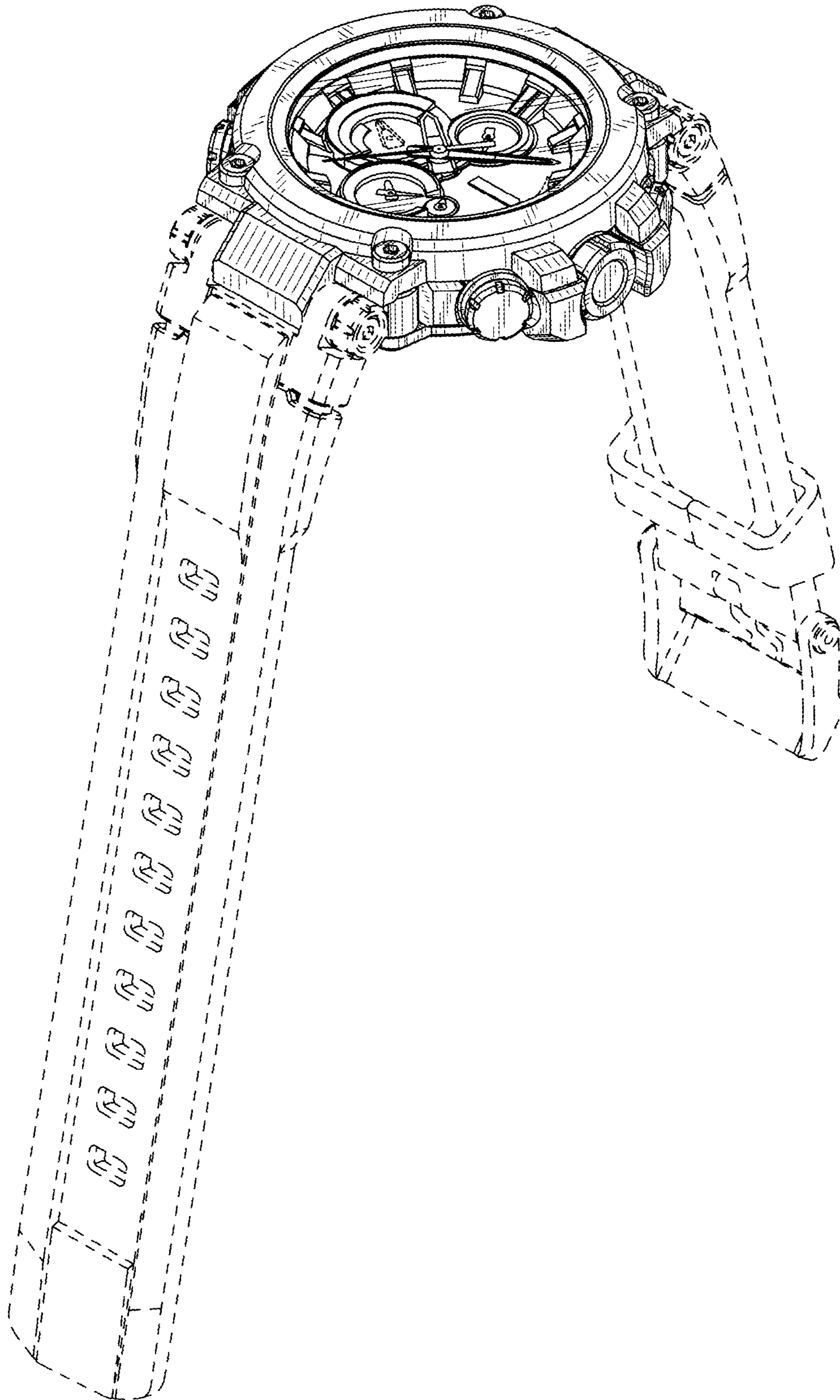


**FIG. 6**



**FIG. 7**





**FIG. 8**