



US00D874947S

(12) **United States Design Patent** (10) **Patent No.:** **US D874,947 S**
Berneron (45) **Date of Patent:** **** Feb. 11, 2020**

(54) **WATCH**

(71) Applicant: **Richemont International SA,**
Villars-sur-Glane (CH)

(72) Inventor: **Sylvain Berneron,** Geneva (CH)

(73) Assignee: **Richemont International SA,**
Villars-sur-Glane (CH)

D754,017 S * 4/2016 Muller D10/126
D754,018 S * 4/2016 Ruffieux D10/126
D755,645 S * 5/2016 Belamich D10/125
D759,512 S * 6/2016 Belamich D10/126
D766,766 S * 9/2016 Lasserre D10/126
D769,146 S * 10/2016 Firth D10/128
D778,196 S * 2/2017 Kamilindi D10/126
D778,758 S * 2/2017 Ruffieux D10/126
D801,206 S * 10/2017 Lasserre D10/126

(Continued)

(**) Term: **15 Years**

(21) Appl. No.: **29/645,166**

(22) Filed: **Apr. 24, 2018**

(51) **LOC (12) Cl.** **10-02**

(52) **U.S. Cl.**
USPC **D10/39**

(58) **Field of Classification Search**
USPC D10/1-3, 30-39, 122-129, 131-132
See application file for complete search history.

(56) **References Cited**

U.S. PATENT DOCUMENTS

D360,142 S * 7/1995 Polenberg D10/30
D377,612 S * 1/1997 Lee D10/2
D380,970 S * 7/1997 Phillips D10/30
D397,042 S * 8/1998 Riley D10/30
D417,158 S * 11/1999 Krauss D10/30
D513,710 S * 1/2006 Nataf D10/126
D665,690 S * 8/2012 Bode D10/126
D685,279 S * 7/2013 de Haas D10/126
D698,688 S * 2/2014 Boulangeot D10/126
D717,670 S * 11/2014 Davoli D10/39
D727,752 S * 4/2015 Laucella D10/35
D728,403 S * 5/2015 Calvani D10/126
D729,074 S * 5/2015 Boulangeot D10/124
D734,177 S * 7/2015 Kamilindi D10/126
D746,157 S * 12/2015 Babcock D10/30
D747,977 S * 1/2016 Calvani D10/126
D753,528 S * 4/2016 Ruffieux D10/126

OTHER PUBLICATIONS

Baume Iconic Watch | posted at hodinkee.com May 2018 [online].
© 2009-2019, HODINKEE INC. [retrieved Feb. 19, 2019] from
Internet: <<https://www.hodinkee.com/articles/baume-watch-brand-richemont-introducing>> (Year: 2018).*

Primary Examiner — Sandra S Snapp

Assistant Examiner — Katherine Glennon

(74) *Attorney, Agent, or Firm* — Taft Stettinius &
Hollister LLP

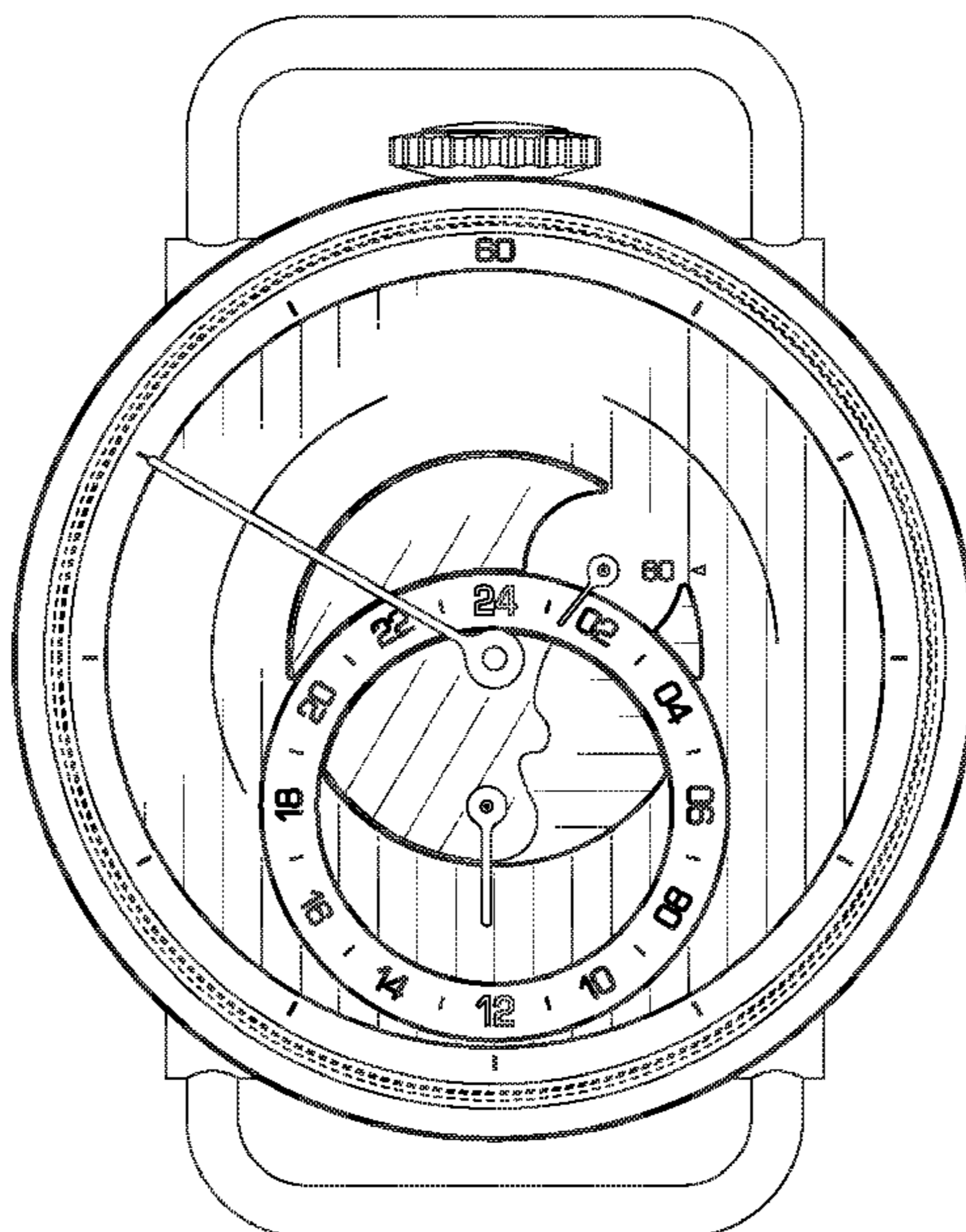
(57) **CLAIM**

The ornamental design for a watch, as shown and described.

DESCRIPTION

FIG. 1 is a front elevational view of a watch showing my new design;
FIG. 2 is a back elevational view thereof;
FIG. 3 is a right side elevational view thereof;
FIG. 4 is a left side elevational view thereof;
FIG. 5 is a bottom plan view thereof;
FIG. 6 is a top plan view thereof;
FIG. 7 is a front, right side perspective view thereof; and,
FIG. 8 is a back, left side perspective view thereof.
The broken lines in the drawing figures depict portions of the watch that form no part of the claimed design.

1 Claim, 8 Drawing Sheets



(56)

References Cited

U.S. PATENT DOCUMENTS

D810,602 S *	2/2018	Bode	D10/126
D820,691 S *	6/2018	Duval	D10/38
D821,905 S *	7/2018	Ruffieux	D10/126
D824,275 S *	7/2018	Sivriere	D11/35

* cited by examiner

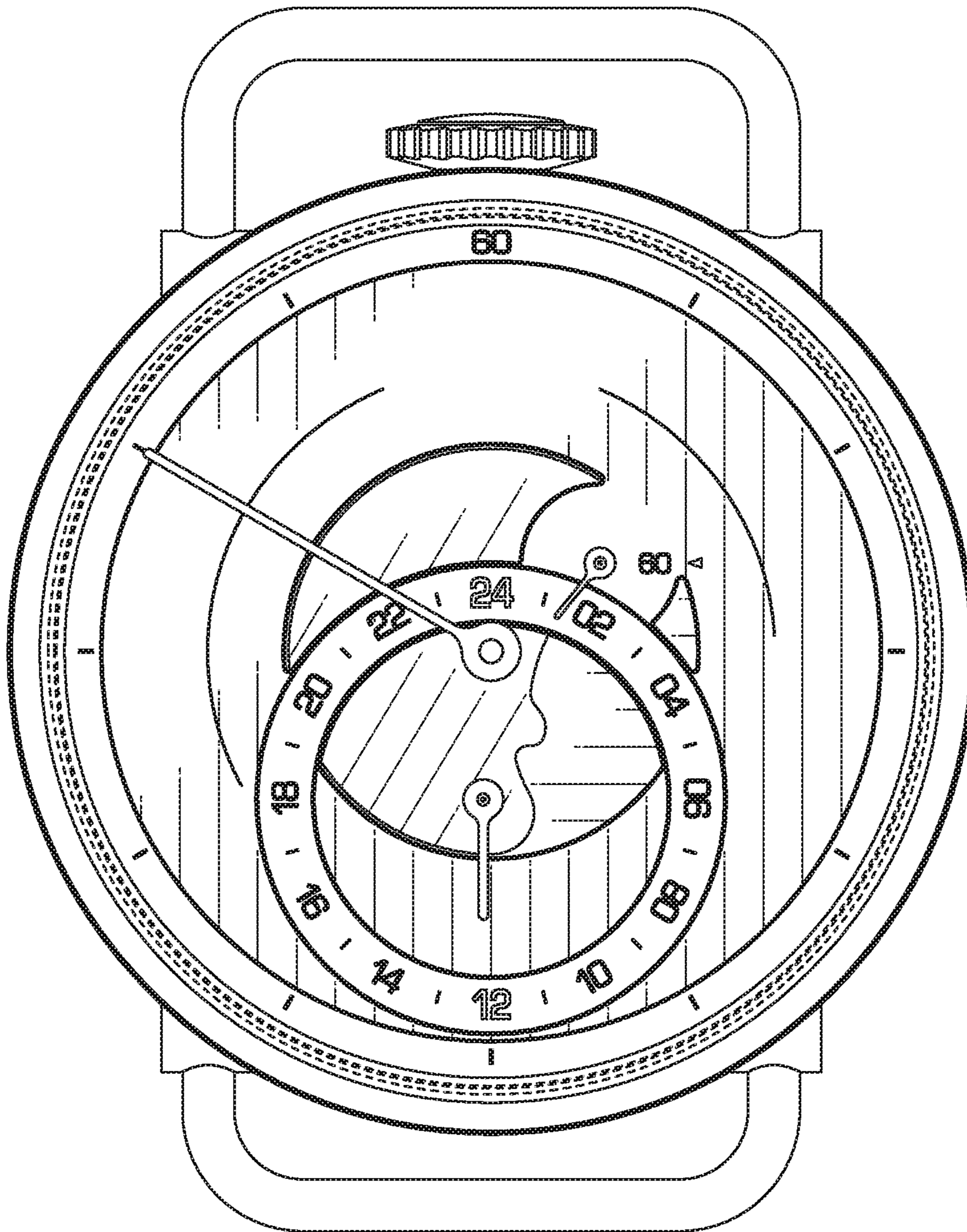


Fig. 1

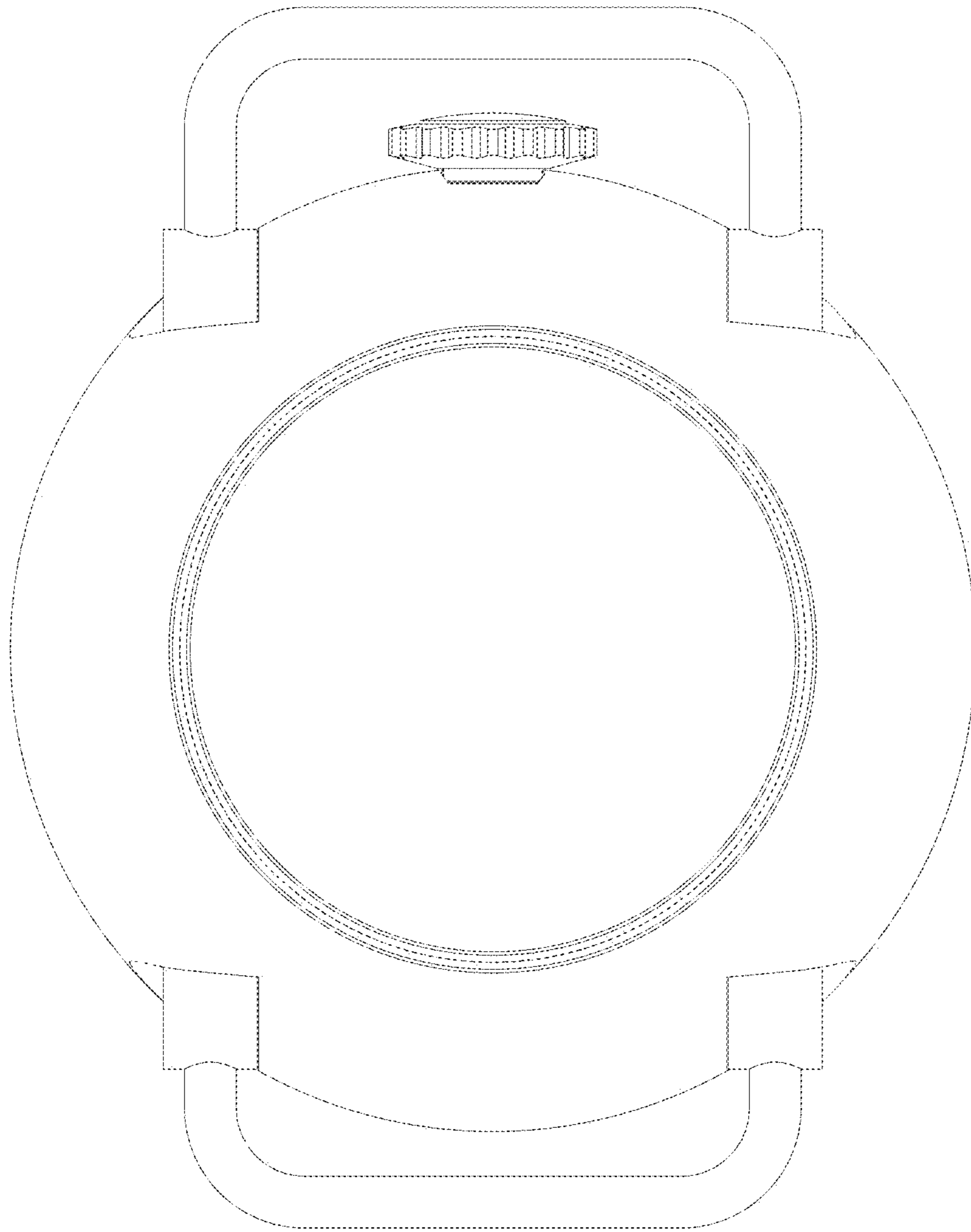


Fig. 2

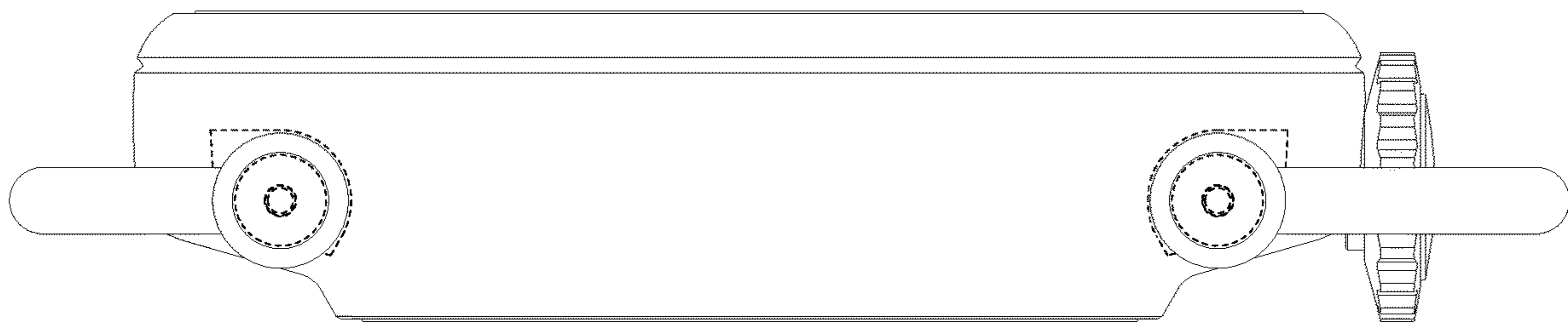


Fig. 3

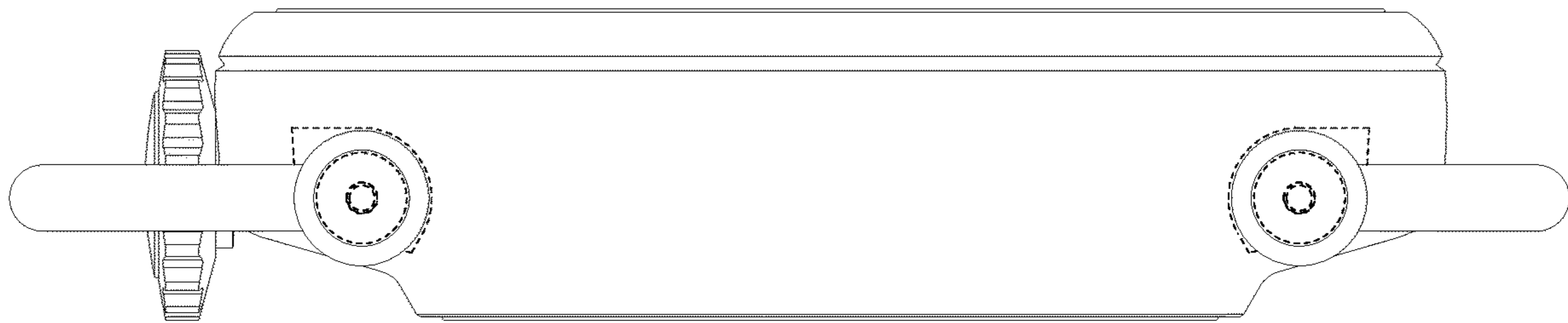


Fig. 4

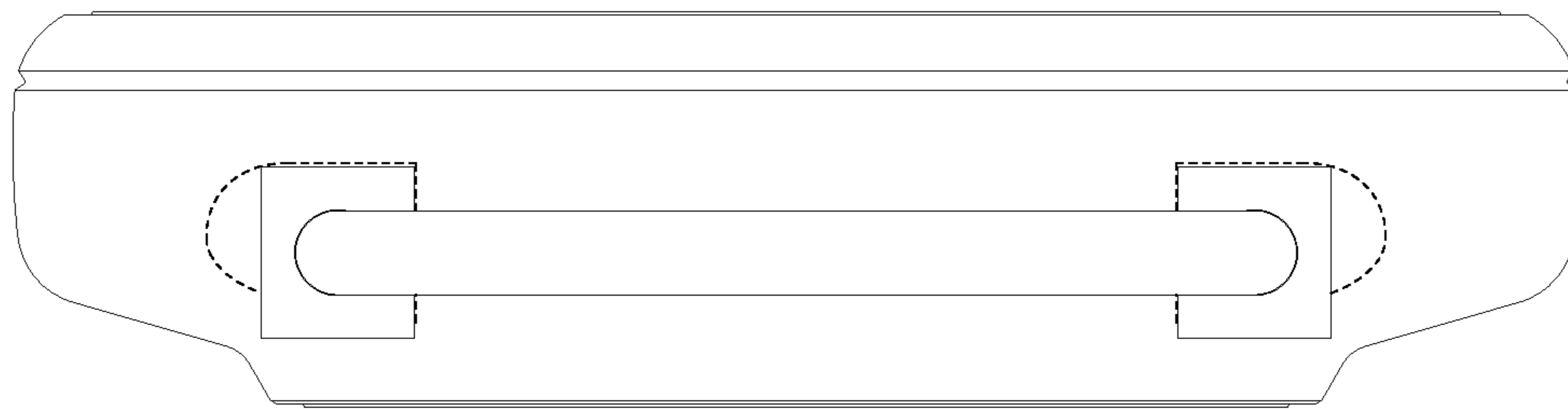


Fig. 5

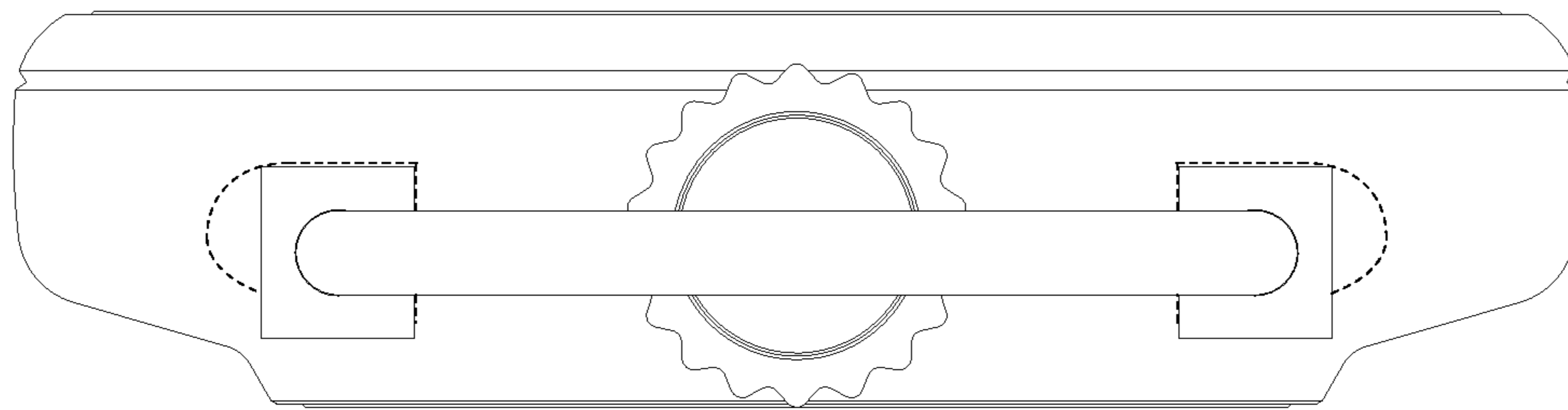


Fig. 6

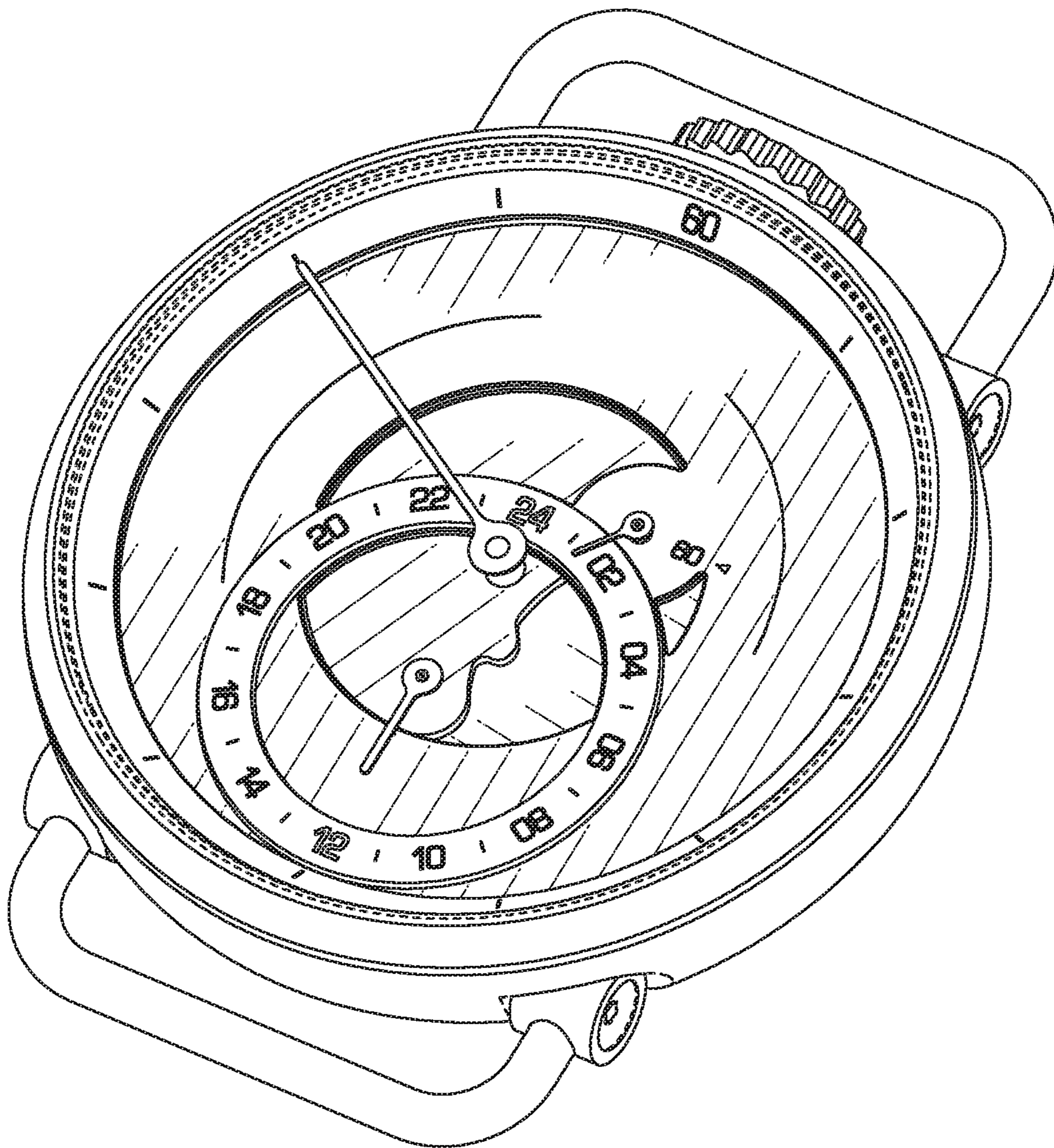


Fig. 7

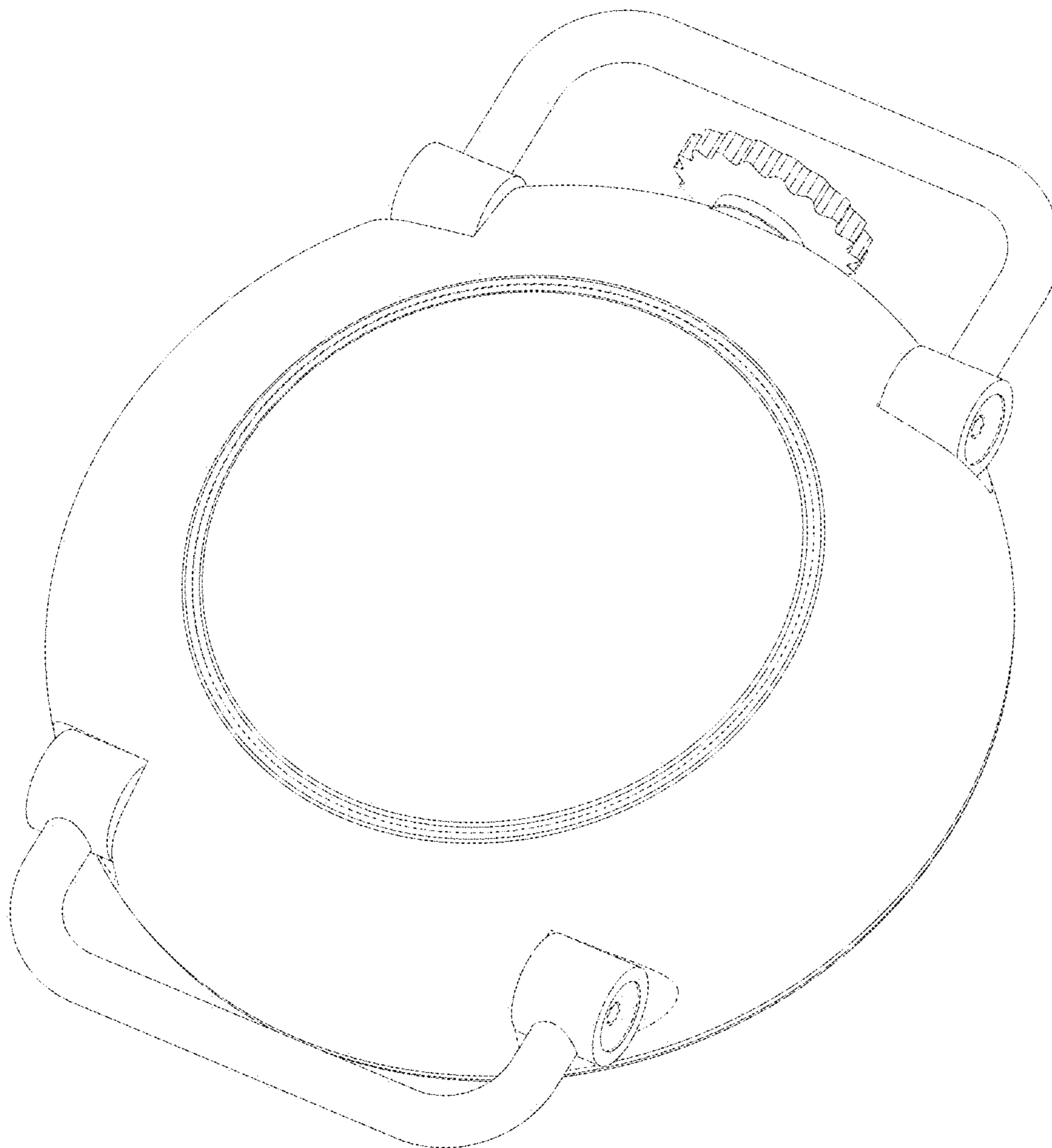


Fig. 8