



US00D874946S

(12) **United States Design Patent** (10) **Patent No.:** **US D874,946 S**
Matsuda (45) **Date of Patent:** **** Feb. 11, 2020**

(54) **WATCH CASE**

(71) Applicant: **CASIO KEISANKI KABUSHIKI KAISHA**, Shibuya-ku, Tokyo (JP)

(72) Inventor: **Takao Matsuda**, Tokyo (JP)

(73) Assignee: **CASIO KEISANKI KABUSHIKI KAISHA**, Tokyo (JP)

(**) Term: **15 Years**

(21) Appl. No.: **29/645,880**

(22) Filed: **Apr. 30, 2018**

(30) **Foreign Application Priority Data**

Nov. 10, 2017 (CN) 2017 3 0552266

(51) **LOC (12) Cl.** **10-02**

(52) **U.S. Cl.**
USPC **D10/30**

(58) **Field of Classification Search**

USPC D10/1-2, 6, 14-15, 30-39, 40-41, 98,
D10/102, 121-126, 128-129; D11/3-5,
D11/12, 18-19, 23, 93; D14/344
CPC .. A44C 5/02; G04B 17/28-285; G04B 19/00;
G04B 19/048; G04B 19/06; G04B
19/065; G04B 19/08; G04B 19/085;
G04B 19/087; G04B 19/10; G04B
19/103; G04B 19/106; G04B 19/12;
G04B 19/16; G04B 19/22; G04B 19/223;
G04B 19/24; G04B 19/243; G04B 29/00;
G04B 37/00; G04B 37/008; G04B
37/0058; G04B 37/12; G04B 37/14;
G04B 37/1486; G04B 45/0069; G04B
45/0076; G04B 47/00; G04B 47/048

See application file for complete search history.

(56) **References Cited**

U.S. PATENT DOCUMENTS

D401,160 S * 11/1998 Akagi D10/30
D416,496 S * 11/1999 Matsuda D10/30

D418,430 S * 1/2000 Moriai D10/30
D426,780 S * 6/2000 Goto D10/30
D427,917 S * 7/2000 Hanagata D10/30
D442,500 S * 5/2001 Moriai D10/30
D489,998 S * 5/2004 Goto D10/30
D489,999 S * 5/2004 Yamamoto D10/30
D497,109 S * 10/2004 Itsubo D10/30
D504,829 S * 5/2005 Moriai D10/30
D508,415 S * 8/2005 Kojima D10/30
D514,454 S * 2/2006 Sekiguchi D10/30
D526,577 S * 8/2006 Moriai D10/38
D541,181 S * 4/2007 Watanabe D10/38
D569,275 S * 5/2008 Moriai D10/38
D658,080 S * 4/2012 Syoubayashi D10/38
D658,081 S * 4/2012 Akagi D10/39

(Continued)

Primary Examiner — Sandra S Snapp

Assistant Examiner — Katherine Glennon

(74) *Attorney, Agent, or Firm* — Holtz, Holtz & Volek PC

(57) **CLAIM**

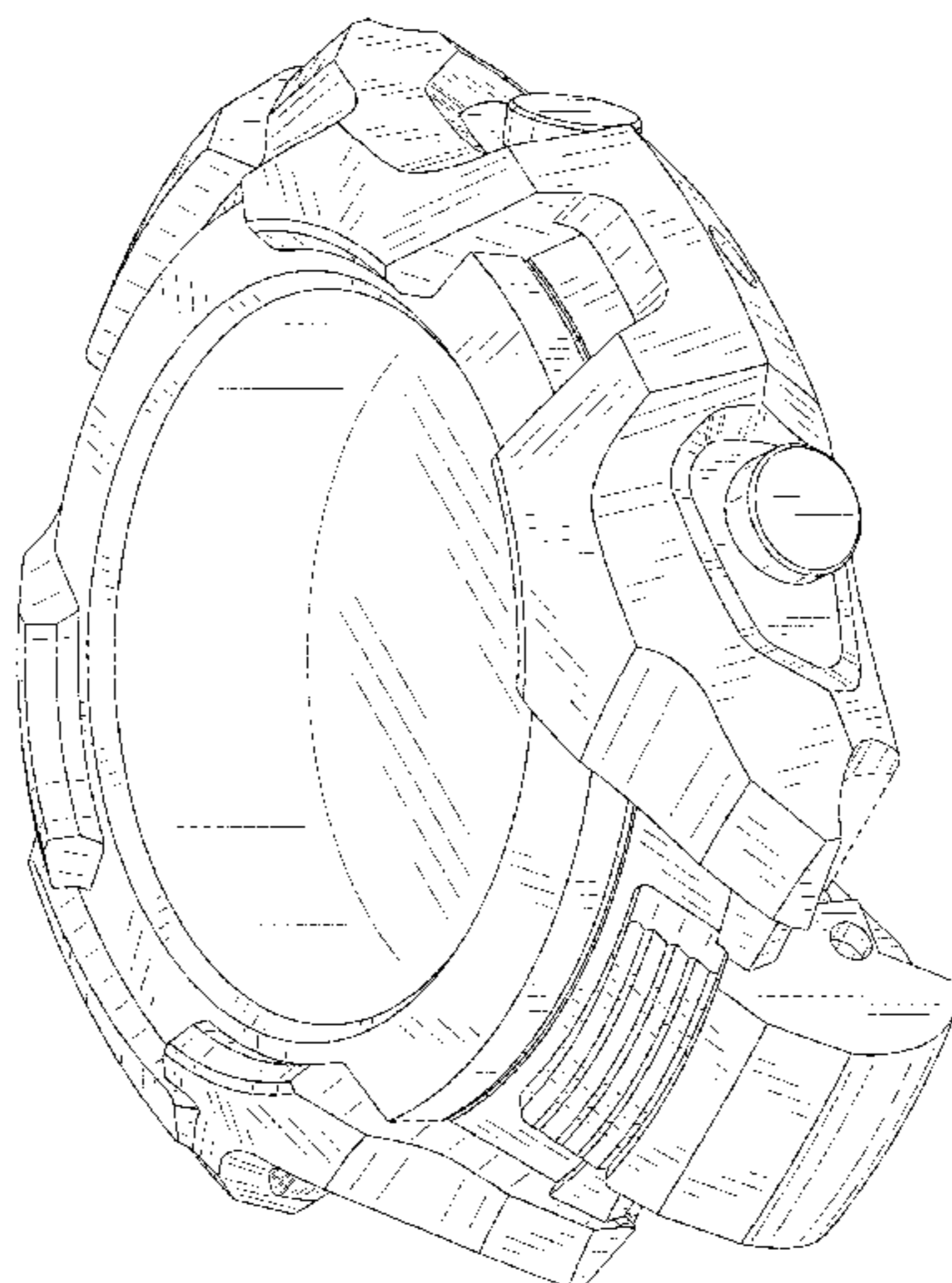
The ornamental design for a watch case, as shown and described.

DESCRIPTION

FIG. 1 is a front, right side, bottom perspective view of a watch case showing my new design;
FIG. 2 is a front elevation view thereof;
FIG. 3 is a rear elevation view thereof;
FIG. 4 is a left side elevation view thereof;
FIG. 5 is a right side elevation view thereof;
FIG. 6 is a top plan view thereof;
FIG. 7 is a bottom plan view thereof; and,
FIG. 8 is a perspective view thereof in an exemplary environment.

The broken lines are included for the purpose of illustrating the environmental structure and form no part of the claimed design.

1 Claim, 7 Drawing Sheets



(56)

References Cited

U.S. PATENT DOCUMENTS

D663,222	S	*	7/2012	Nakai	D10/39
D680,008	S	*	4/2013	Ebner	D10/38
D733,578	S	*	7/2015	Ikezu	D10/30
D742,762	S	*	11/2015	Syoubayashi	D10/126
D808,386	S	*	1/2018	Matsuda	D14/344
D817,192	S	*	5/2018	Syoubayashi	D10/39

* cited by examiner

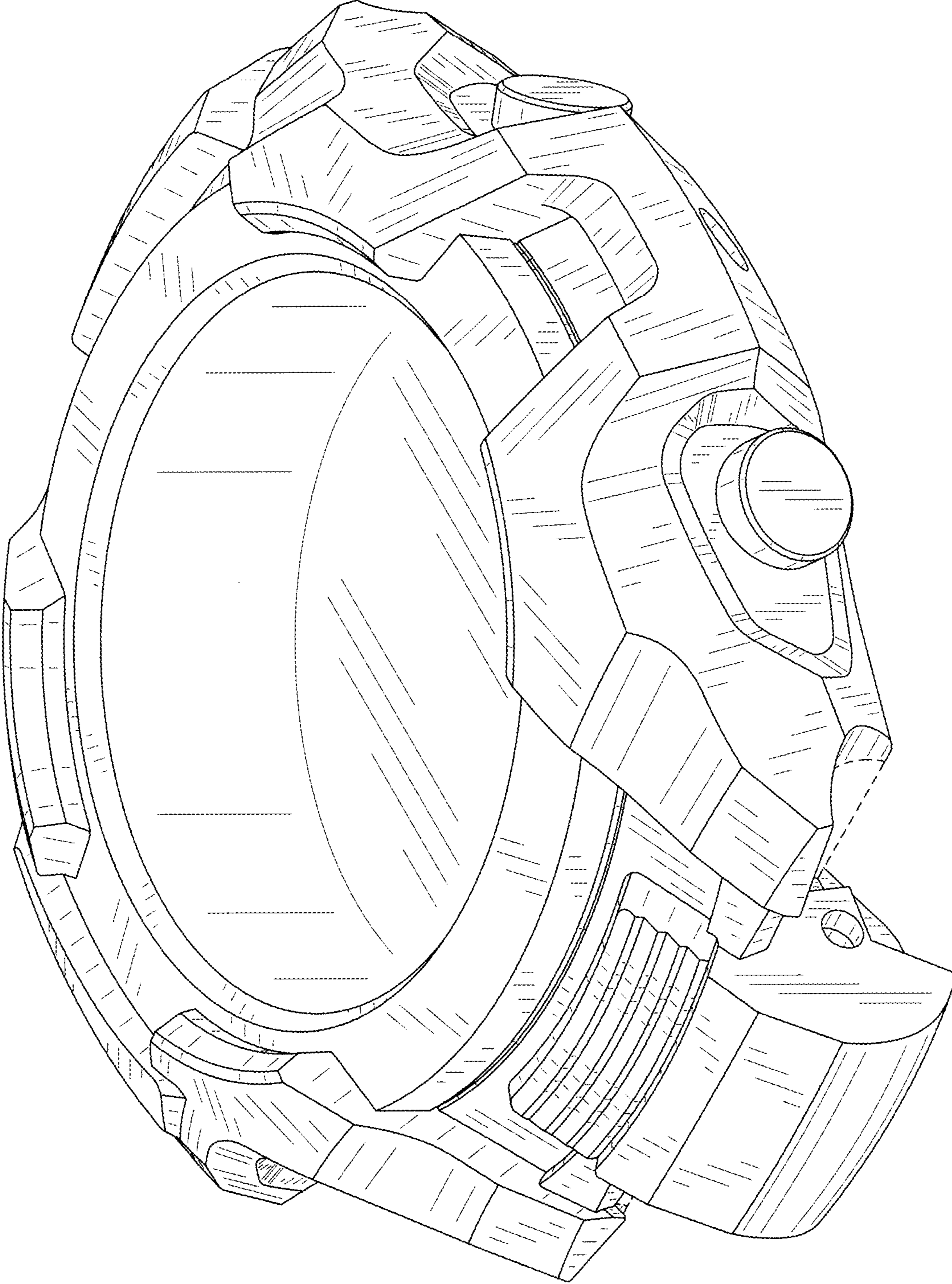


FIG. 1

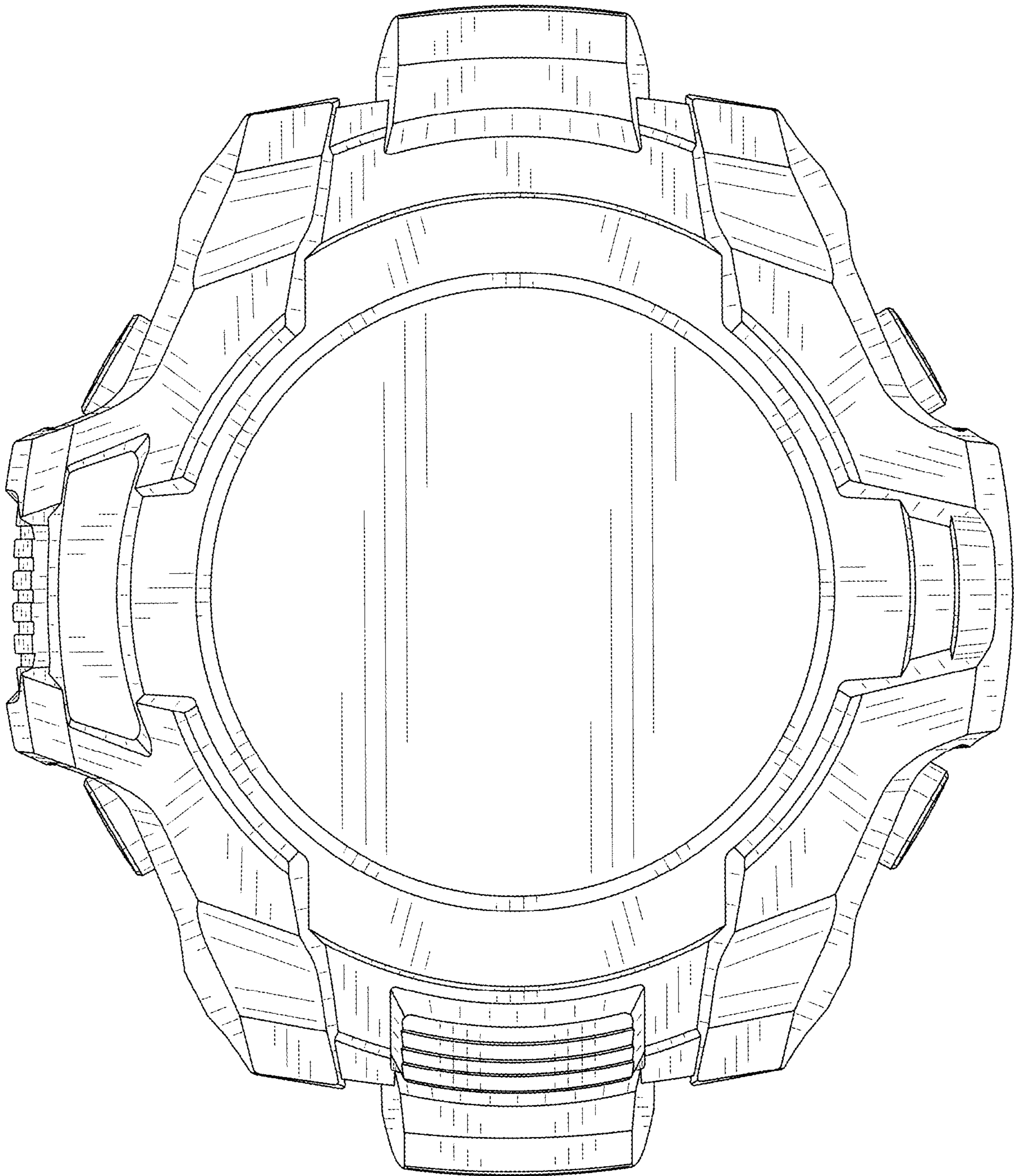


FIG. 2

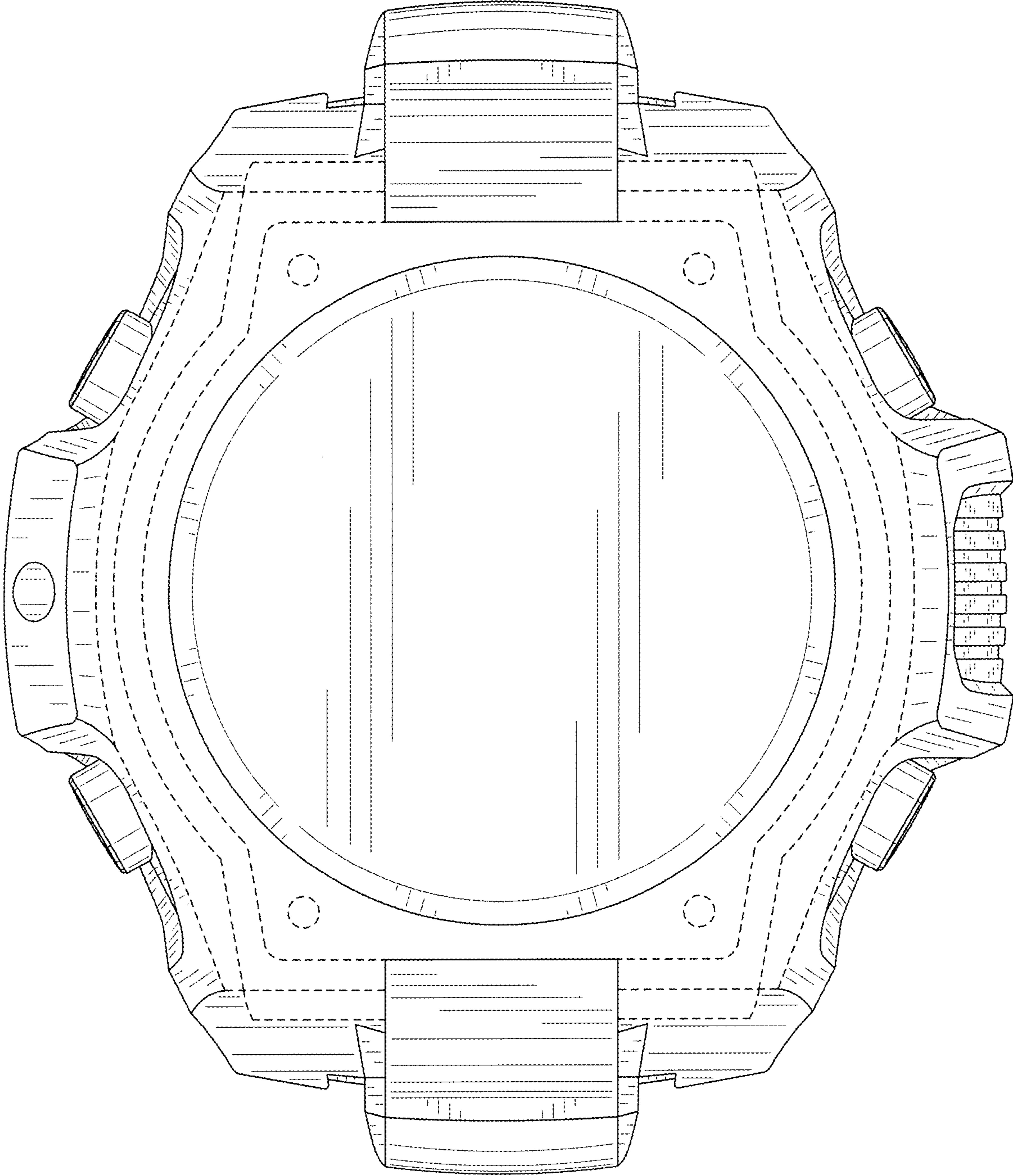


FIG. 3

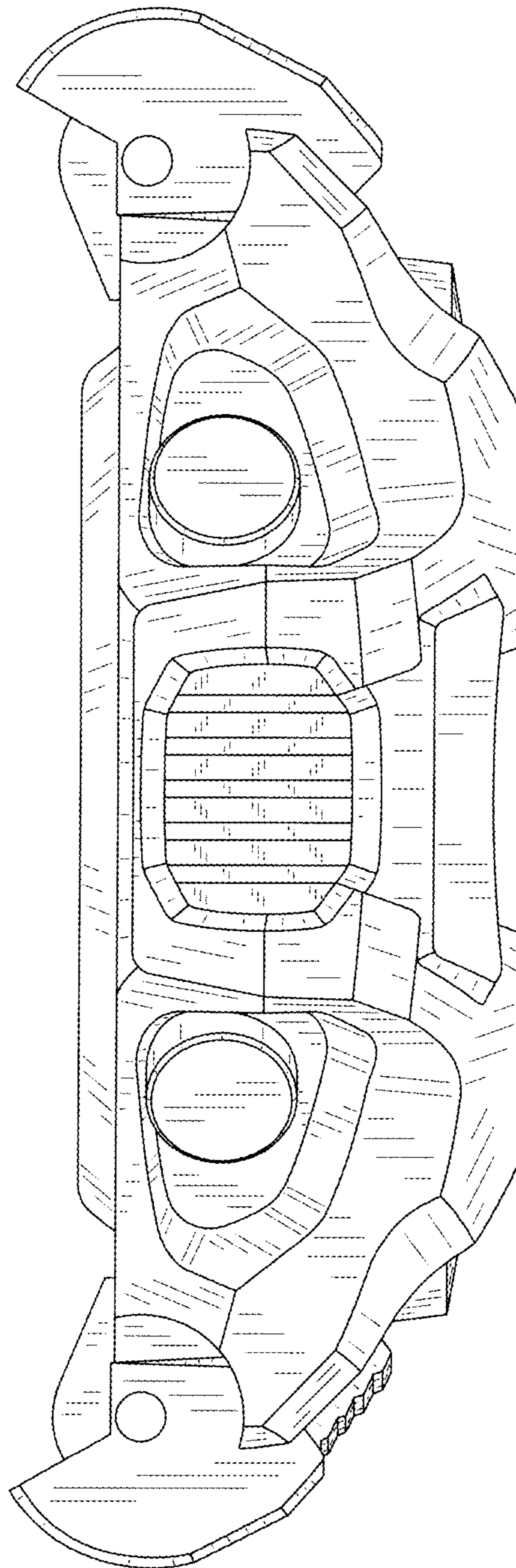


FIG. 4

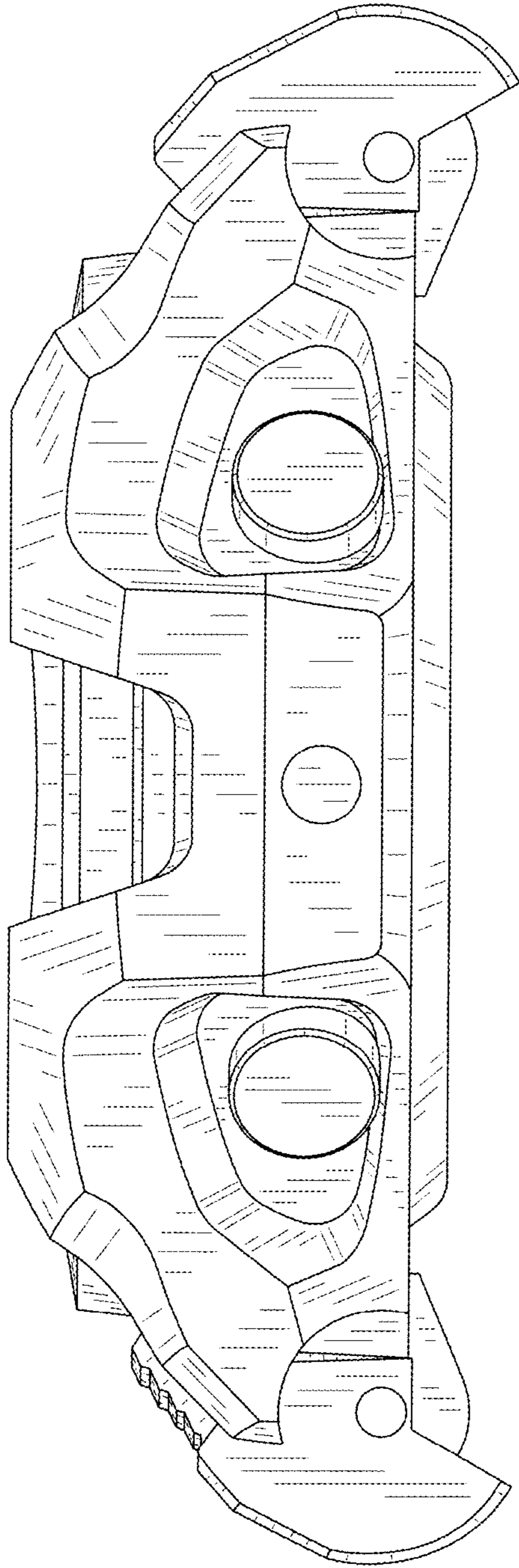


FIG. 5

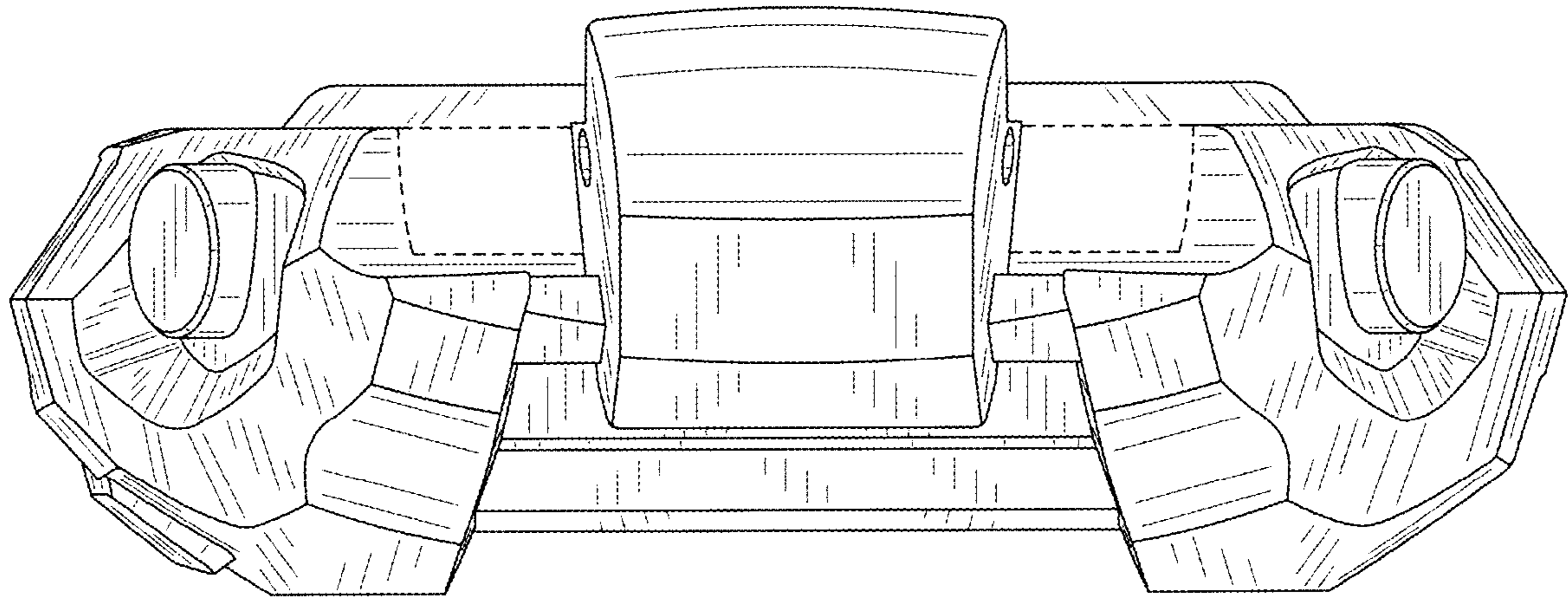


FIG. 6

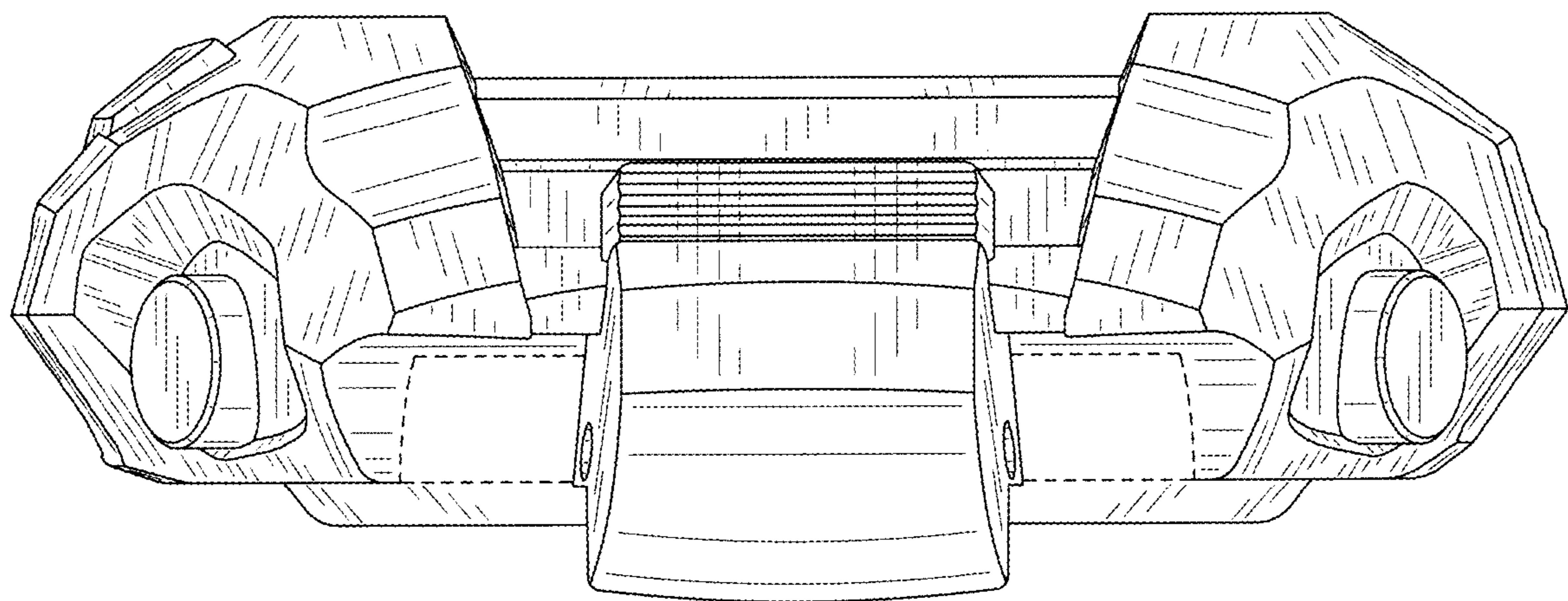


FIG. 7

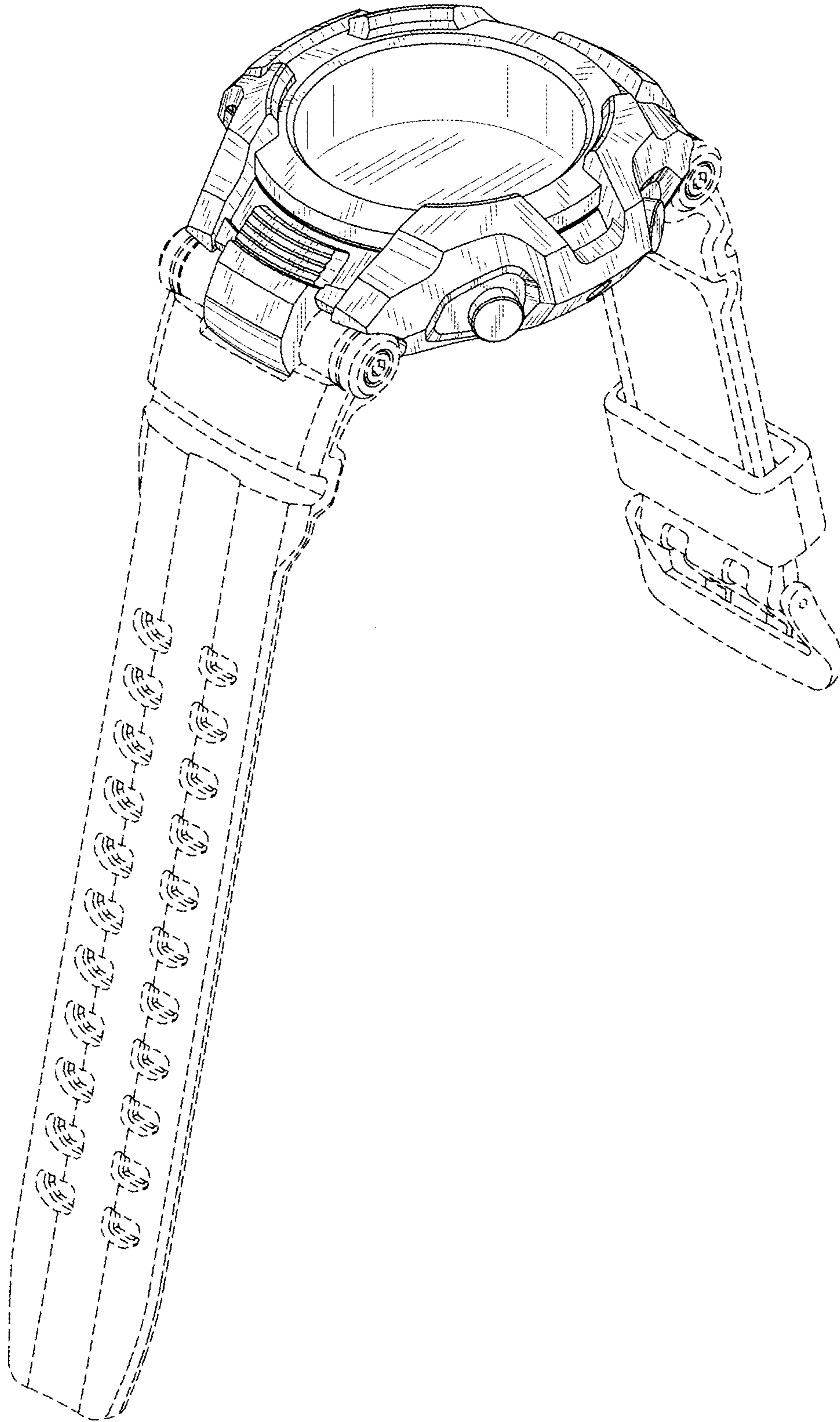


FIG. 8