



US00D874945S

(12) **United States Design Patent**  
**Krueger et al.**

(10) **Patent No.:** **US D874,945 S**

(45) **Date of Patent:** **\*\* Feb. 11, 2020**

(54) **PLASTIC FOOD CONTAINER**

(71) Applicant: **Anchor Packaging, Inc.**, St. Louis,  
MO (US)

(72) Inventors: **Kevin Krueger**, Fenton, MO (US);  
**Mike Pohlman**, Valley Park, MO (US)

(73) Assignee: **Anchor Packaging, LLC**, St. Louis,  
MO (US)

(\*\*) Term: **15 Years**

(21) Appl. No.: **29/633,905**

(22) Filed: **Jan. 17, 2018**

(51) **LOC (12) Cl.** ..... **09-03**

(52) **U.S. Cl.**  
USPC ..... **D9/761; D7/629**

(58) **Field of Classification Search**  
USPC ..... D9/341, 347, 414-432, 440, 444, 447,  
D9/449-454, 503, 504, 737, 759, 761,  
(Continued)

(56) **References Cited**

**U.S. PATENT DOCUMENTS**

D346,934 S \* 5/1994 Littlejohn ..... D7/549  
D371,940 S \* 7/1996 Krupa ..... D30/130  
(Continued)

**FOREIGN PATENT DOCUMENTS**

CN 305118231 \* 8/2018  
EM 005580537-0001 \* 8/2018  
EM 005580537-0002 \* 8/2018  
EM 005580537-0003 \* 8/2018

*Primary Examiner* — W. A. Teddy Falloway

(74) *Attorney, Agent, or Firm* — Don V. Kelly; Evans &  
Dixon, L.L.C.

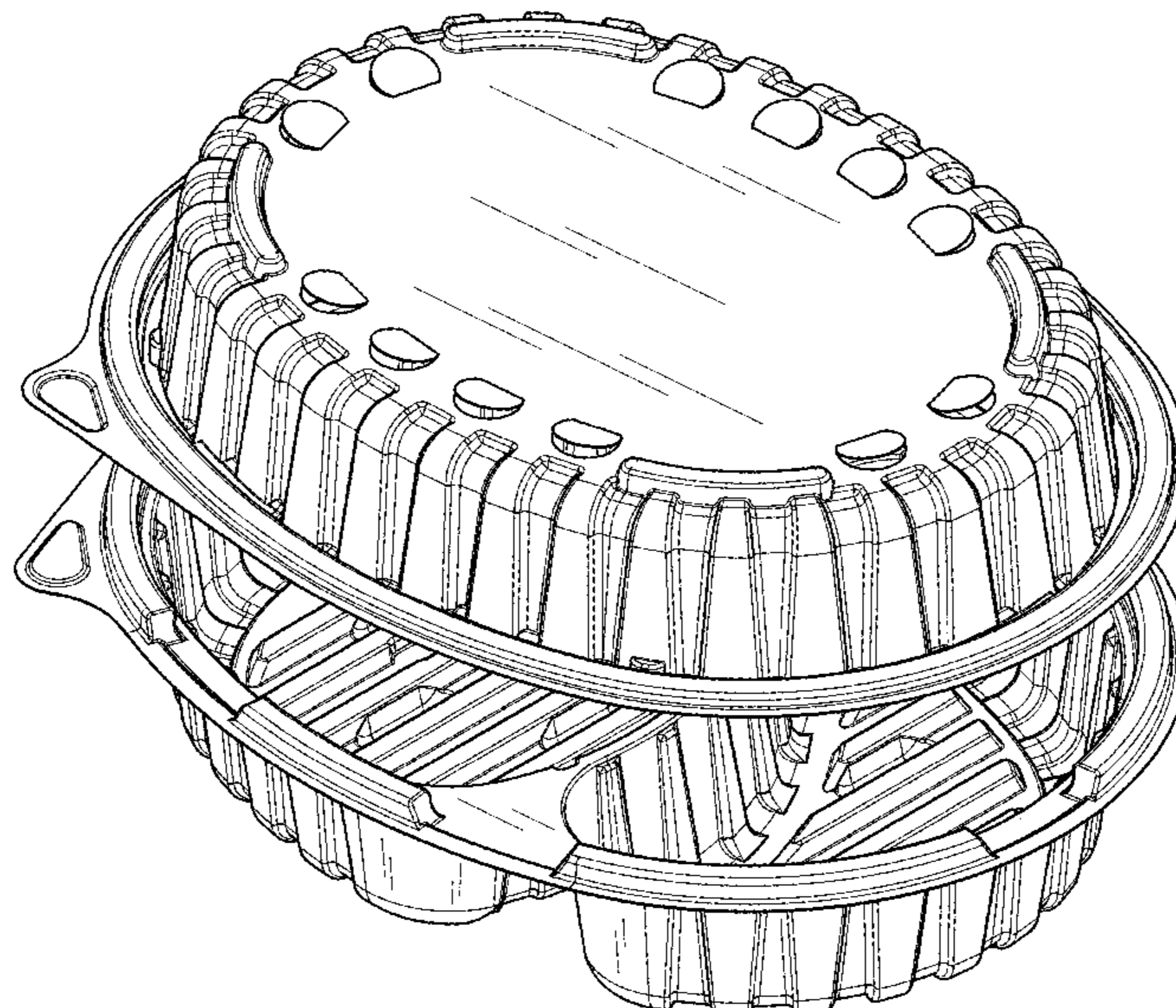
(57) **CLAIM**

The ornamental design for a plastic food container, as shown and described.

**DESCRIPTION**

FIG. 1 is a front perspective view of a plastic food container embodying the new design;  
FIG. 2 is a front elevation view thereof with the base having the lid secured thereon;  
FIG. 3 is a rear elevation view thereof with the base having the lid secured thereon;  
FIG. 4 is a left side elevation view thereof with the base having the lid secured thereon;  
FIG. 5 is a right side elevation view thereof with the base having the lid secured thereon;  
FIG. 6 is a top plan view thereof with the base having the lid secured thereon;  
FIG. 7 is a bottom plan view thereof with the base having the lid secured thereon;  
FIG. 8 is a front exploded perspective view thereof with the lid removed from the base to provide a partial view of the interior of the container;  
FIG. 9 is a front elevation view of the lid of the container, shown separately for completeness of illustration;  
FIG. 10 is a rear elevation view of the lid of the container;  
FIG. 11 is a left side elevation view of the lid of the container;  
FIG. 12 is a right side elevation view of the lid of the container;  
FIG. 13 is a top plan view of the lid of the container;  
FIG. 14 is a bottom plan view of the lid of the container;  
FIG. 15 is a front elevation view of the base of the container, shown separately for completeness of illustration;  
FIG. 16 is a rear elevation view of the base of the container;  
FIG. 17 is a left side elevation view of the base of the container;  
FIG. 18 is a right side elevation view of the base of the container;  
FIG. 19 is a top plan view of the base of the container; and,  
FIG. 20 is a bottom plan view of the base of the container.

**1 Claim, 20 Drawing Sheets**



**(58) Field of Classification Search**

USPC ..... D9/456; D7/672, 601, 550.1, 551.1,  
 D7/551.2, 551.3, 552.1, 552.2, 553.1,  
 D7/553.2, 553.4, 553.5, 553.7, 553.8,  
 D7/554.1, 554.3, 555, 557, 602, 629, 630,  
 D7/538-542, 612-615, 584, 586, 587,  
 D7/392.1, 709, 502, 608, 622, 701, 703,  
 D7/543-549, 317-319, 391, 392, 396.2,  
 D7/510, 511; D3/273, 201-206, 276,  
 D3/283, 284, 295, 274, 302; D11/143;  
 220/575, 500, 505-507, 523, 553, 555,  
 220/556; 206/216, 217, 541-550, 518,  
 206/557, 558, 561, 564, 223, 467;  
 229/107, 406, 120, 125.17; 249/126,  
 249/134; 426/106; 215/211, 200, 224,  
 215/243  
 CPC .... B65D 85/34; B65D 85/345; B65D 43/161;  
 B65D 43/162; B65D 43/16; B65D 51/28;  
 B65D 2543/00194; B65D 2543/00296;  
 B65D 1/24; B65D 21/0237; B65D  
 2543/00101; B65D 2543/00351; B65D  
 1/36; B65D 2543/00555; B65D  
 2581/3425; B65D 25/04; B65D 43/0218;  
 B65D 2543/00083; B65D 2543/00268;  
 B65D 2543/00277; B65D 81/3453; A47G  
 19/02; A47G 19/065; A47G 23/0608;  
 A47G 23/06

See application file for complete search history.

**(56)**

**References Cited**

U.S. PATENT DOCUMENTS

D488,718	S *	4/2004	Passerini	.....	D9/425
D494,463	S *	8/2004	Tsao	.....	D9/761
D505,082	S *	5/2005	Bruce	.....	D9/429
D530,625	S *	10/2006	Darin	.....	D9/761
D625,180	S *	10/2010	Enriquez	.....	D9/425
D789,798	S *	6/2017	Haddad	.....	D9/652
D815,941	S *	4/2018	Haddad	.....	D9/429
2003/0062365	A1 *	4/2003	Krueger	.....	B65D 21/0219 220/4.24
2003/0152670	A1 *	8/2003	Shih	.....	B65D 43/162 426/106
2007/0196541	A1 *	8/2007	Vovan	.....	B65D 21/0222 426/106
2009/0179039	A1 *	7/2009	Cimmerer	.....	B65D 21/022 220/781
2009/0206090	A1 *	8/2009	Hanson	.....	B65D 1/36 220/526
2010/0320210	A1	12/2010	Cimmerer		
2013/0175269	A1 *	7/2013	Chen	.....	B65D 43/0208 220/200
2013/0175284	A1 *	7/2013	Chen	.....	B65D 43/0208 220/780
2014/0183190	A1 *	7/2014	Tyberghein	.....	B65D 25/10 220/23.89
2016/0016690	A1 *	1/2016	Lam	.....	B65D 25/04 220/523

\* cited by examiner

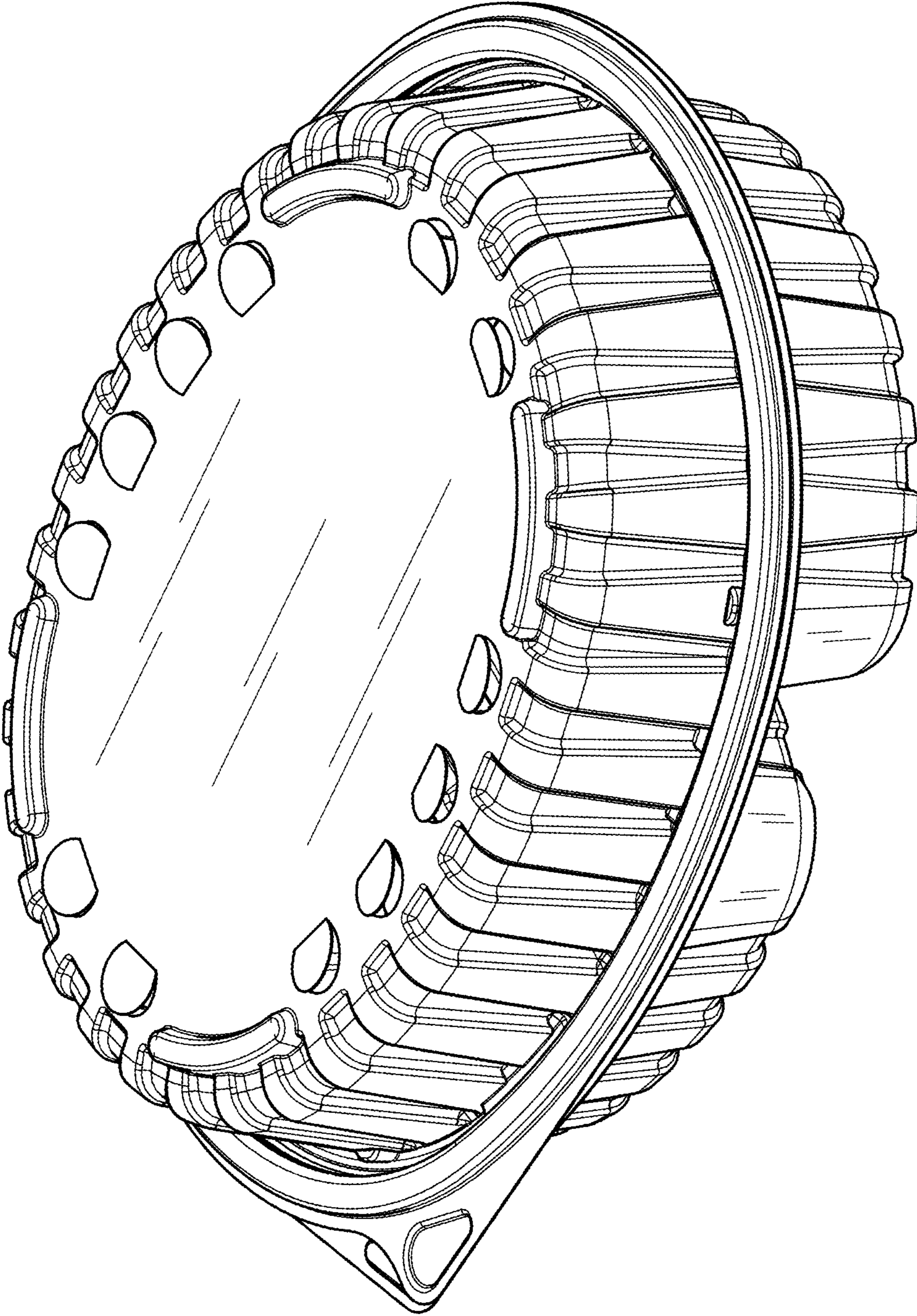


FIG. 1

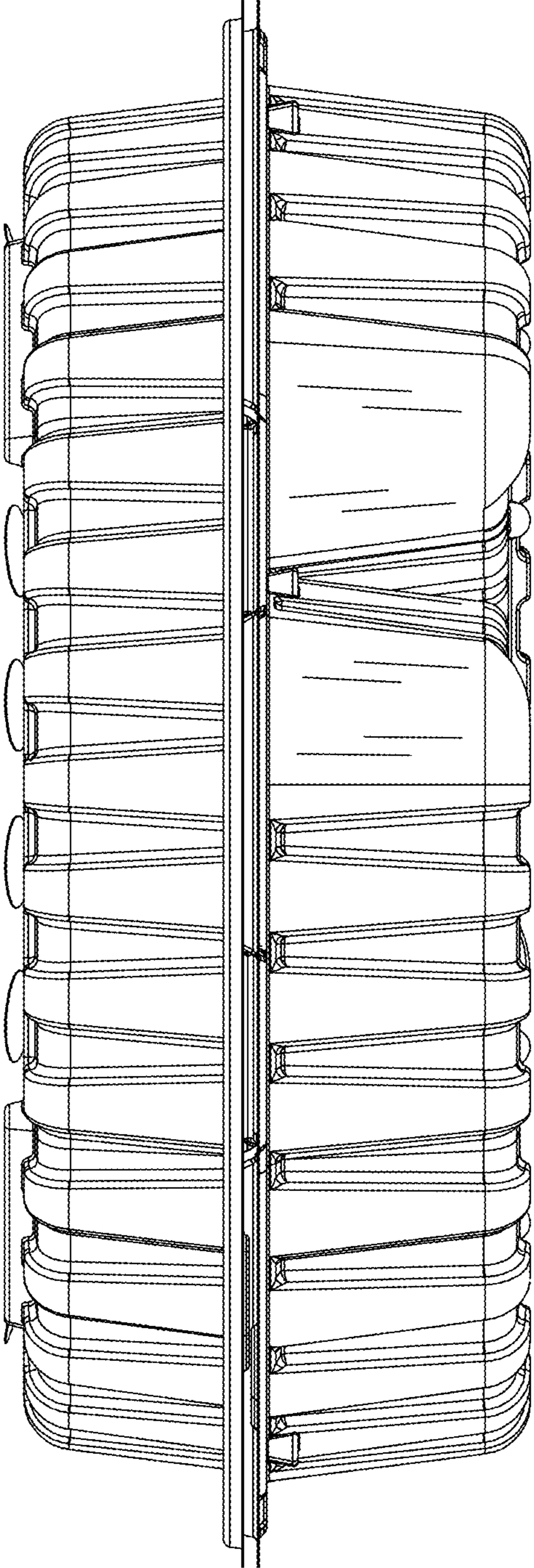


FIG. 2

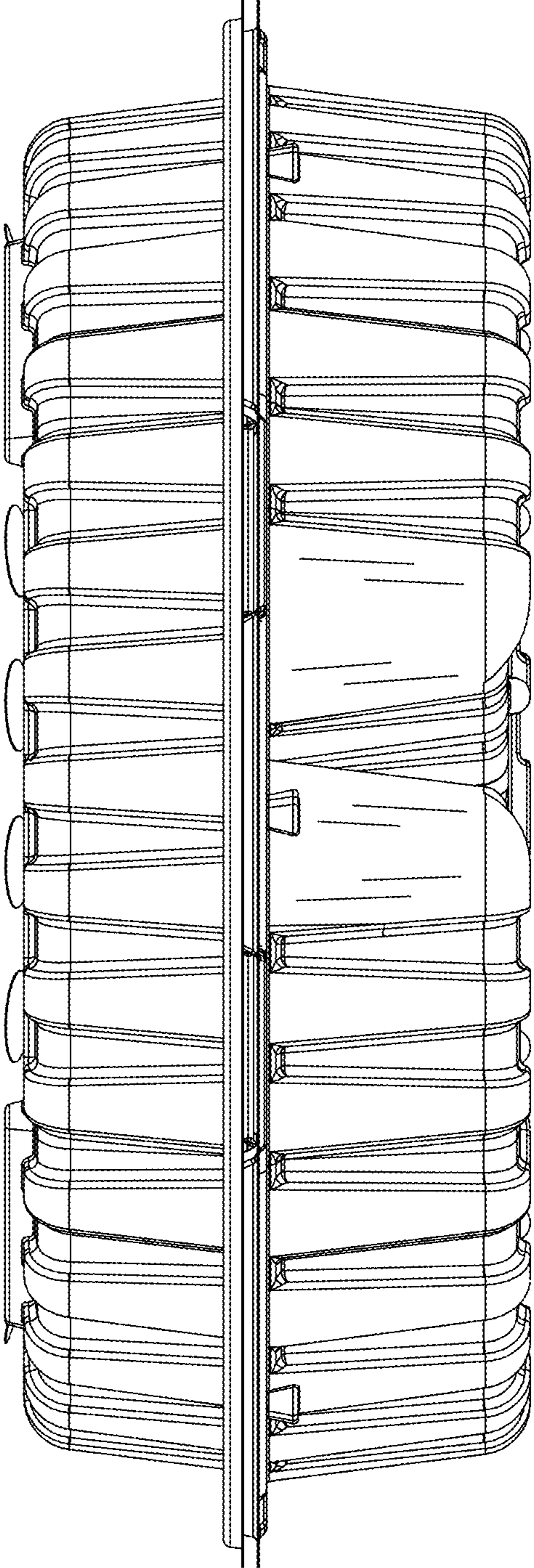


FIG. 3

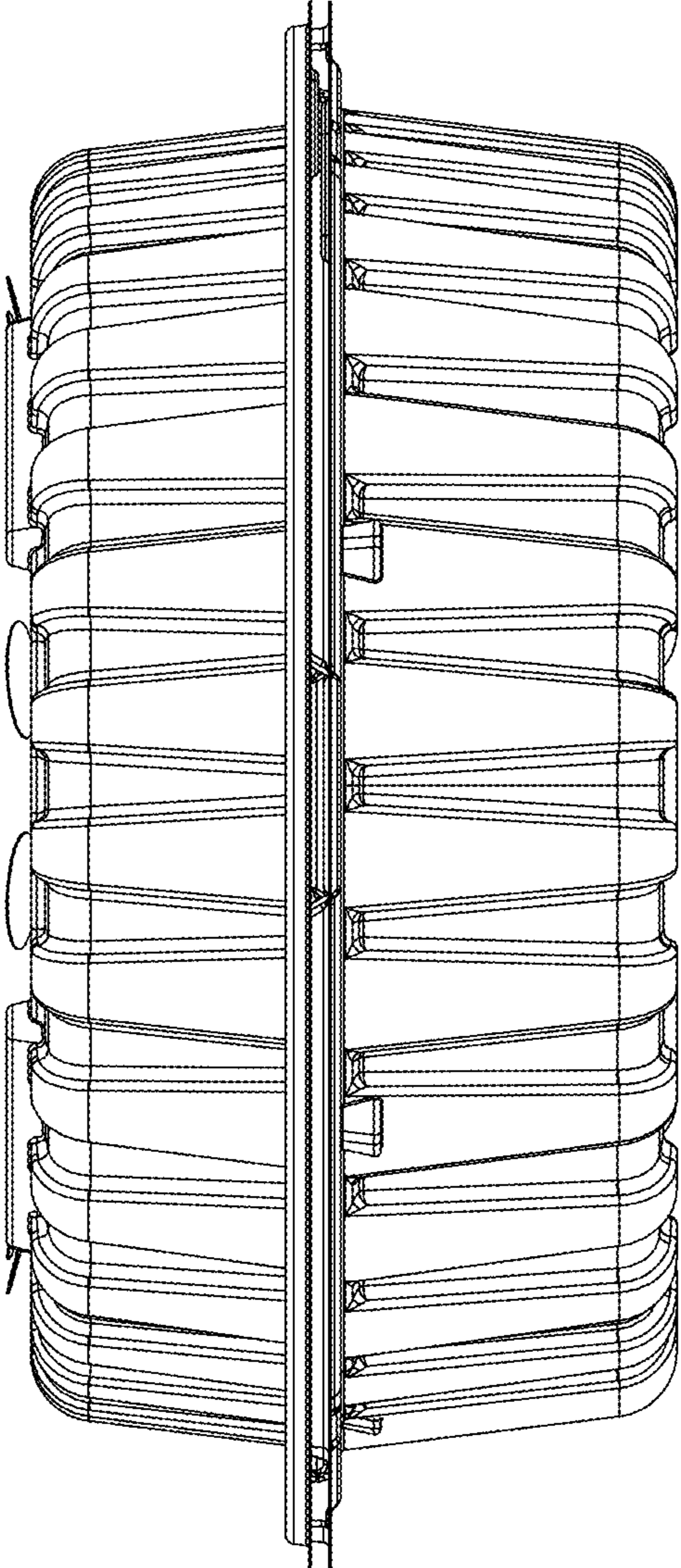


FIG. 4

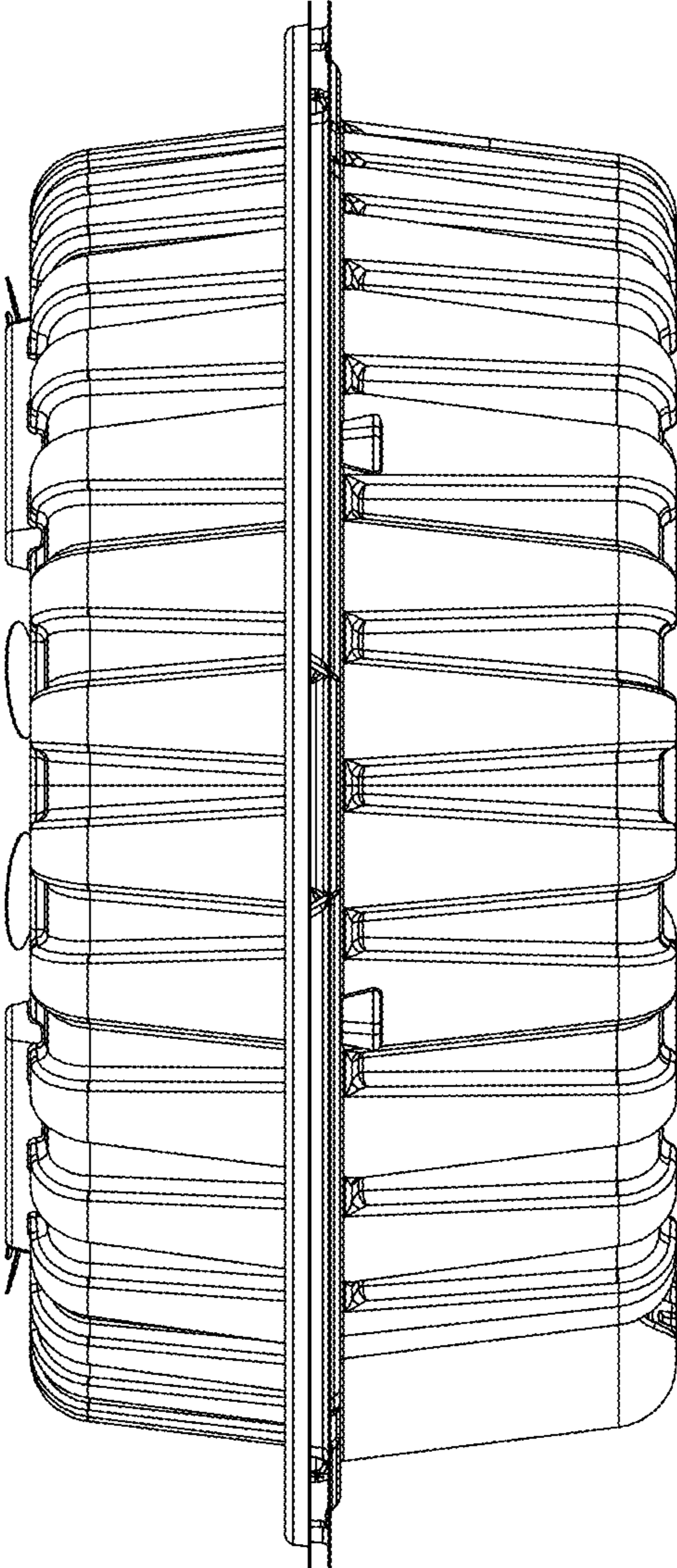


FIG. 5

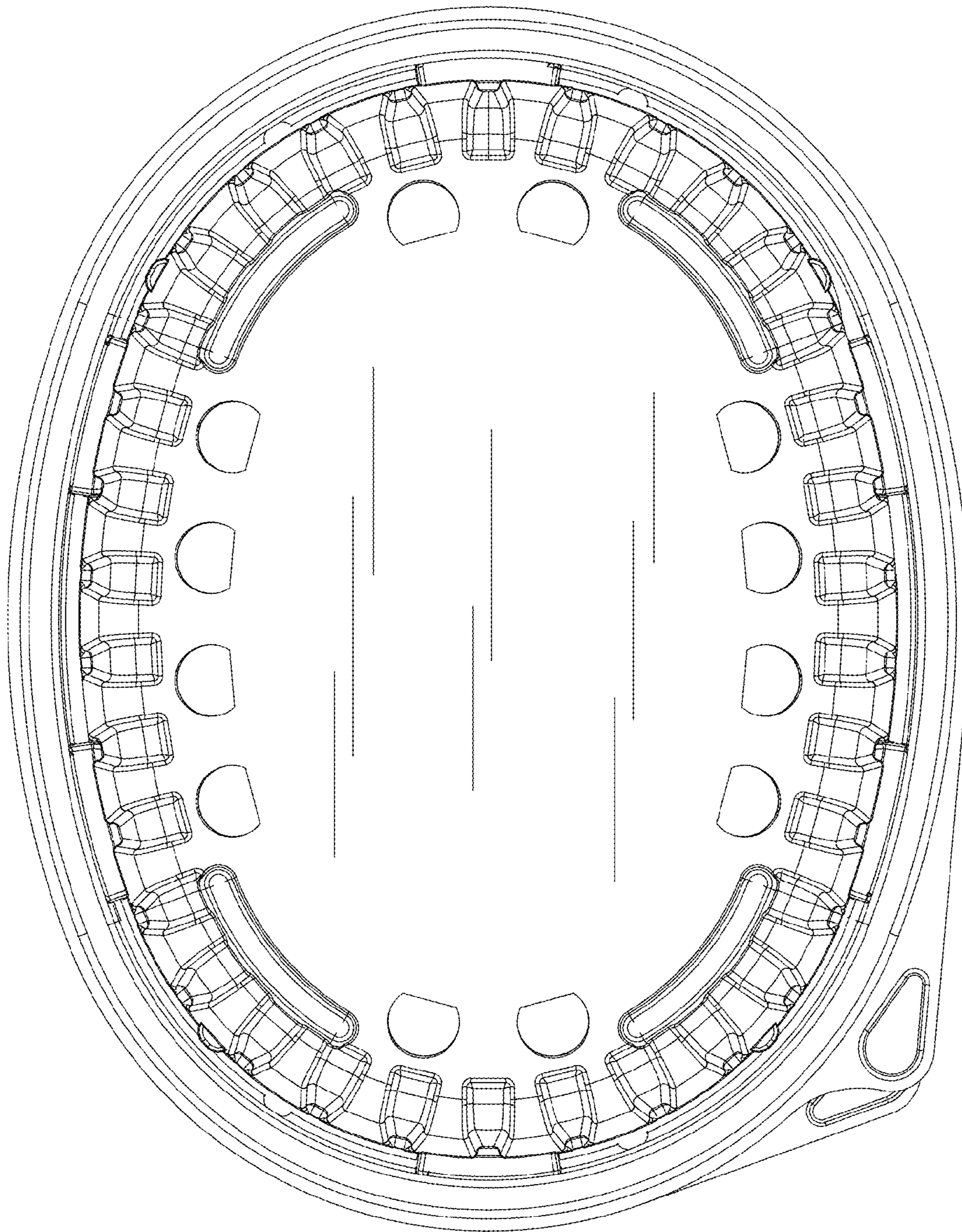


FIG. 6



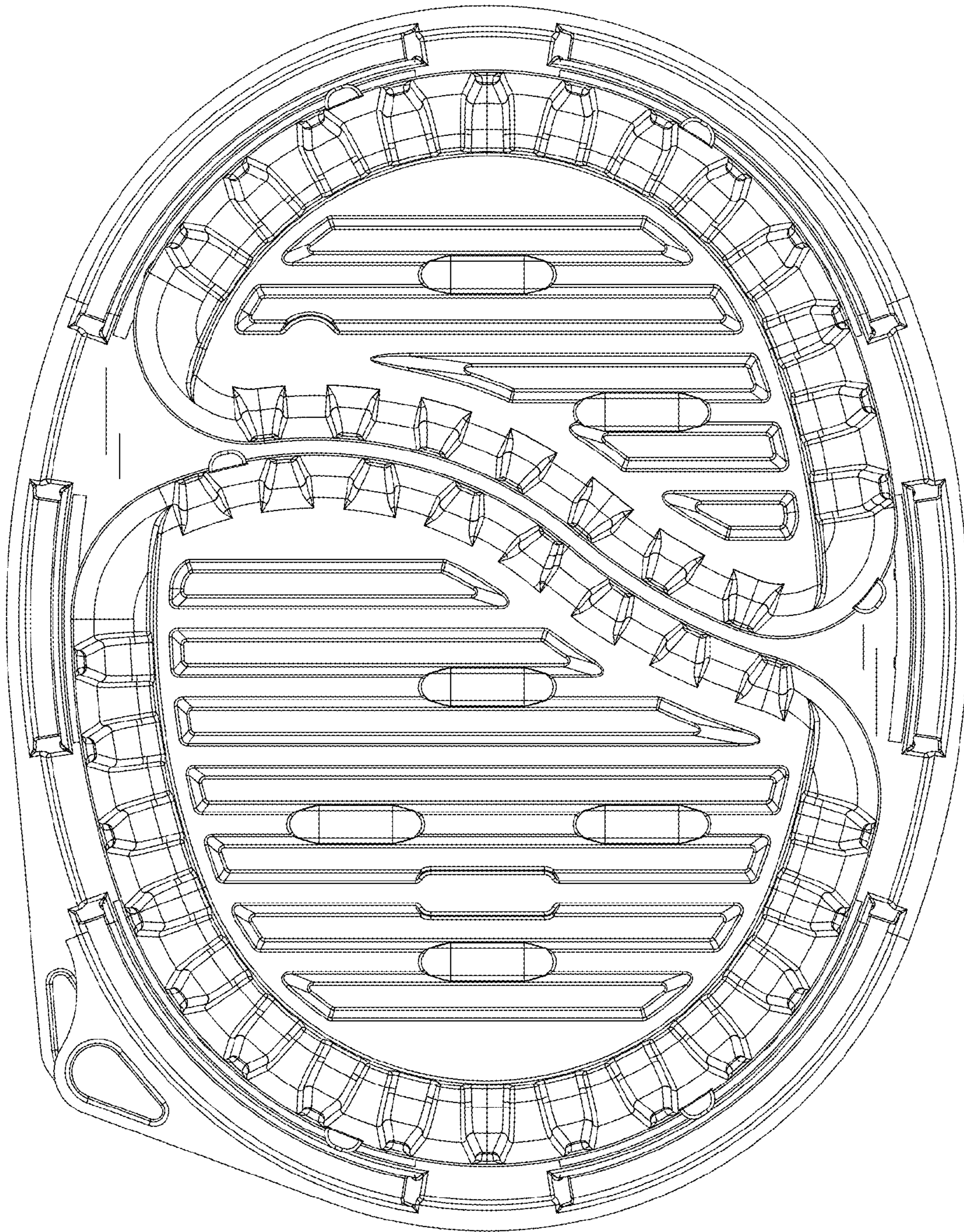


FIG. 7

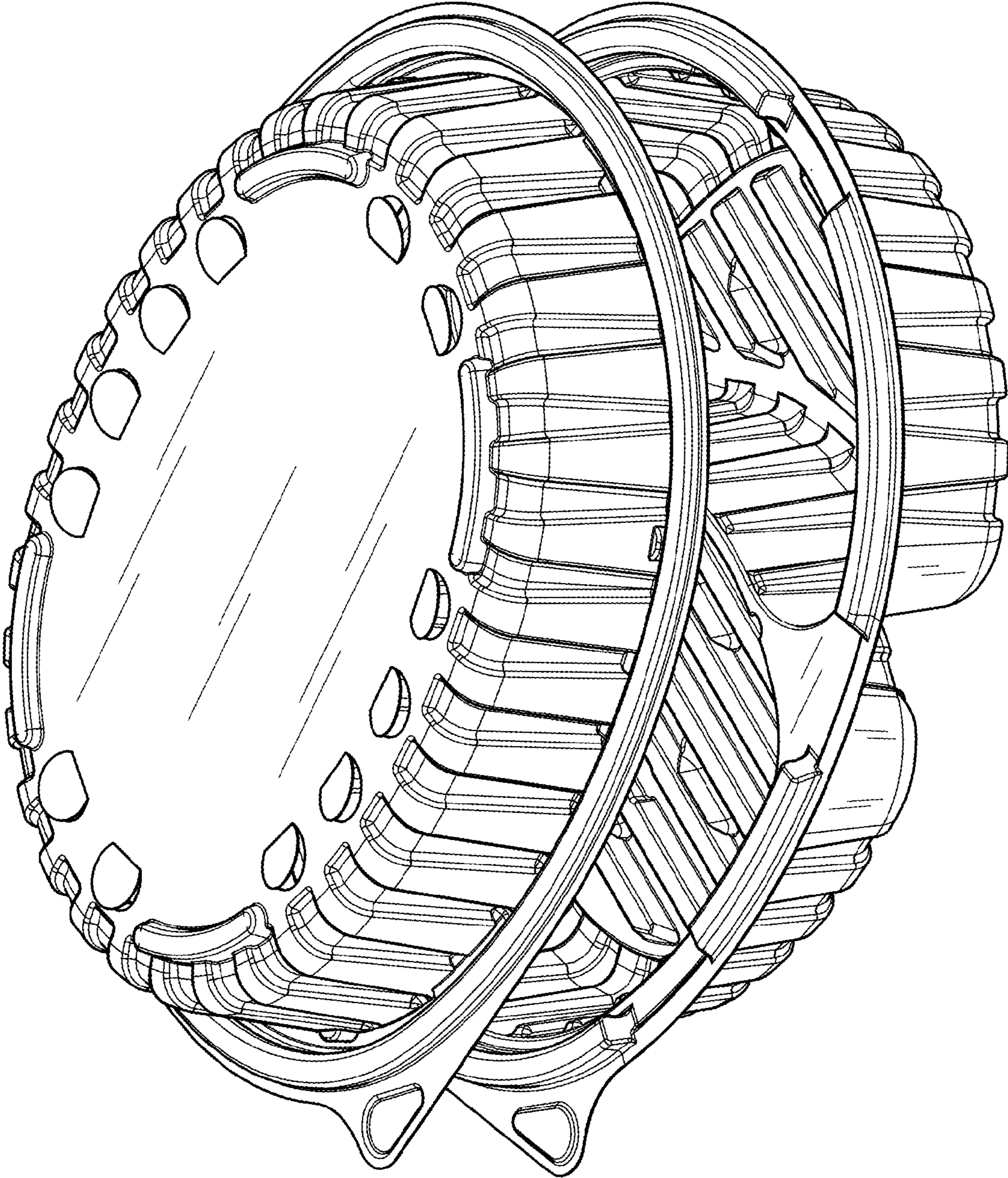


FIG. 8

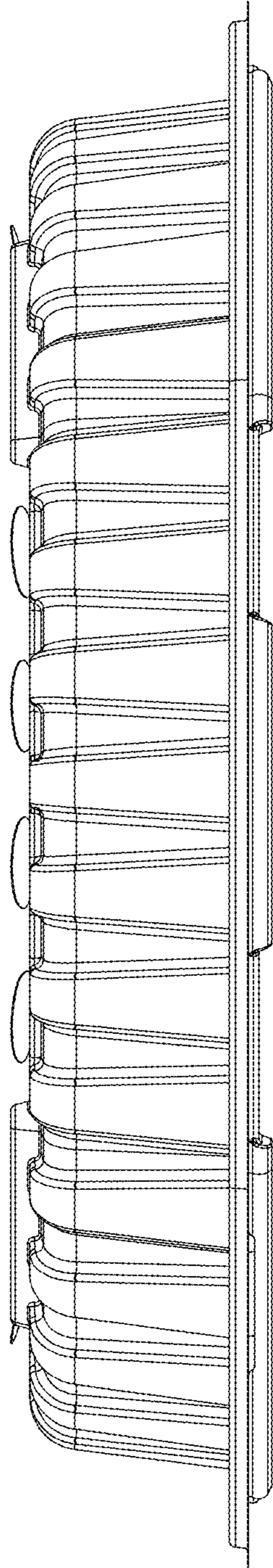


FIG. 9

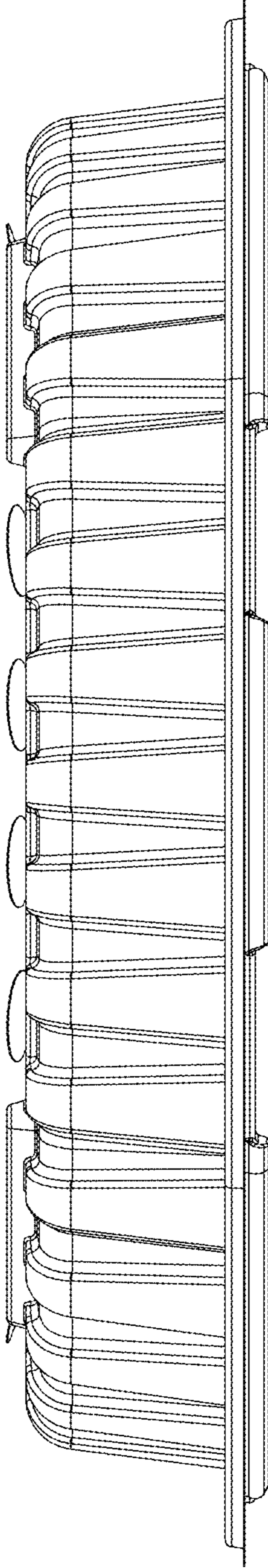


FIG. 10

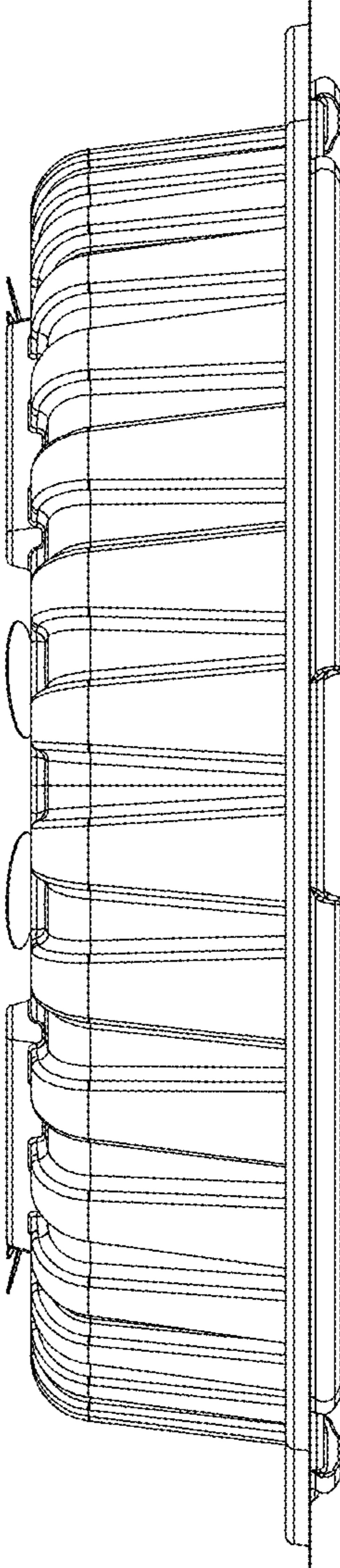


FIG. 11

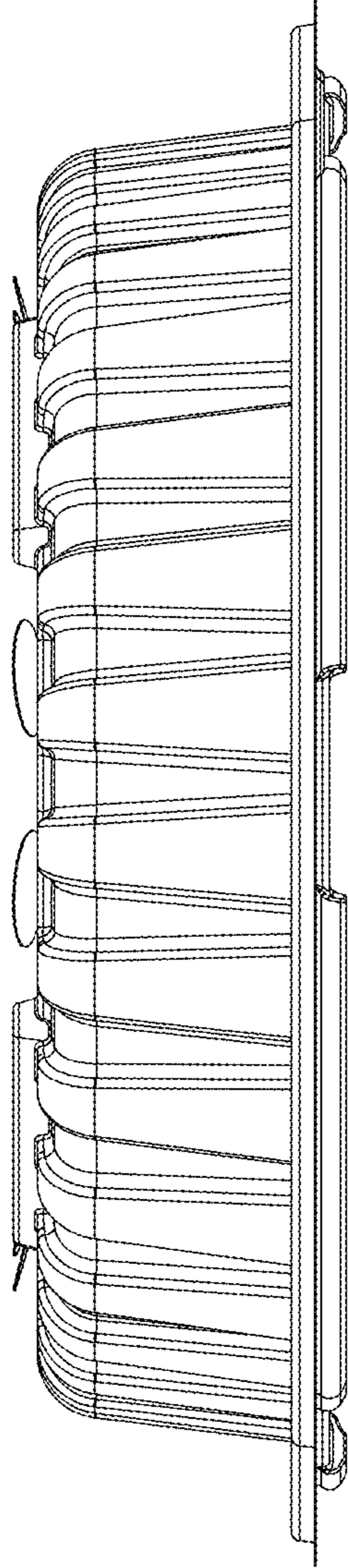


FIG. 12

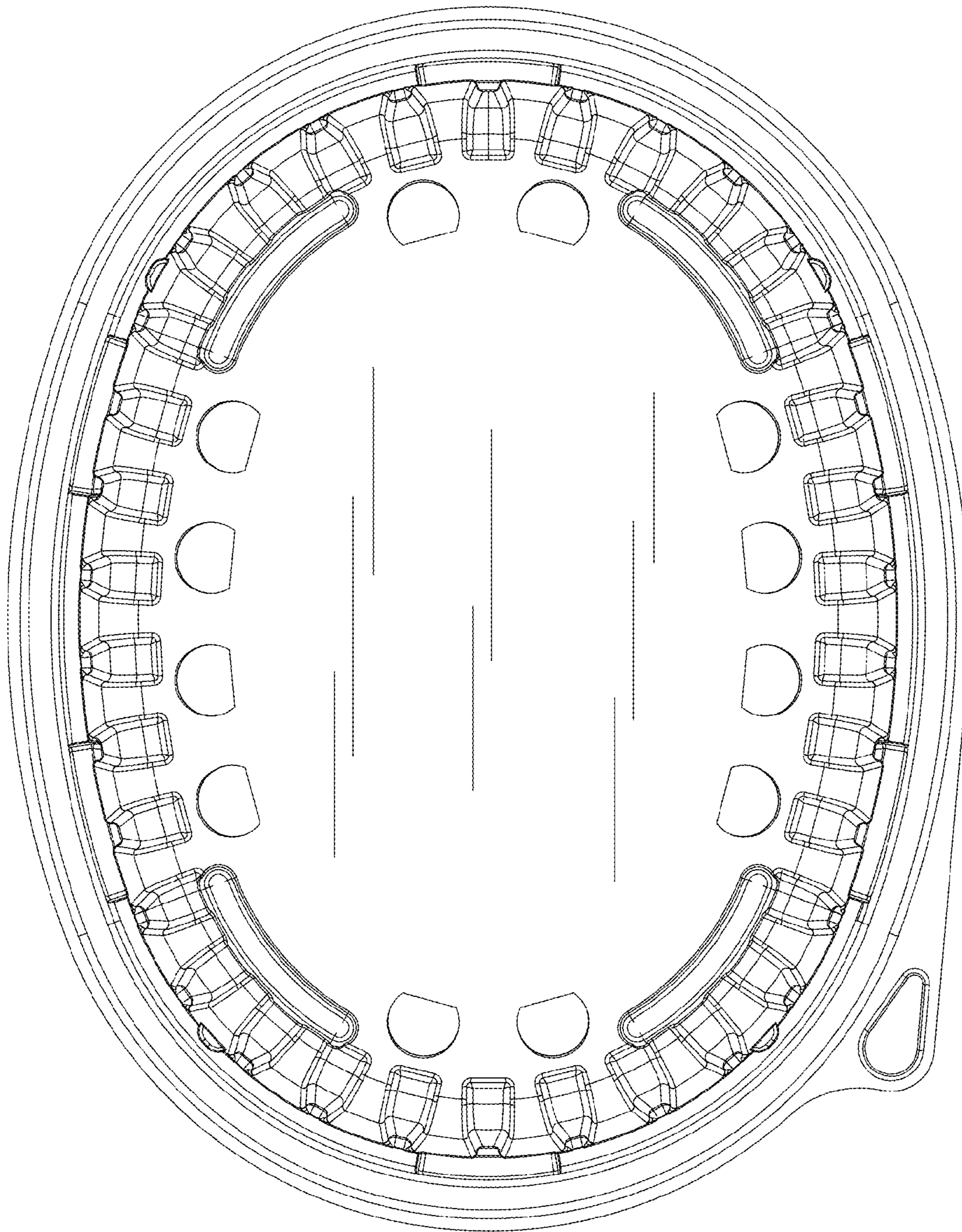


FIG. 13

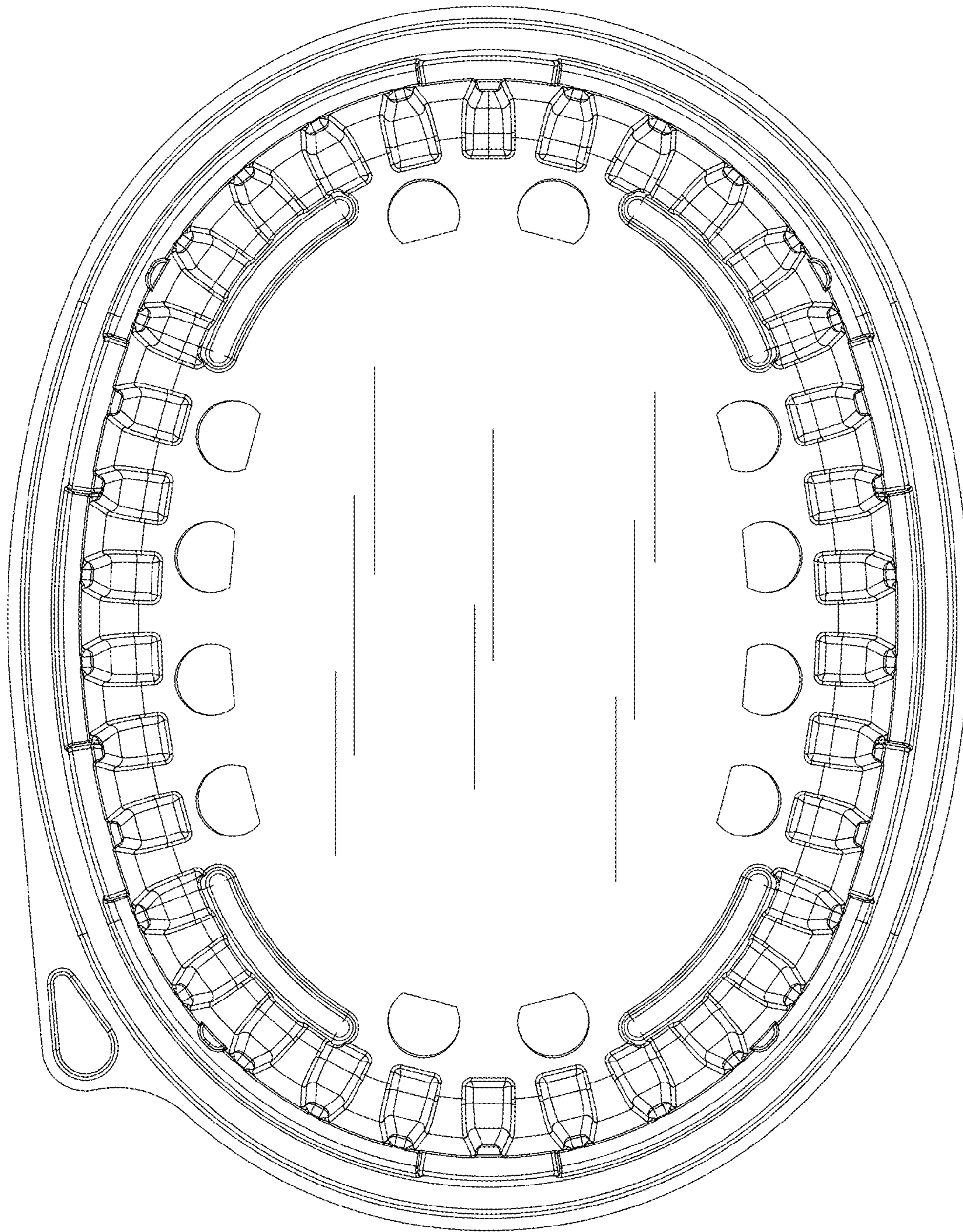


FIG. 14



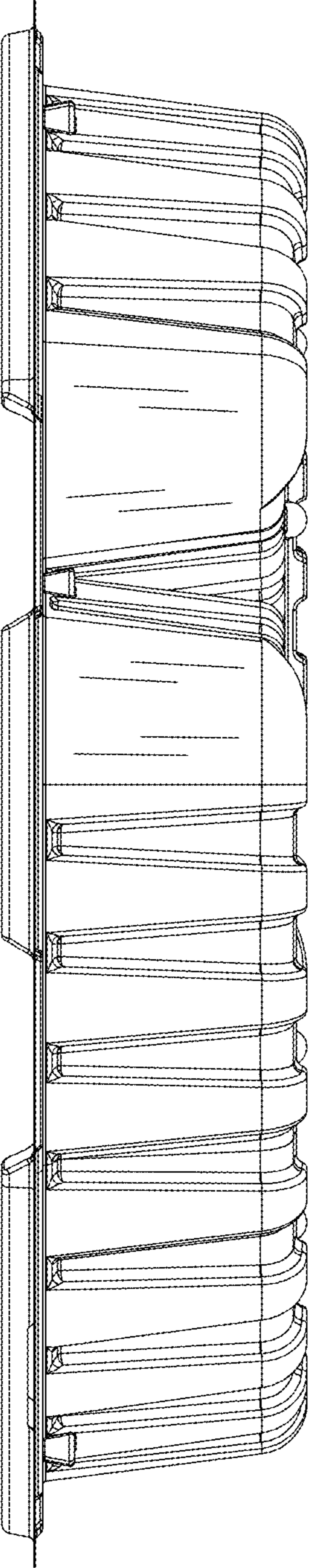


FIG. 15

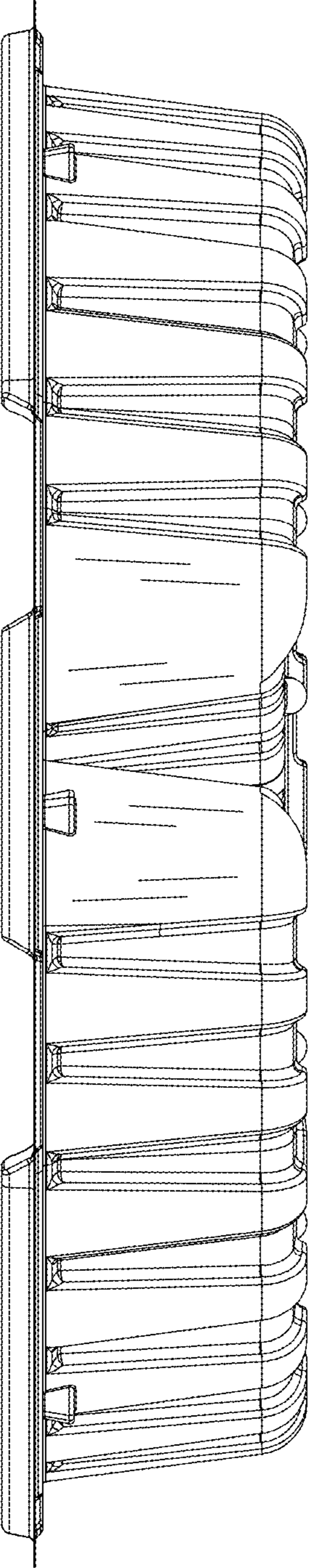


FIG. 16

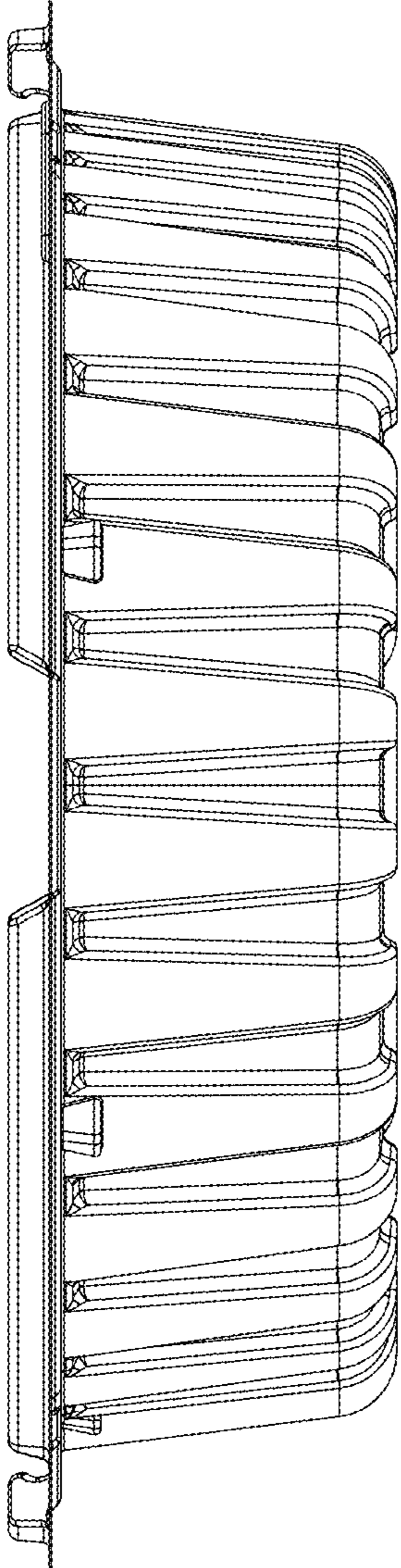


FIG. 17

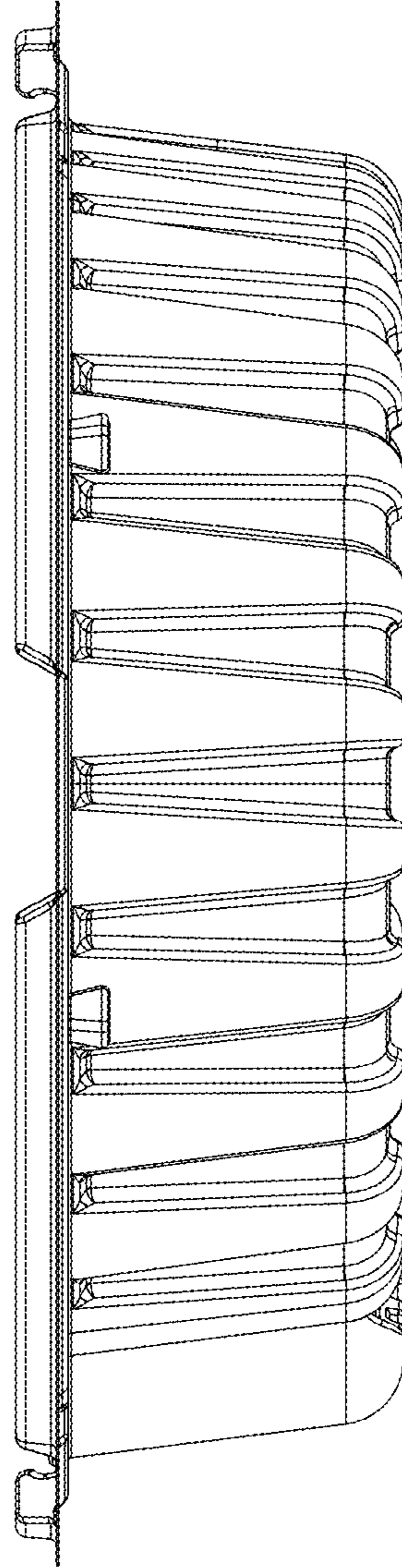


FIG. 18

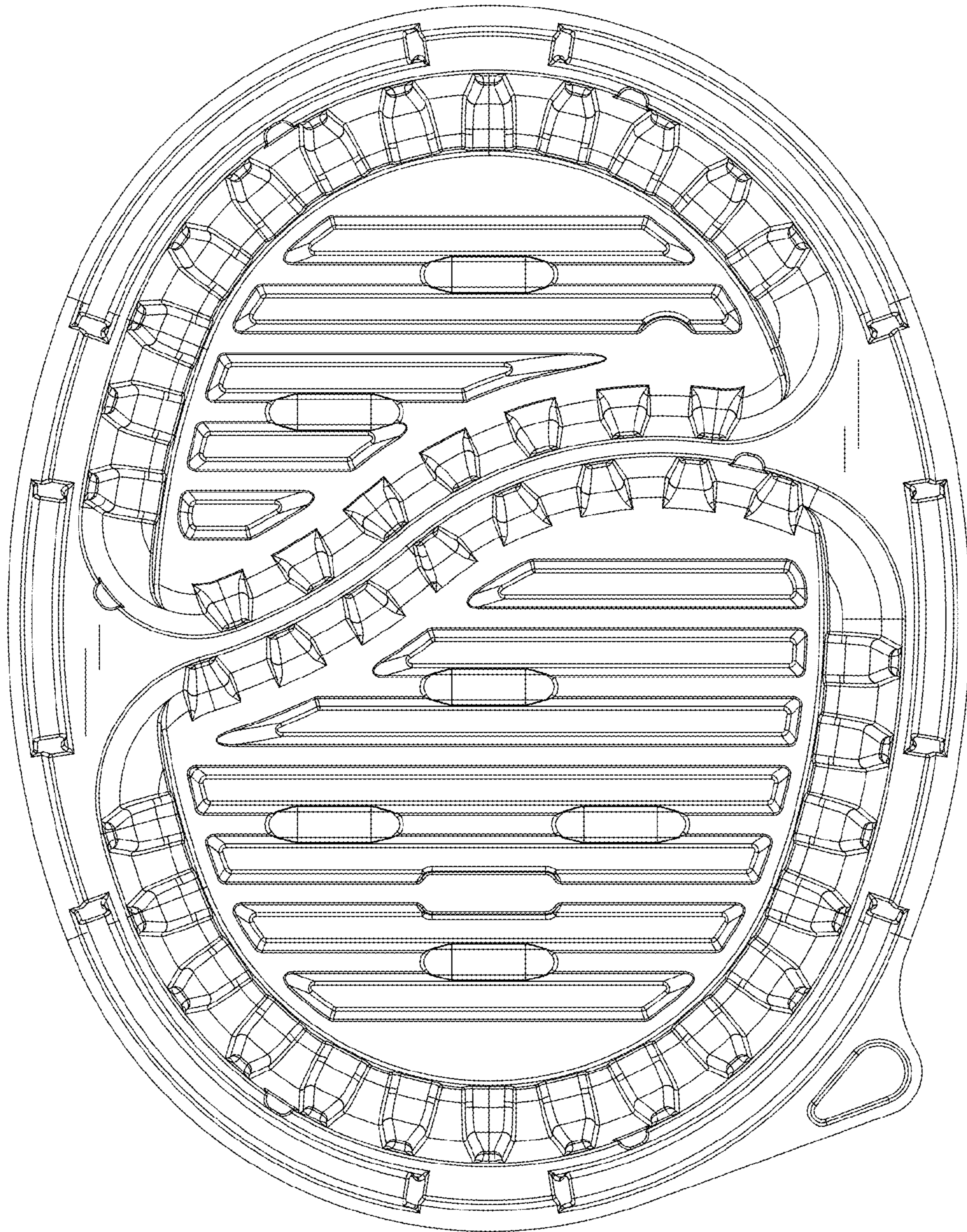


FIG. 19

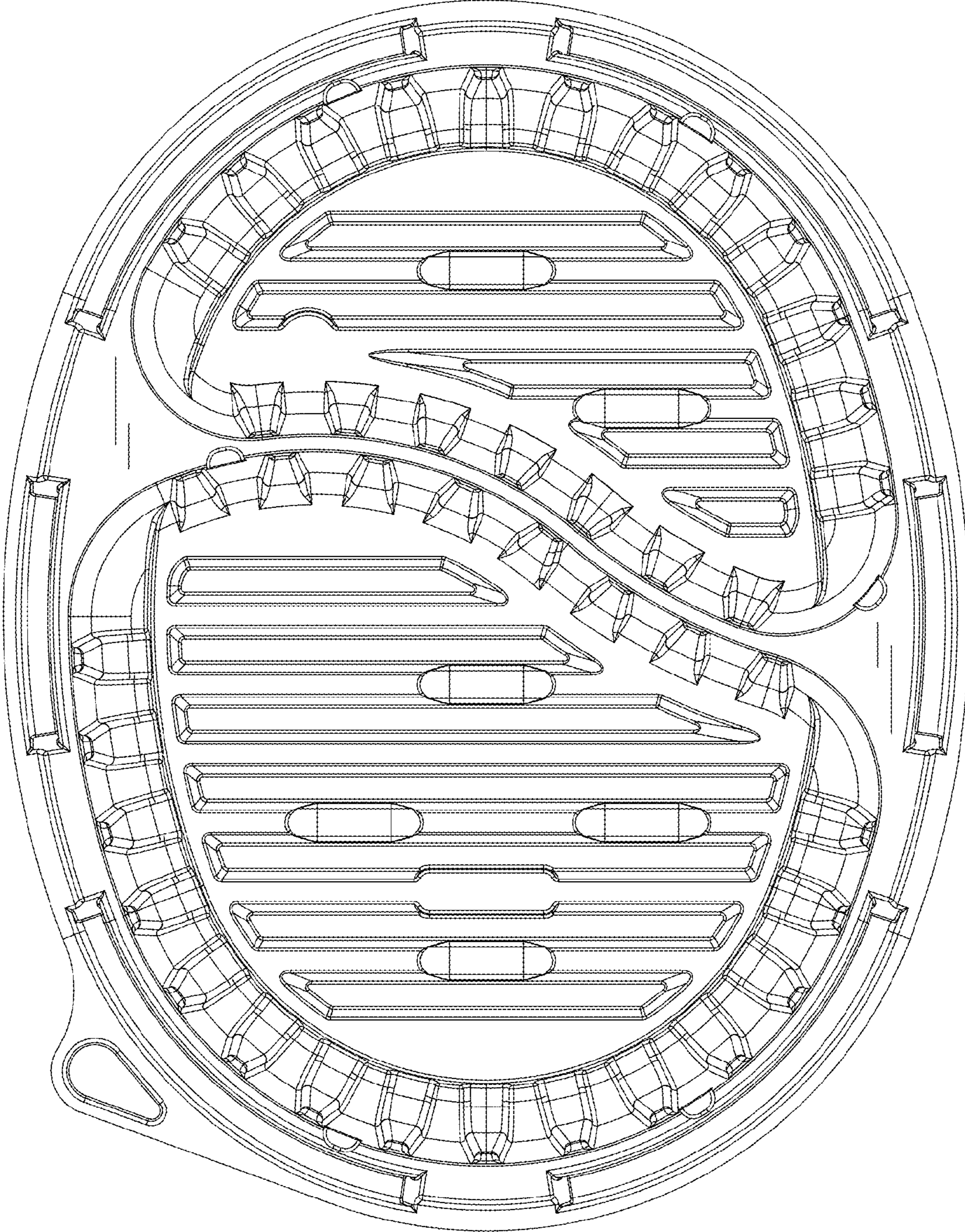


FIG. 20