



US00D874943S

(12) **United States Design Patent** (10) **Patent No.:** **US D874,943 S**
Stabinsky et al. (45) **Date of Patent:** **** Feb. 11, 2020**

(54) **LIQUID DISPENSER**

2200/053; A45D 19/0008; A45D 40/065;
A45D 29/12; A45D 40/0075; A61M
35/003; A61M 35/00; A61M 2210/04;
B65D 83/285; B65D 35/36; B65D 83/00

(71) Applicants: **Nicholas Stabinsky**, Glenview, IL
(US); **Collin Anderson**, Chicago, IL
(US); **Tony Abfall**, Mount Prospect, IL
(US); **Johan G. Abadie**, Palatine, IL
(US)

See application file for complete search history.

(72) Inventors: **Nicholas Stabinsky**, Glenview, IL
(US); **Collin Anderson**, Chicago, IL
(US); **Tony Abfall**, Mount Prospect, IL
(US); **Johan G. Abadie**, Palatine, IL
(US)

(56) **References Cited**

U.S. PATENT DOCUMENTS

D199,959	S	*	1/1965	Hulsh	D4/114
3,428,238	A	*	2/1969	Rapp	B29C 57/12 215/379
D221,602	S	*	8/1971	Neis	D3/200
D228,824	S	*	10/1973	van Lelyveld	D28/51
D320,311	S	*	10/1991	Kuhn	D3/200
D342,677	S	*	12/1993	Cazaudehore	D9/529
D346,958	S	*	5/1994	Olson	D32/35
D356,397	S	*	3/1995	Chi	D28/85
D362,626	S	*	9/1995	Rossi	D9/529

(Continued)

(73) Assignee: **Digital Innovations LLC**, Arlington Heights, IL (US)

(**) Term: **15 Years**

Primary Examiner — Lauren R Calve

(21) Appl. No.: **29/545,705**

(74) *Attorney, Agent, or Firm* — Clifford H. Kraft

(22) Filed: **Nov. 16, 2015**

Related U.S. Application Data

(62) Division of application No. 29/477,167, filed on Dec. 19, 2013, now Pat. No. Des. 743,273.

(51) **LOC (12) Cl.** **09-01**

(52) **U.S. Cl.**
USPC **D9/719; D9/723**

(58) **Field of Classification Search**

USPC D9/715, 719, 721, 416, 723, 724, 726,
D9/502, 740, 730, 733; D3/201, 203.1;
D28/7
CPC A45D 34/04; A45D 40/265; A45D 40/26;
A45D 34/045; A45D 34/041; A45D
2200/1036; A45D 40/18; A45D 40/0087;
A45D 40/00; A45D 40/28; A45D
2200/1045; A45D 40/261; A45D 40/02;
A45D 33/00; A45D 40/06; A45D
2034/005; A45D 2200/051; A45D 33/02;
A45D 34/00; A45D 2200/1072; A45D
2019/0066; A45D 2040/0012; A45D

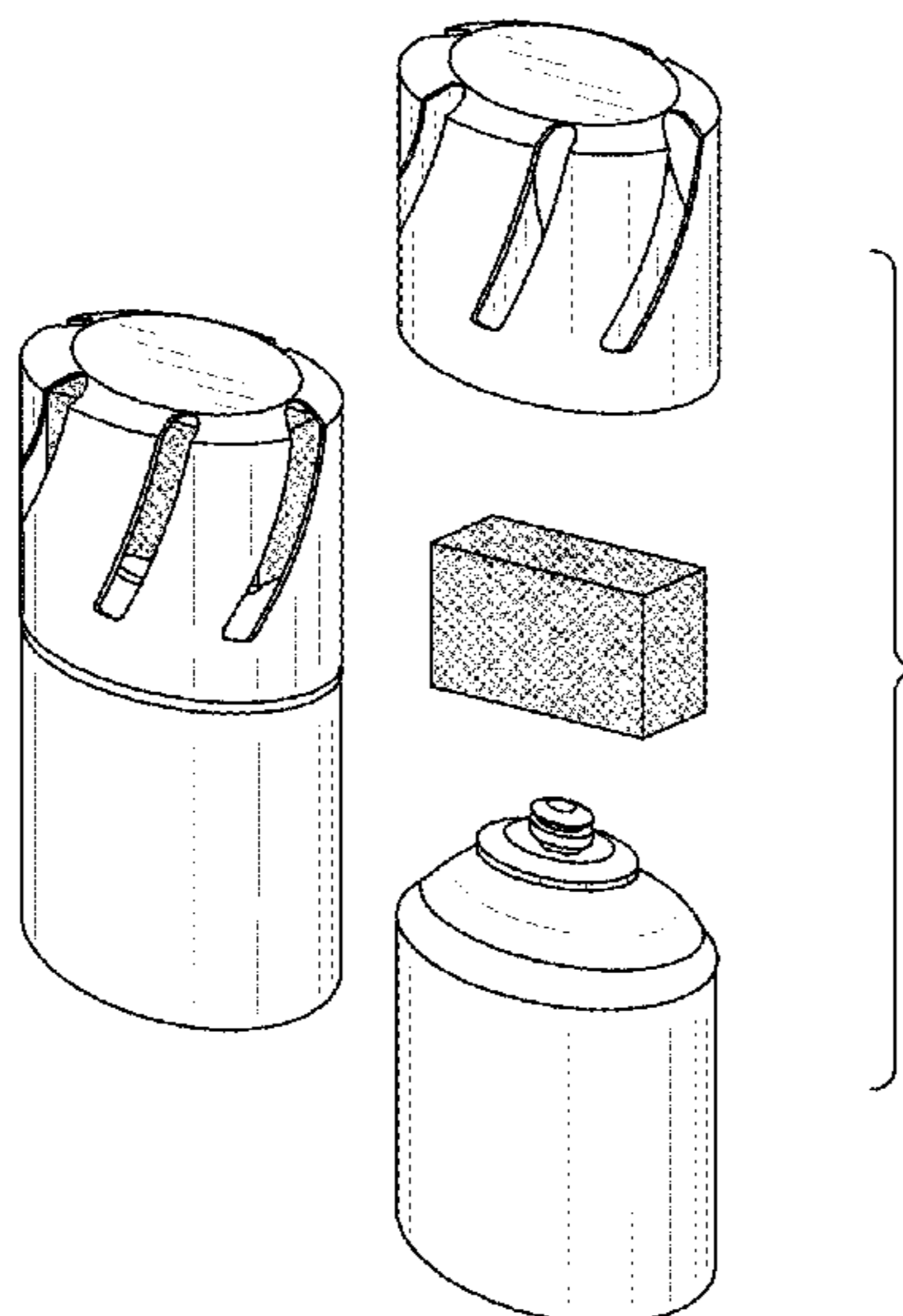
(57) **CLAIM**

The ornamental design for a liquid dispenser, as shown and described.

DESCRIPTION

FIG. 1 is a perspective view of a liquid dispenser showing our new design.
FIG. 2 is an exploded view thereof.
FIG. 3 is a front view of FIG. 1, the back view being identical.
FIG. 4 is a left side view thereof, the right side view being identical.
FIG. 5 is a top view thereof; and,
FIG. 6 is a bottom view thereof.
The broken lines shown represent unclaimed subject matter and form no part of the claimed design.

1 Claim, 3 Drawing Sheets



(56)

References Cited

U.S. PATENT DOCUMENTS

D400,787 S * 11/1998 Keener D9/719
D411,409 S * 6/1999 Wallays D7/391
D479,801 S * 9/2003 Carmichael D7/401.1
D541,659 S * 5/2007 Fischer D9/453
D555,012 S * 11/2007 Yamauchi D9/724
D562,151 S * 2/2008 Larocca D9/529
D579,164 S * 10/2008 Cheng D32/35
D604,166 S * 11/2009 Gallo D24/110
D628,381 S * 12/2010 Murphy D3/274
8,123,426 B2 * 2/2012 Byun B65D 35/36
401/202
D687,494 S * 8/2013 McVay-Kaiser D19/141
8,585,309 B2 * 11/2013 Song A45D 34/04
401/202
D698,264 S * 1/2014 Schwall D9/551
D699,410 S * 2/2014 Stachowski D32/35
8,683,642 B2 * 4/2014 Weng B08B 3/08
15/118
D743,273 S * 11/2015 Anderson D9/719
D744,856 S * 12/2015 Stabinsky D9/719
D756,802 S * 5/2016 Holbrook D9/723
D820,039 S * 6/2018 Fitzsimons D7/392.1
D820,094 S * 6/2018 Morgan D9/529
2005/0039272 A1 * 2/2005 Miczewski A45D 19/00
8/405
2011/0052307 A1 * 3/2011 Weng A47L 25/00
401/139
2013/0189018 A1 * 7/2013 Choi A45D 34/042
401/269

* cited by examiner

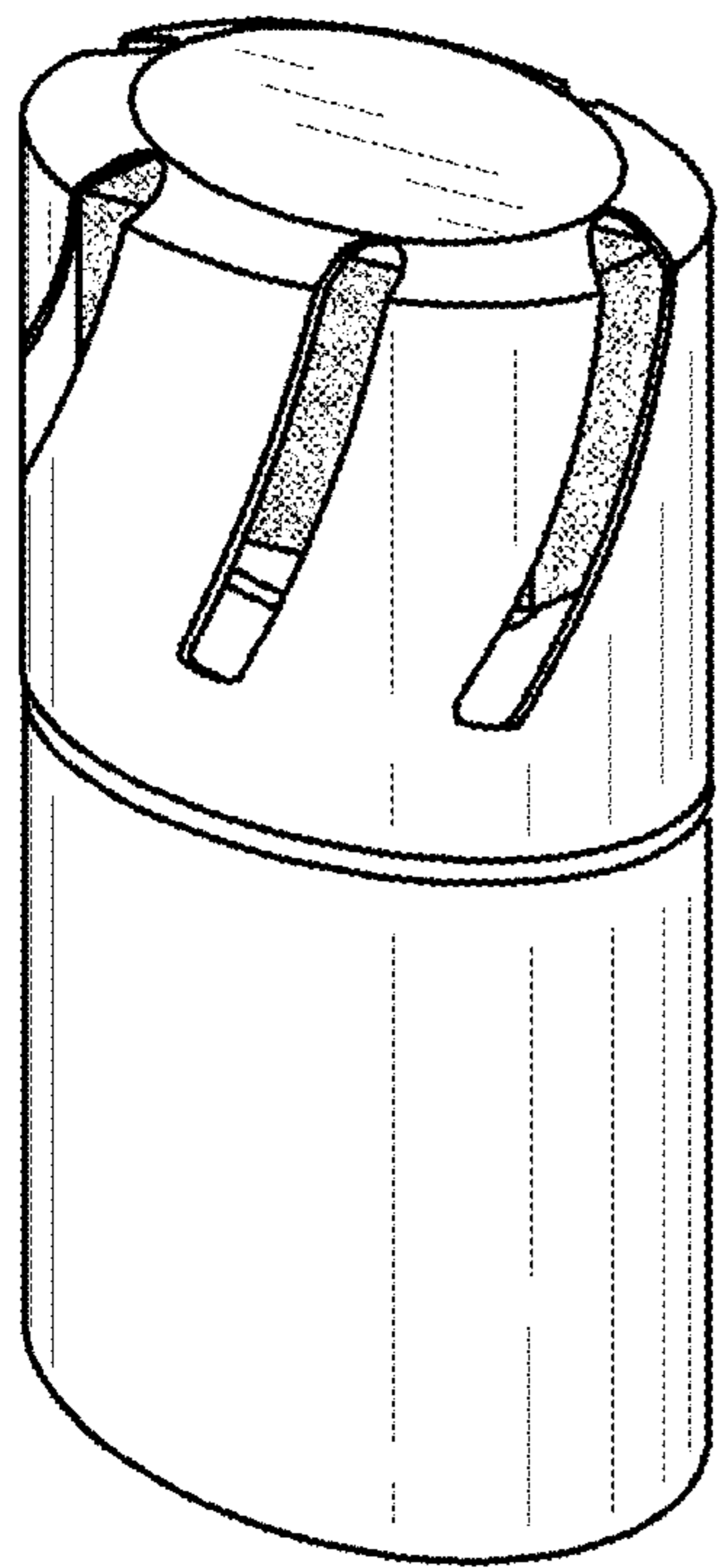


Fig. 1

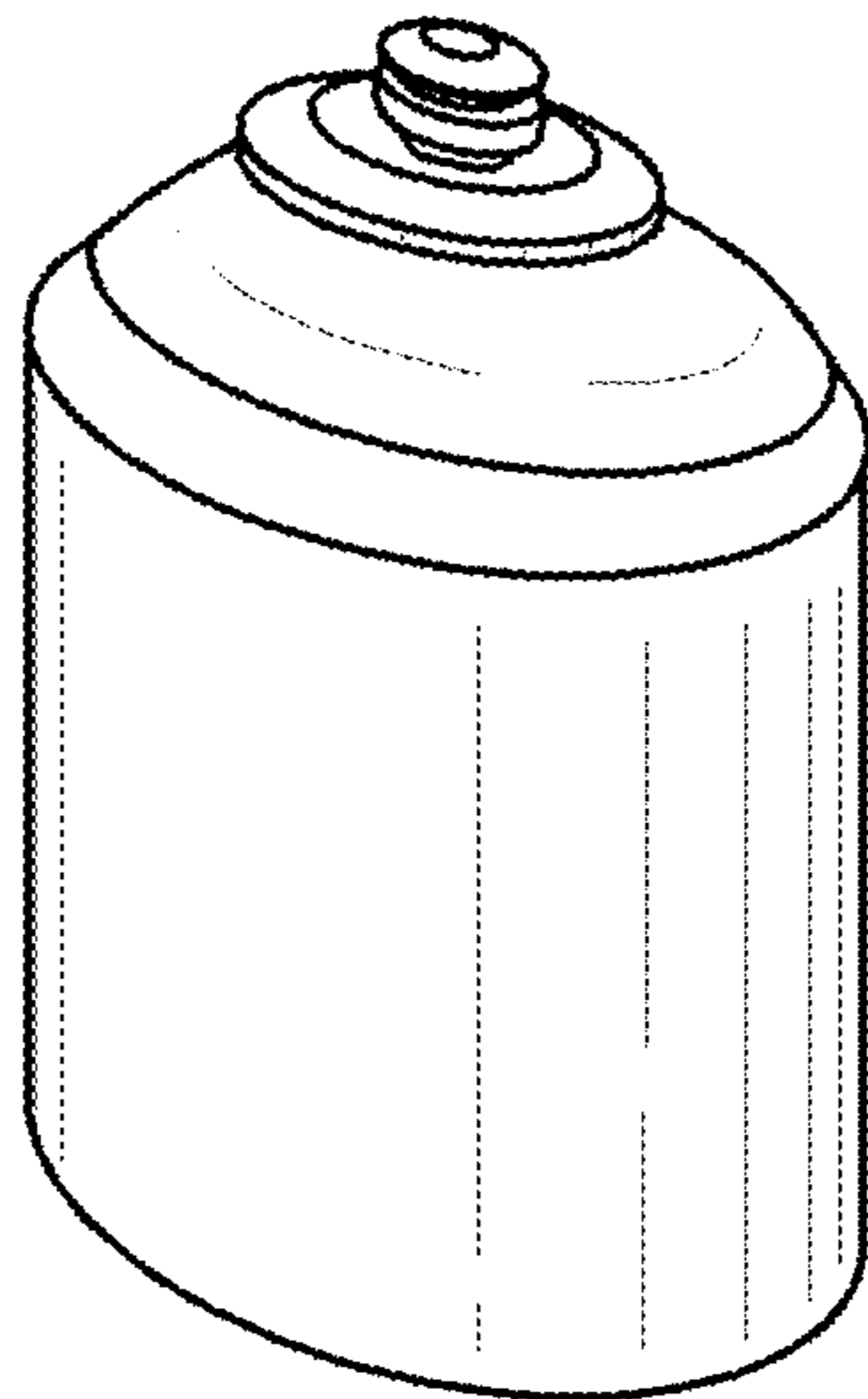
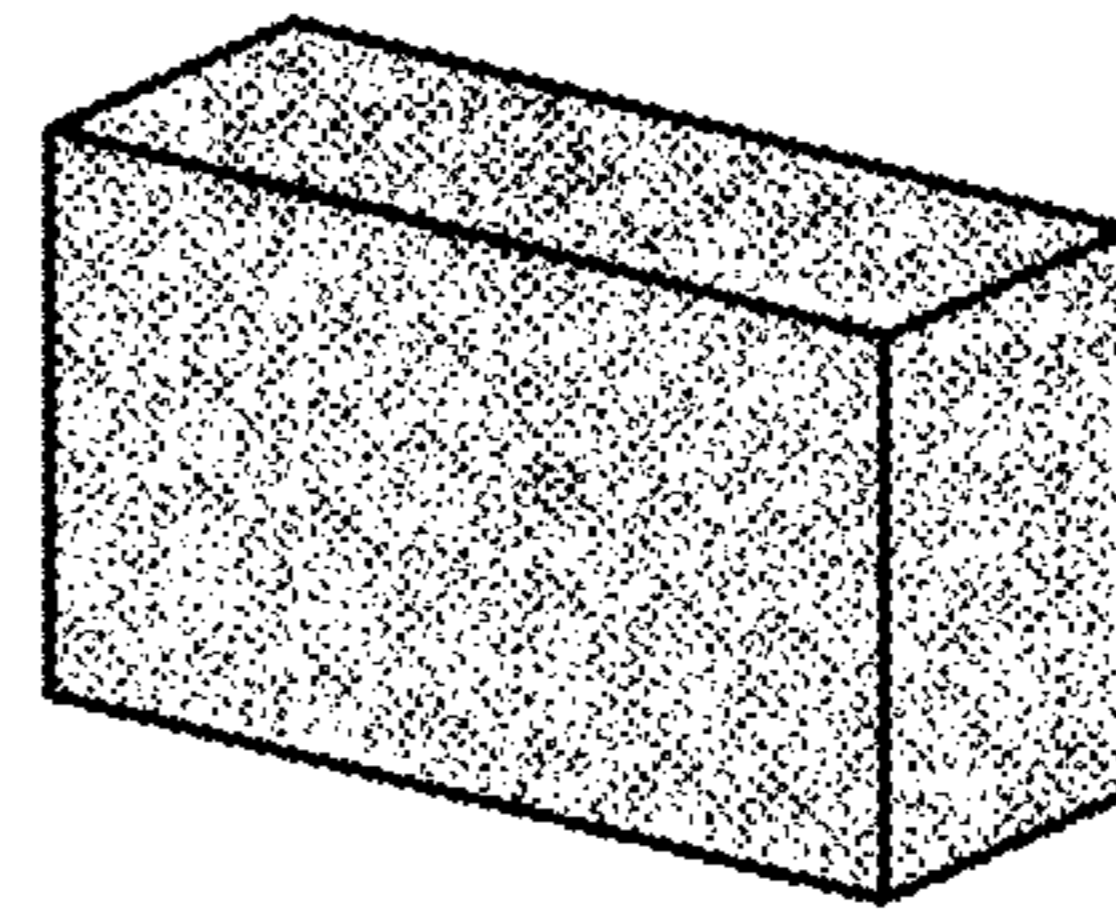
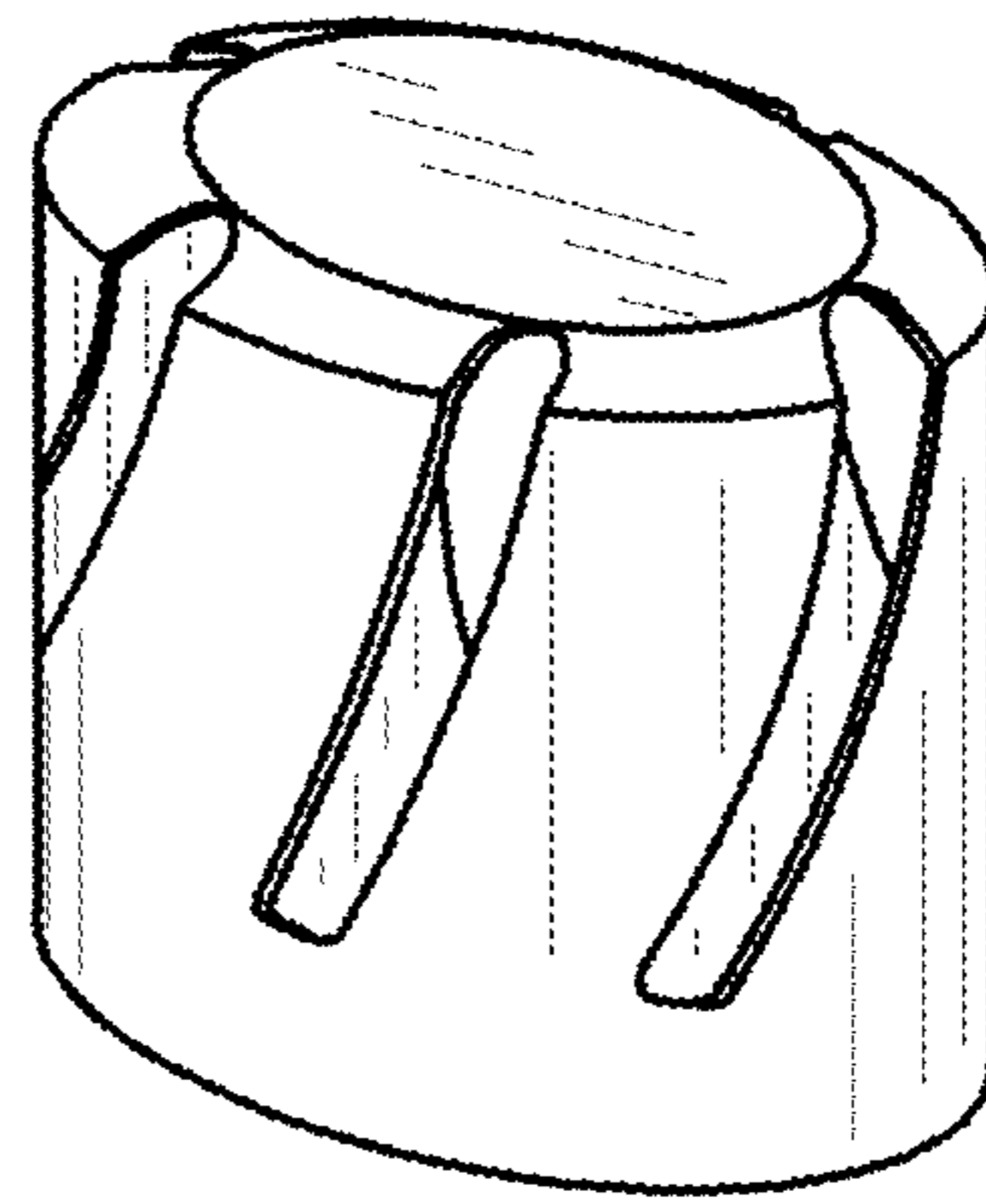


Fig. 2

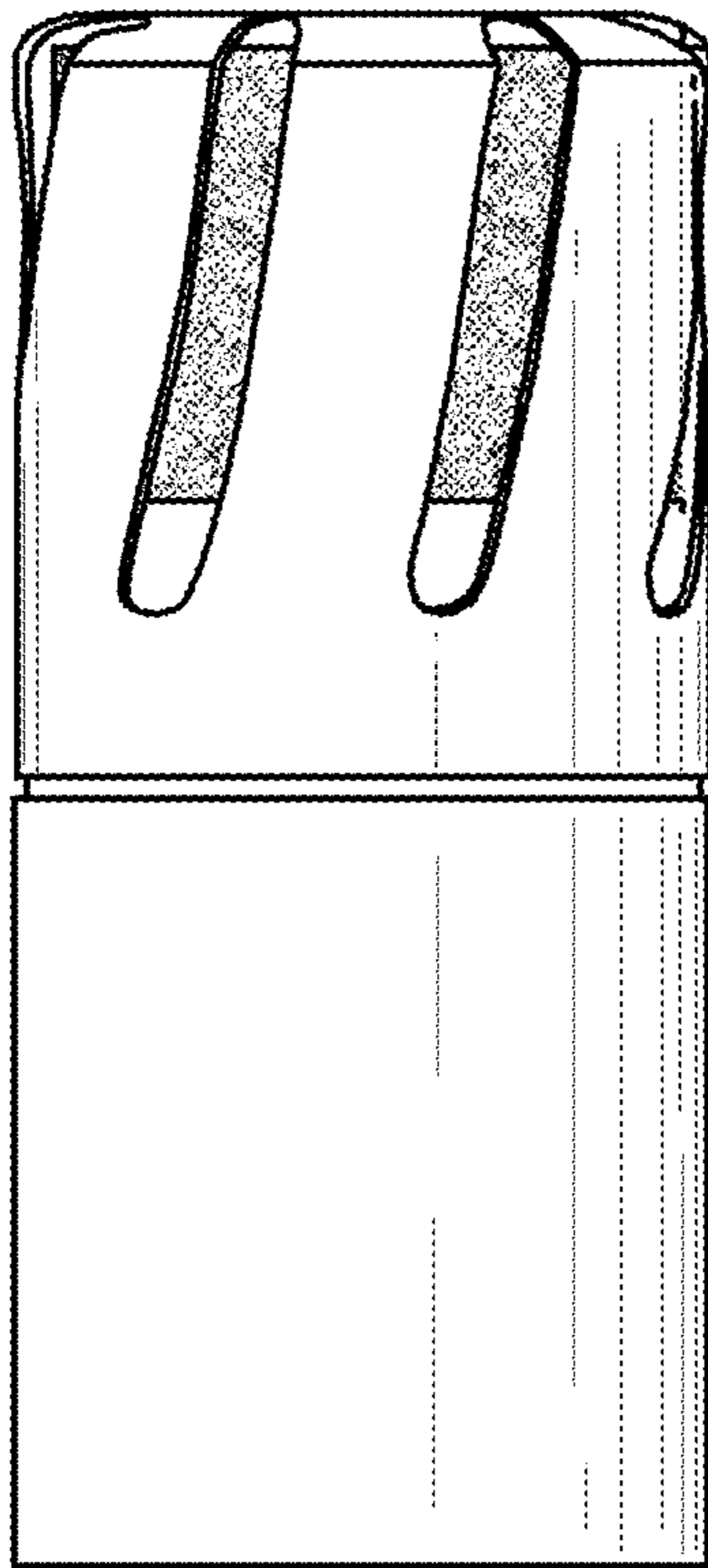


Fig. 3

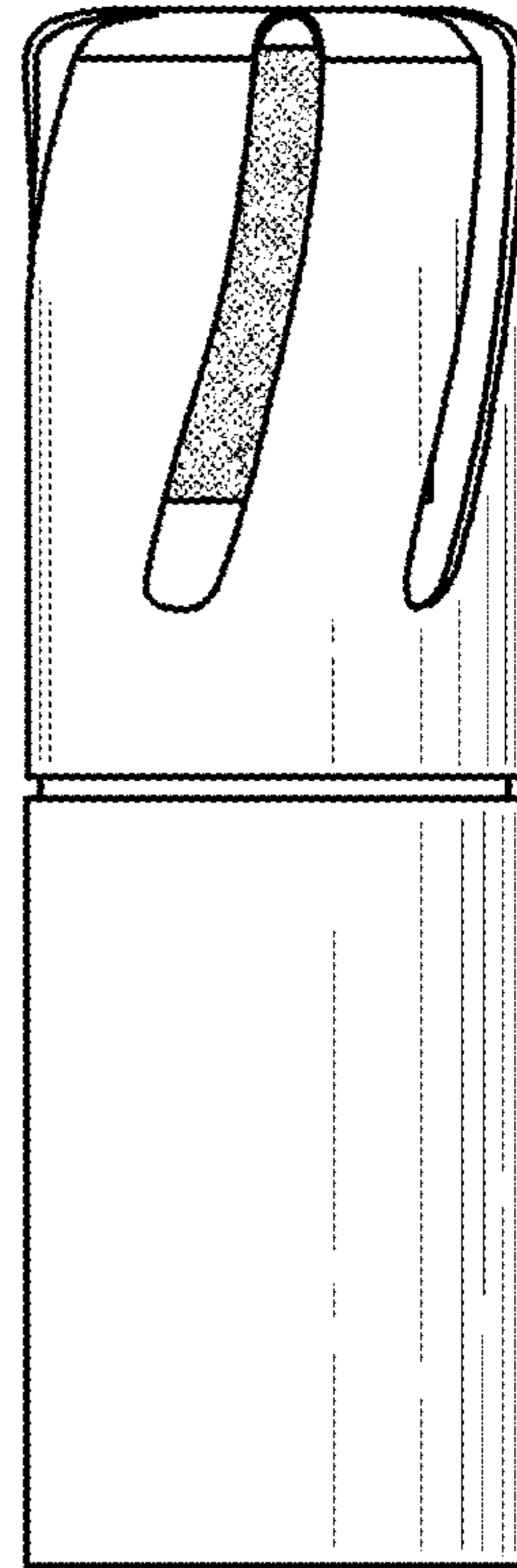


Fig. 4

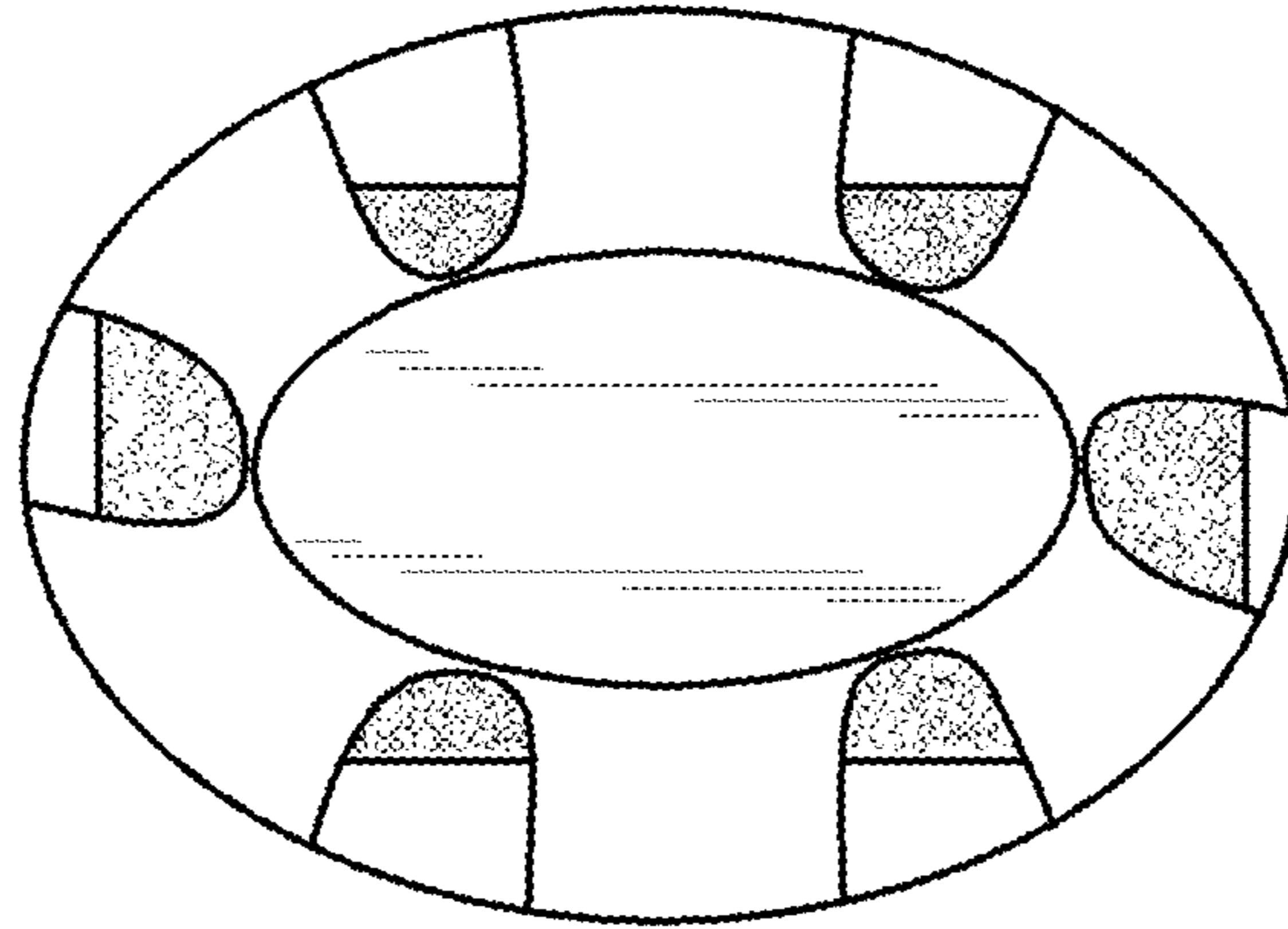


Fig. 5

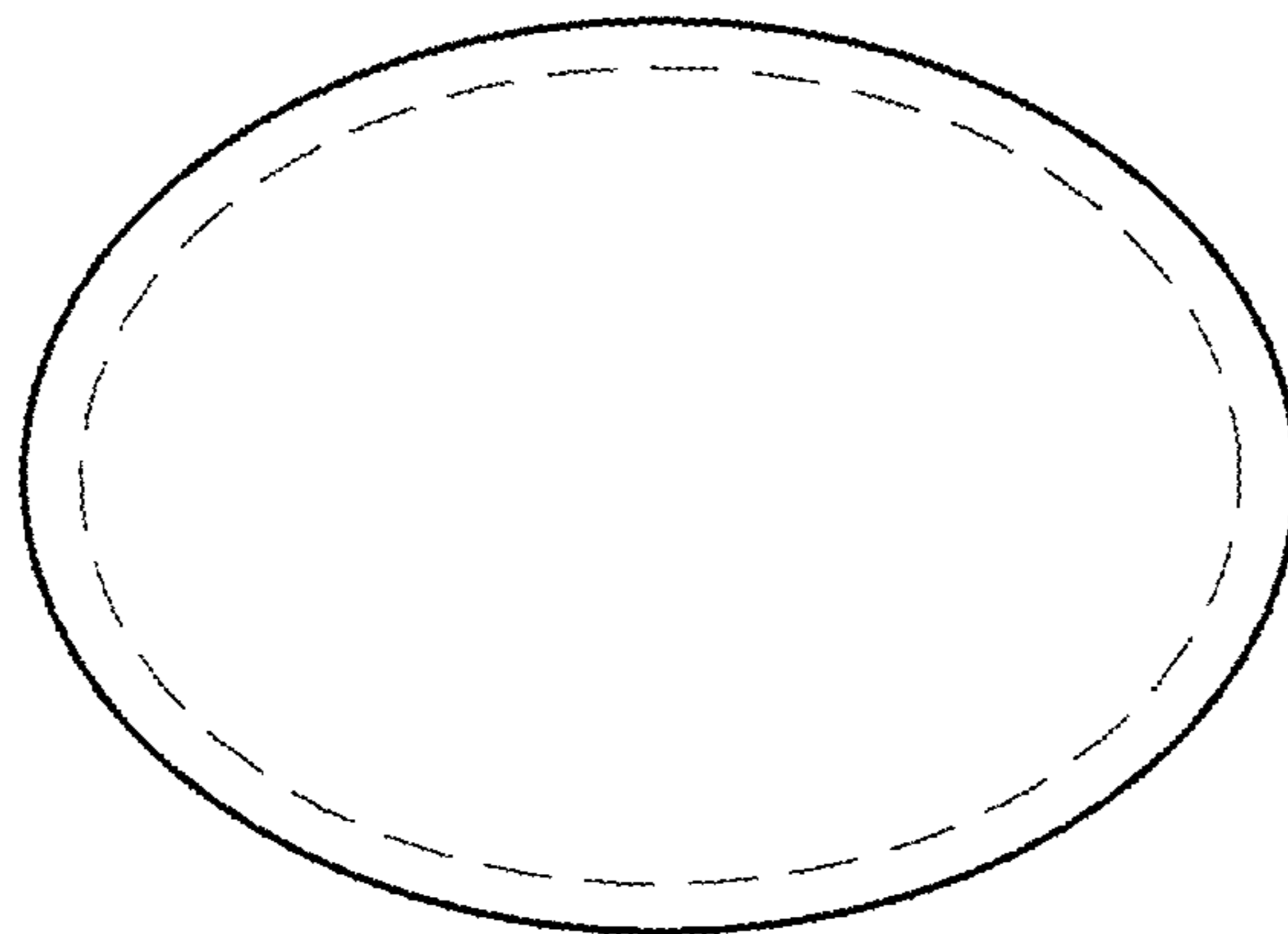


Fig. 6