



US00D874936S

(12) **United States Design Patent**
Son et al.

(10) **Patent No.:** **US D874,936 S**

(45) **Date of Patent:** **** Feb. 11, 2020**

(54) **CONTAINER FOR PACKAGING COSMETICS**

(71) Applicant: **YONWOO CO., LTD.**, Incheon (KR)

(72) Inventors: **Su-Jin Son**, Incheon (KR); **Jae-Ock Lee**, Incheon (KR)

(73) Assignee: **YONWOO CO., LTD.**, Incheon (KR)

(**) Term: **15 Years**

(21) Appl. No.: **29/653,870**

(22) Filed: **Jun. 19, 2018**

(51) **LOC (12) Cl.** **09-01**

(52) **U.S. Cl.**

USPC **D9/504**; D9/520

(58) **Field of Classification Search**

USPC D9/424, 428, 434-435, 454, 500,
D9/502-504, 516, 520, 529, 549, 558,
D9/715; D3/203.2

CPC . B65D 1/00; B65D 1/10; B65D 23/00; B65D
2501/00; B65D 2501/0009; A45D 34/00;
A45D 40/0068

See application file for complete search history.

(56) **References Cited**

U.S. PATENT DOCUMENTS

4,429,798	A *	2/1984	Borows	A45D 40/0068 215/12.1
D398,079	S *	9/1998	Denison	D28/77
6,009,885	A *	1/2000	Nam	A45D 33/006 132/293
D547,661	S *	7/2007	Blasko	D9/454
D621,708	S *	8/2010	Thomas	D9/500
D634,203	S *	3/2011	Mongeon	D9/504
D674,698	S *	1/2013	Mongeon	D9/504

D695,116	S *	12/2013	Ahn	D9/454
9,392,857	B2 *	7/2016	Jung	B05B 11/3025
D845,768	S *	4/2019	Mateus	D9/500
D847,645	S *	5/2019	Lee	D9/504
2010/0176131	A1 *	7/2010	Lopez Leon	A45D 40/0068 220/315
2017/0086560	A1 *	3/2017	Pires	A45D 33/32
2017/0107027	A1 *	4/2017	Sangiovanni	B65D 51/18

* cited by examiner

Primary Examiner — Dana Meyrow

(74) *Attorney, Agent, or Firm* — Marshall, Gerstein & Borun LLP

(57) **CLAIM**

The ornamental design for a container for packaging cosmetics, as shown and described.

DESCRIPTION

FIG. 1 is an exploded view of a container for packaging cosmetics showing the new design.

FIG. 2 is a front, top, and right-side orthographic view of the container for packaging cosmetics of FIG. 1 shown without the cap and shown at an enlarged scale.

FIG. 3 is a front elevation view thereof.

FIG. 4 is a rear elevation view thereof.

FIG. 5 is a right-side elevation view thereof.

FIG. 6 is a left-side elevation view thereof.

FIG. 7 is a top plan view thereof.

FIG. 8 is a front, top, and right-side orthographic view thereof shown with the cap in place.

FIG. 9 is a front elevation view thereof.

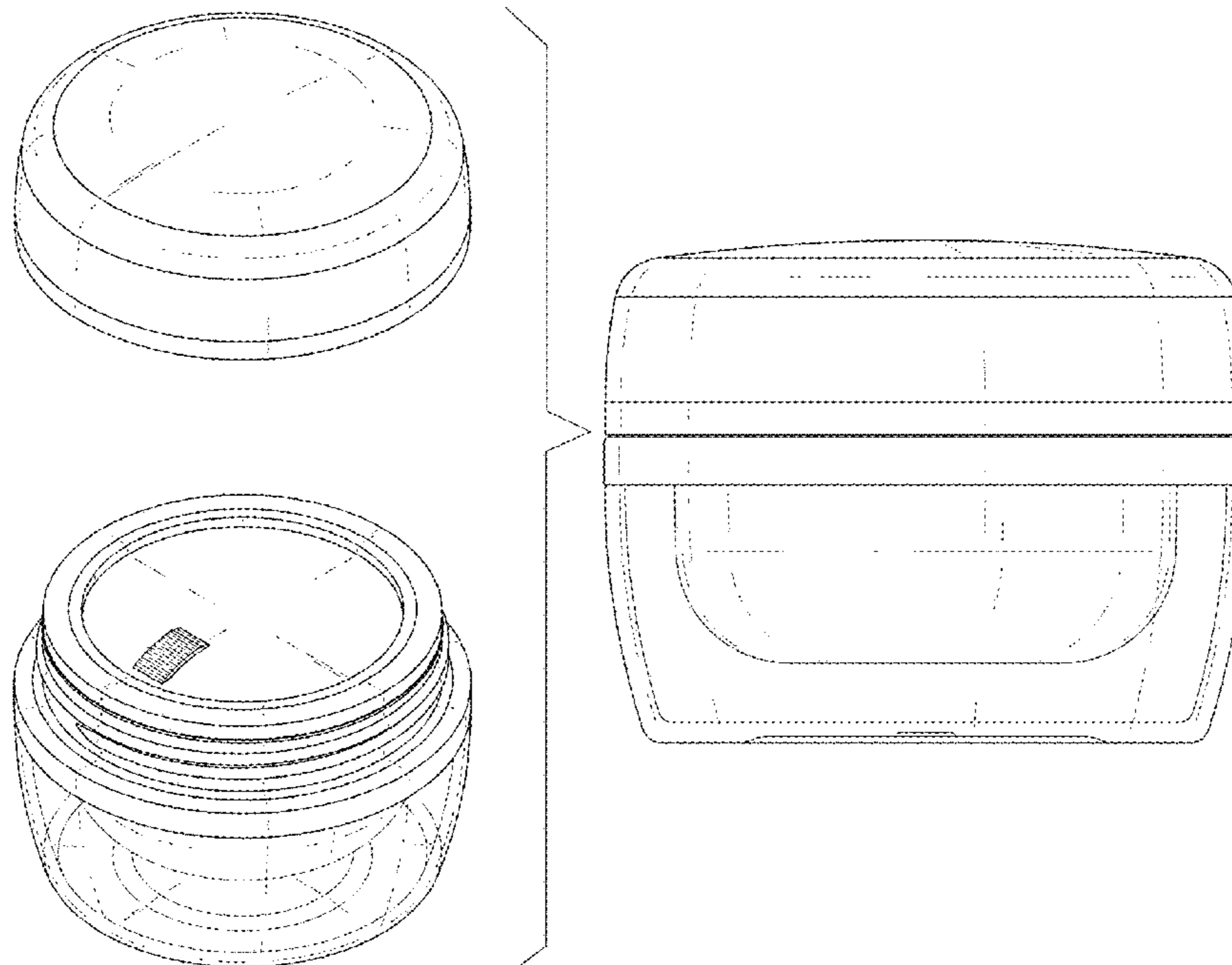
FIG. 10 is a rear elevation view thereof.

FIG. 11 is a right-side elevation view thereof.

FIG. 12 is a left-side elevation view thereof; and,

FIG. 13 is a top plan view thereof.

1 Claim, 13 Drawing Sheets



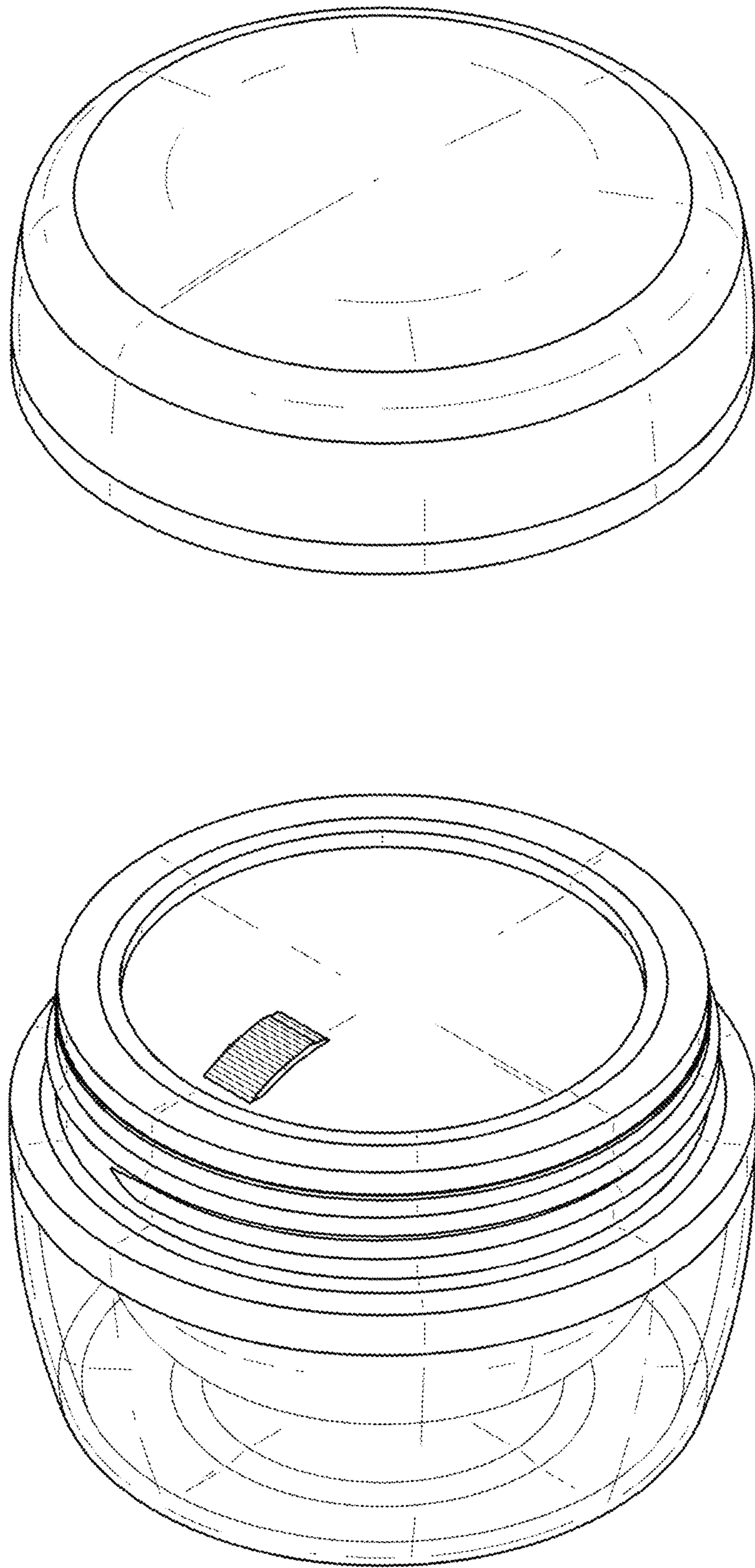


FIG. 1

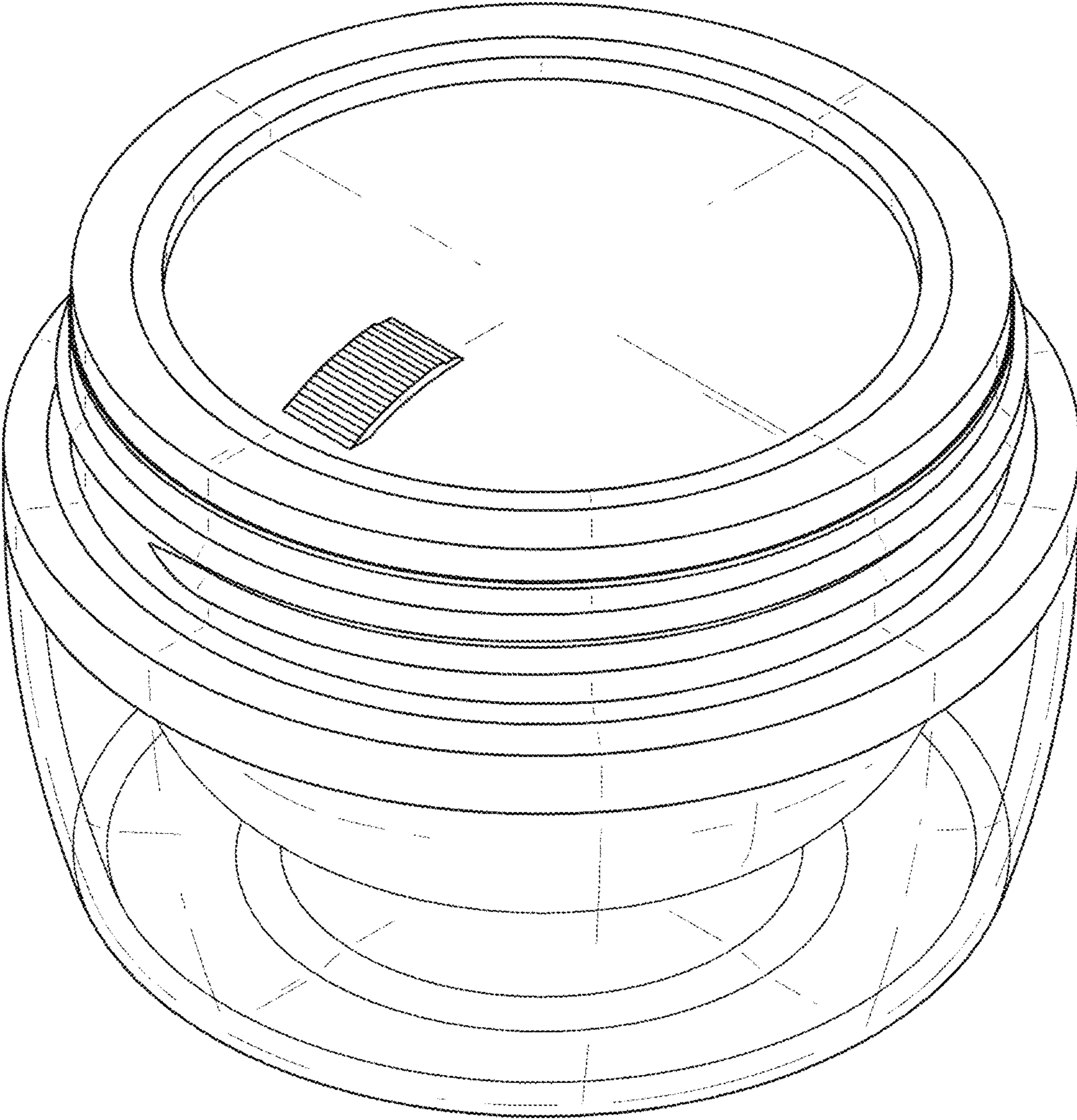


FIG. 2

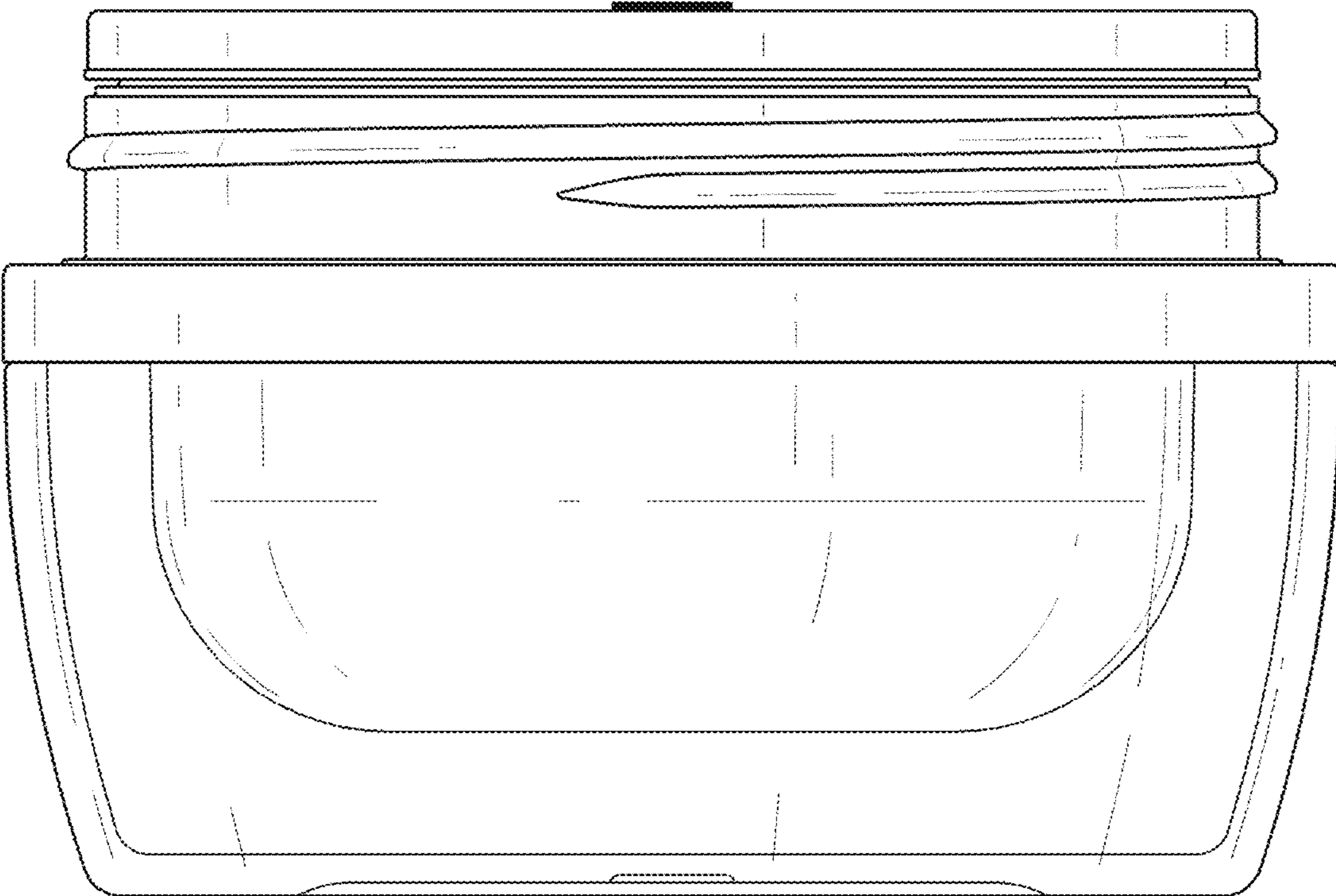


FIG. 3

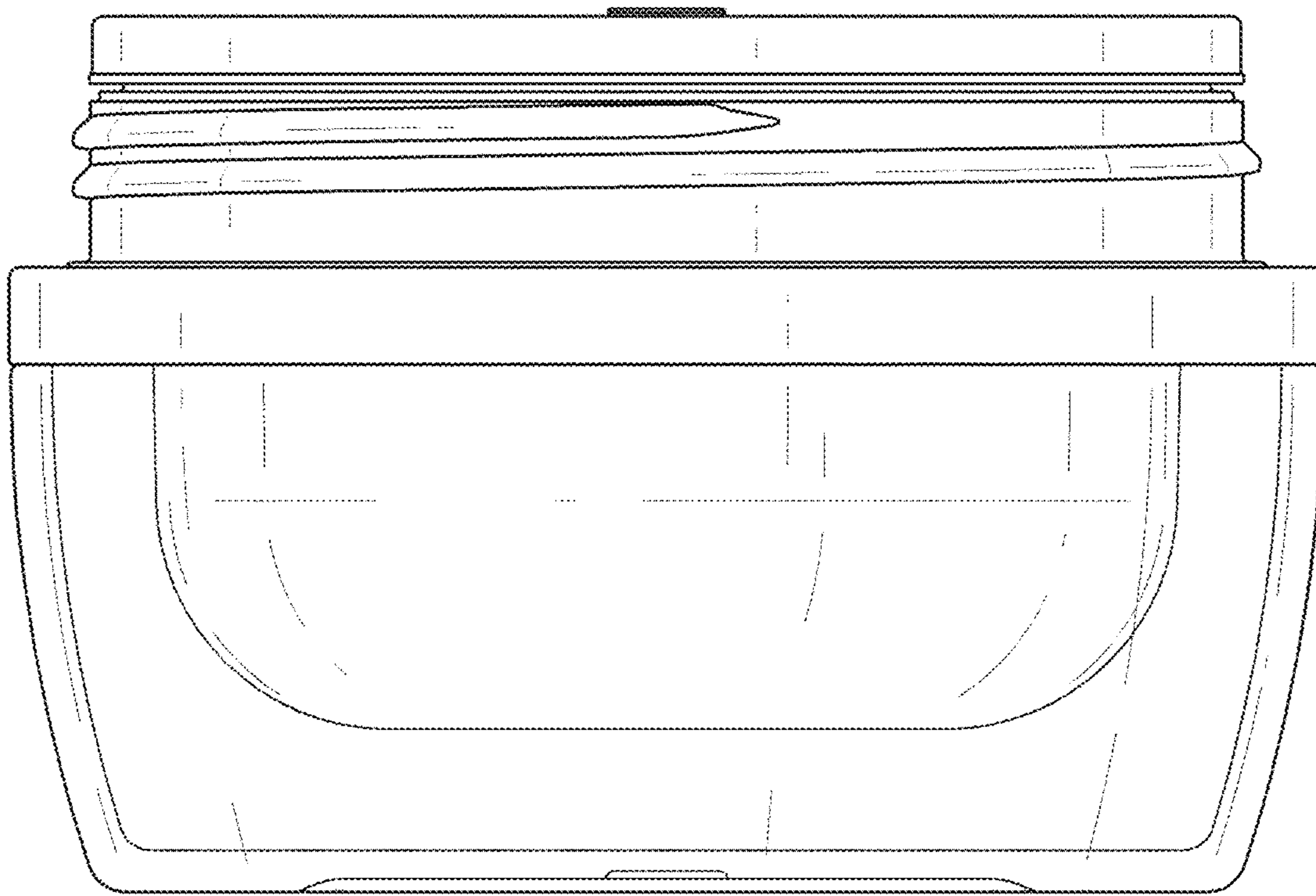


FIG. 4

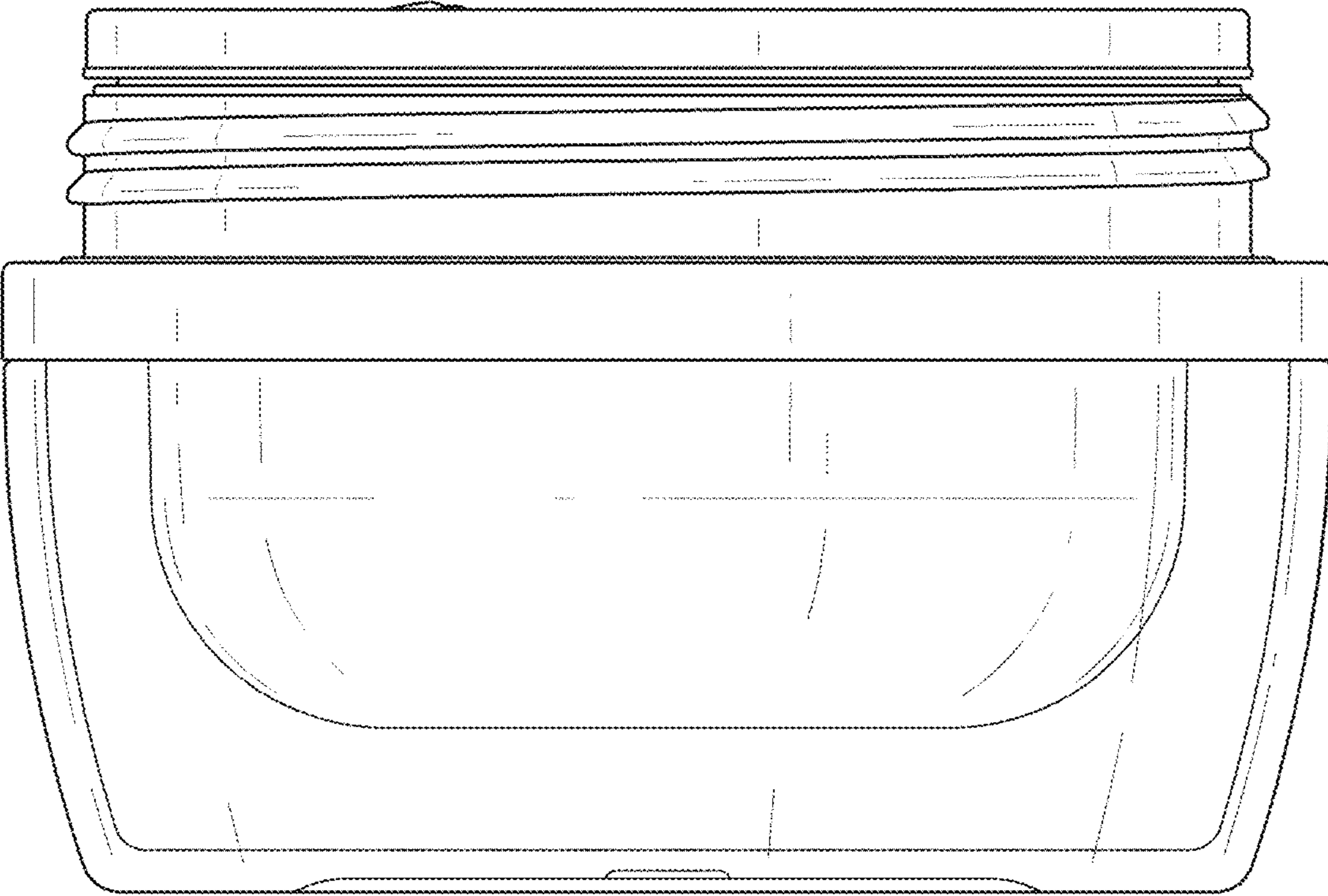


FIG. 5

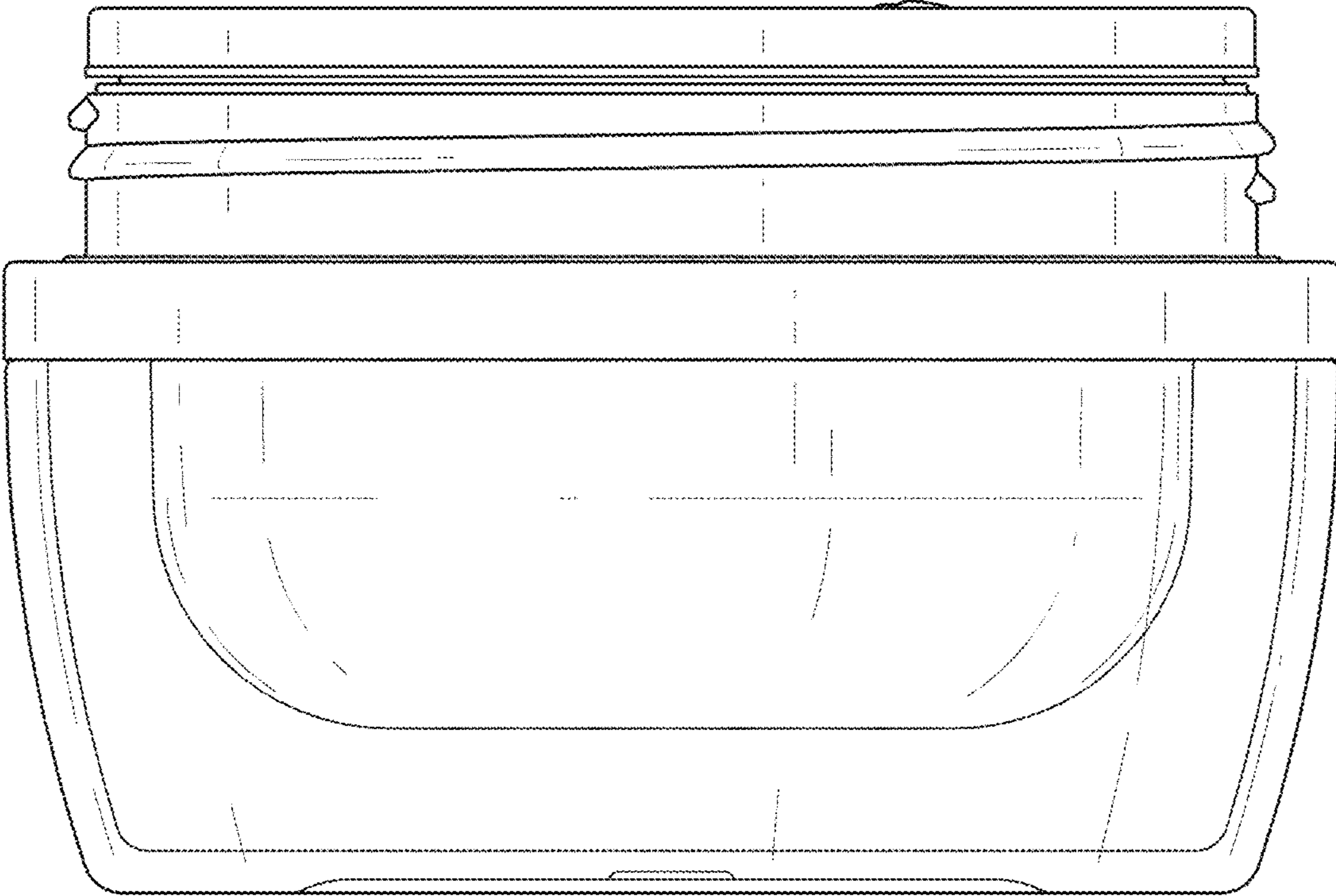


FIG. 6

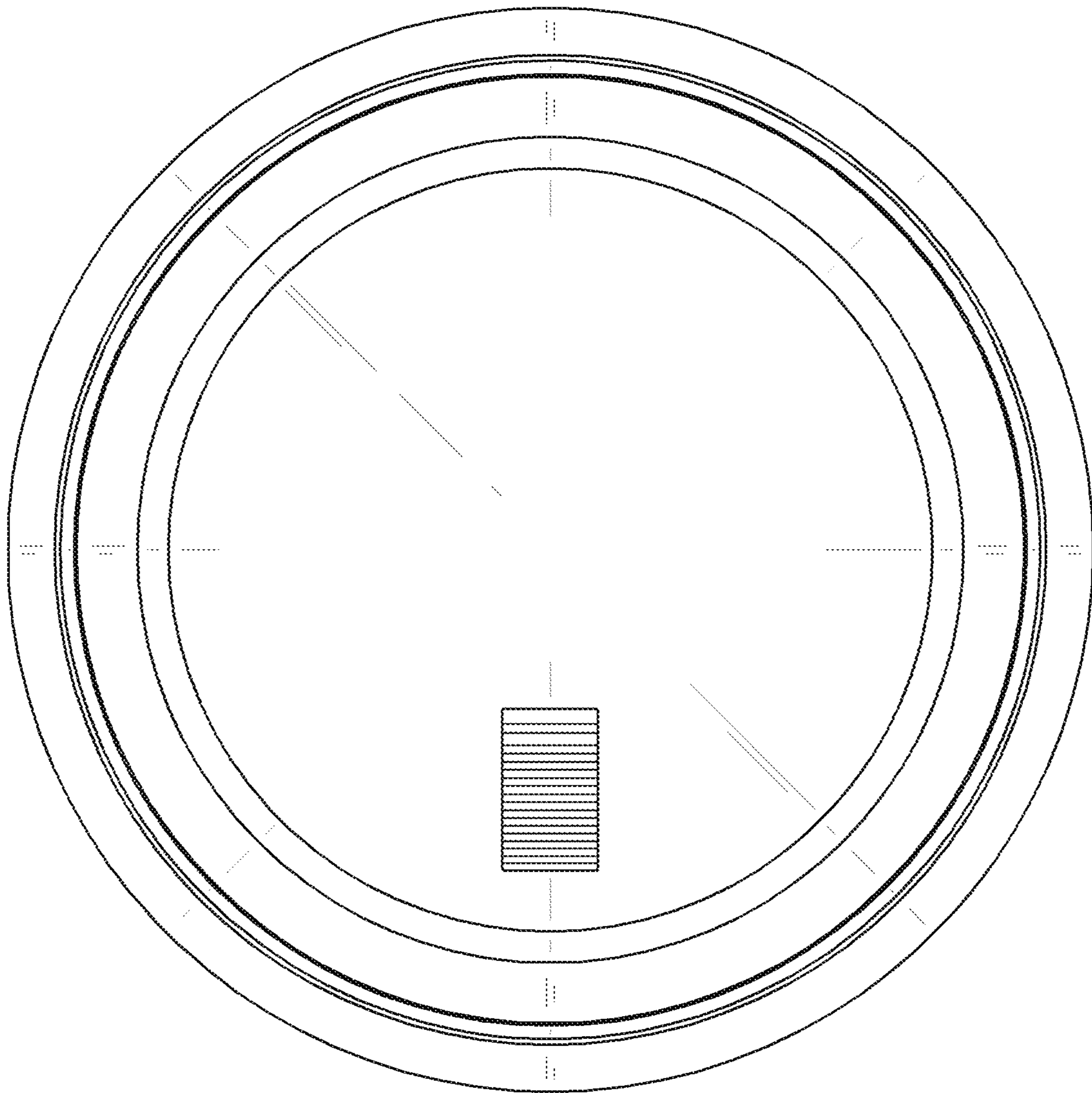


FIG. 7

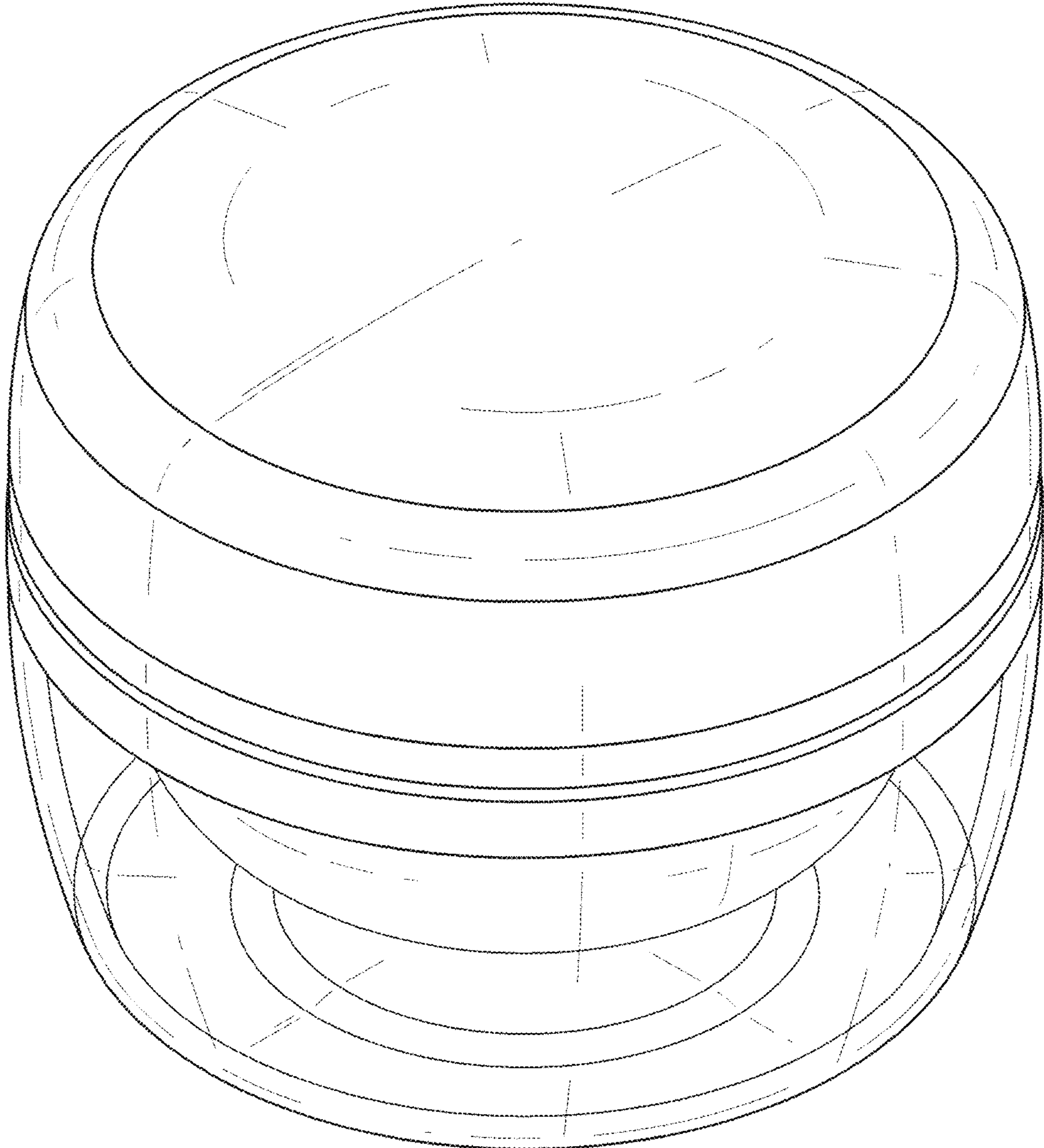


FIG. 8

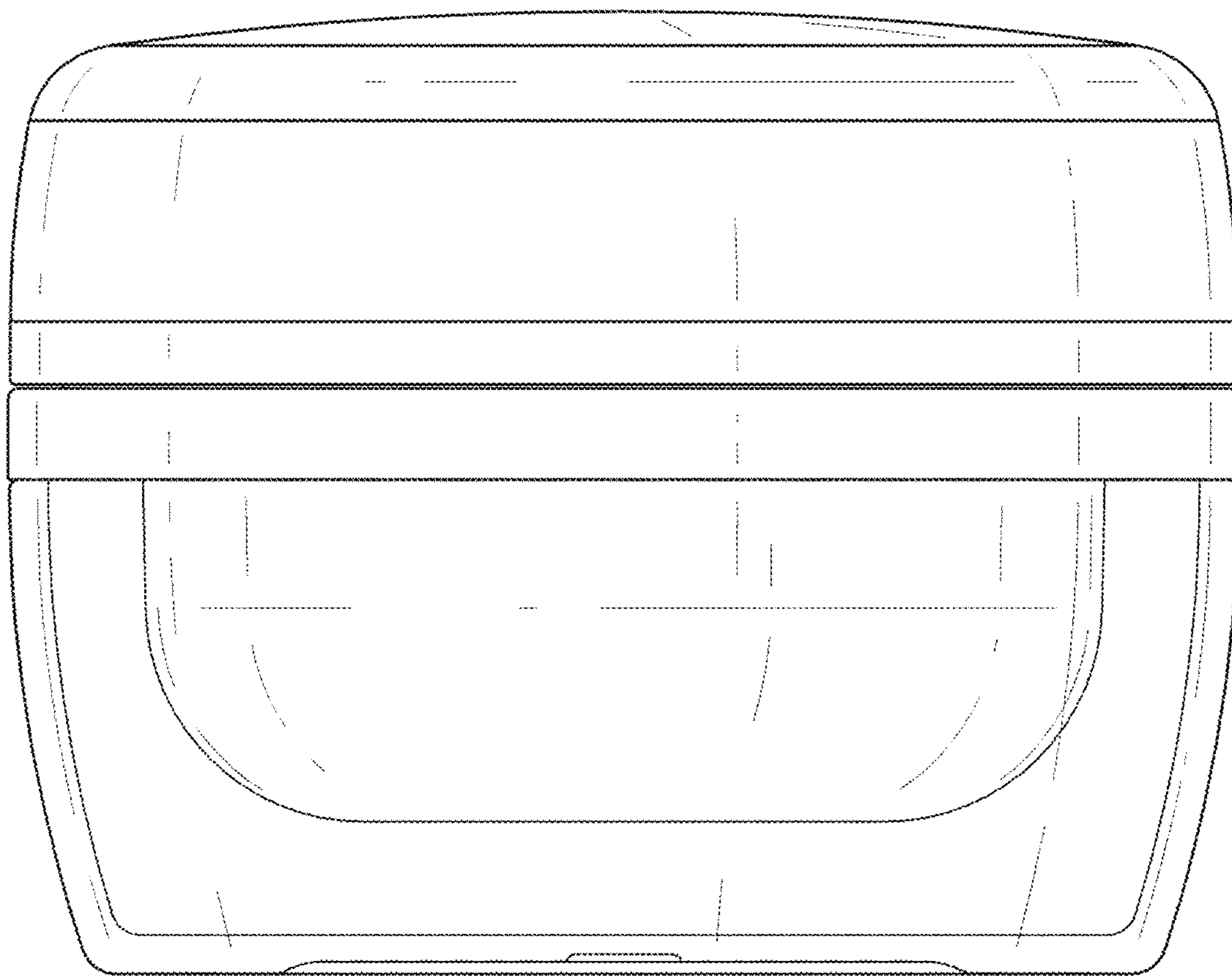


FIG. 9

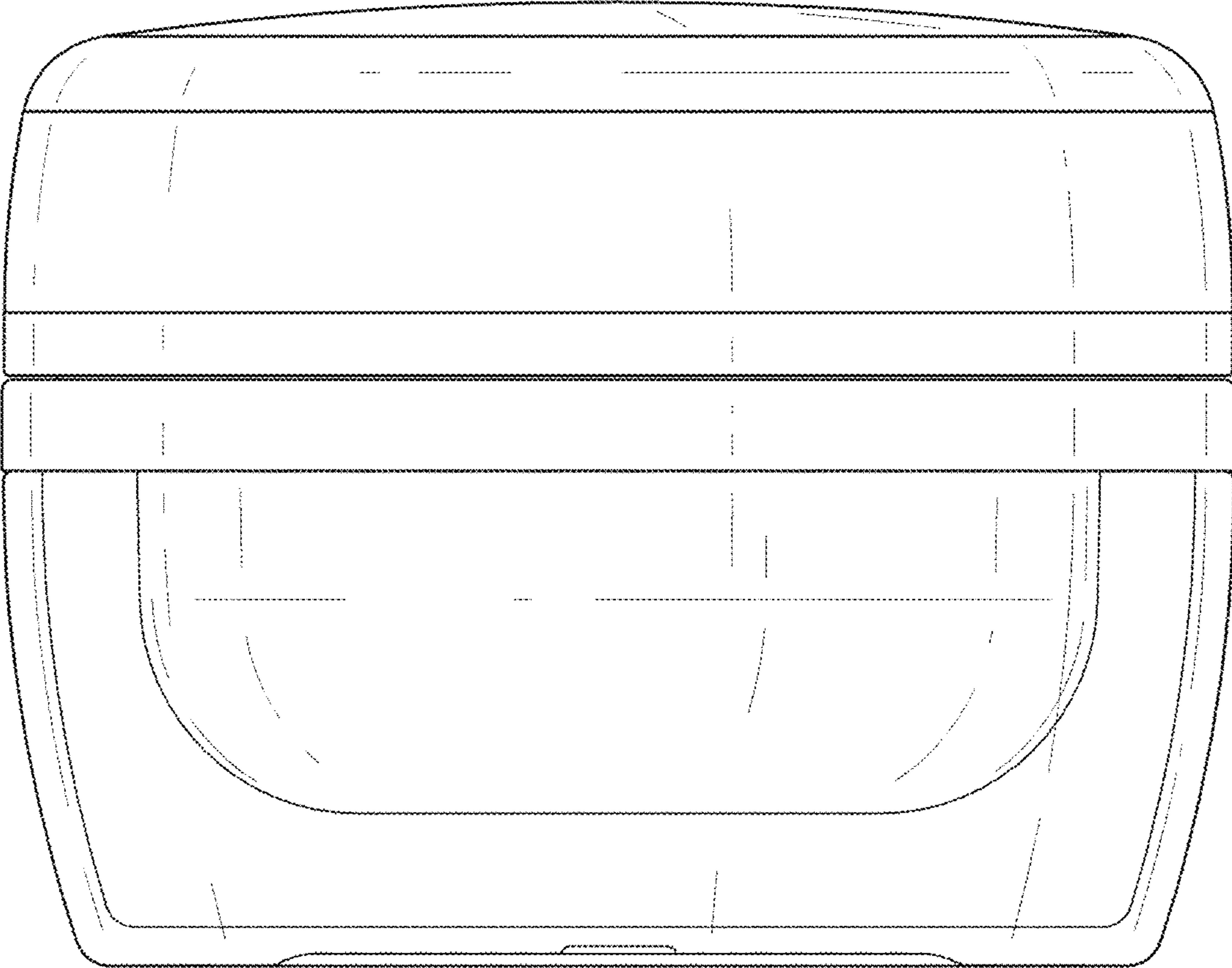


FIG. 10

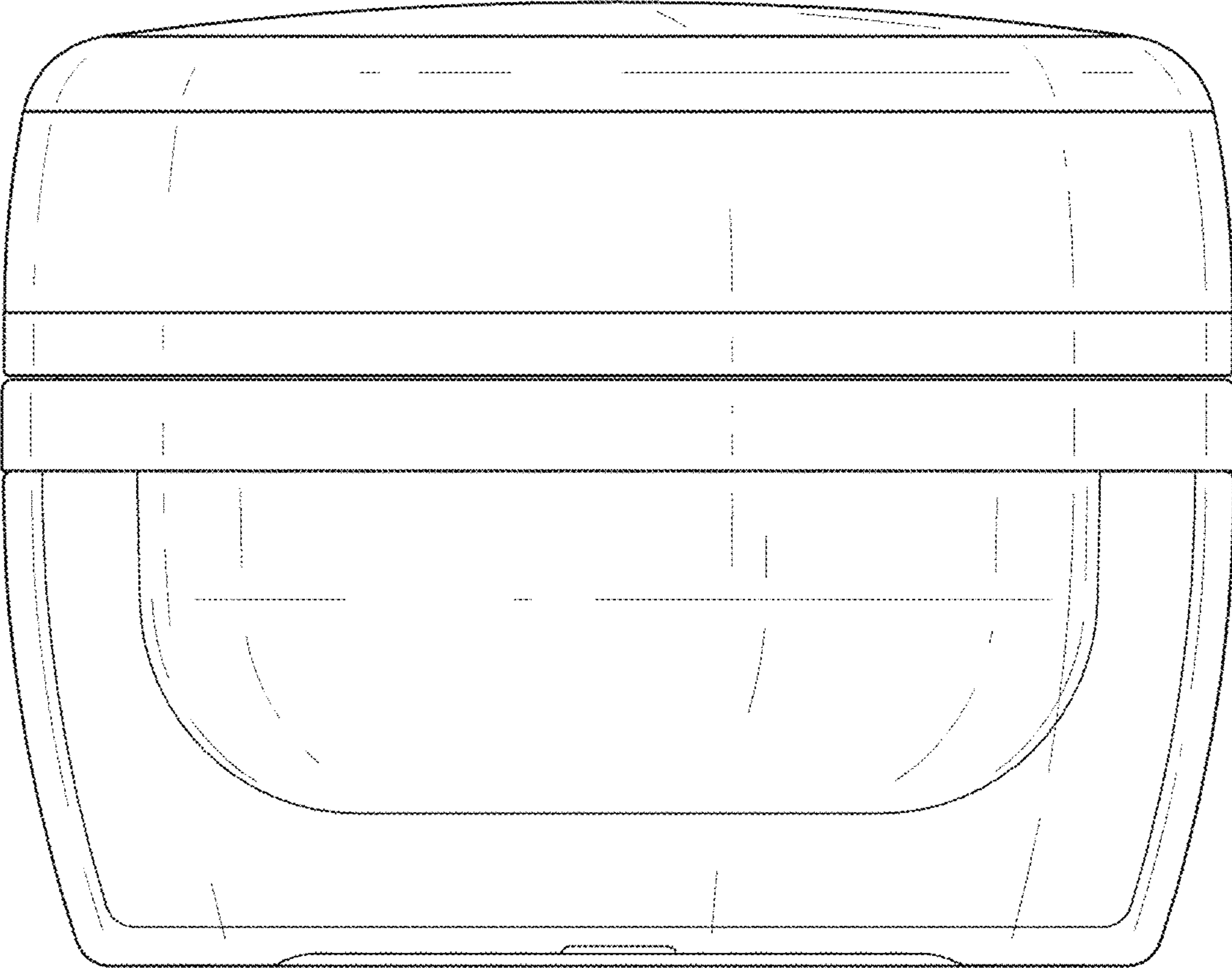


FIG. 11

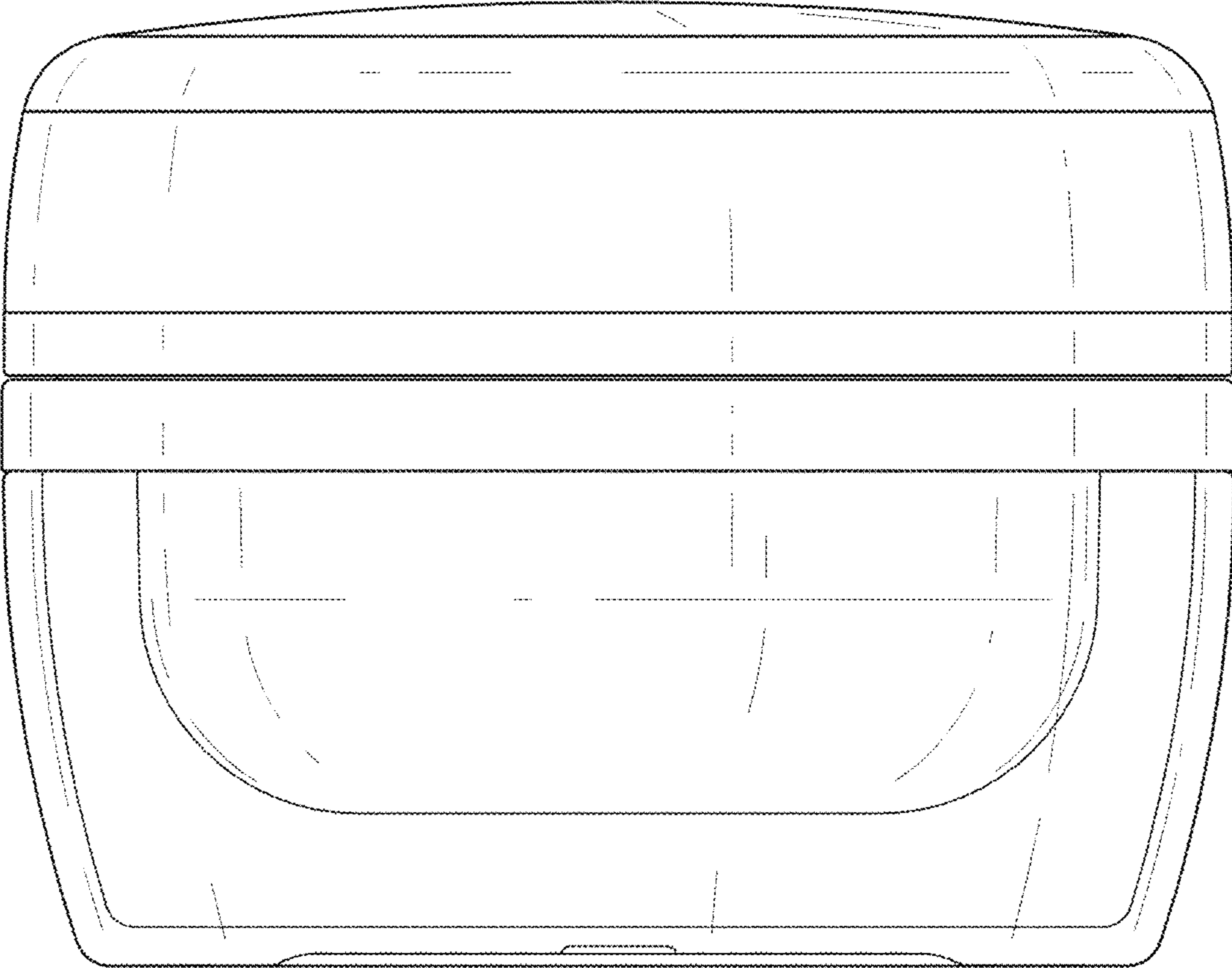


FIG. 12

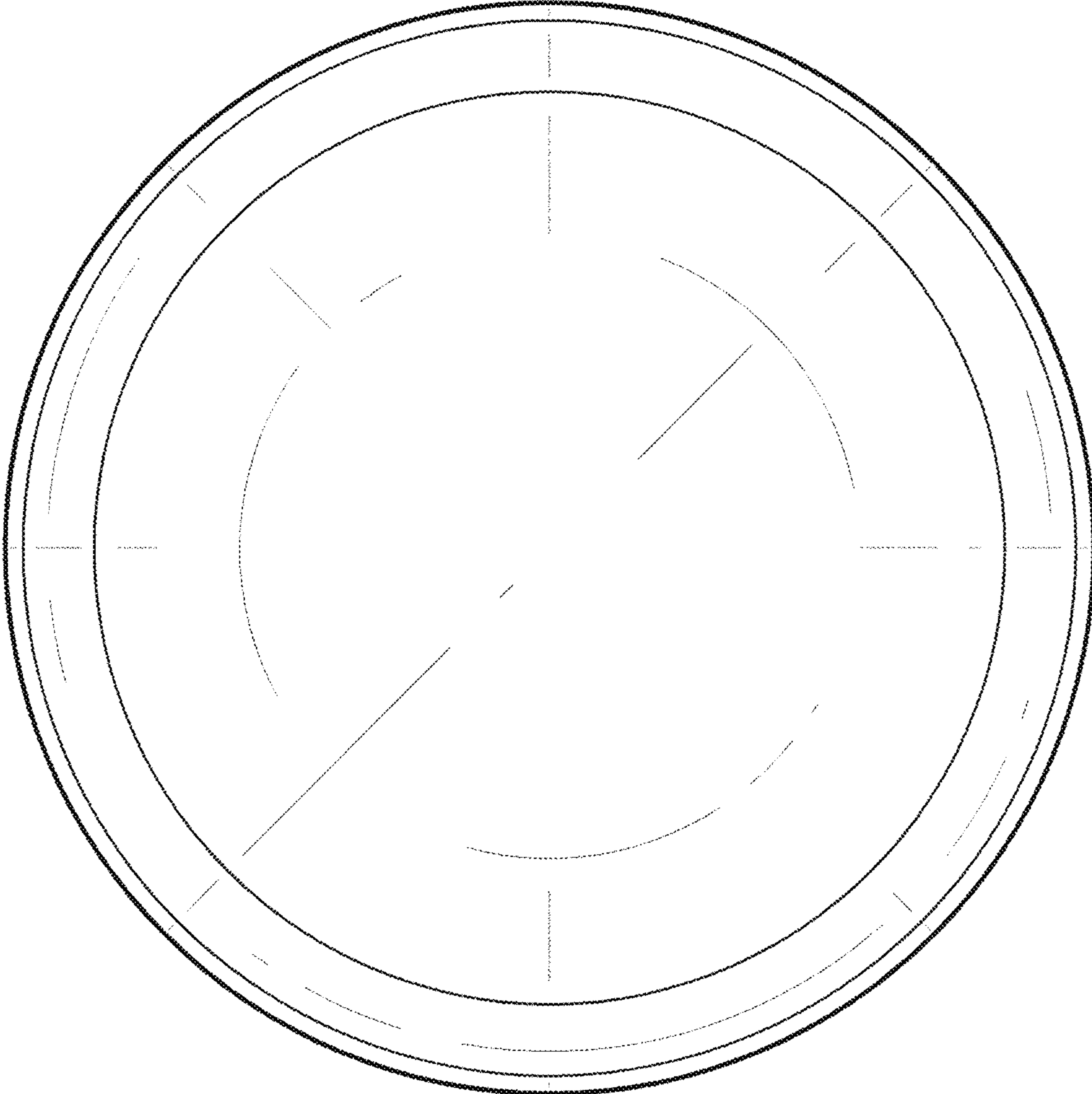


FIG. 13