



US00D874935S

(12) **United States Design Patent**  
**DiStefano et al.**

(10) **Patent No.:** **US D874,935 S**

(45) **Date of Patent:** **\*\* Feb. 11, 2020**

(54) **BOTTLE**

(71) Applicant: **good2grow, LLC**, Atlanta, GA (US)

(72) Inventors: **Joseph Anthony DiStefano**, Mableton, GA (US); **Jonas Garner McCracken**, Sandy Springs, GA (US); **Gunnar Byrne Olson**, Atlanta, GA (US)

(73) Assignee: **GOOD2GROW LLC**, Atlanta, GA (US)

(\*\*) Term: **15 Years**

(21) Appl. No.: **29/663,240**

(22) Filed: **Sep. 13, 2018**

(51) **LOC (12) Cl.** ..... **09-01**

(52) **U.S. Cl.**  
USPC ..... **D9/503; D9/502**

(58) **Field of Classification Search**  
USPC ..... D9/434-435, 444-445, 454, 500,  
D9/502-503, 516, 530, 537-541, 549,  
D9/557-558, 715, 719; D1/105

CPC ..... B65D 1/00; B65D 1/02; B65D 1/0223;  
B65D 1/44; B65D 23/00; B65D 23/102;  
B65D 2501/00; B65D 2501/0009; B65D  
2501/0018; B65D 2501/0036

See application file for complete search history.

(56) **References Cited**

**U.S. PATENT DOCUMENTS**

D305,871 S \* 2/1990 Geiger ..... D9/435  
D333,268 S \* 2/1993 Arlinghaus ..... D9/538

D365,020 S *	12/1995	Dinand	.....	D9/503
D428,813 S *	8/2000	Haley	.....	D9/500
D573,468 S *	7/2008	Pickford	.....	D9/502
D608,203 S *	1/2010	Yourist	.....	D9/502
D610,011 S *	2/2010	De Pieretti	.....	D9/500
D642,470 S *	8/2011	Yourist	.....	D9/500
D671,005 S *	11/2012	Prathummek	.....	D9/502
D699,110 S *	2/2014	Cox	.....	D9/500
D746,685 S *	1/2016	Foley	.....	D9/453
D746,686 S *	1/2016	Yourist	.....	D9/502
D746,687 S *	1/2016	Yourist	.....	D9/502
D746,688 S *	1/2016	Yourist	.....	D9/502
D755,049 S *	5/2016	Clark	.....	D9/502
D759,488 S *	6/2016	Gibson	.....	D9/454
D784,812 S *	4/2017	Miller	.....	D9/435
D814,873 S *	4/2018	Roberts	.....	D9/503
D815,948 S *	4/2018	McCarney	.....	D9/502

\* cited by examiner

*Primary Examiner* — Dana Meyrow

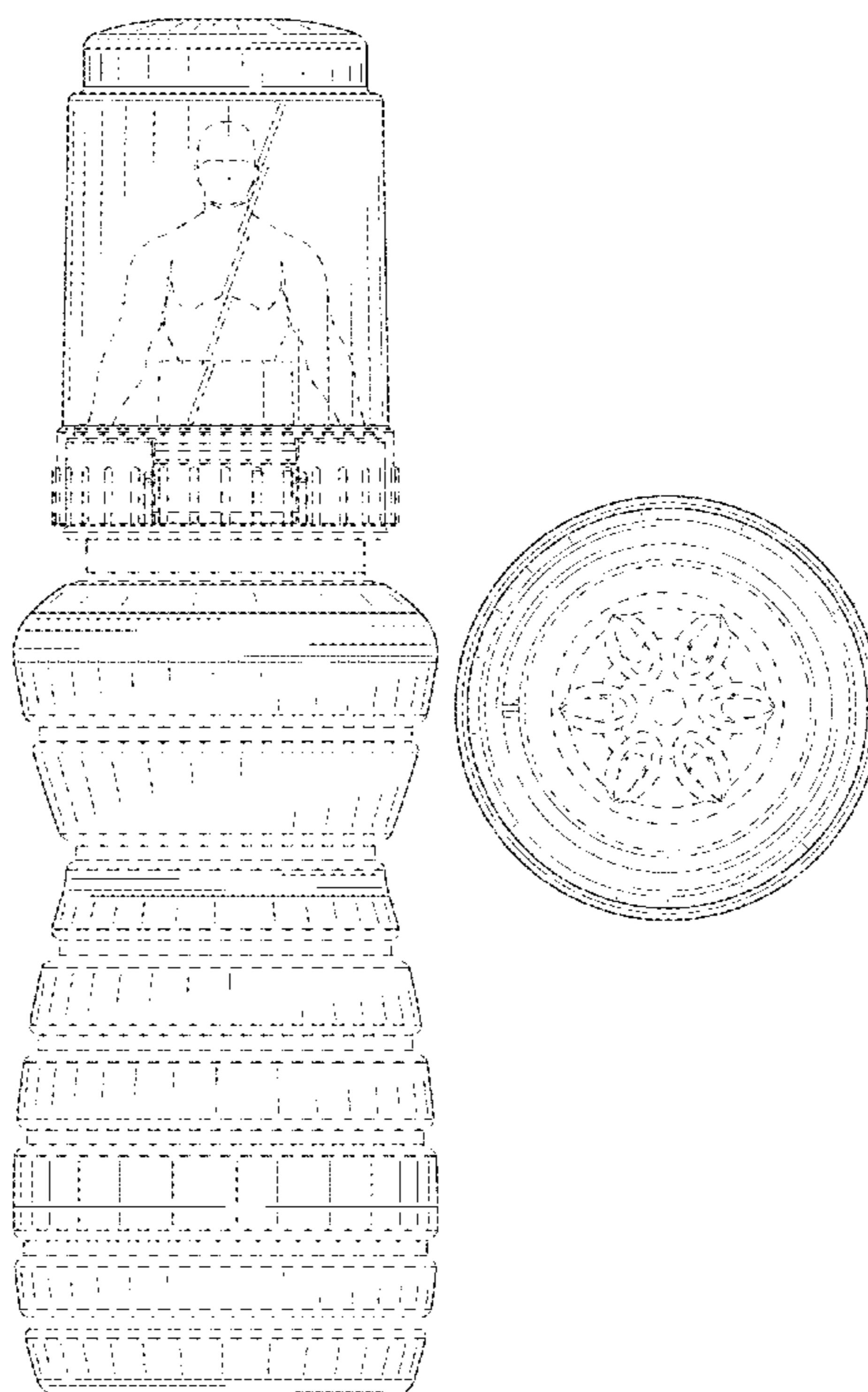
(57) **CLAIM**

The ornamental design for a bottle, as shown and described.

**DESCRIPTION**

FIG. 1 is an isometric view of a bottle.  
FIG. 2 is another isometric view of the bottle of FIG. 1.  
FIG. 3 is a front view of the bottle of FIG. 1.  
FIG. 4 is a right side view of the bottle of FIG. 1.  
FIG. 5 is a rear view of the bottle of FIG. 1.  
FIG. 6 is a left side view of the bottle of FIG. 1.  
FIG. 7 is a top view of the bottle of FIG. 1; and,  
FIG. 8 is a bottom view of the bottle of FIG. 1.  
The broken lines in the drawings denote portions of the bottle that are not part of the claimed design.

**1 Claim, 7 Drawing Sheets**



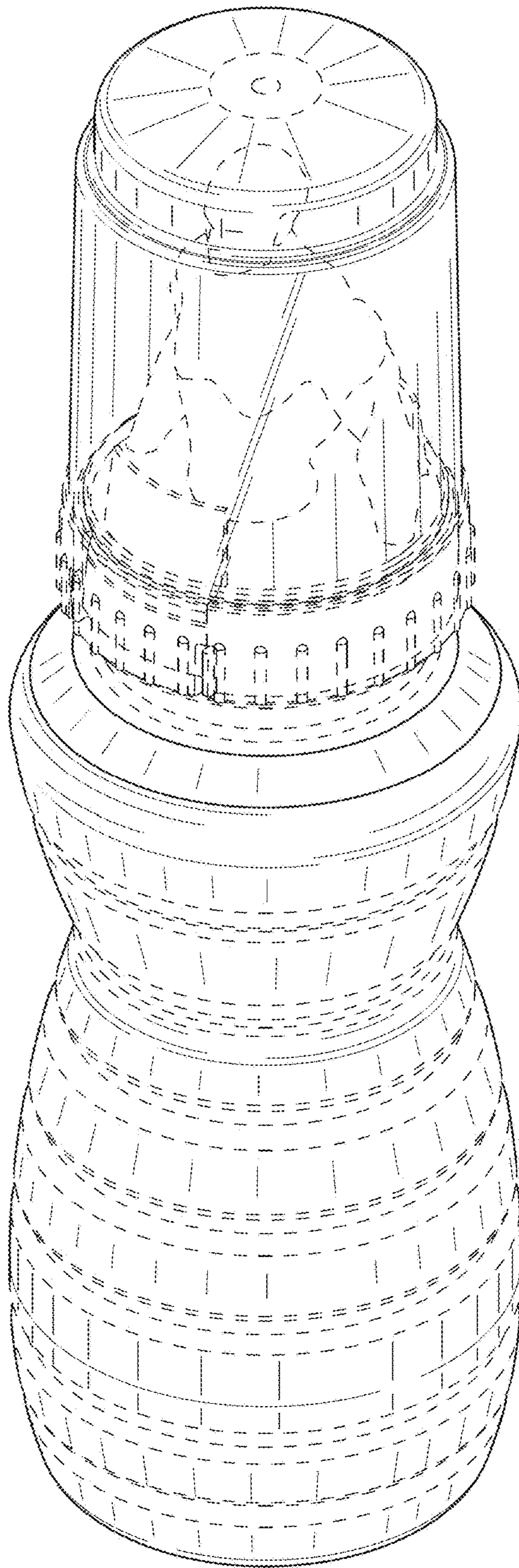


FIG. 1

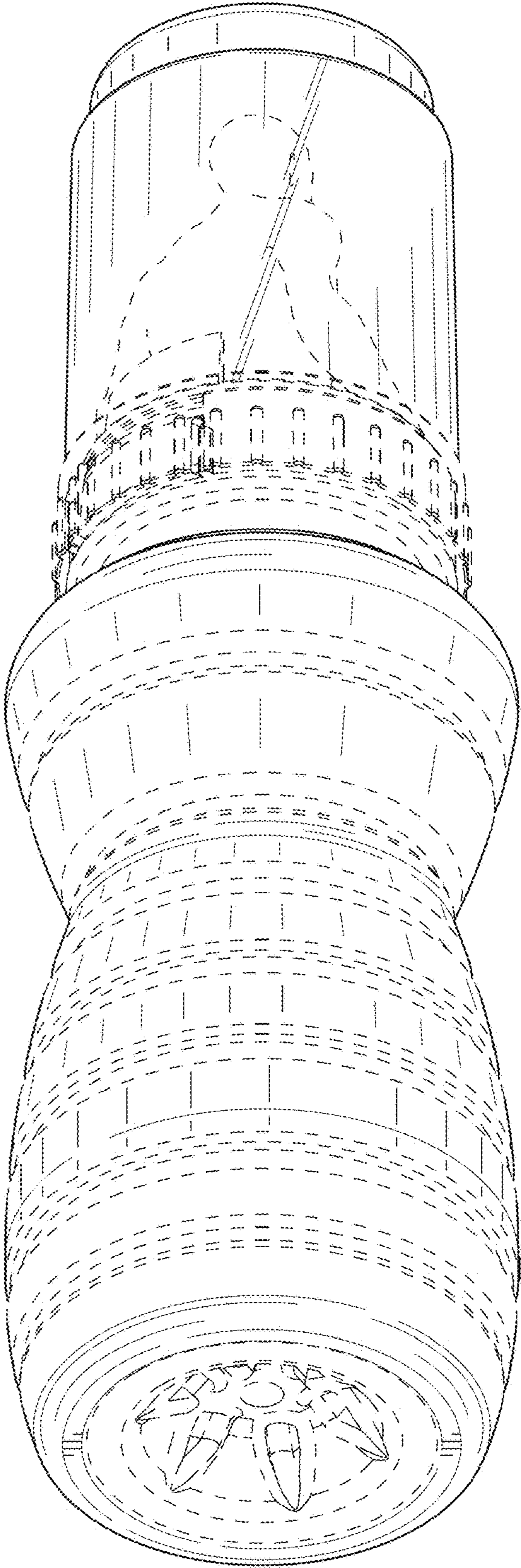


FIG. 2

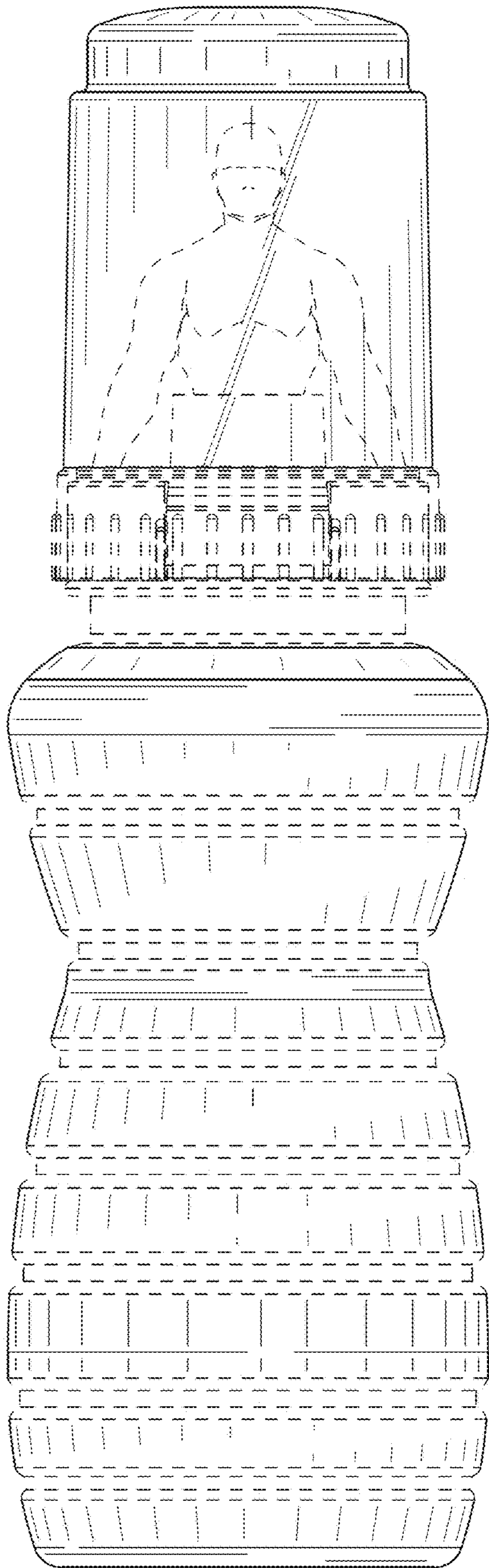


FIG. 3

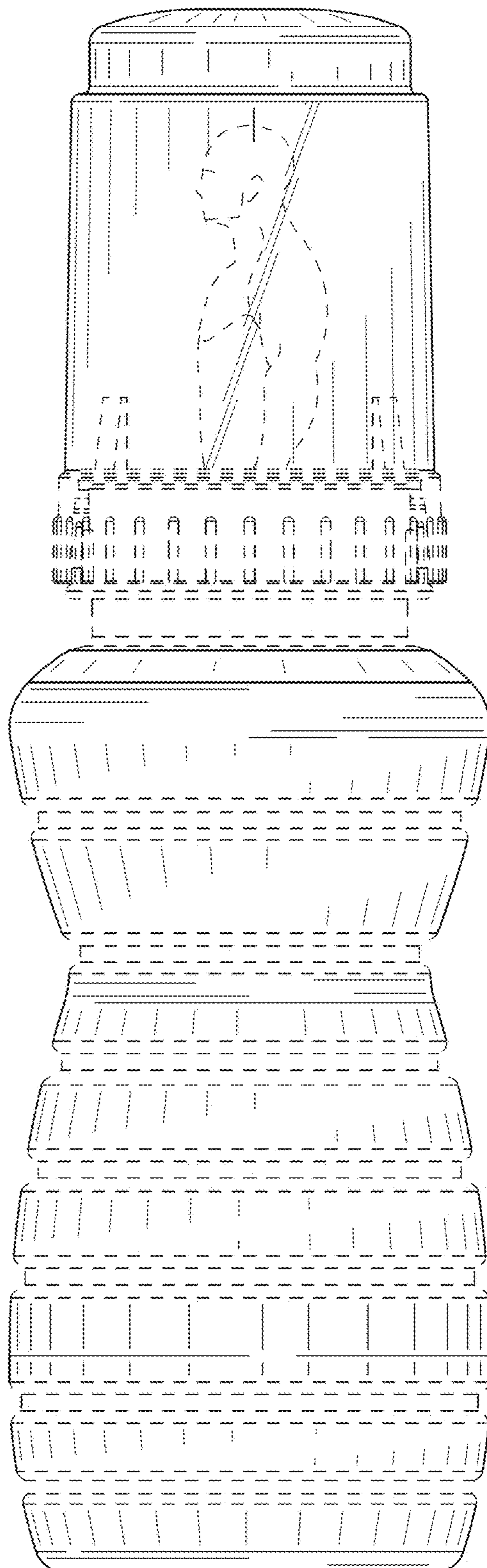


FIG. 4

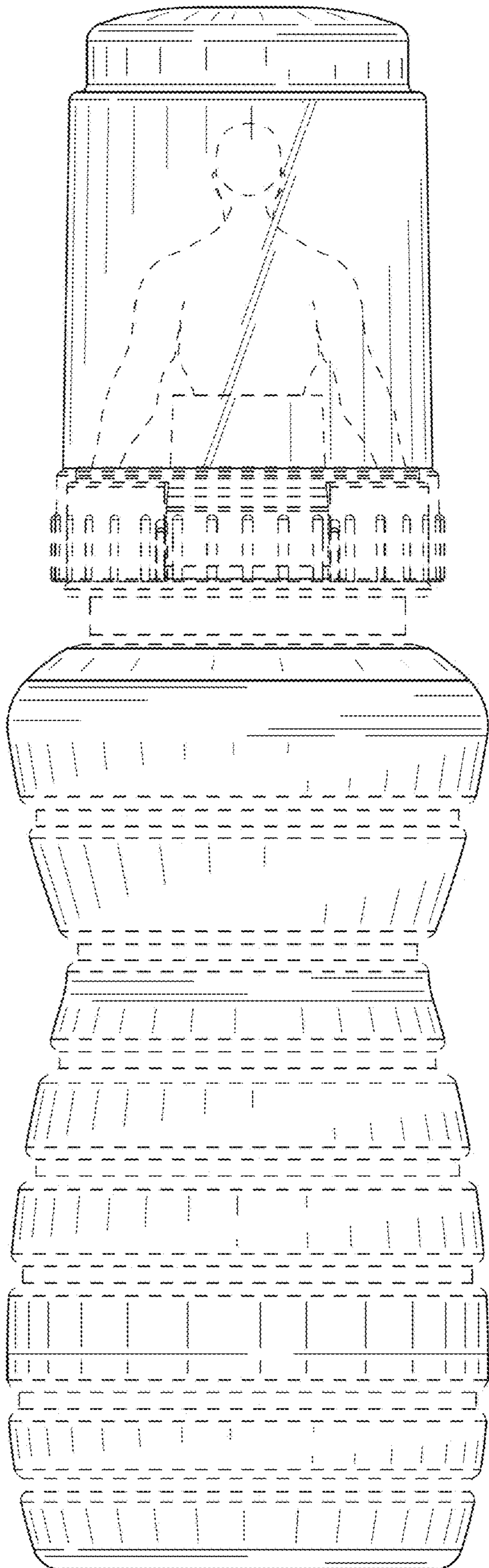


FIG. 5

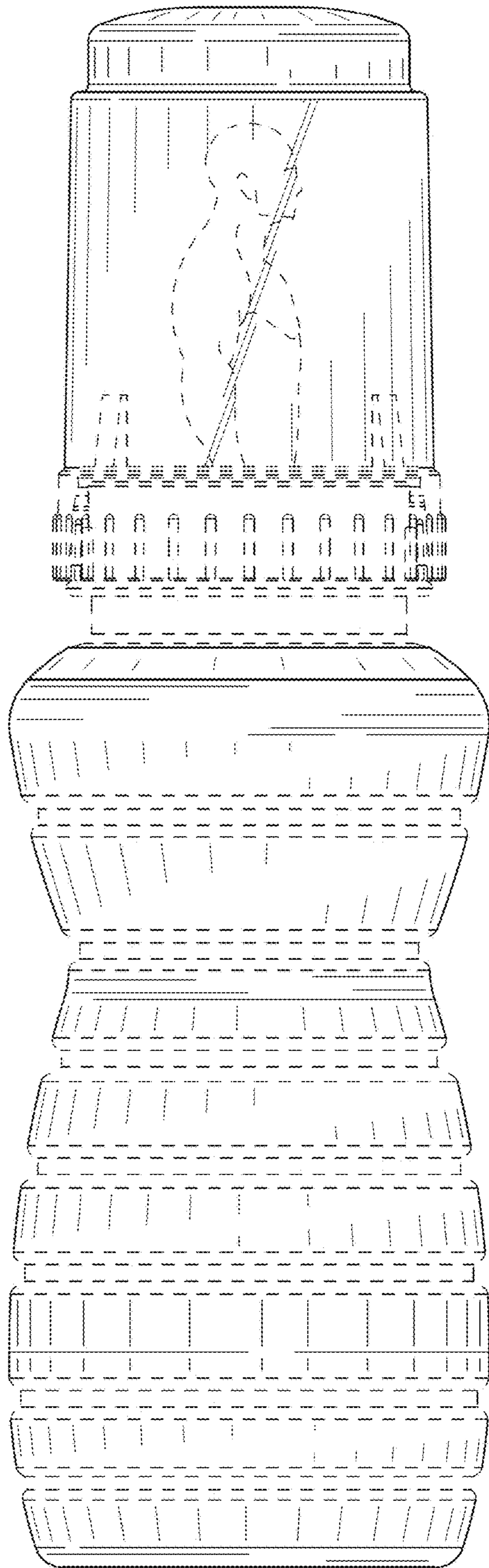


FIG. 6

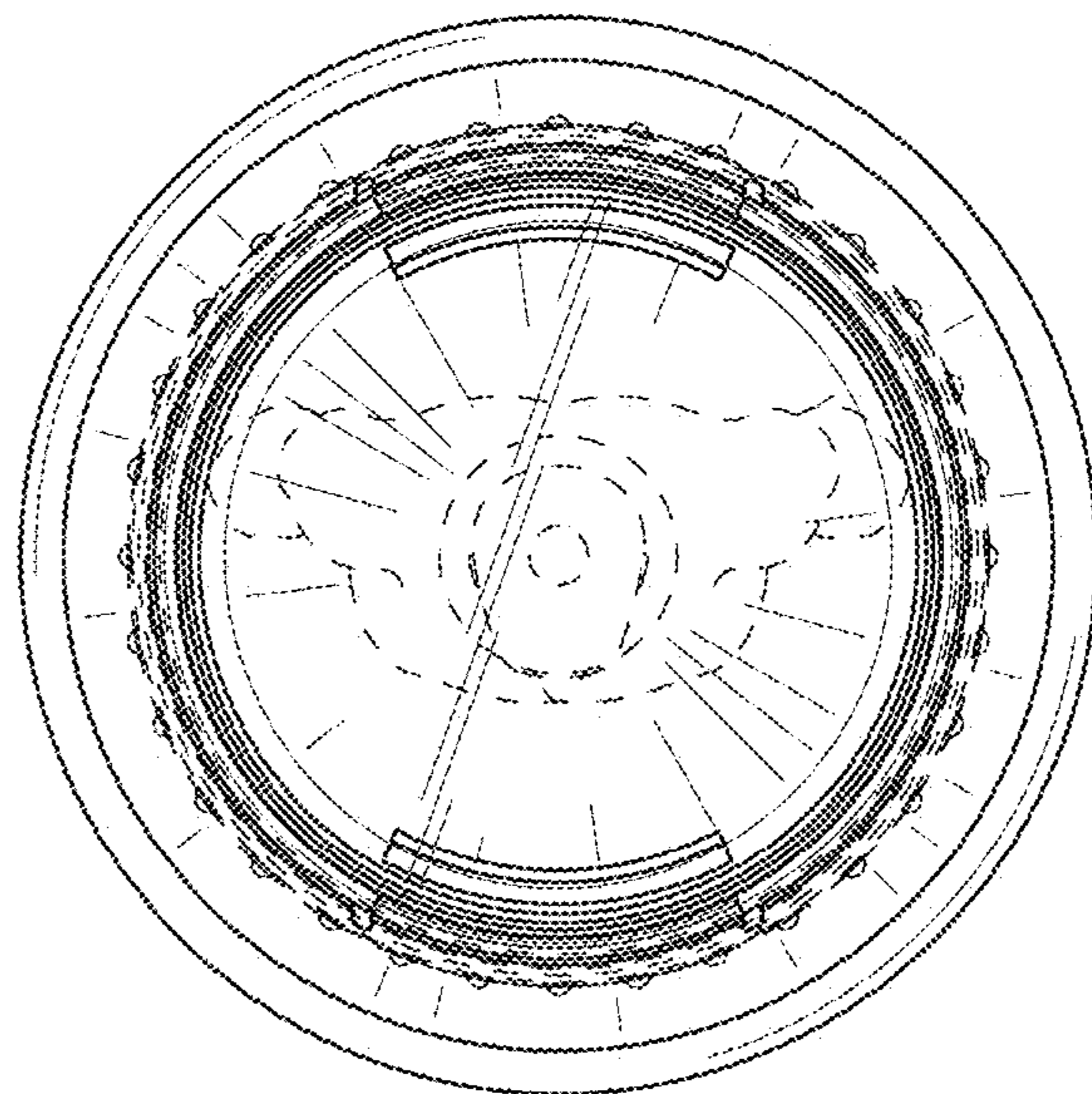


FIG. 7

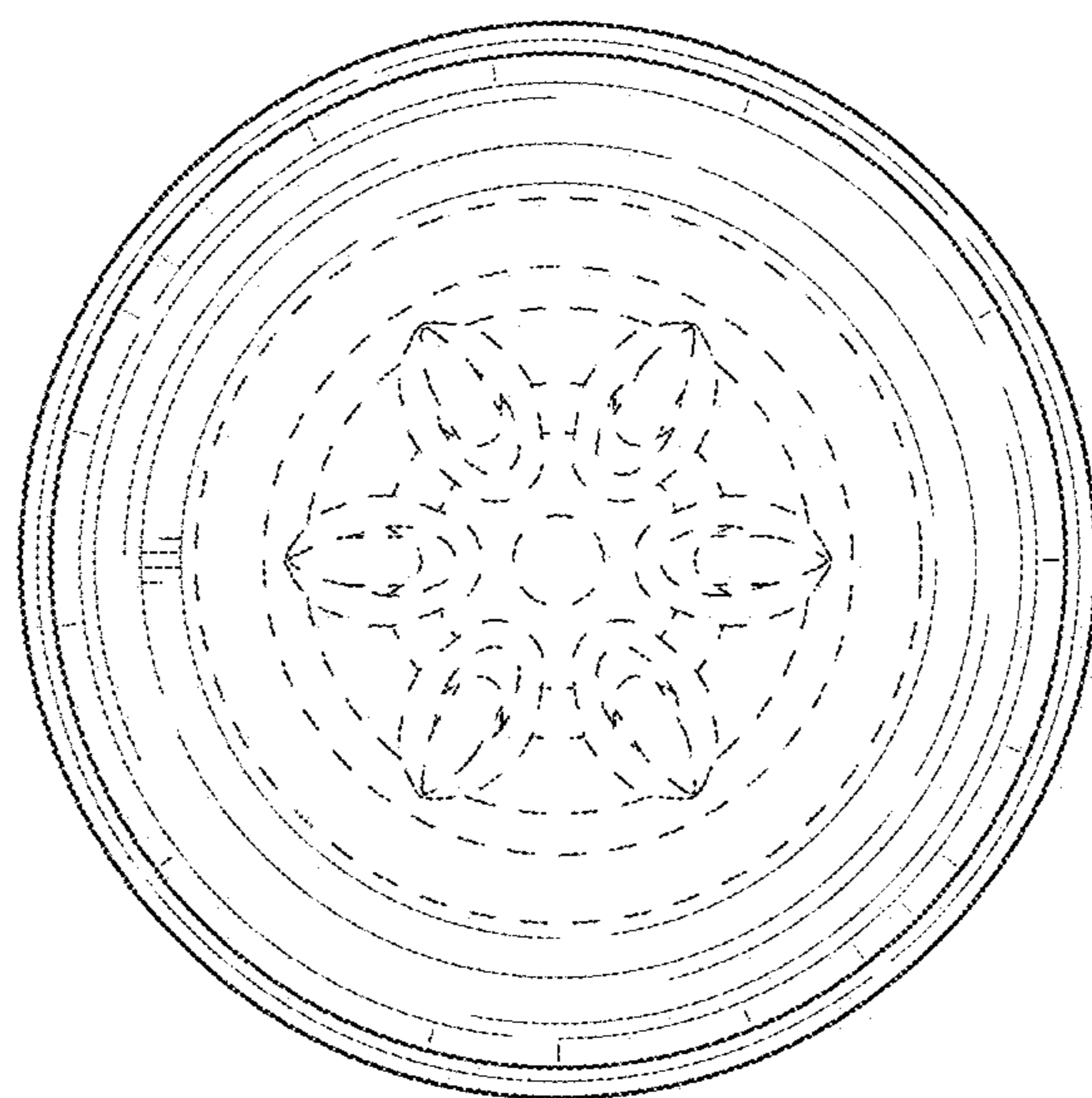


FIG. 8