



US00D874934S

(12) **United States Design Patent**
Yourist

(10) **Patent No.:** **US D874,934 S**

(45) **Date of Patent:** **** Feb. 11, 2020**

(54) **CONTAINER**

(71) Applicant: **Graham Packaging Company, L.P.**,
Lancaster, PA (US)

(72) Inventor: **Sheldon E. Yourist**, York, PA (US)

(73) Assignee: **Graham Packaging Company, L.P.**,
Lancaster, PA (US)

(**) Term: **15 Years**

(21) Appl. No.: **29/648,325**

(22) Filed: **May 21, 2018**

(51) **LOC (12) Cl.** **09-01**

(52) **U.S. Cl.**
USPC **D9/502**

(58) **Field of Classification Search**
USPC D9/434, 500, 502-503, 516, 530,
D9/537-541, 549, 557-558, 715, 719
CPC B65D 1/00; B65D 1/02; B65D 1/0223;
B65D 1/44; B65D 23/00; B65D 23/102;
B65D 2501/00; B65D 2501/0009; B65D
2501/0018; B65D 2501/0036
See application file for complete search history.

(56) **References Cited**

U.S. PATENT DOCUMENTS

D428,813 S * 8/2000 Haley D9/500
D538,658 S * 3/2007 Horne D9/502
D608,203 S * 1/2010 Yourist D9/502
D610,011 S * 2/2010 De Pieretti D9/500

D642,470 S * 8/2011 Yourist D9/500
D642,471 S * 8/2011 White D9/502
D689,375 S * 9/2013 Garner D9/502
D740,663 S * 10/2015 Zeboudj D9/502
D746,685 S * 1/2016 Foley D9/453
D746,686 S * 1/2016 Yourist D9/502
D746,687 S * 1/2016 Yourist D9/502
D746,688 S * 1/2016 Yourist D9/502
D755,049 S * 5/2016 Clark D9/502
D815,948 S * 4/2018 McCarney D9/502
2008/0308442 A1 * 12/2008 Spigelman B65D 23/00
206/459.1

* cited by examiner

Primary Examiner — Dana Meyrow

(74) *Attorney, Agent, or Firm* — Baker Botts LLP

(57) **CLAIM**

The ornamental design for a container, as shown and described.

DESCRIPTION

FIG. 1 is a front perspective view of a container with a neck finish shown in broken lines.

FIG. 2 is a front view of the container of FIG. 1.

FIG. 3 is a rear view of the container of FIG. 1.

FIG. 4 is a left view of the container of FIG. 1.

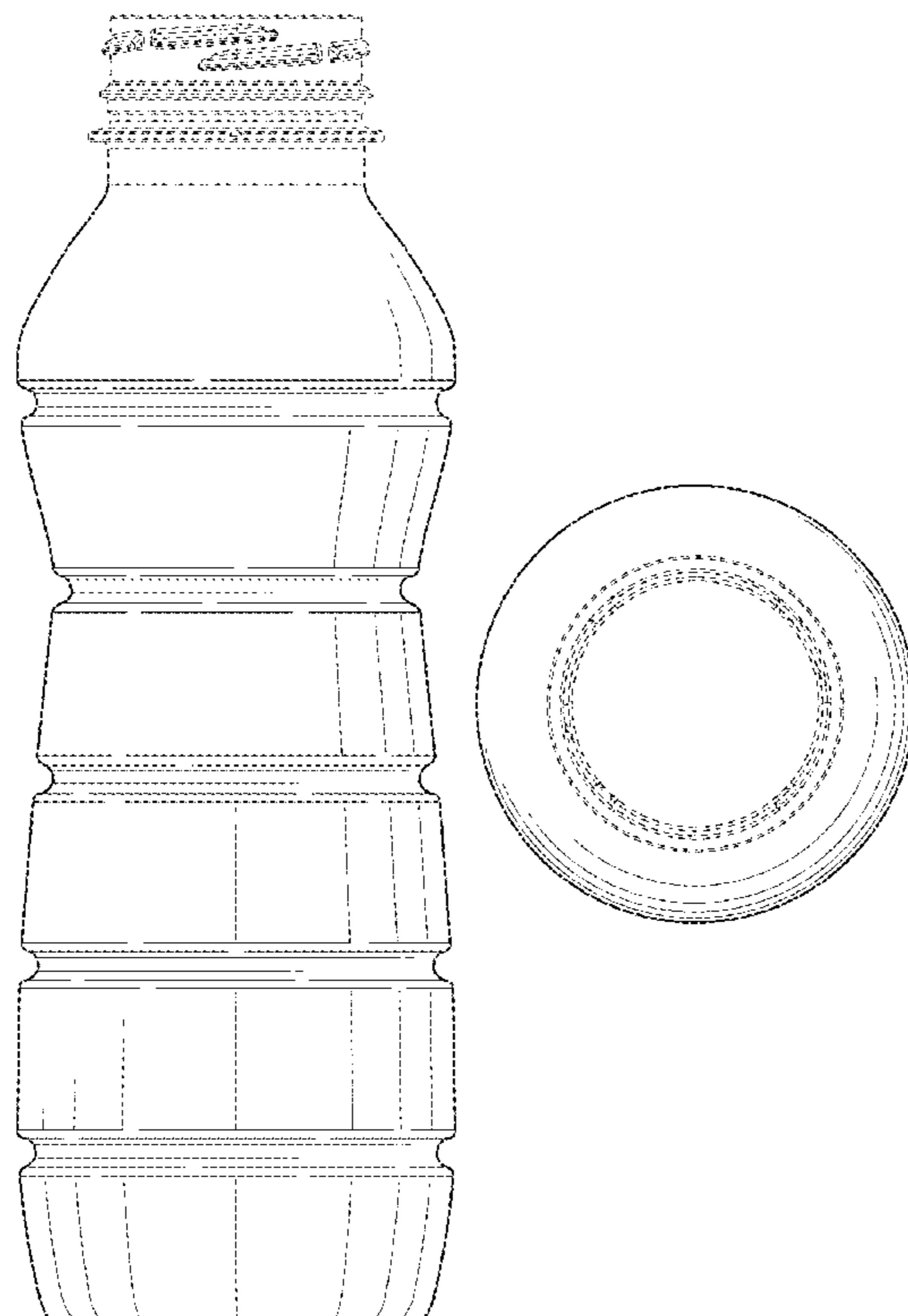
FIG. 5 is a right view of the container of FIG. 1.

FIG. 6 is a top view of the container of FIG. 1; and,

FIG. 7 is a bottom view of the container of FIG. 1 with circular rings in the base shown in broken lines.

The broken lines are shown to indicate unclaimed portions of the container and form no part of the claimed design.

1 Claim, 4 Drawing Sheets



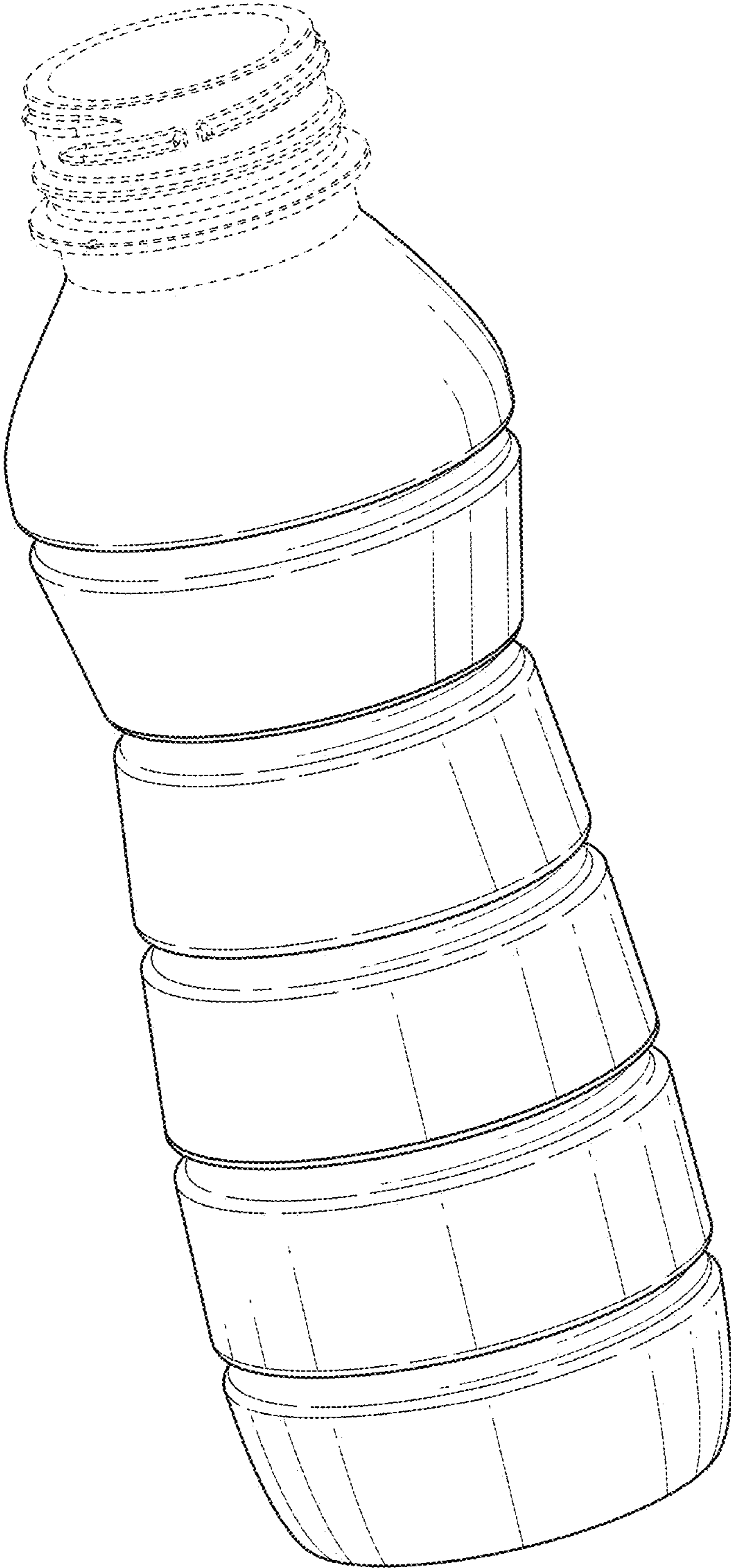


FIG. 1

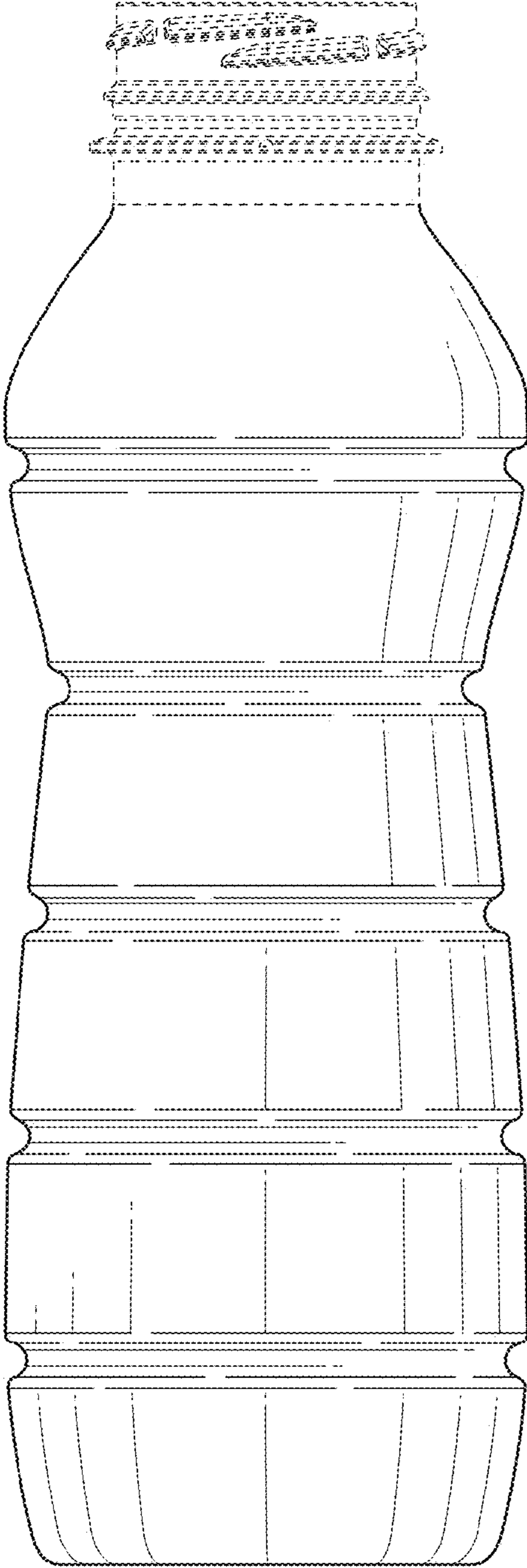


FIG. 2

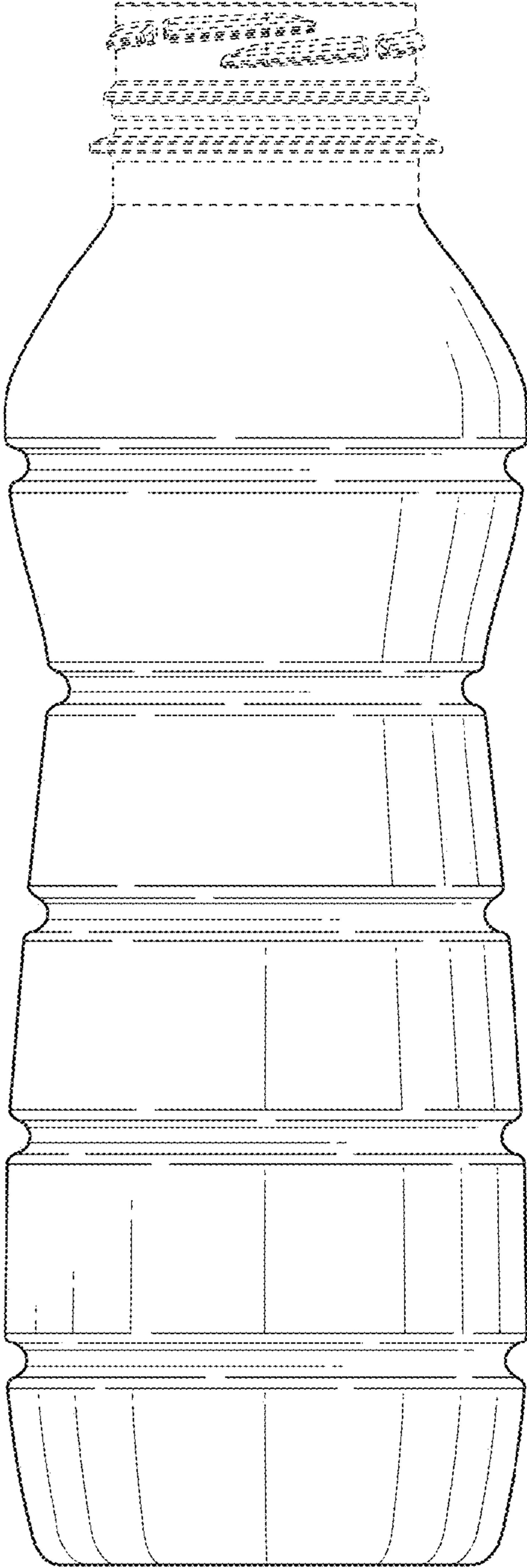


FIG. 3

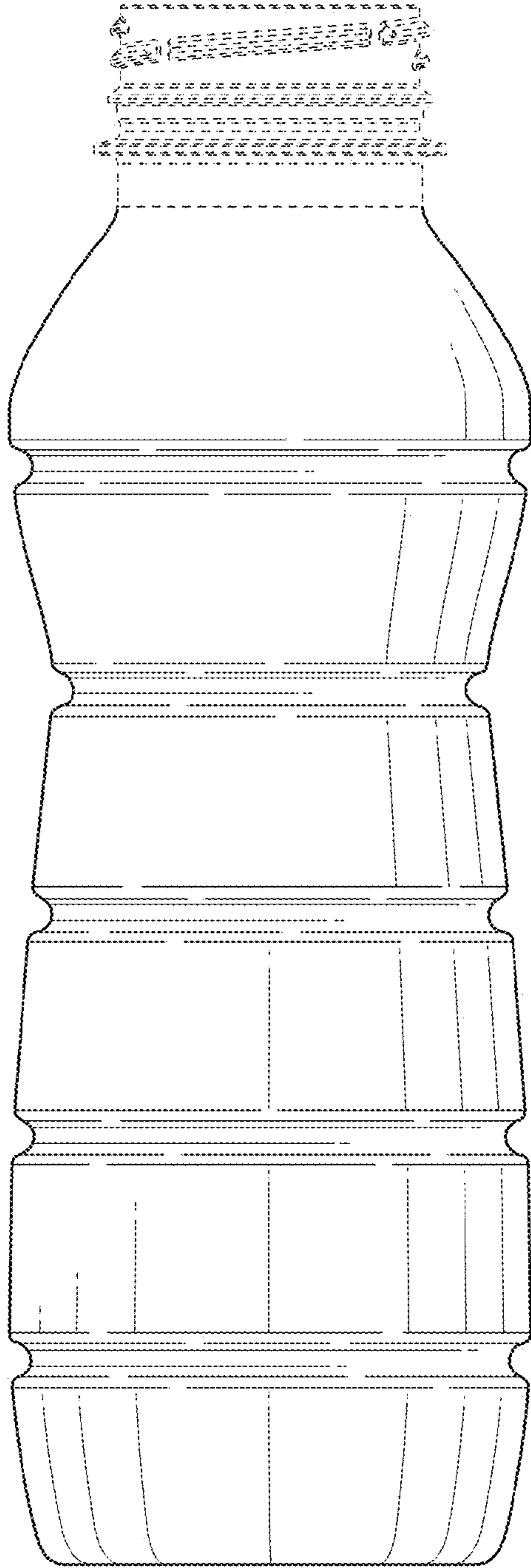


FIG. 4

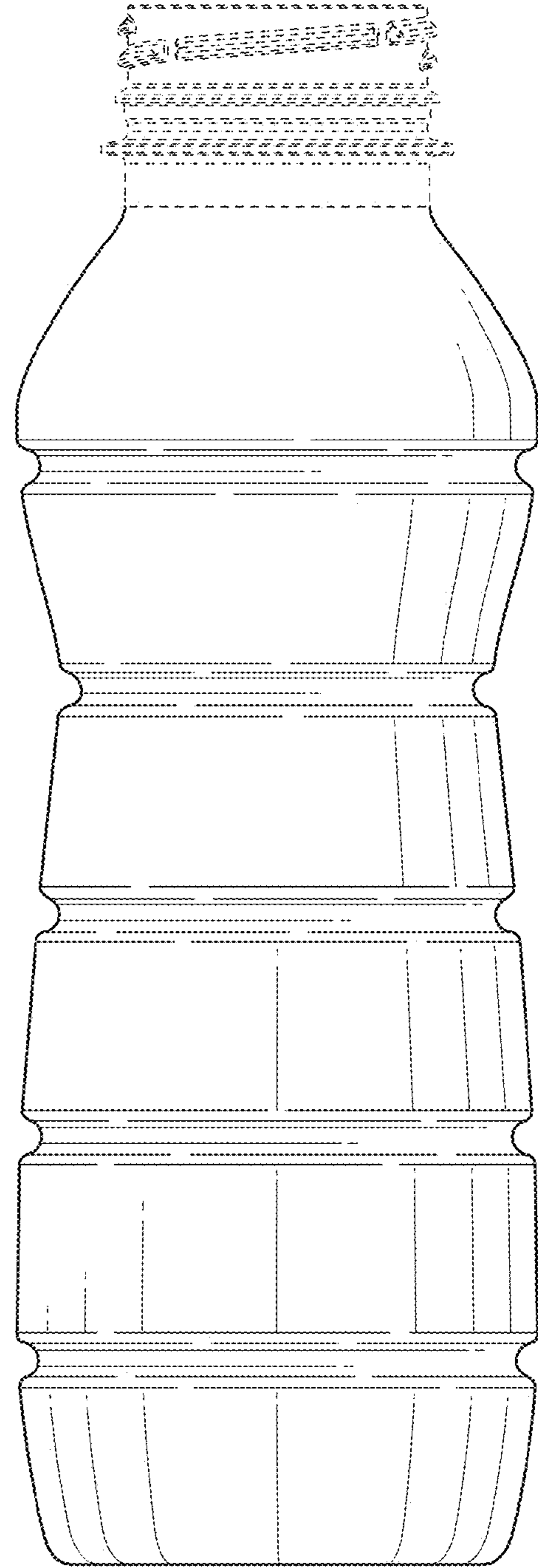


FIG. 5

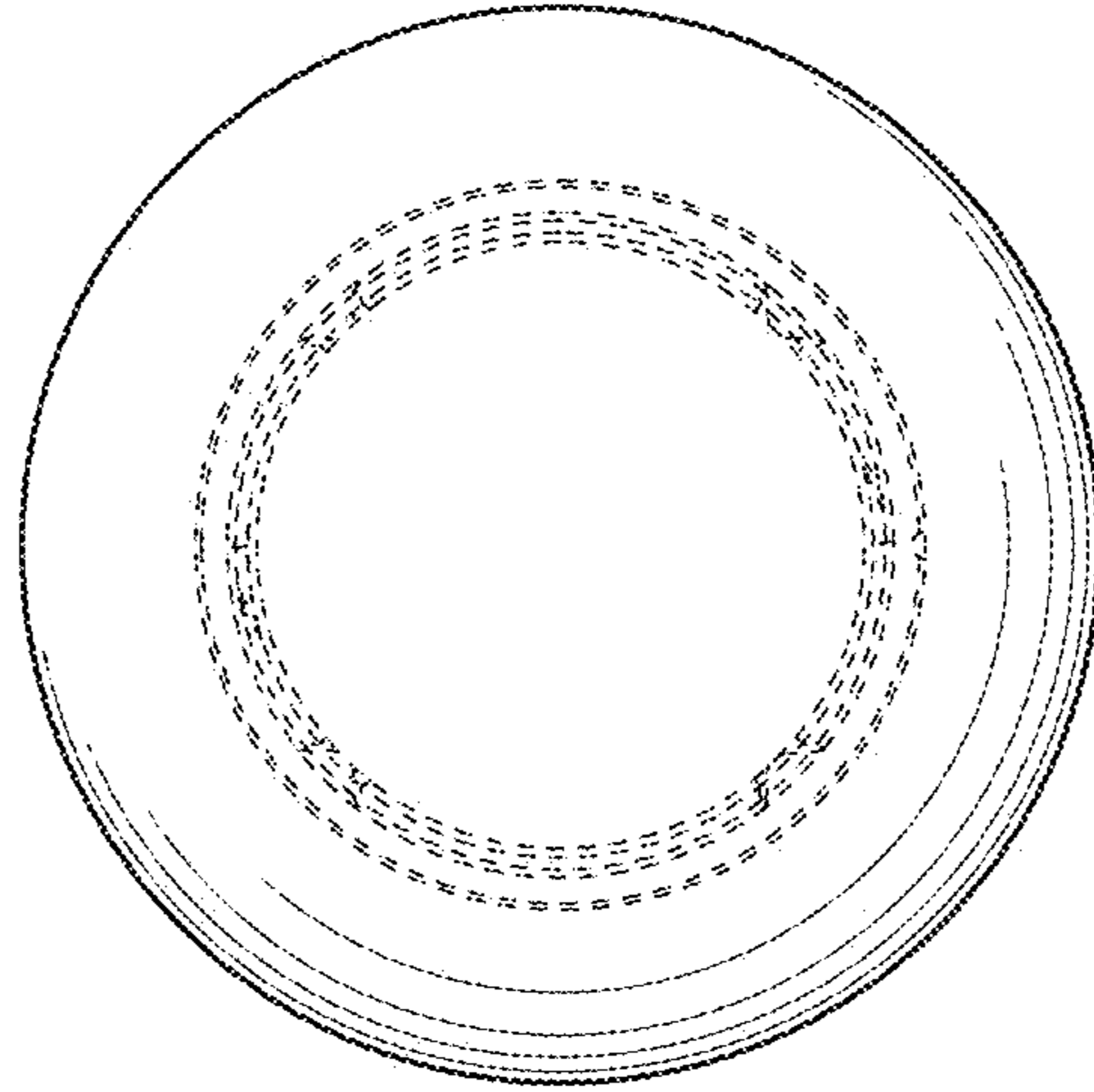


FIG. 6

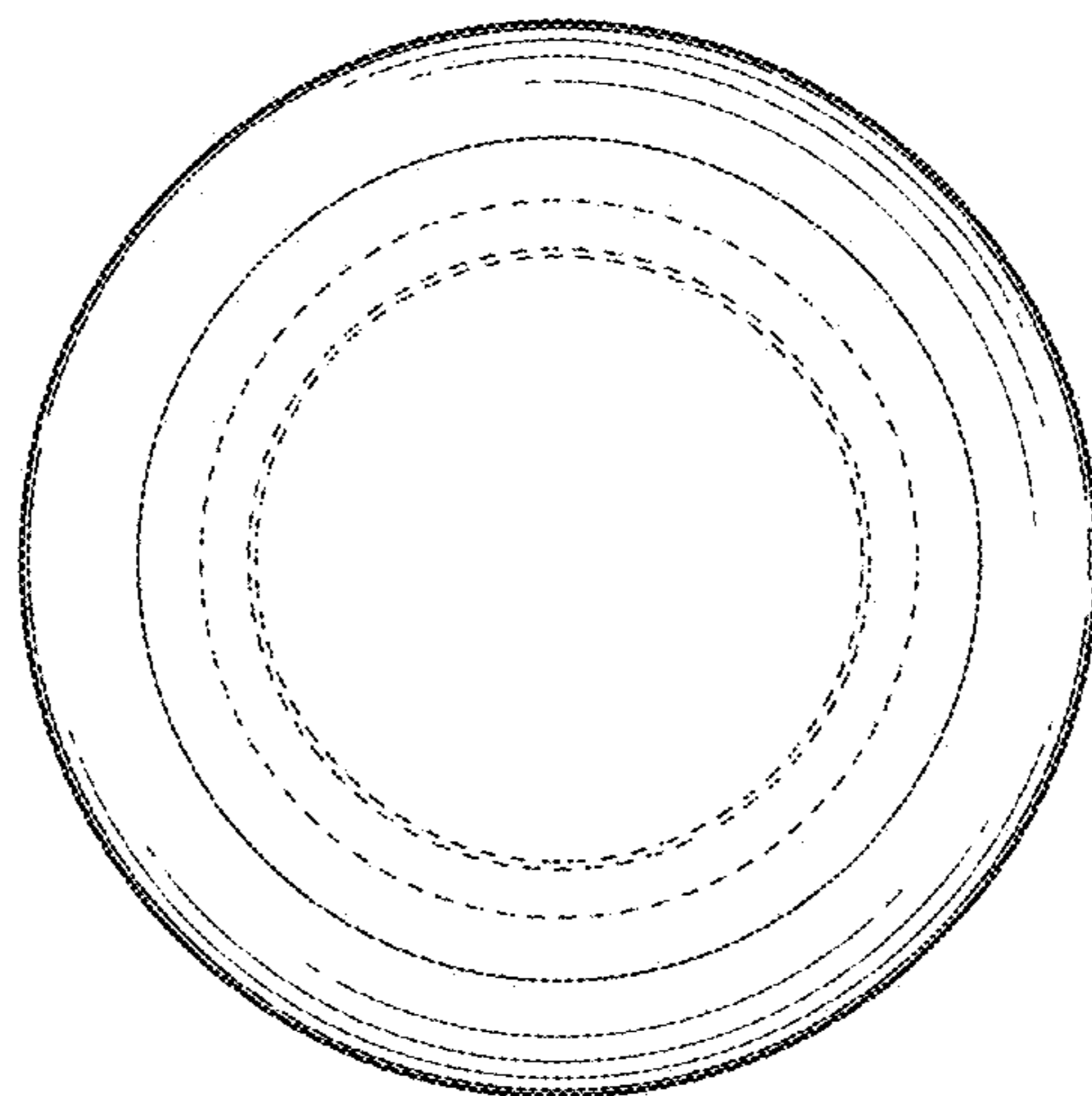


FIG. 7