



US00D874933S

(12) **United States Design Patent**
Friedman

(10) **Patent No.:** **US D874,933 S**

(45) **Date of Patent:** **** Feb. 11, 2020**

- (54) **JAR LID**
- (71) Applicant: **Robert Friedman**, Irvine, CA (US)
- (72) Inventor: **Robert Friedman**, Irvine, CA (US)
- (73) Assignee: **Robert Friedman**, Irvine, CA (US)
- (**) Term: **15 Years**
- (21) Appl. No.: **29/691,447**
- (22) Filed: **May 16, 2019**
- Related U.S. Application Data**
- (62) Division of application No. 29/585,890, filed on Nov. 29, 2016.
- (51) **LOC (12) Cl.** **09-07**
- (52) **U.S. Cl.**
USPC **D9/443**
- (58) **Field of Classification Search**
USPC D9/414, 415, 424, 425, 434, 435, 436, D9/443, 444-452, 454-456, 499, 529, D9/682, 685, 686; D7/387, 391, 392, D7/392.1, 396.1, 396.2, 396.3, 396.4, D7/397, 398, 401.1, 507, 509-511, 538, D7/900; D3/202, 203.2; D28/91, 91.1
CPC .. A61J 1/00; A61J 1/1412; B65D 1/00; B65D 1/02; B65D 1/10; B65D 1/46; B65D 2585/56; B65D 2585/545; B65D 41/00; B65D 41/38; B65D 41/56; B65D 41/62; B65D 47/00; B65D 47/06; B65D 47/08; B65D 2543/00046; B65D 2543/00092; B65D 2543/00296; B65D 5/46; B65D 2251/00
See application file for complete search history.

- (56) **References Cited**
U.S. PATENT DOCUMENTS
1,665,602 A * 4/1928 Netherland B65D 41/0442
215/302
3,567,058 A * 3/1971 Mascia B65D 50/061
215/213

- D276,598 S * 12/1984 Bagwell D9/443
- 4,569,456 A * 2/1986 Weiler B65D 41/58
215/251
- D351,793 S * 10/1994 Stoller D9/443
- D371,485 S * 7/1996 Hickey D7/391
- D387,552 S * 12/1997 Hayman D3/203.2
- 5,941,404 A * 8/1999 Charrette B65D 41/04
215/305
- 6,253,942 B1 * 7/2001 Elias B65D 41/0485
215/305
- D472,145 S * 3/2003 Nottingham D9/443
- D480,973 S * 10/2003 Nottingham D9/531
- D482,974 S * 12/2003 Nottingham D9/531
- D482,975 S * 12/2003 Nottingham D9/532
- D511,100 S * 11/2005 Nottingham D9/528
- D551,971 S * 10/2007 Hardwick D3/294
- D594,750 S * 6/2009 Westphal D9/443
- D616,748 S * 6/2010 Nakamura D9/443
- D621,705 S * 8/2010 Breckan D9/443

(Continued)

Primary Examiner — Michael A. Pratt
Assistant Examiner — Wendy L Arminio
 (74) *Attorney, Agent, or Firm* — Fish IP Law, LLP

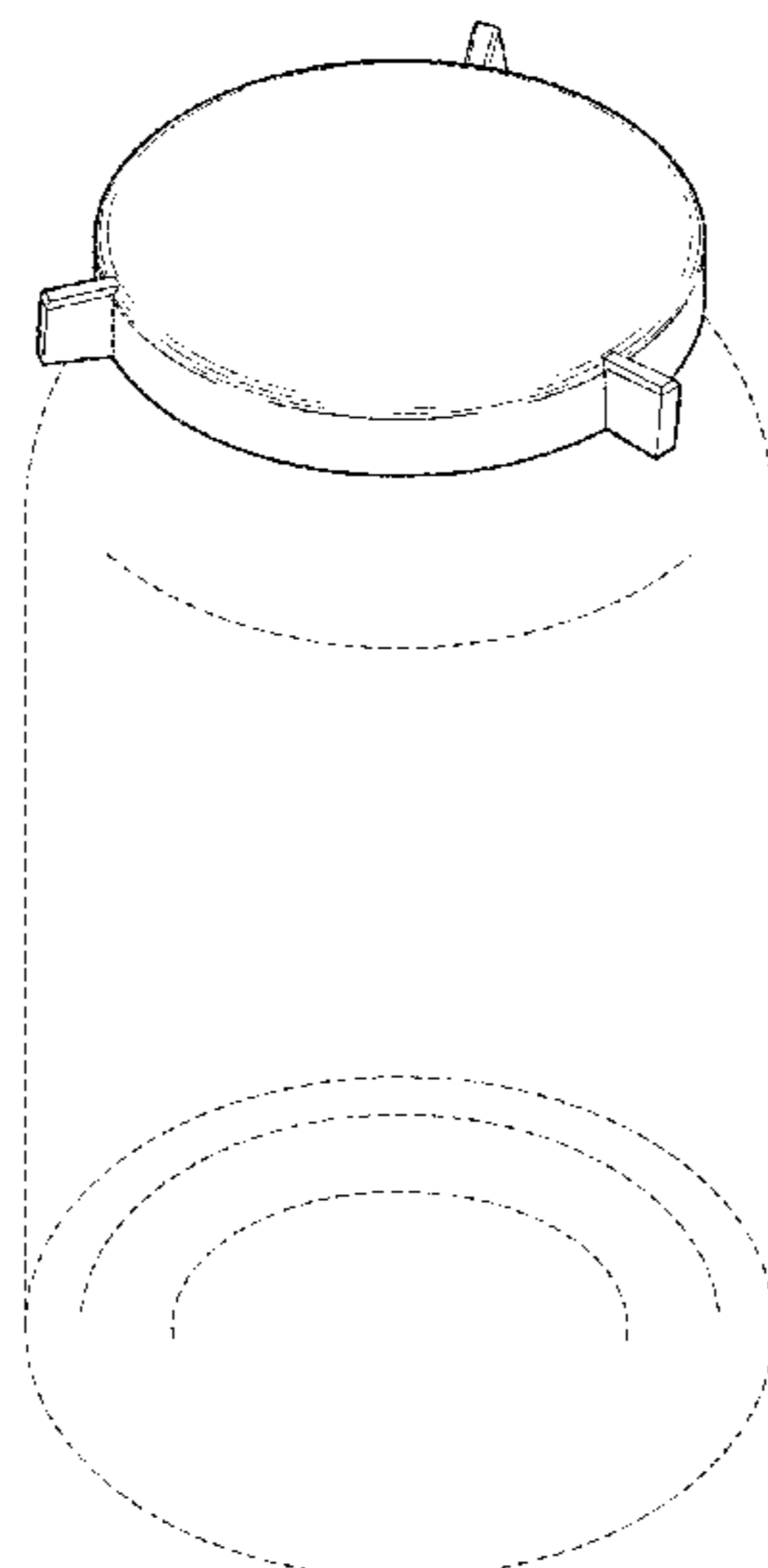
(57) **CLAIM**

The ornamental design for a jar lid, as shown and described.

DESCRIPTION

FIG. 1 is a perspective view of a jar lid shown in a position of use on a jar drawn in broken lines.
 FIG. 2 is a top view of the jar lid of FIG. 1, shown removed from the jar.
 FIG. 3 is a side view thereof; and,
 FIG. 4 is a front view thereof.
 The broken lines depict environment and form no part of the claimed design.

1 Claim, 1 Drawing Sheet



(56)

References Cited

U.S. PATENT DOCUMENTS

D621,706 S *	8/2010	Breckan	D9/443
D621,707 S *	8/2010	Breckan	D9/443
D623,533 S *	9/2010	Nakamura	D9/443
D695,511 S *	12/2013	Sharpe	D3/203.2
D715,147 S *	10/2014	Ginzburg	D9/449
D727,726 S *	4/2015	Friedman	D9/443
D739,204 S *	9/2015	Arthurs	D8/307
D741,712 S *	10/2015	Mohr	D9/448
D751,384 S *	3/2016	Torrison	D9/416
D756,774 S *	5/2016	McWilliams	D9/443
D777,342 S *	1/2017	Piramoone	D24/224
D779,324 S *	2/2017	Martini	D9/443
D784,132 S *	4/2017	Johnson	D9/434
9,650,179 B2 *	5/2017	Sheikh	B65D 33/16
D829,098 S *	9/2018	Gallagher	D9/443

* cited by examiner

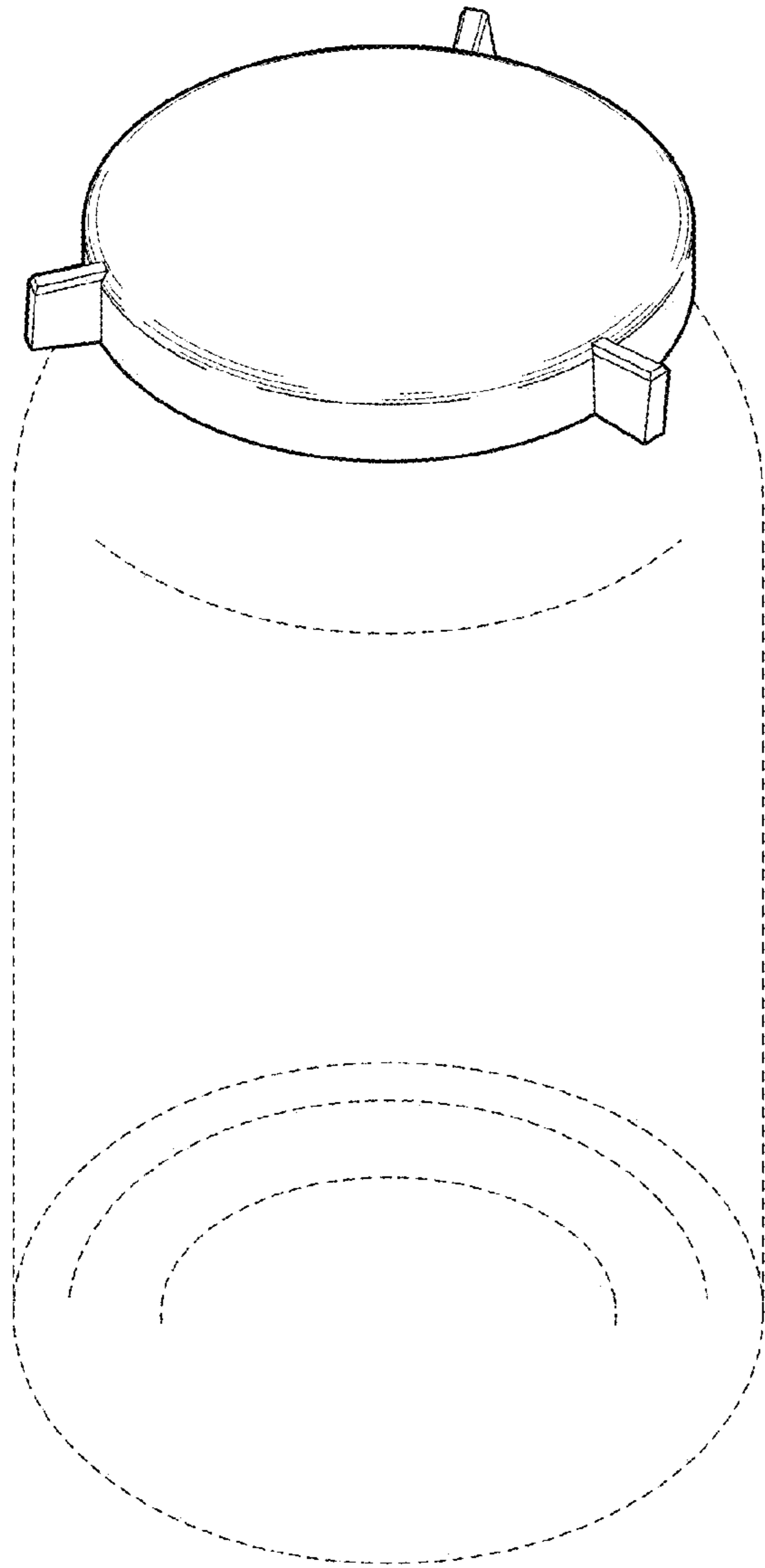


FIG. 1

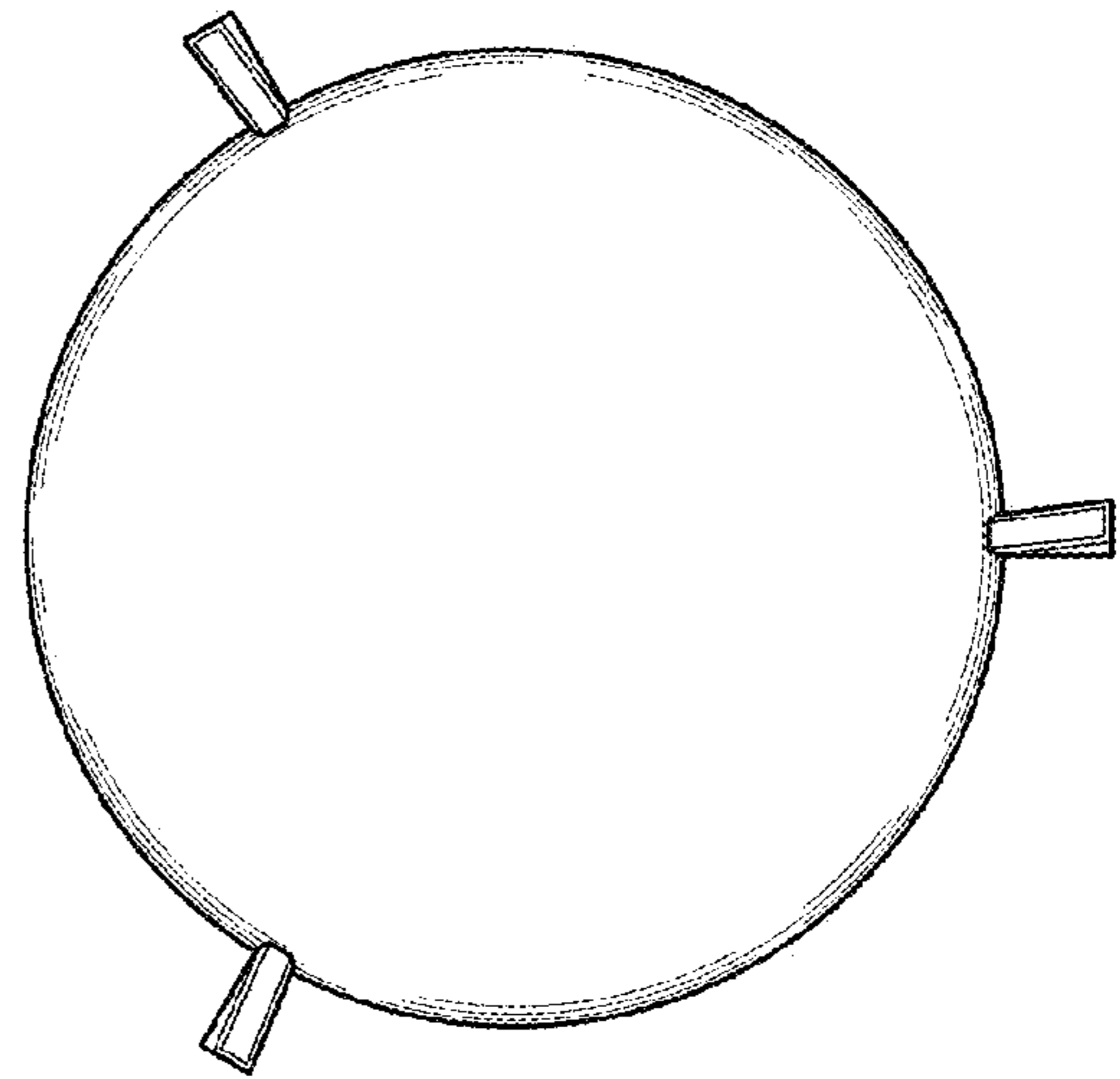


FIG. 2

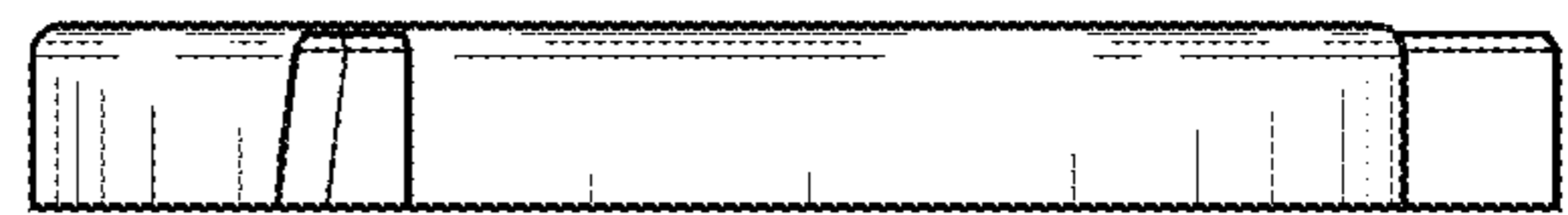


FIG. 3

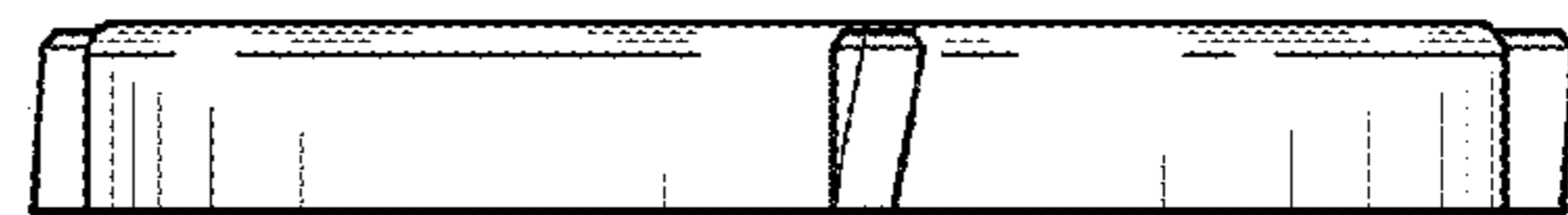


FIG. 4