



US00D874931S

(12) **United States Design Patent** (10) **Patent No.:** **US D874,931 S**  
**Friedman** (45) **Date of Patent:** **\*\* Feb. 11, 2020**

(54) **JAR LID**  
(71) Applicant: **Robert Friedman**, Irvine, CA (US)  
(72) Inventor: **Robert Friedman**, Irvine, CA (US)  
(73) Assignee: **Robert Friedman**, Irvine, CA (US)  
(\*\*) Term: **15 Years**  
(21) Appl. No.: **29/691,438**  
(22) Filed: **May 16, 2019**  
**Related U.S. Application Data**  
(62) Division of application No. 29/585,890, filed on Nov. 29, 2016.  
(51) **LOC (12) Cl.** ..... **09-07**  
(52) **U.S. Cl.**  
USPC ..... **D9/443**  
(58) **Field of Classification Search**  
USPC ..... D9/414, 415, 424, 425, 434, 435, 436, D9/443, 444-452, 454-456, 499, 529, D9/682, 685, 686; D7/387, 391, 392, D7/392.1, 396.1, 396.2, 396.3, 396.4, D7/397, 398, 401.1, 507, 509-511, 538, D7/900; D3/202, 203.2; D28/91, 91.1  
CPC .. A61J 1/00; A61J 1/1412; B65D 1/00; B65D 1/02; B65D 1/10; B65D 1/46; B65D 2585/56; B65D 2585/545; B65D 41/00; B65D 41/38; B65D 41/56; B65D 41/62; B65D 47/00; B65D 47/06; B65D 47/08; B65D 2543/00046; B65D 2543/00092; B65D 2543/00296; B65D 5/46; B65D 2251/00  
See application file for complete search history.

(56) **References Cited**  
U.S. PATENT DOCUMENTS  
1,665,602 A \* 4/1928 Netherland ..... B65D 41/0442  
215/302  
3,567,058 A \* 3/1971 Mascia ..... B65D 50/061  
215/213

D276,598 S \* 12/1984 Bagwell ..... D9/443  
4,569,456 A \* 2/1986 Weiler ..... B65D 41/58  
215/251  
D351,793 S \* 10/1994 Stoller ..... D9/443  
D371,485 S \* 7/1996 Hickey ..... D7/391  
D387,552 S \* 12/1997 Hayman ..... D3/203.2  
5,941,404 A \* 8/1999 Charrette ..... B65D 41/04  
215/305  
6,253,942 B1 \* 7/2001 Elias ..... B65D 41/0485  
215/305  
D472,145 S \* 3/2003 Nottingham ..... D9/443  
D480,973 S \* 10/2003 Nottingham ..... D9/531  
D482,974 S \* 12/2003 Nottingham ..... D9/531  
D482,975 S \* 12/2003 Nottingham ..... D9/532  
D511,100 S \* 11/2005 Nottingham ..... D9/528  
D551,971 S \* 10/2007 Hardwick ..... D3/294  
D594,750 S \* 6/2009 Westphal ..... D9/443  
D616,748 S \* 6/2010 Nakamura ..... D9/443  
D621,705 S \* 8/2010 Breckan ..... D9/443

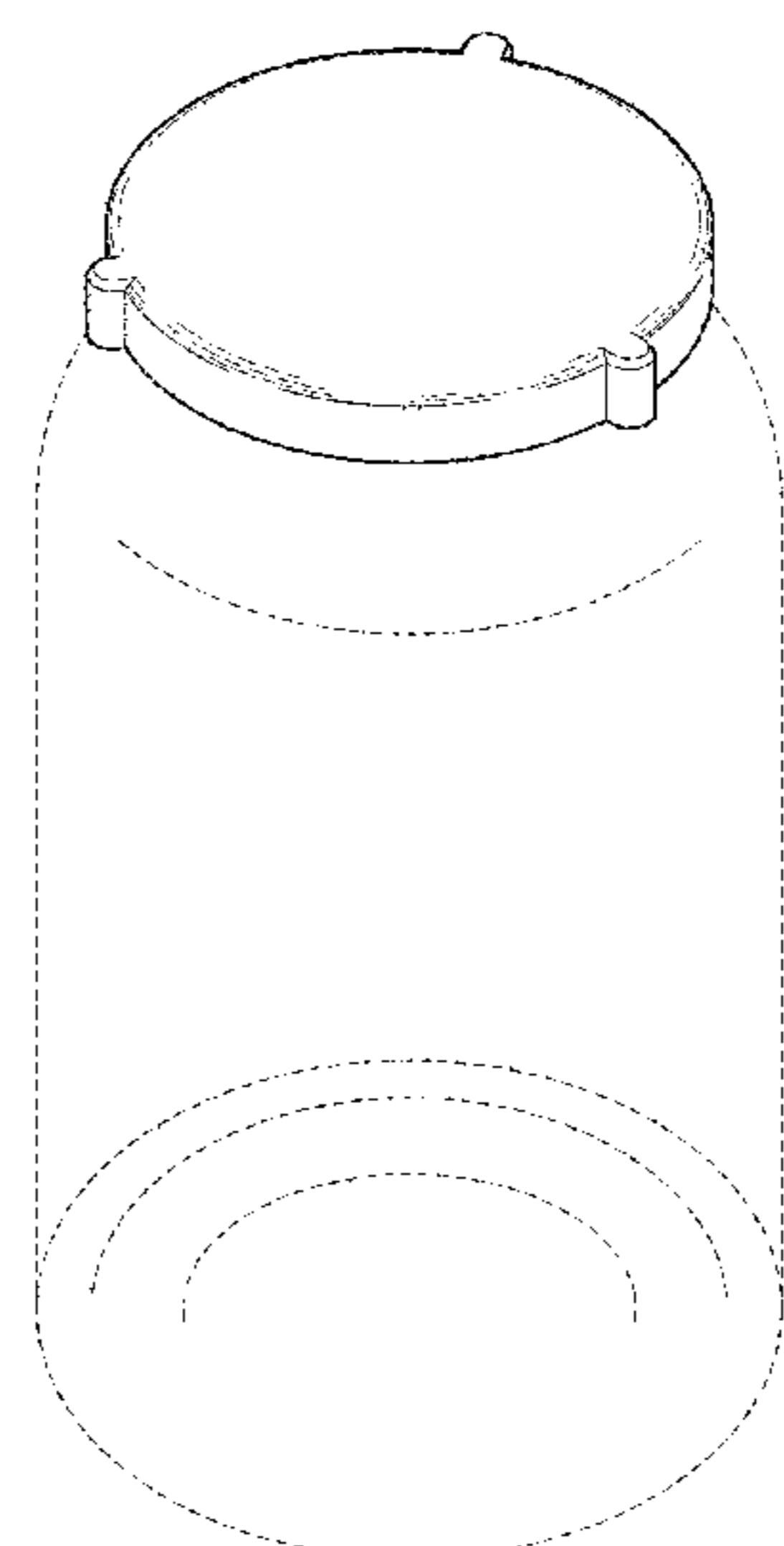
(Continued)

*Primary Examiner* — Michael A. Pratt  
*Assistant Examiner* — Wendy L Arminio  
(74) *Attorney, Agent, or Firm* — Fish IP Law, LLP

(57) **CLAIM**  
The ornamental design for a jar lid, as shown and described.

**DESCRIPTION**  
FIG. 1 is a perspective view of a jar lid, shown in a position of use on a jar drawn in broken lines.  
FIG. 2 is a top view of the jar lid of FIG. 1, shown removed from the jar.  
FIG. 3 is a side view thereof; and,  
FIG. 4 is a front view thereof.  
The broken lines depict environment and form no part of the claimed design.

**1 Claim, 1 Drawing Sheet**



(56)

**References Cited**

U.S. PATENT DOCUMENTS

D621,706	S	*	8/2010	Breckan	.....	D9/443
D621,707	S	*	8/2010	Breckan	.....	D9/443
D623,533	S	*	9/2010	Nakamura	.....	D9/443
D695,511	S	*	12/2013	Sharpe	.....	D3/203.2
D715,147	S	*	10/2014	Ginzburg	.....	D9/449
D727,726	S	*	4/2015	Friedman	.....	D9/443
D739,204	S	*	9/2015	Arthurs	.....	D8/307
D741,712	S	*	10/2015	Mohr	.....	D9/448
D751,384	S	*	3/2016	Torrison	.....	D9/416
D756,774	S	*	5/2016	McWilliams	.....	D9/443
D777,342	S	*	1/2017	Piramoan	.....	D24/224
D779,324	S	*	2/2017	Martini	.....	D9/443
D784,132	S	*	4/2017	Johnson	.....	D9/434
9,650,179	B2	*	5/2017	Sheikh	.....	B65D 33/16
D829,098	S	*	9/2018	Gallagher	.....	D9/443

\* cited by examiner

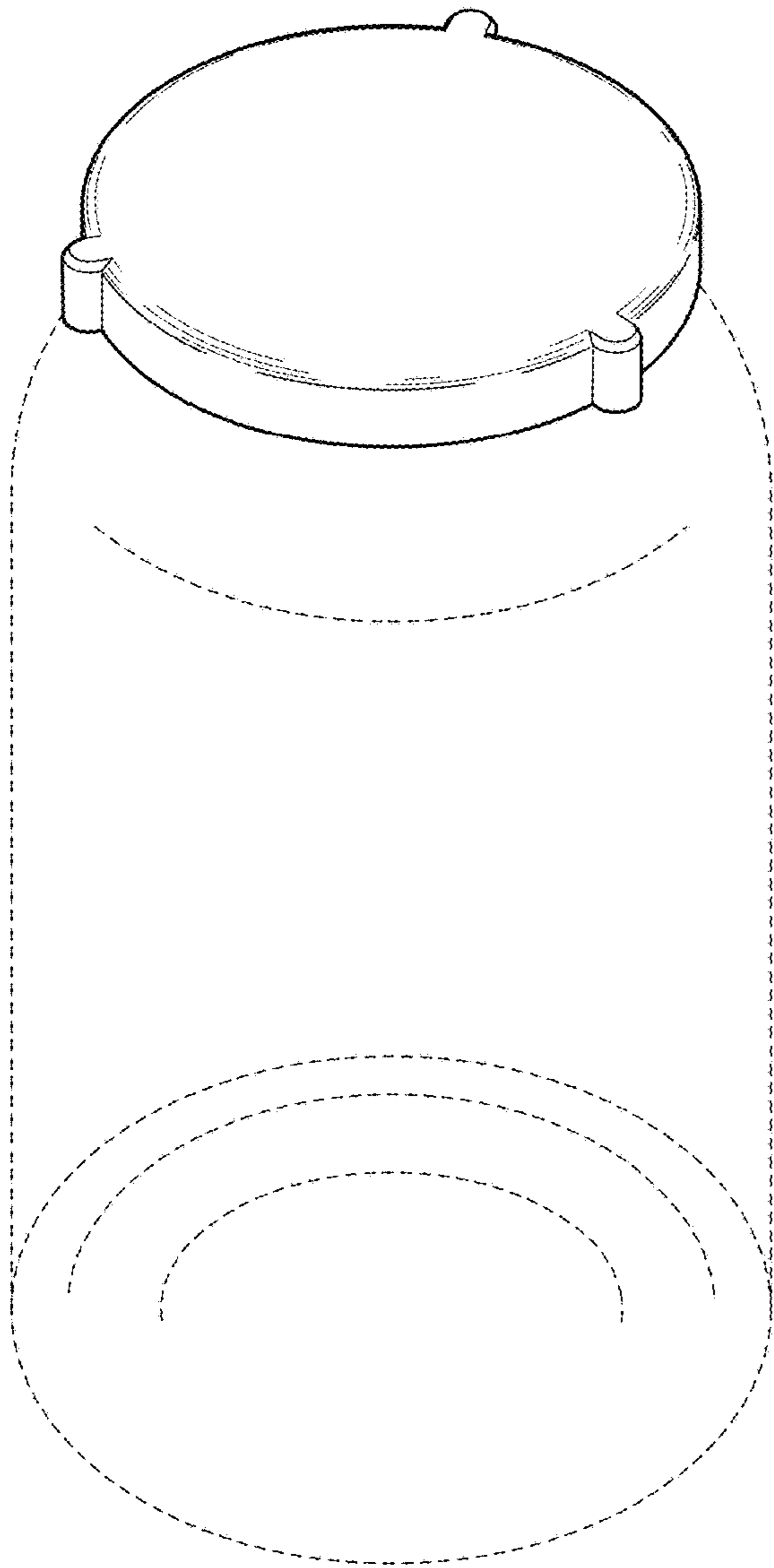


FIG. 1

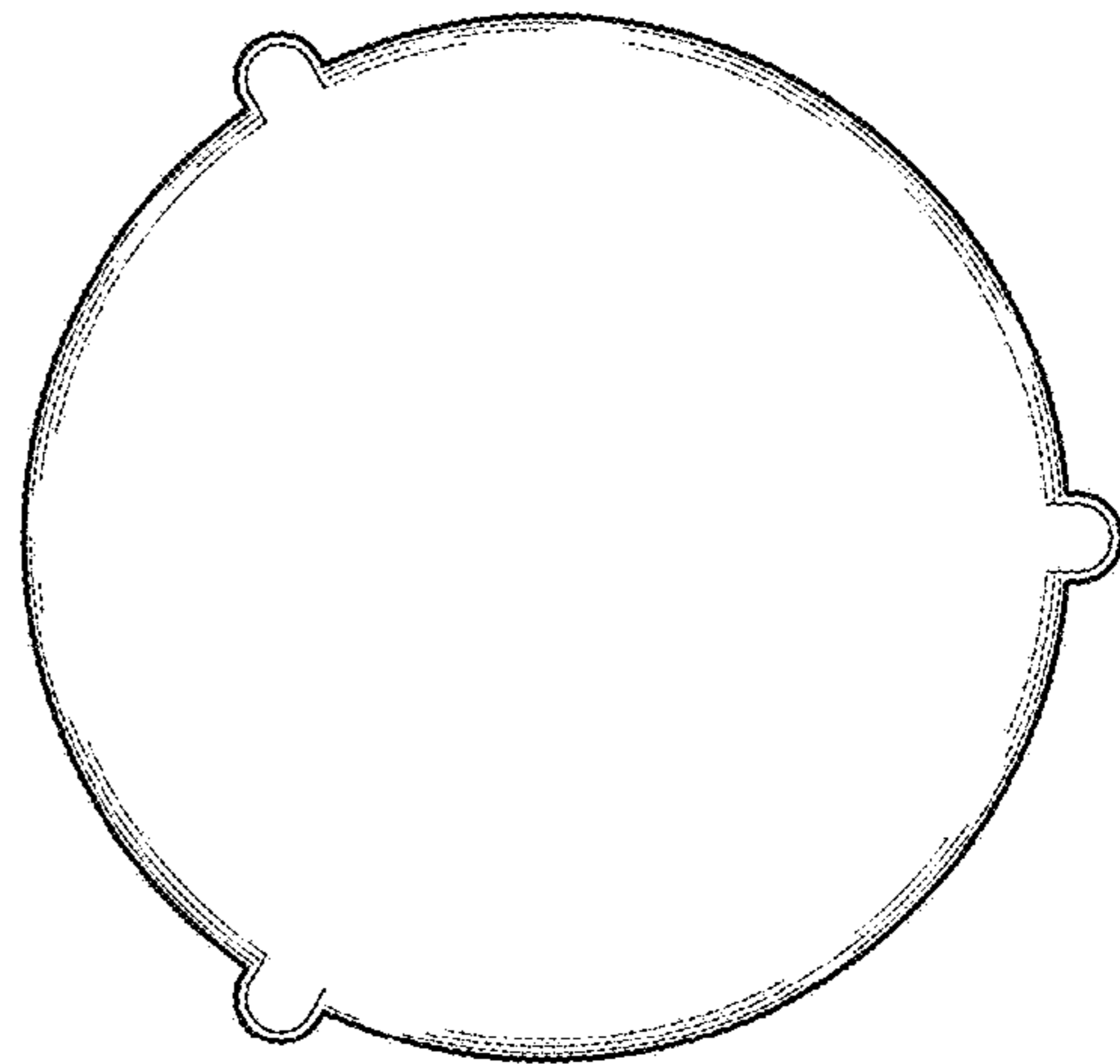


FIG. 2



FIG. 3



FIG. 4