



US00D874926S

(12) **United States Design Patent** (10) **Patent No.:** **US D874,926 S**
Powers et al. (45) **Date of Patent:** **** Feb. 11, 2020**

(54) **OVER THE COUNTER MEDICINAL CONTAINER WITH SURFACE ORNAMENTATION**

Primary Examiner — Rhea Shields
(74) *Attorney, Agent, or Firm* — Amanda Herman Berghauer

(71) Applicant: **The Procter & Gamble Company**, Cincinnati, OH (US)

(72) Inventors: **Diane Danheiser Powers**, Mason, OH (US); **Andrea Marie Subler**, West Chester, OH (US)

(73) Assignee: **The Procter & Gamble Company**, Cincinnati, OH (US)

(**) Term: **15 Years**

(21) Appl. No.: **29/636,069**

(22) Filed: **Feb. 6, 2018**

Related U.S. Application Data

(60) Division of application No. 29/550,497, filed on Jan. 5, 2016, now Pat. No. Des. 813,030, which is a (Continued)

(51) **LOC (12) Cl.** **09-03**

(52) **U.S. Cl.**
USPC **D9/434; D9/414**

(58) **Field of Classification Search**
USPC D9/414–418, 432–435, 649, 655, 711, D9/669, 645, 499, 516, 625
(Continued)

(56) **References Cited**

U.S. PATENT DOCUMENTS

6,195,015 B1 2/2001 Jacobs et al.
D489,002 S * 4/2004 Meyer D9/669
(Continued)

OTHER PUBLICATIONS

All Office Actions for U.S. Appl. No. 29/550,497, filed Jan. 5, 2016.
(Continued)

(57) **CLAIM**

The ornamental design for an over the counter medicinal container with surface ornamentation, as shown and described.

DESCRIPTION

The present application file contains at least one drawing executed in color. Copies of this patent or patent application publication with color drawing(s) will be provided by the Office upon request and payment of the necessary fee.

FIG. 1 is a perspective view of an over the counter medicinal container with surface ornamentation embodying our new design;

FIG. 2 is a front view thereof;

FIG. 3 is a rear view thereof;

FIG. 4 is a right side view thereof;

FIG. 5 is a left side view thereof;

FIG. 6 is a top view thereof;

FIG. 7 is a bottom view thereof;

FIG. 8 is a perspective view of a second embodiment of an over the counter medicinal container with surface ornamentation embodying our new design;

FIG. 9 is a front view thereof;

FIG. 10 is a rear view thereof;

FIG. 11 is a right side view thereof;

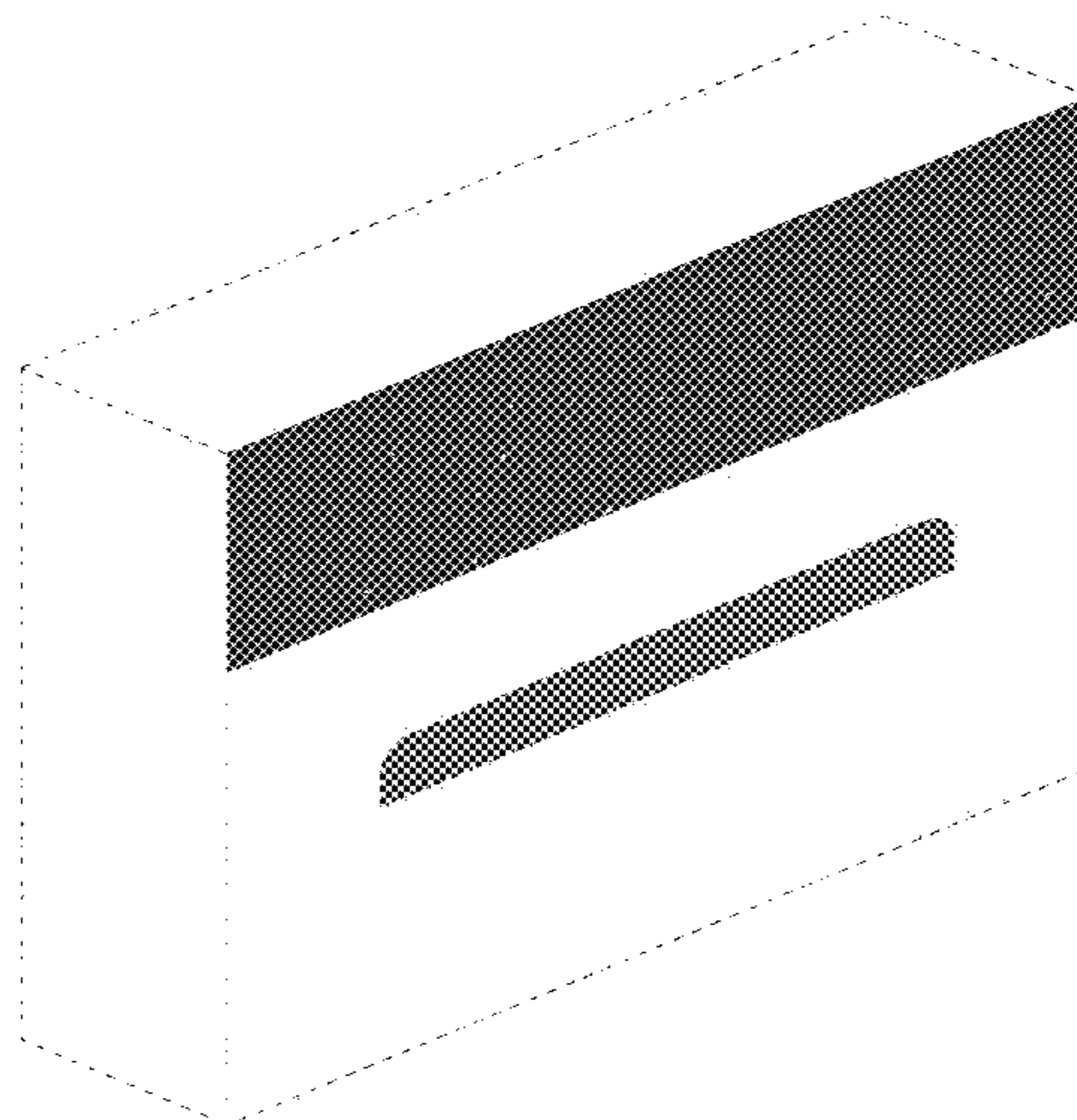
FIG. 12 is a left side view thereof;

FIG. 13 is a top view thereof; and,

FIG. 14 is a bottom view thereof.

In the drawings, the broken lines are for the purpose of illustrating environment only and form no part of the claimed design.

1 Claim, 7 Drawing Sheets
(4 of 7 Drawing Sheet(s) Filed in Color)



Related U.S. Application Data

division of application No. 29/526,166, filed on May 7, 2015, now Pat. No. Des. 749,947, which is a continuation of application No. 29/443,217, filed on Jan. 15, 2013, now abandoned, which is a continuation of application No. 29/401,368, filed on Sep. 12, 2011, now Pat. No. Des. 677,580, which is a continuation-in-part of application No. 29/387,106, filed on Mar. 9, 2011, now Pat. No. Des. 669,790.

(58) **Field of Classification Search**

CPC B65D 5/42
See application file for complete search history.

(56) **References Cited**

U.S. PATENT DOCUMENTS

D562,694 S	*	2/2008	Norton	D9/649
D584,611 S		1/2009	Ames et al.		
D587,111 S		2/2009	Seol et al.		
D590,250 S		4/2009	Seol		
D590,251 S		4/2009	Seol et al.		
D590,252 S		4/2009	Seol et al.		
D590,253 S		4/2009	Seol et al.		
D599,201 S	*	9/2009	Seol	D9/432
D600,548 S		9/2009	Seol et al.		
D603,701 S	*	11/2009	Seol	D9/432
D608,636 S	*	1/2010	Seol	D9/432
D610,904 S	*	3/2010	Russell	D9/432
D612,261 S	*	3/2010	Champion	D9/432
D615,418 S		5/2010	Criss et al.		
D625,196 S	*	10/2010	Partin	D9/645
D626,010 S	*	10/2010	Criss	D9/711
D632,973 S	*	2/2011	Criss	D9/711
D637,486 S	*	5/2011	Andrew	D5/7
D639,179 S	*	6/2011	Powers	D9/434

D650,273 S	*	12/2011	Tekulve	D9/432
D656,826 S	*	4/2012	Bohache	D9/516
D669,790 S	*	10/2012	Powers	D9/434
D677,580 S	*	3/2013	Powers	D9/434
D684,467 S	*	6/2013	Macaulay	D9/432
D687,707 S	*	8/2013	Craig	D9/434
D691,470 S	*	10/2013	Macaulay	D9/434
D691,887 S	*	10/2013	Macaulay	D9/434
D710,687 S	*	8/2014	Katopo	B65D 5/42
					D9/432
D718,620 S	*	12/2014	Bischoff	D9/435
D740,651 S	*	10/2015	Uribe	D9/414
D741,710 S	*	10/2015	Katopo	D9/433
D745,394 S	*	12/2015	Hood	D9/432
D749,945 S		2/2016	Katopo et al.		
D749,947 S	*	2/2016	Powers	D9/434
D753,487 S	*	4/2016	Wells	D9/434
D754,003 S	*	4/2016	Pfeiffer	D9/655
D768,501 S	*	10/2016	Spenceman	D9/434
D772,712 S	*	11/2016	Uribe	D9/499
D777,035 S	*	1/2017	Uribe	D9/499
D783,396 S	*	4/2017	Riffe	D9/434
D783,397 S	*	4/2017	Riffe	D9/434
D795,073 S	*	8/2017	Powers	D9/499
D796,314 S	*	9/2017	Riffe	D9/414
D813,030 S	*	3/2018	Powers	D9/516
D820,676 S	*	6/2018	Powers	D9/625
D842,097 S	*	3/2019	Huggins	D9/432

OTHER PUBLICATIONS

All Office Actions for U.S. Appl. No. 29/526,166, filed May 7, 2015.
All Office Actions for U.S. Appl. No. 29/443,217, filed Jan. 15, 2013.
All Office Actions for U.S. Appl. No. 29/401,368, filed Sep. 12, 2011.
All Office Actions for U.S. Appl. No. 29/387,106, filed Mar. 9, 2011.

* cited by examiner

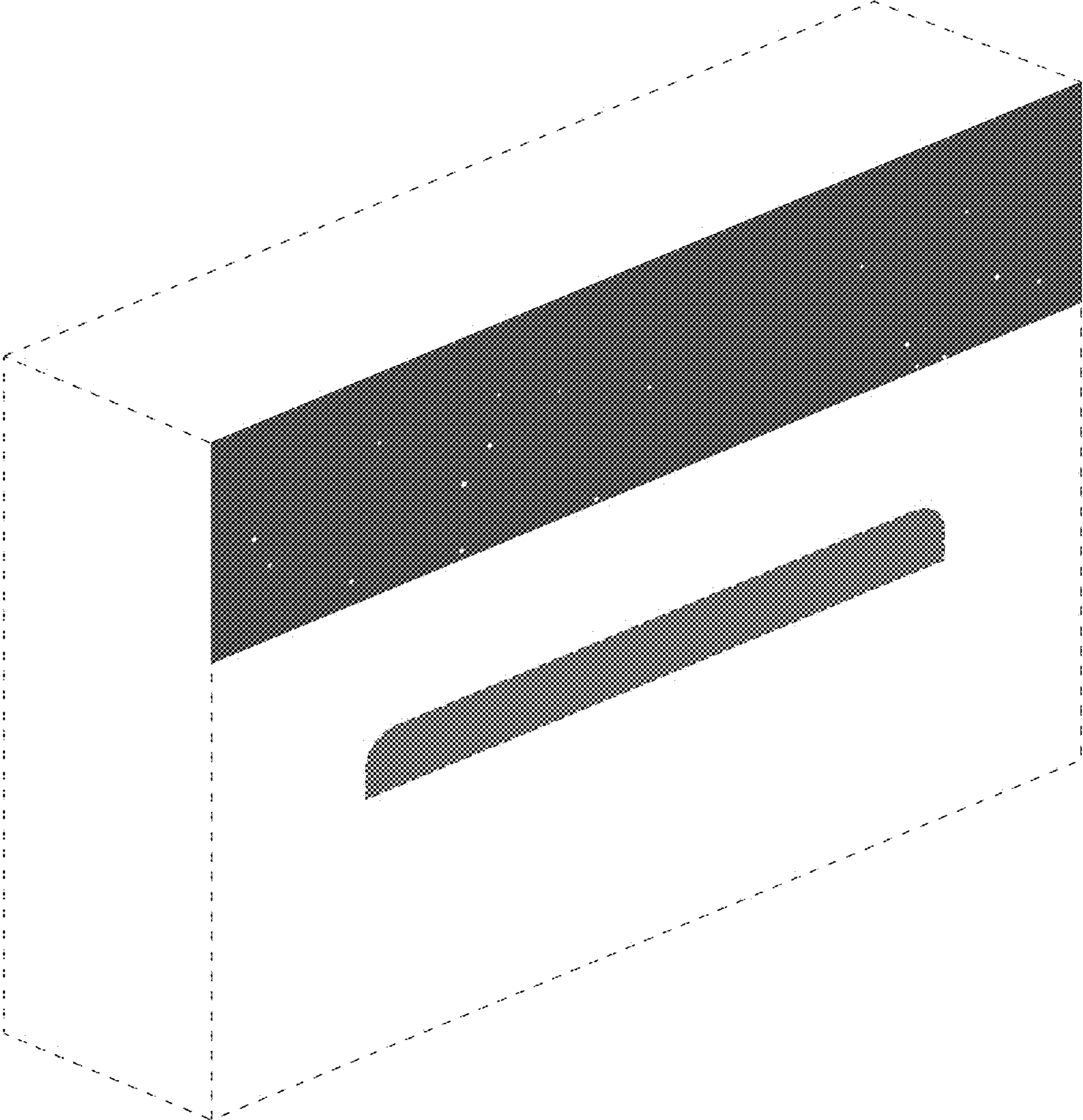


Fig. 1



Fig. 2



Fig. 3

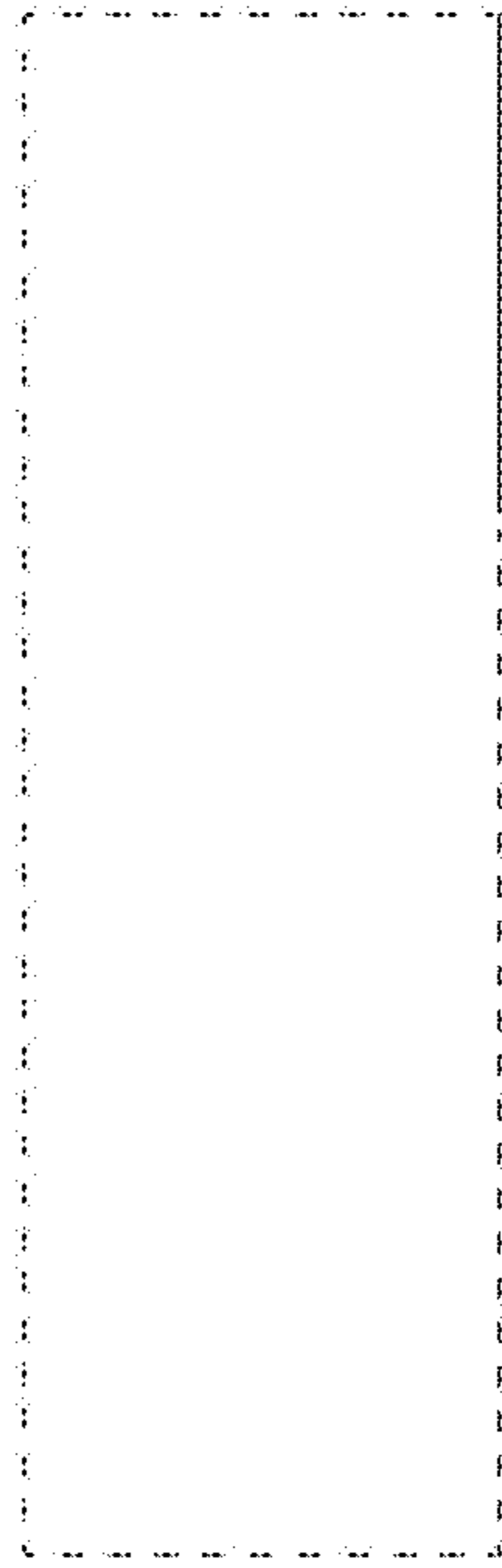


Fig. 4

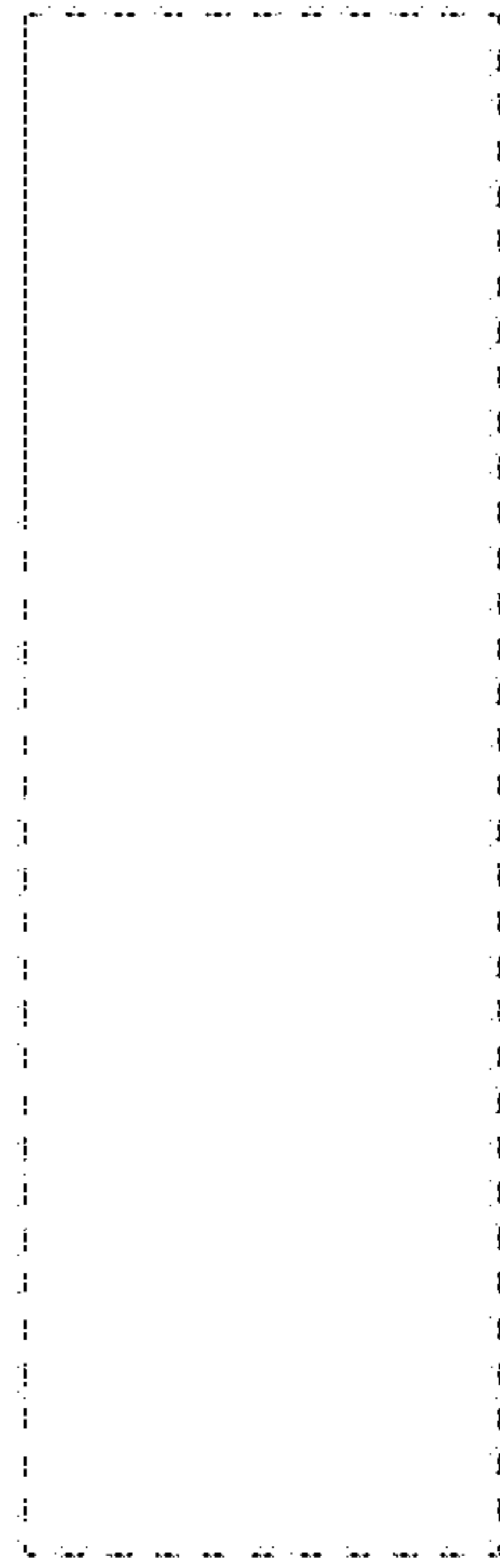


Fig. 5

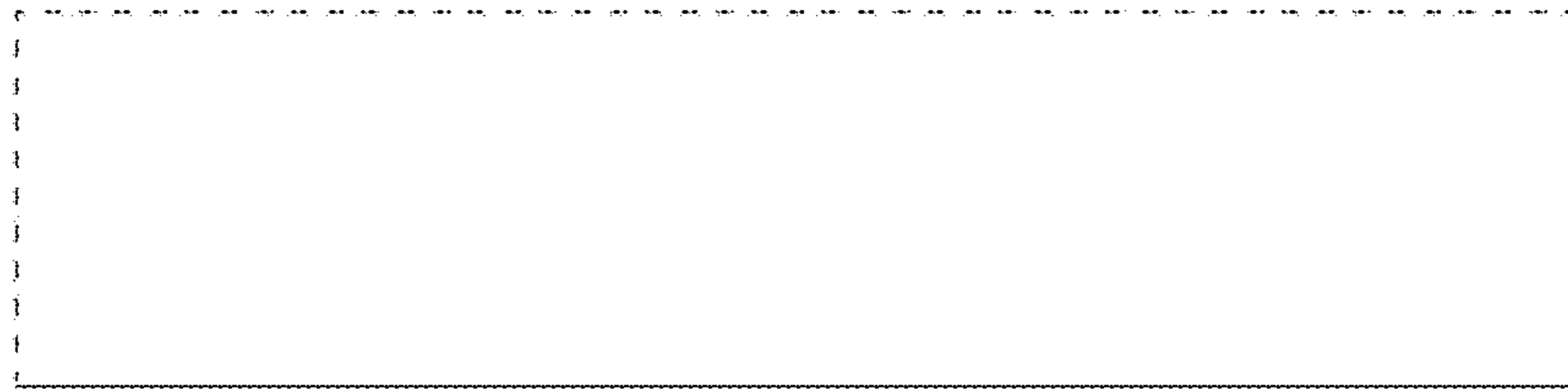


Fig. 6

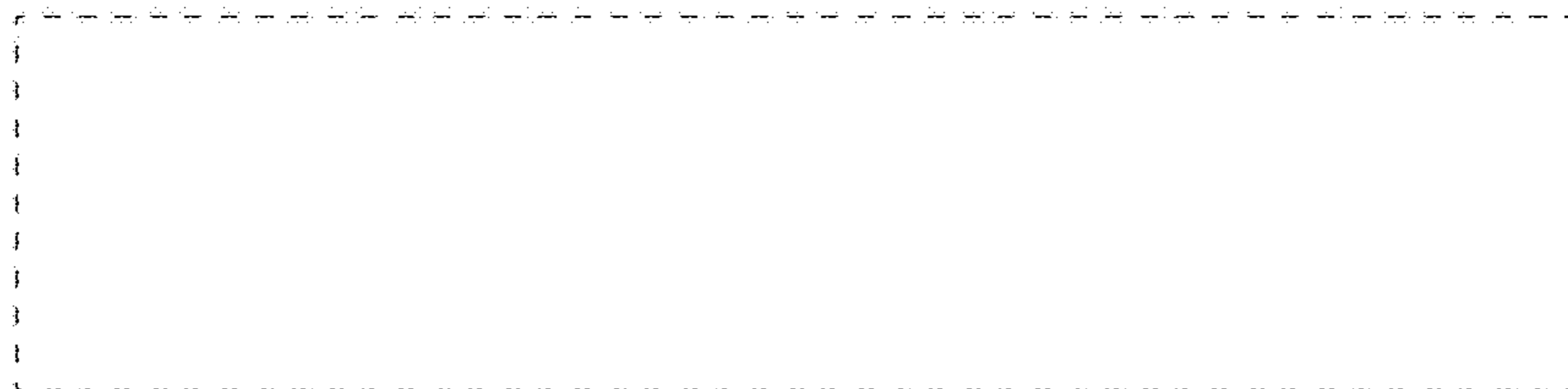


Fig. 7

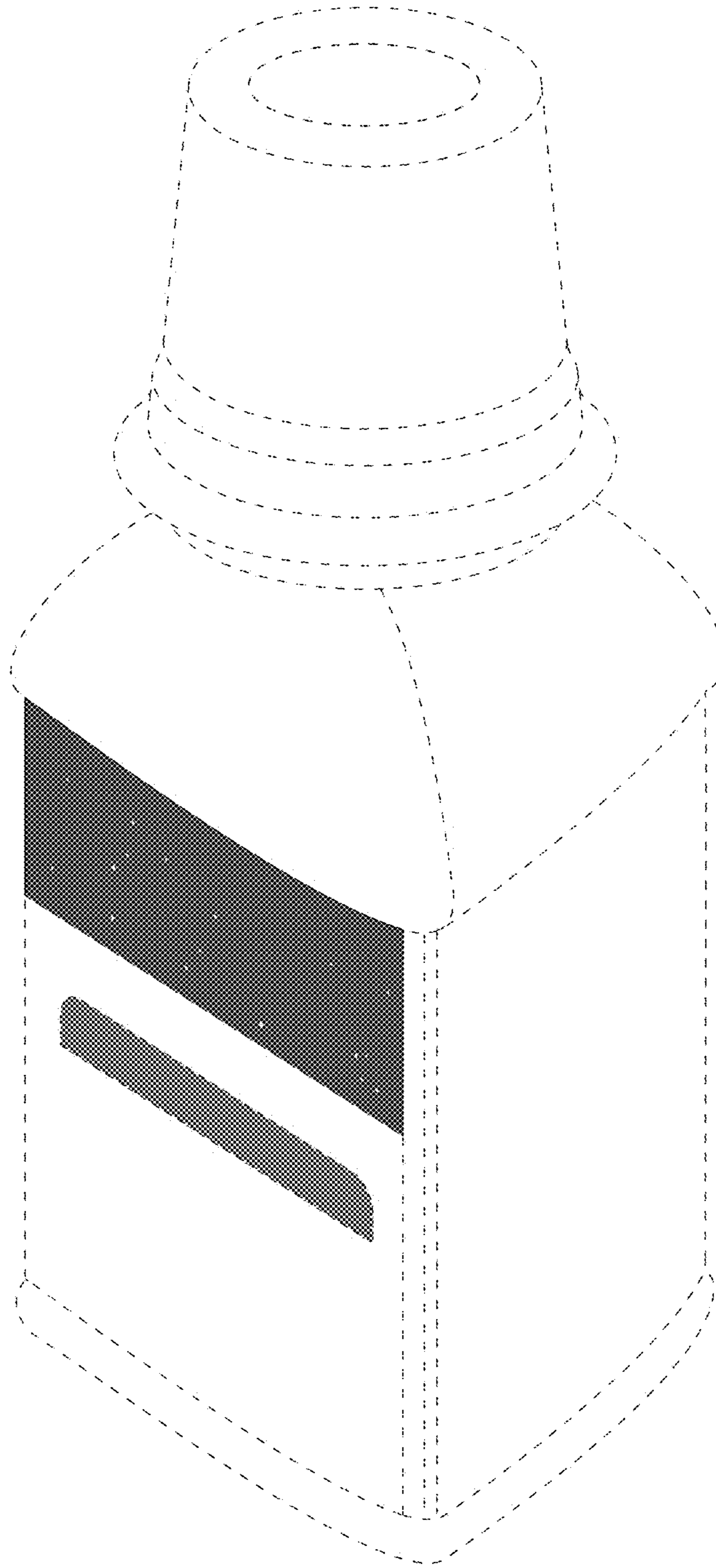


Fig. 8

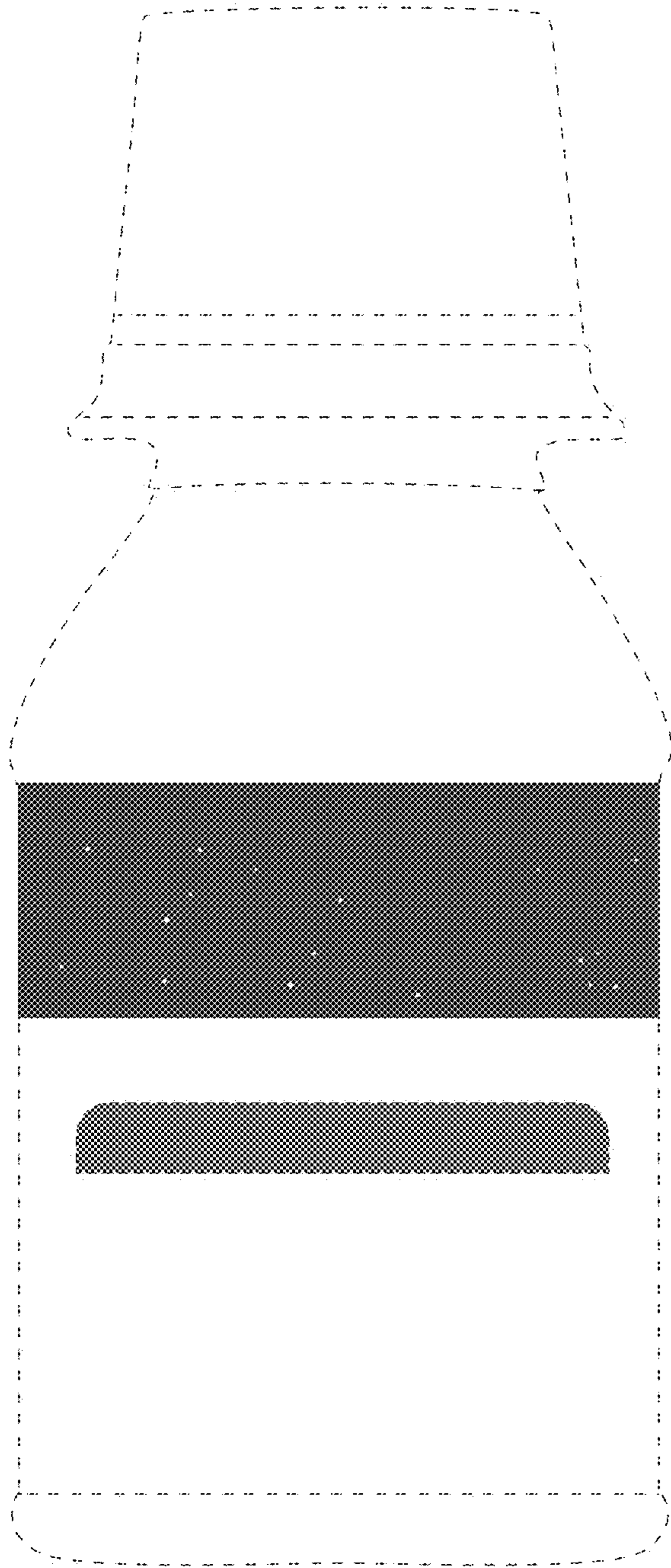


Fig. 9

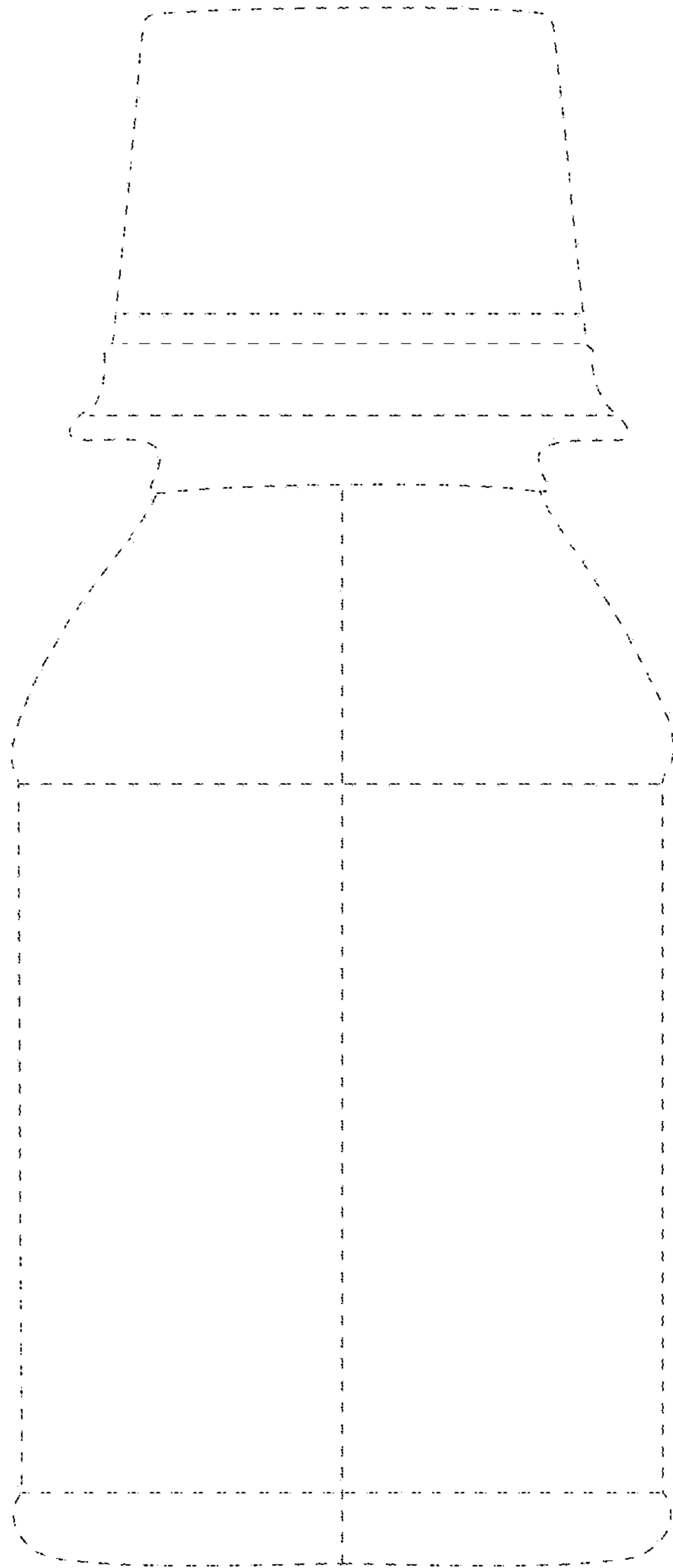


Fig. 10

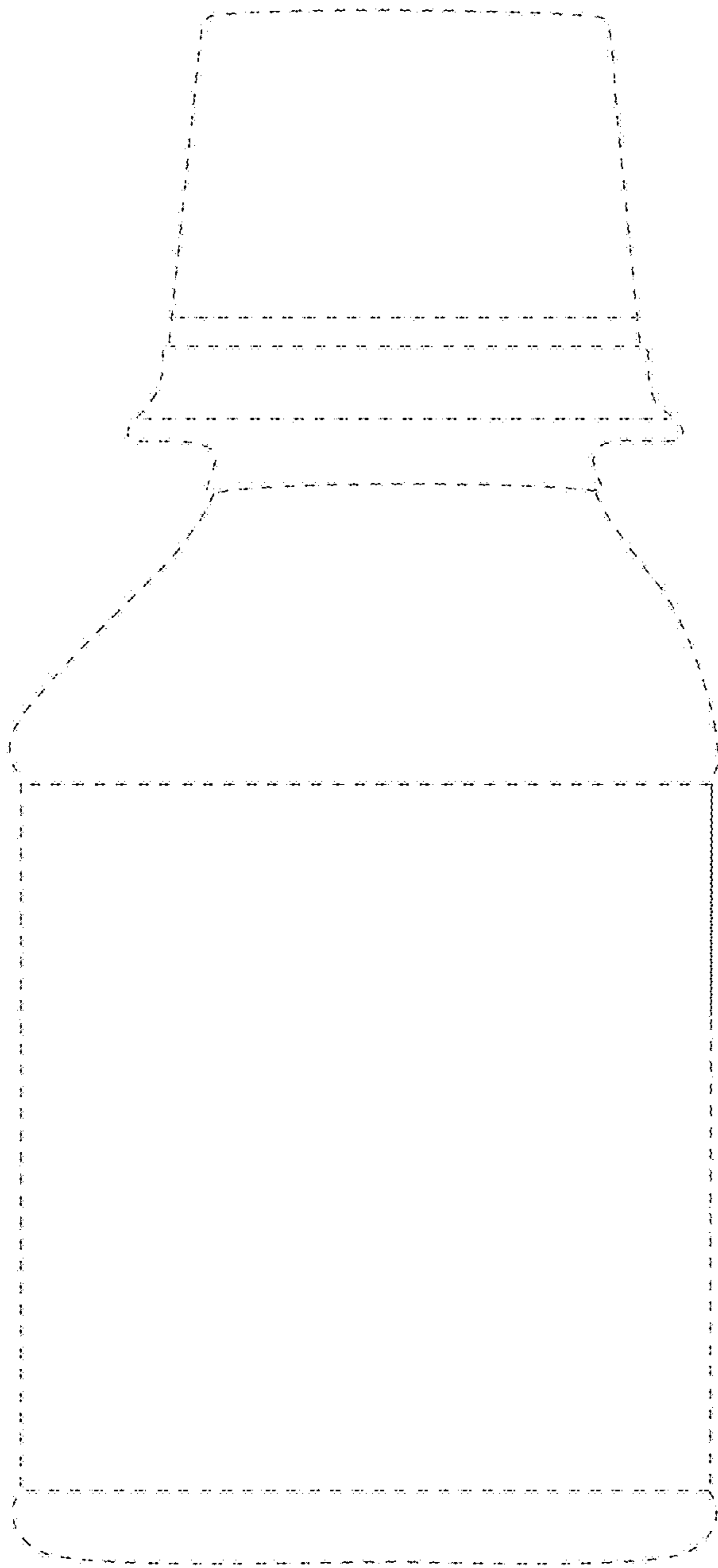


Fig. 11

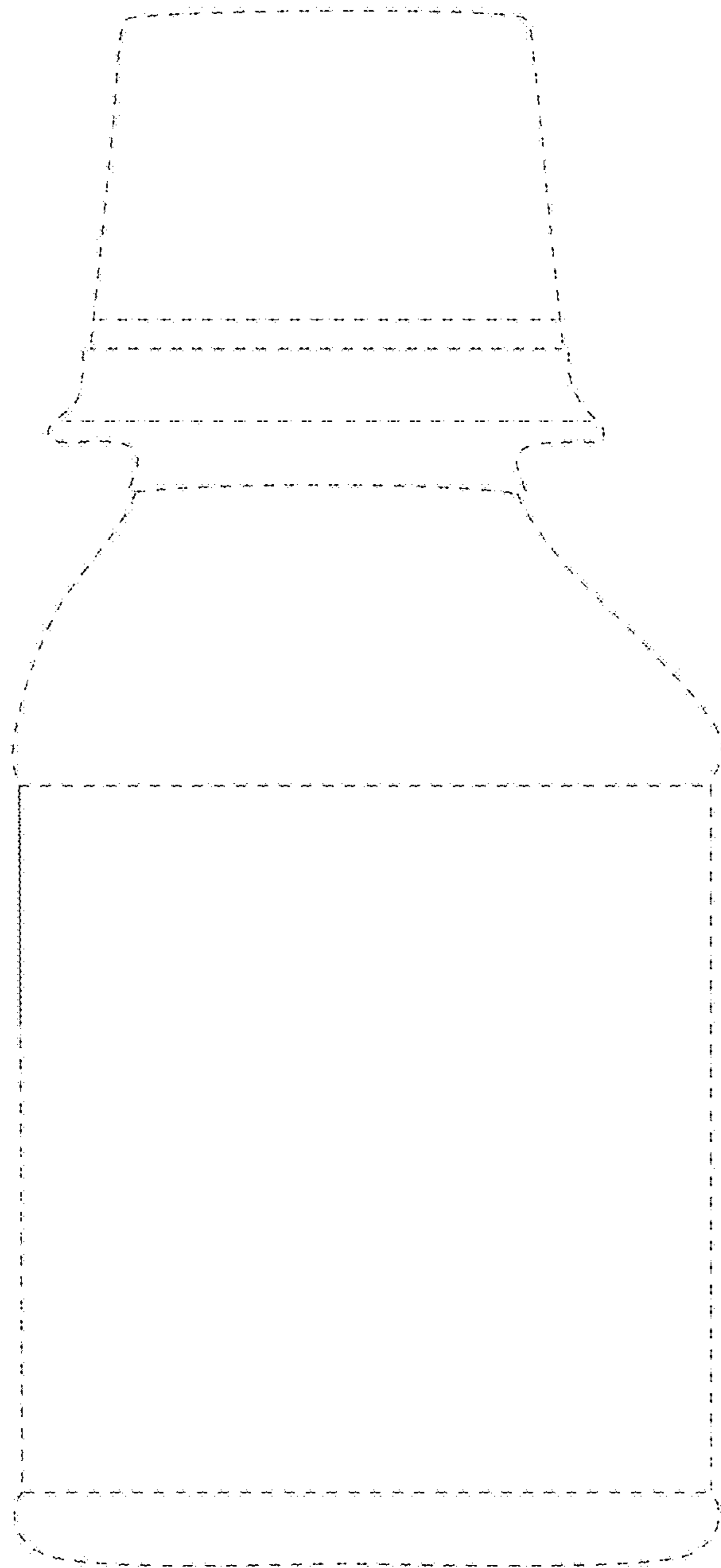


Fig. 12

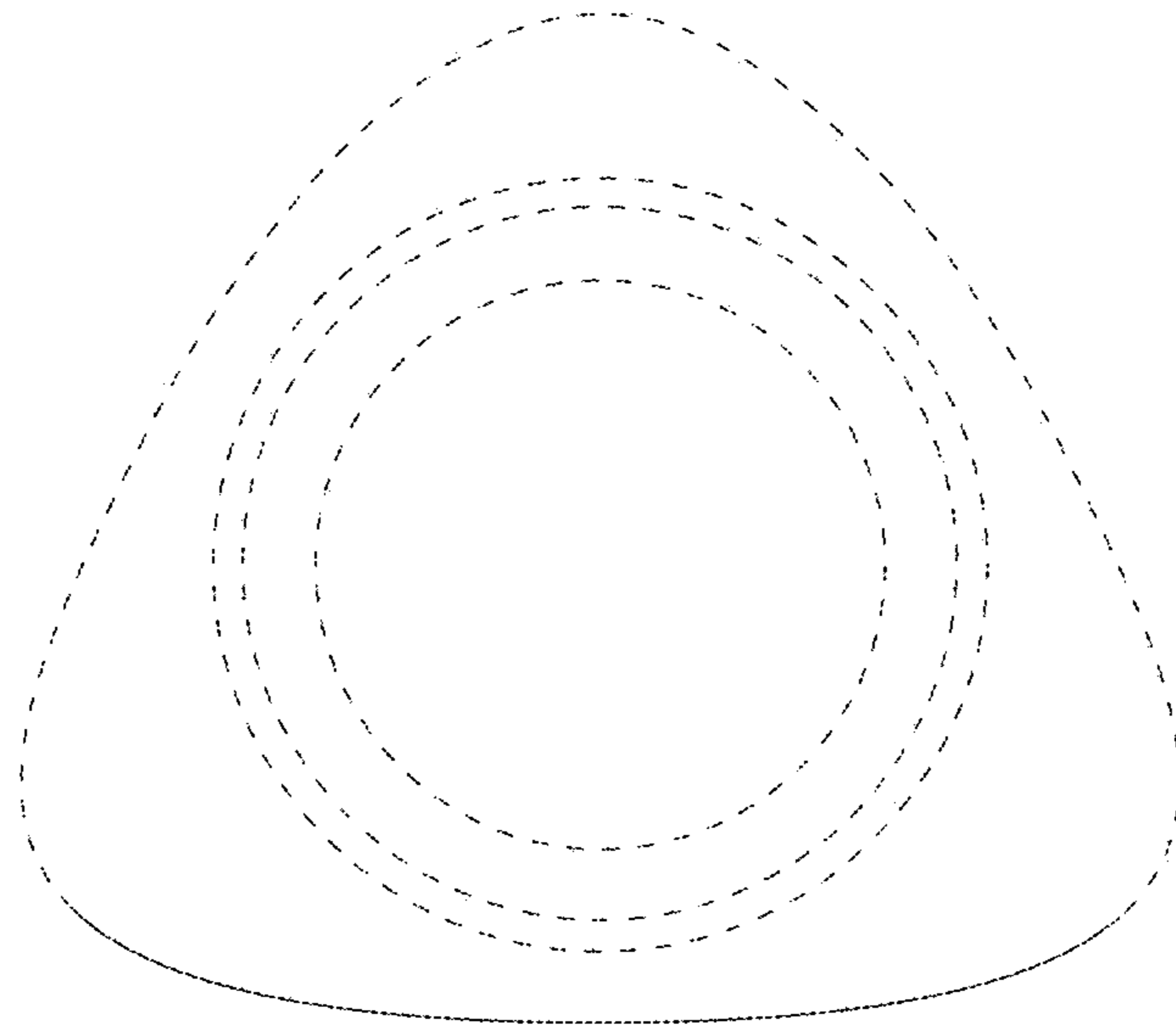


Fig. 13

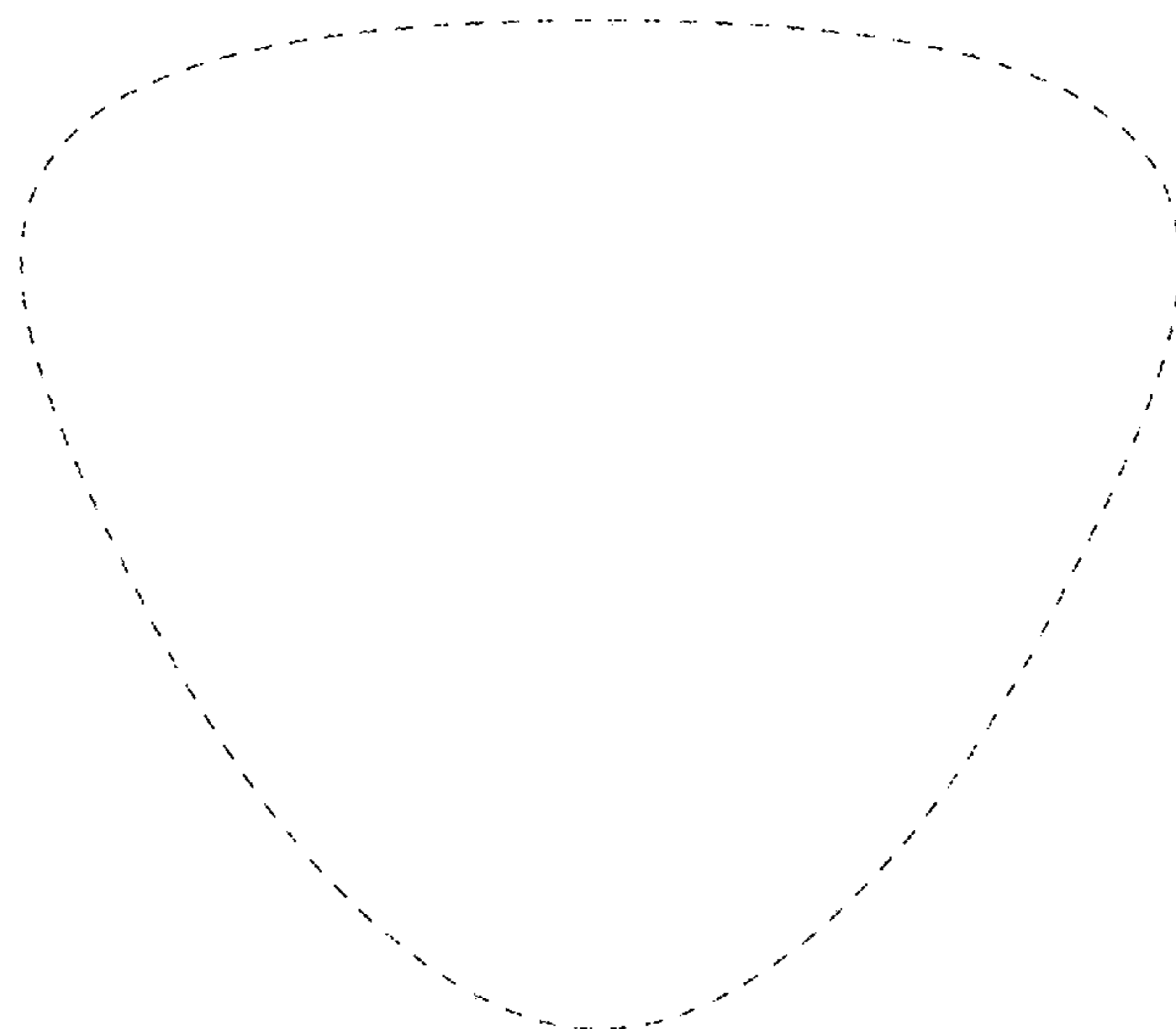


Fig. 14