



US00D874925S

(12) **United States Design Patent** (10) **Patent No.:** **US D874,925 S**
Ronge (45) **Date of Patent:** **** Feb. 11, 2020**

(54) **PACKAGE**
(71) Applicant: **ASSA ABLOY Branding Sàrl**,
Luxembourg (LU)
(72) Inventor: **Christof Ronge**, Albstadt (DE)
(73) Assignee: **ASSA ABLOY Branding Sàrl**,
Luxembourg (LU)
(**) Term: **15 Years**
(21) Appl. No.: **29/666,694**
(22) Filed: **Oct. 15, 2018**
(30) **Foreign Application Priority Data**
Apr. 17, 2018 (EM) 005237971-0011
(51) **LOC (12) Cl.** **09-03**
(52) **U.S. Cl.**
USPC **D9/432**
(58) **Field of Classification Search**
USPC D9/414-423, 424-429, 430-433, 434,
D9/456, 457, 711, 713, 721-722;
D3/272-274, 290, 304, 305, 310, 311,
D3/312, 313, 314, 315, 319; D20/10, 22,
D20/27, 40, 42
CPC ... B65D 5/00; B65D 5/02; B65D 5/18; B65D
5/20
See application file for complete search history.

(56) **References Cited**
U.S. PATENT DOCUMENTS
D87,781 S * 9/1932 Hauck D9/432
3,971,504 A * 7/1976 Whyte B65D 5/02
229/118
D495,952 S * 9/2004 Miller D9/418
D496,274 S * 9/2004 Egawa D9/432
D542,131 S * 5/2007 Egawa D9/432
D634,621 S * 3/2011 Edwards D9/432

D637,486 S * 5/2011 Andrew D5/7
D650,659 S * 12/2011 Tucker D9/423
D703,531 S * 4/2014 Gavrieli A43B 3/248
D9/432
D770,275 S * 11/2016 Hainaut D9/432
D783,397 S * 4/2017 Riffe D9/434
D788,580 S * 6/2017 Hainaut D9/432
D790,357 S * 6/2017 Kruse D9/432
D798,140 S * 9/2017 Frick D9/414

OTHER PUBLICATIONS

ASSA ABLOY Security News Desk. [online] Published on Nov. 14, 2018. Retrieved Sep. 9, 2019 from URL: <https://securitynewsdesk.com/assa-begins-next-chapter-rebrand-assa-abloy/>.*

* cited by examiner

Primary Examiner — Vy N Koenig
(74) *Attorney, Agent, or Firm* — Wolf, Greenfield & Sacks, P.C.

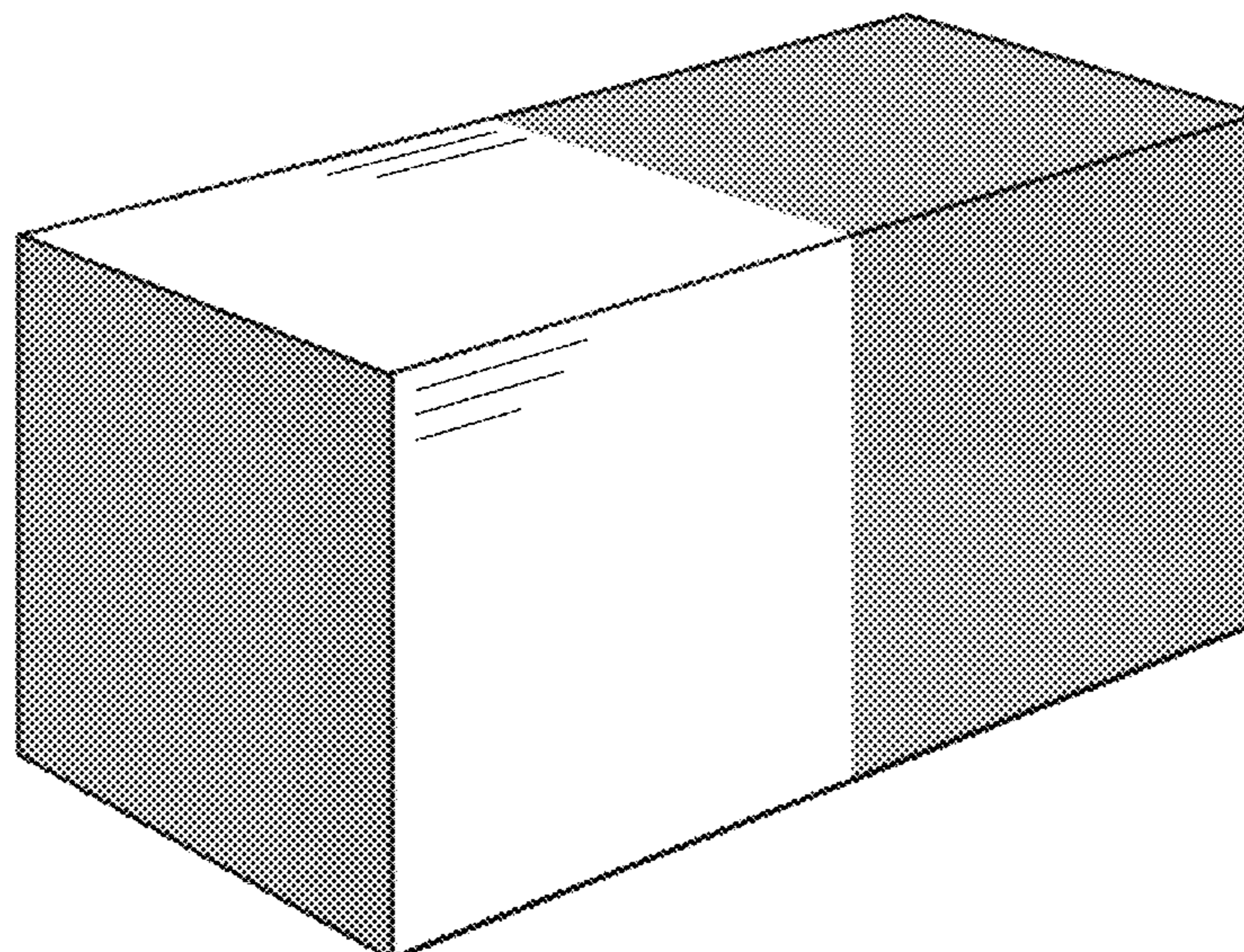
(57) **CLAIM**

The ornamental design for a package, as shown and described.

DESCRIPTION

FIG. 1 is a top, front, left side perspective view of a package according to my new design;
FIG. 2 is a left side elevation view of FIG. 1;
FIG. 3 is a front elevation view of FIG. 1;
FIG. 4 is a right side elevation view of FIG. 1;
FIG. 5 is a top plan view of FIG. 1;
FIG. 6 is a bottom plan view of FIG. 1; and,
FIG. 7 is a rear elevation view of FIG. 1.
The dash-dash broken lines show surface ornamentation on the package that forms no part of the claimed design. The dot-dash broken lines represent boundaries of the claimed design and form no part of the claimed design. The coloring is used to represent the color Pantone® 639.

1 Claim, 7 Drawing Sheets



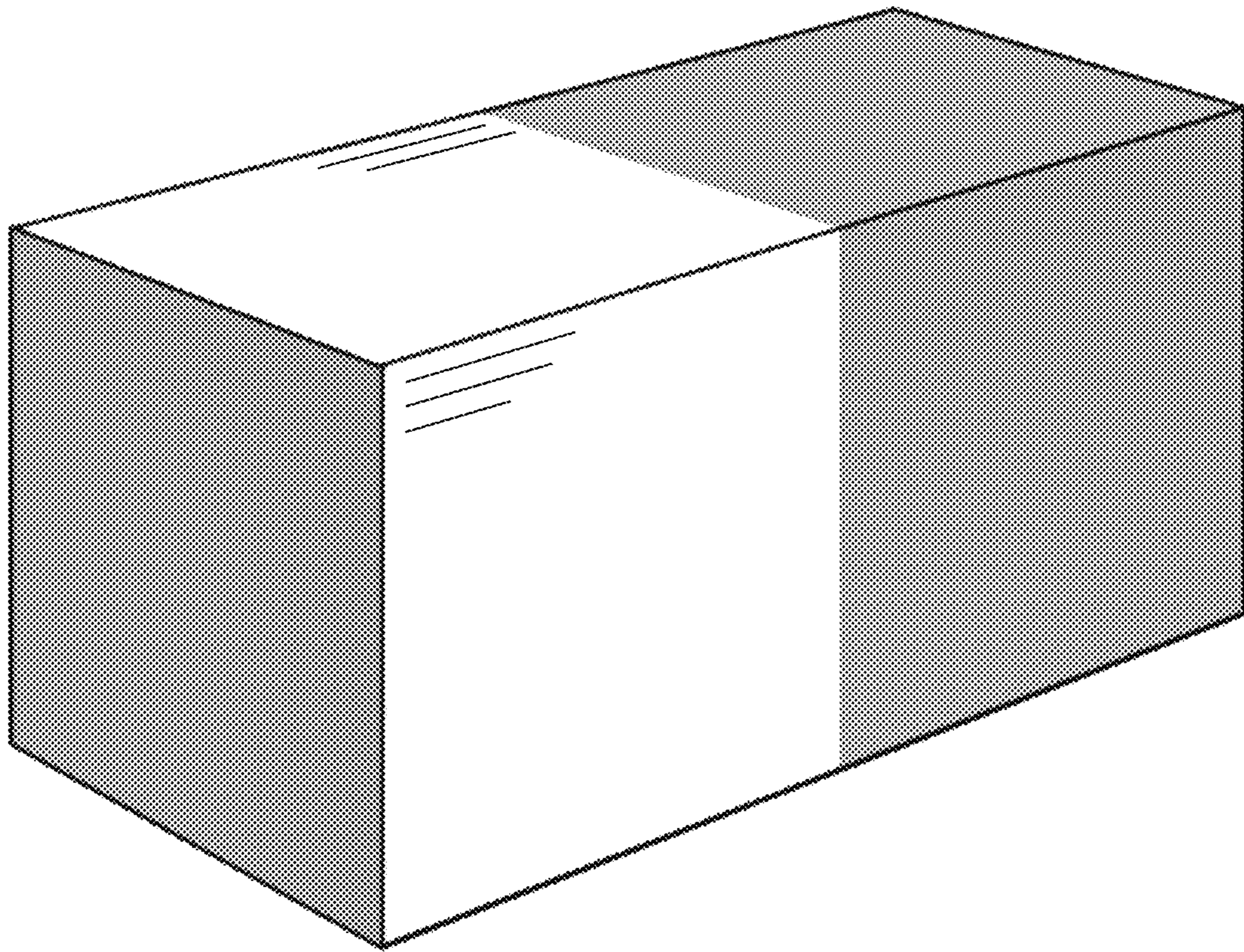


Fig. 1

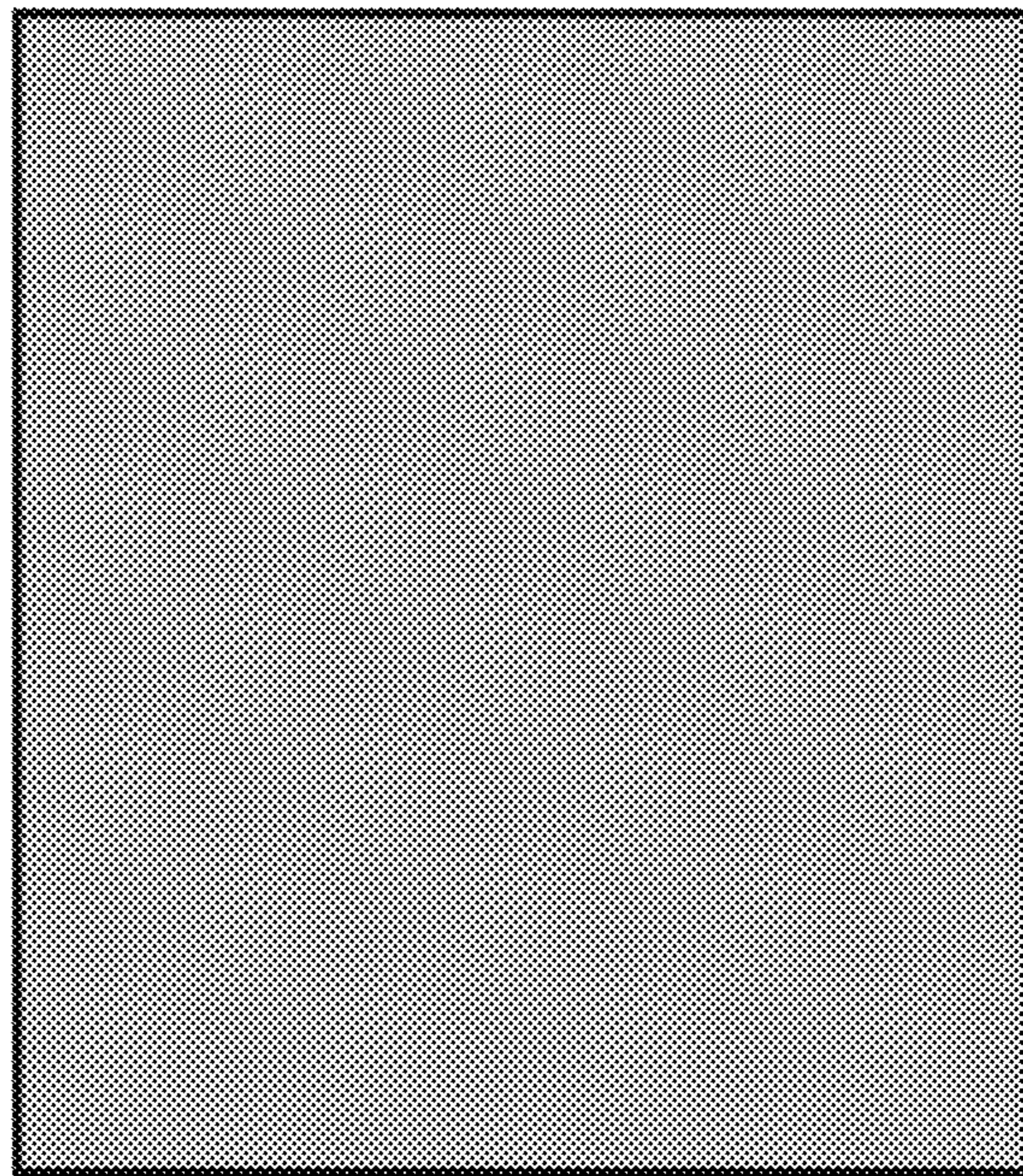


Fig. 2

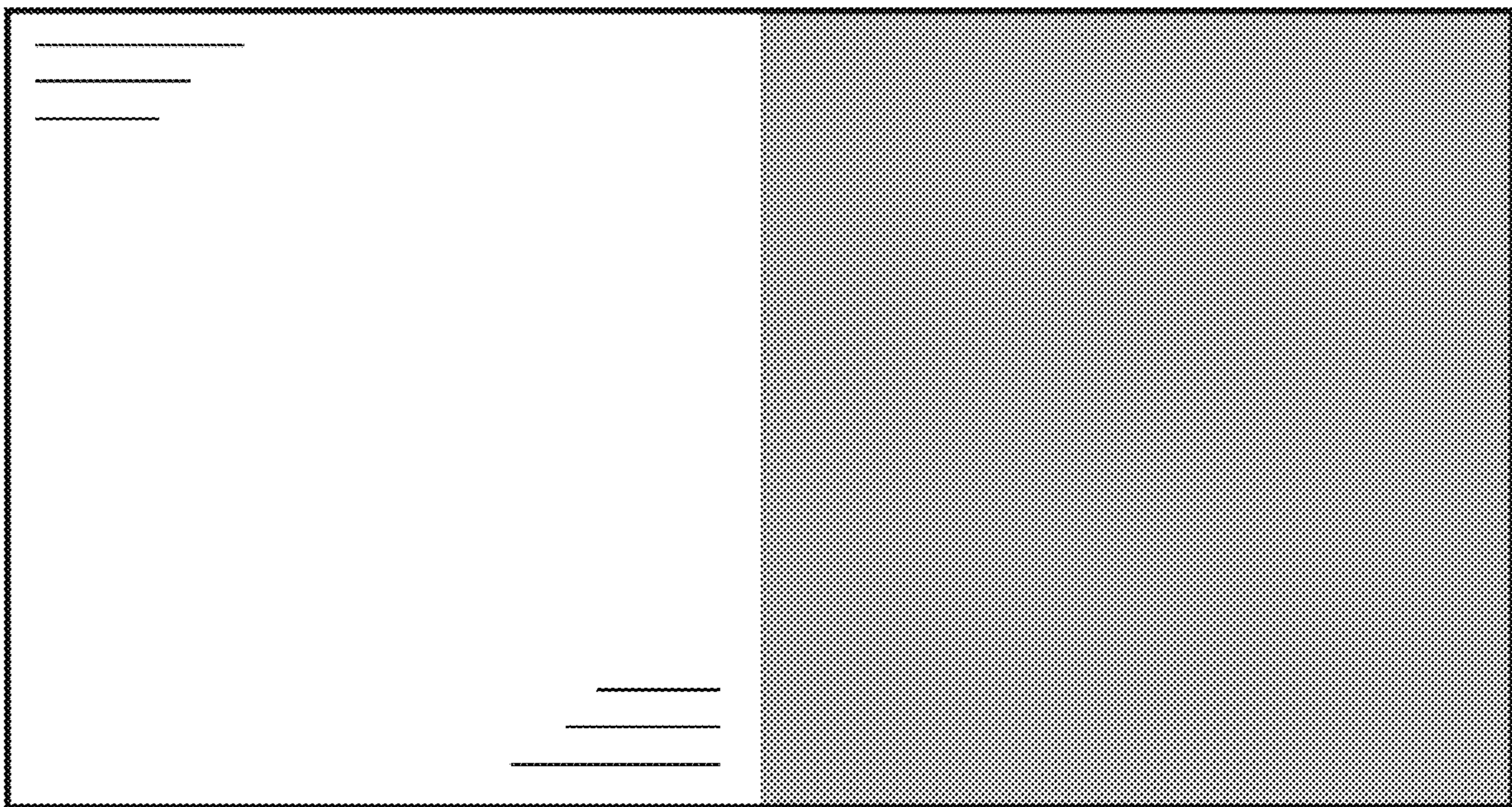


Fig. 3



Fig. 4

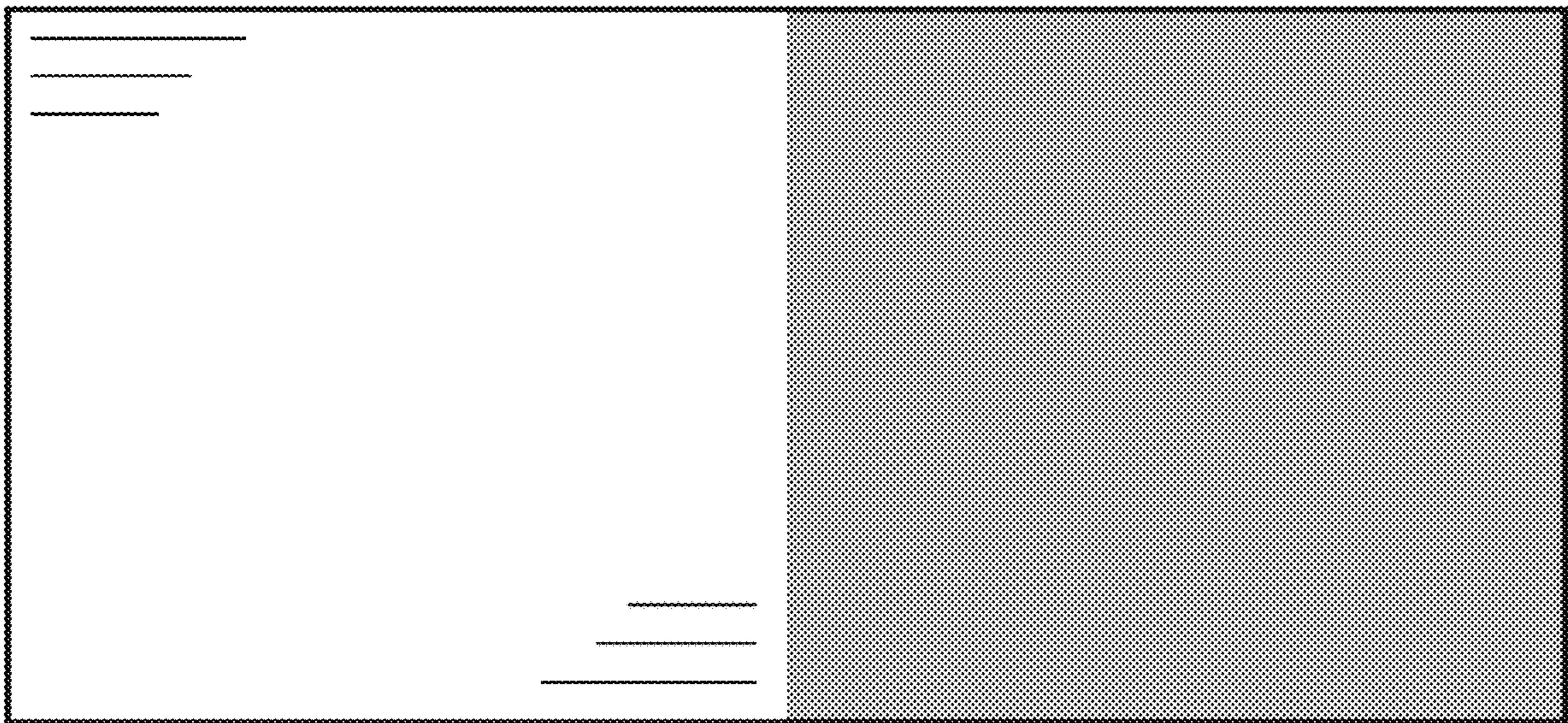


Fig. 5

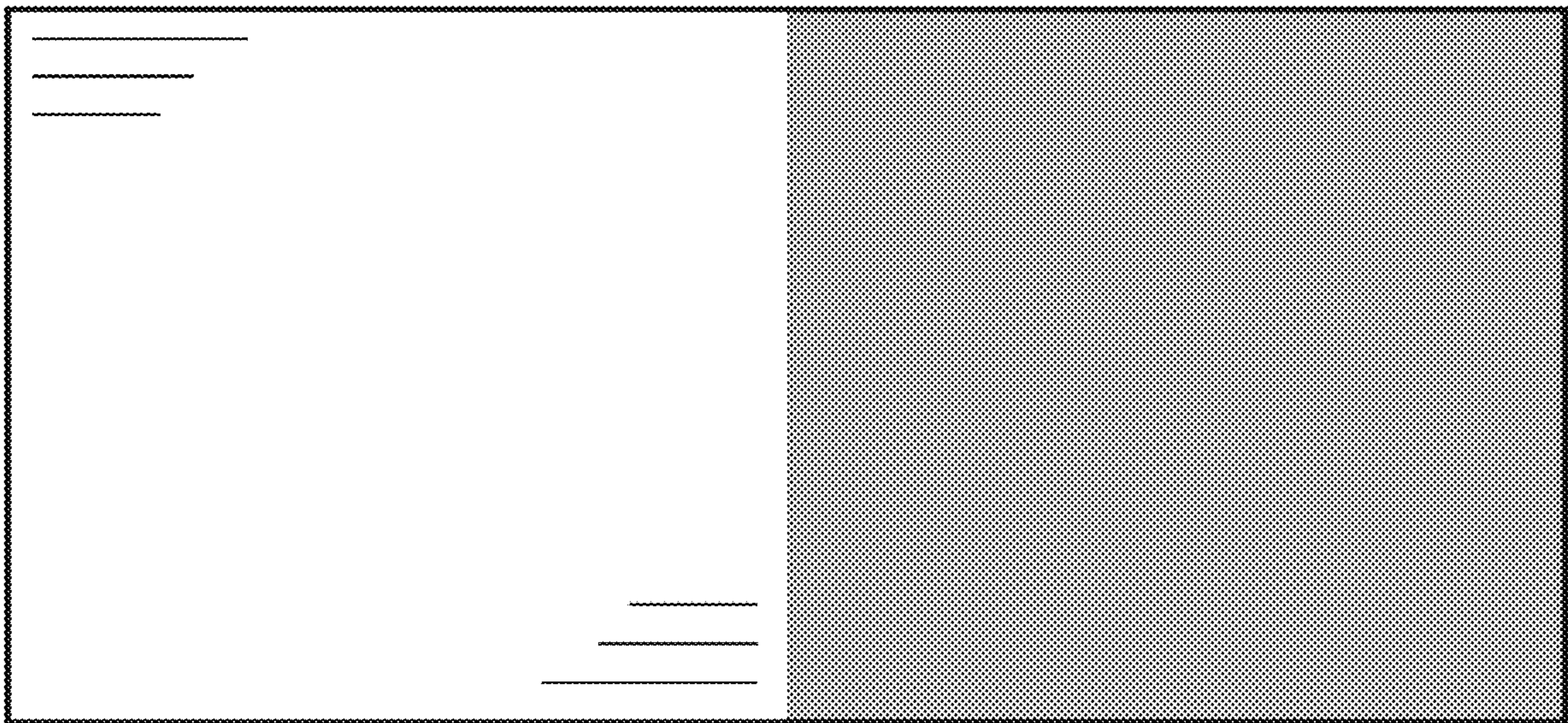


Fig. 6

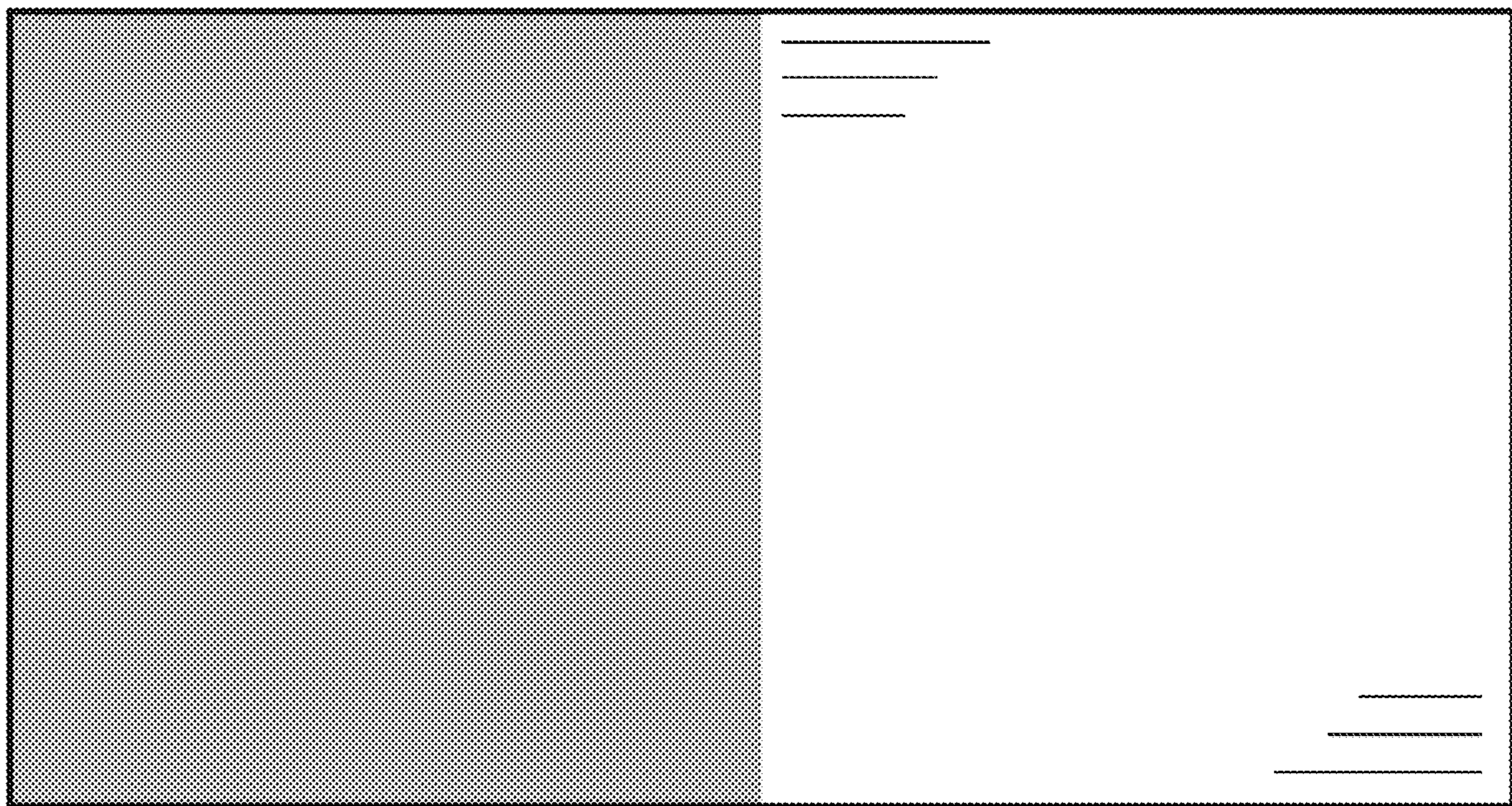


Fig. 7