



US00D874924S

(12) **United States Design Patent** (10) **Patent No.:** **US D874,924 S**
Di Martino (45) **Date of Patent:** **** Feb. 11, 2020**

(54) **FOOD CONTAINER**
(71) Applicant: **Pastificio Di Martino Gaetano & F.Lli S.p.A.**, Gragnano (NA) (IT)
(72) Inventor: **Giuseppe Di Martino**, Castellammare di Stabia (IT)
(73) Assignee: **PASTIFICIO DI MARTINO GAETANO & F.LLI S.P.A.**, Gragnano (NA) (IT)
(**) Term: **15 Years**
(21) Appl. No.: **29/650,784**
(22) Filed: **Jun. 8, 2018**
(51) **LOC (12) Cl.** **09-03**
(52) **U.S. Cl.**
USPC **D9/431**
(58) **Field of Classification Search**
USPC D9/414-423, 430-433, 454, 456, 457, D9/711, 713, 721-722
CPC ... B65D 5/00; B65D 5/02; B65D 5/18; B65D 5/20
See application file for complete search history.

Primary Examiner — Vy N Koenig
(74) *Attorney, Agent, or Firm* — Arent Fox LLP

(57) **CLAIM**

The ornamental design for a food container, as shown and described.

DESCRIPTION

The file of this patent contains at least one drawing/photograph executed in color. Copies of this patent with color drawing(s)/photograph(s) will be provided by the Office upon request and payment of the necessary fee.
FIG. 1 is a front view of a first embodiment of a food container showing my new design;
FIG. 2 is a top view of the design shown in FIG. 1;
FIG. 3 is a side view of the design shown in FIG. 1;
FIG. 4 is a top view of the design shown in FIG. 1, showing an example position of use;
FIG. 5 is a front left side perspective view of a second embodiment of a food container showing my new design;
FIG. 6 is a front view of the design shown in FIG. 5;
FIG. 7 is a side view of the design shown in FIG. 5;
FIG. 8 is a top view of the design shown in FIG. 5;
FIG. 9 is a bottom view of the design shown in FIG. 5;
FIG. 10 is a front left side perspective view of a third embodiment of a food container showing my new design;
FIG. 11 is a front view of the design shown in FIG. 10;
FIG. 12 is a side view of the design shown in FIG. 10;
FIG. 13 is a top view of the design shown in FIG. 10; and, FIG. 14 is a bottom view of the design shown in FIG. 10.
The bottom of the food container in the first embodiment forms no part of the claimed design. The broken lines shown in the figures are included for the purpose of illustrating portions of the food container that form no part of the claimed design.

(56) **References Cited**

U.S. PATENT DOCUMENTS

2,168,186 A * 8/1939 Adamson B65D 3/08 229/106
2,240,599 A * 5/1941 Amberg B65D 3/08 229/106
2,661,138 A * 12/1953 Leonard B65D 5/068 229/106

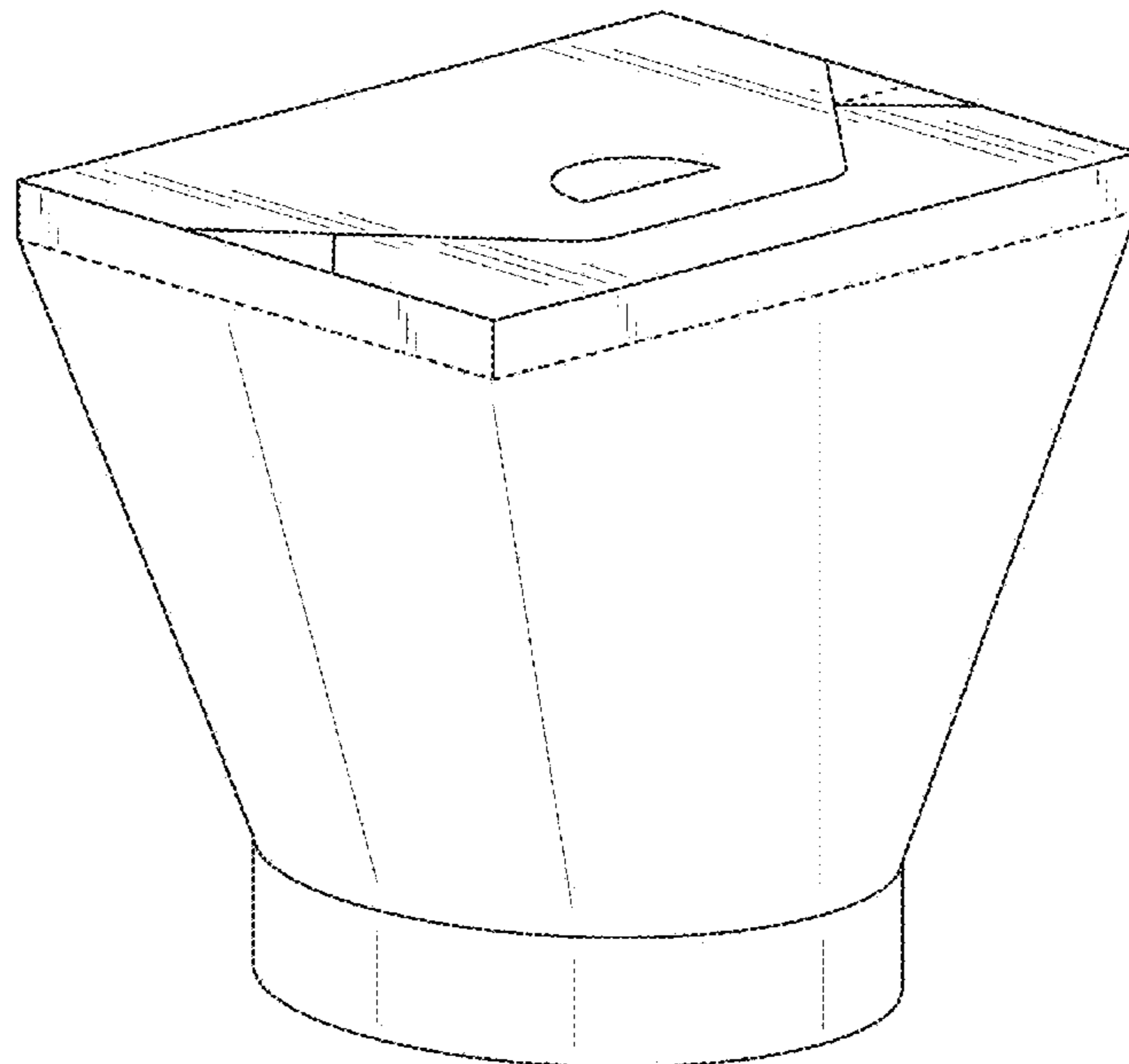
(Continued)

OTHER PUBLICATIONS

Kasa Joe on Packaging of the World. [online] Published on Nov. 14, 2013. Retrieved Jun. 10, 2019 from URL: <https://www.packagingoftheworld.com/2013/11/kasa-joe.html>.*

(Continued)

1 Claim, 14 Drawing Sheets
(9 of 14 Drawing Sheet(s) Filed in Color)



(56)

References Cited

U.S. PATENT DOCUMENTS

2,687,840 A * 8/1954 Innes B65D 5/068
229/106
3,633,814 A * 1/1972 Michetti B65D 3/08
229/106
4,420,111 A * 12/1983 Hament B65D 47/06
220/351
5,358,175 A * 10/1994 Cai B65D 3/08
229/104
D367,816 S * 3/1996 Cai D9/431
D469,691 S * 2/2003 Brondyke D9/422
D589,344 S * 3/2009 Lang D9/431
D609,088 S * 2/2010 Kvam D9/431
D611,341 S * 3/2010 Belce D9/431
D716,648 S * 11/2014 Tan D9/416
D736,615 S * 8/2015 O'Brien D9/417
D775,946 S * 1/2017 Ghini D9/430
9,737,161 B1 * 8/2017 Li A47G 19/2205

OTHER PUBLICATIONS

Spaghetti take away in Naples. [online] Published on Oct. 2, 2017.
Retrieved Jun. 10, 2019 from URL: <https://www.napolike.com/spaghetti-take-away-in-a-square-napoli-Hall>.*

* cited by examiner

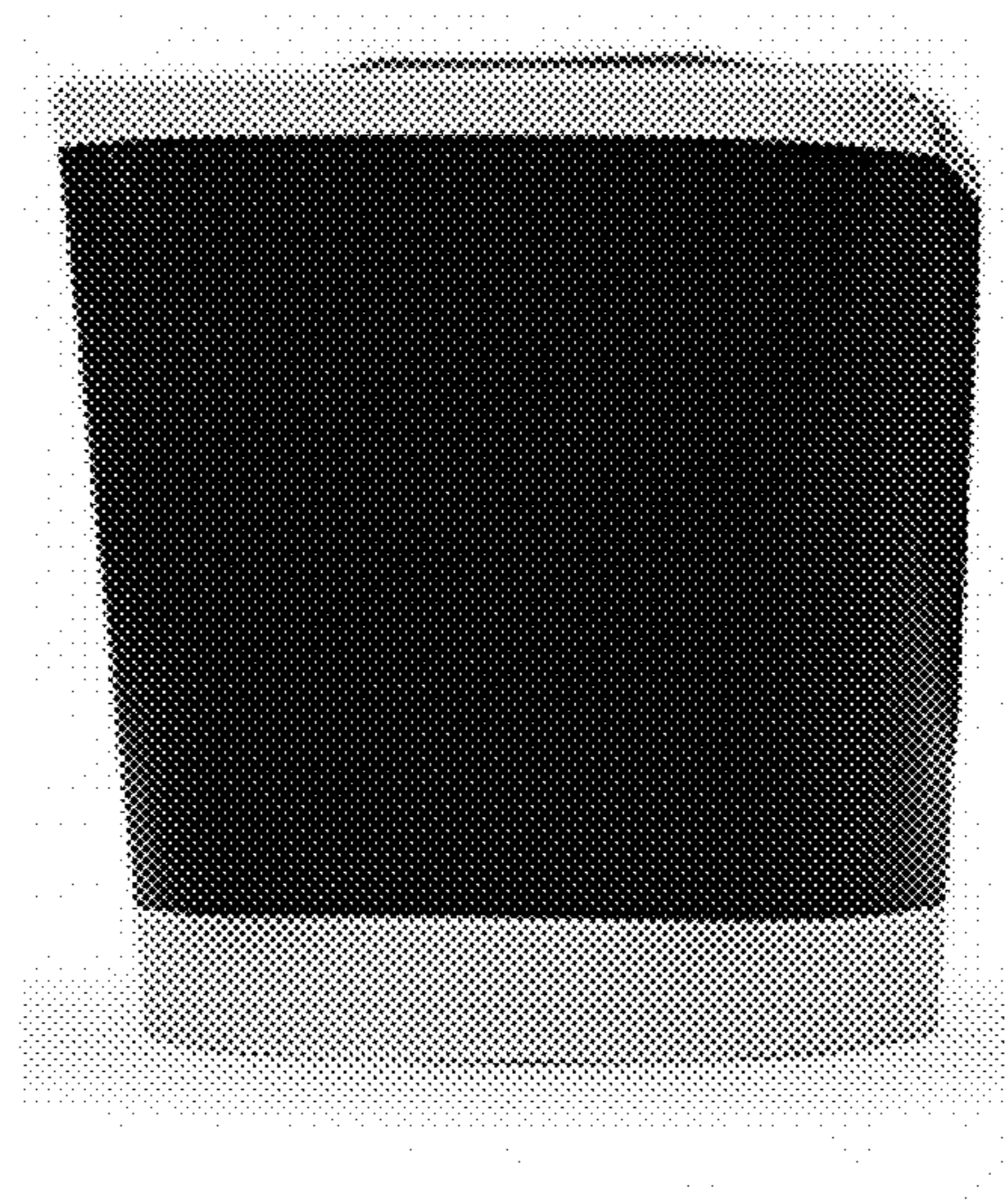


FIG. 1

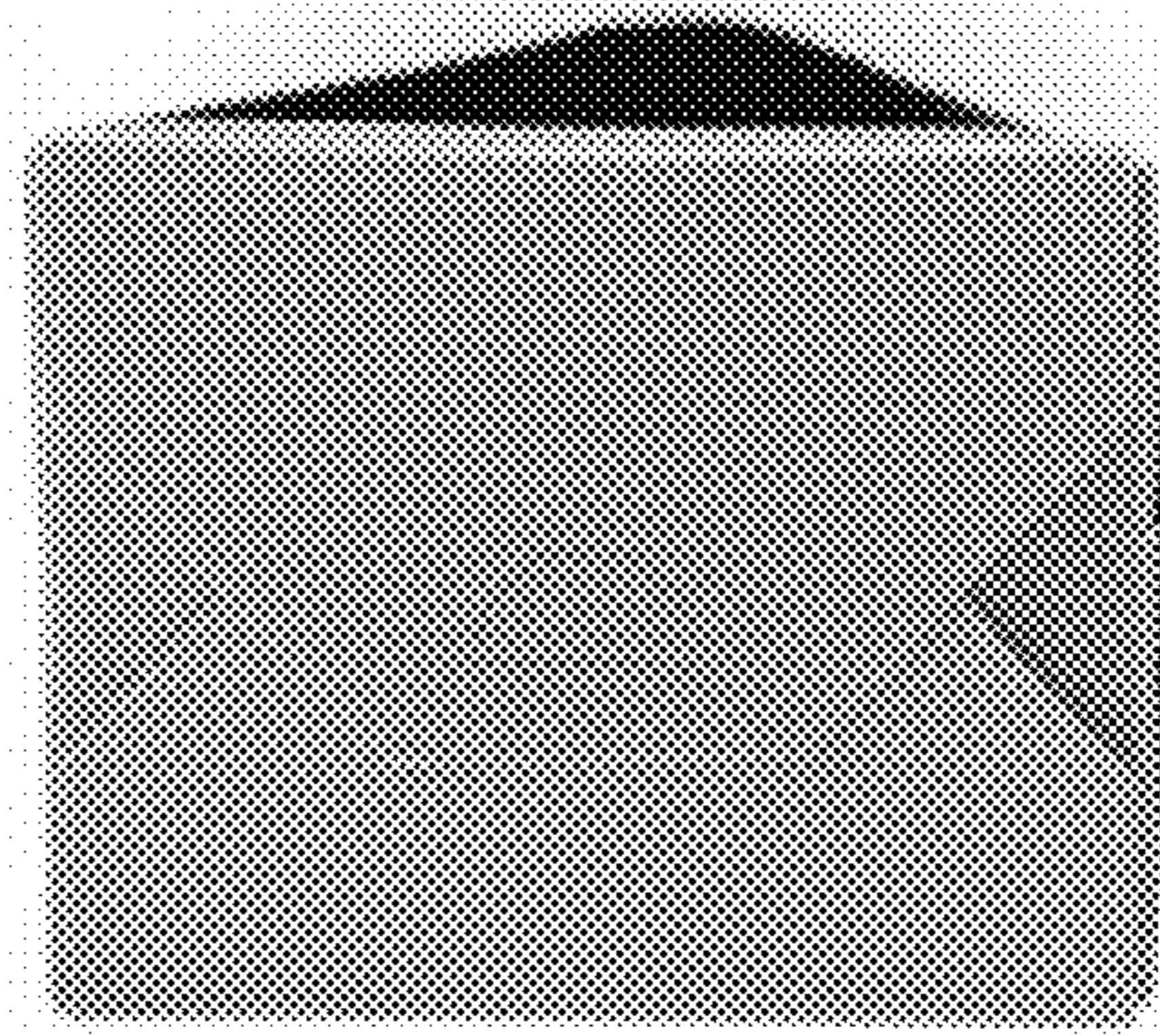


FIG. 2



FIG. 3

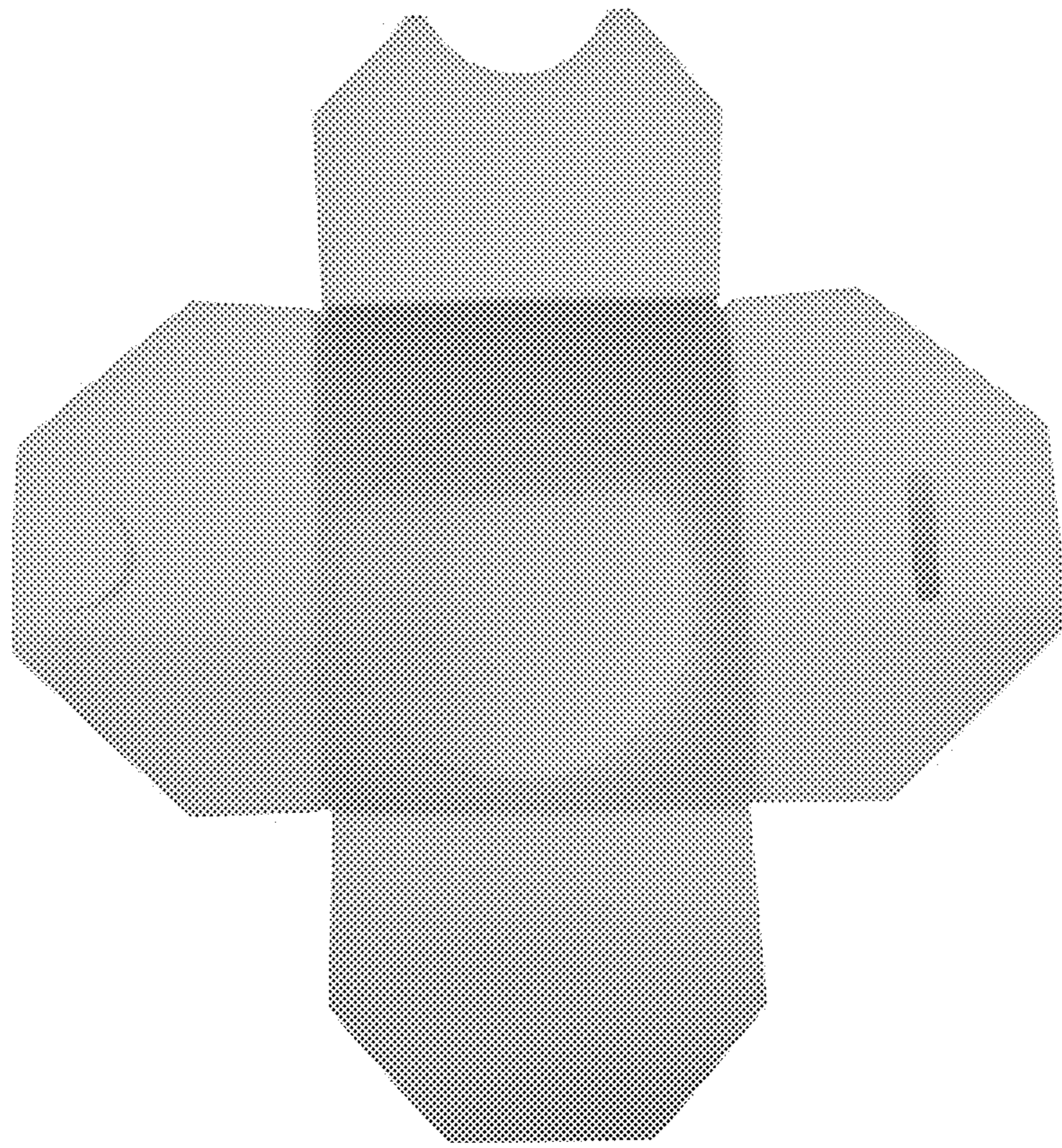


FIG. 4

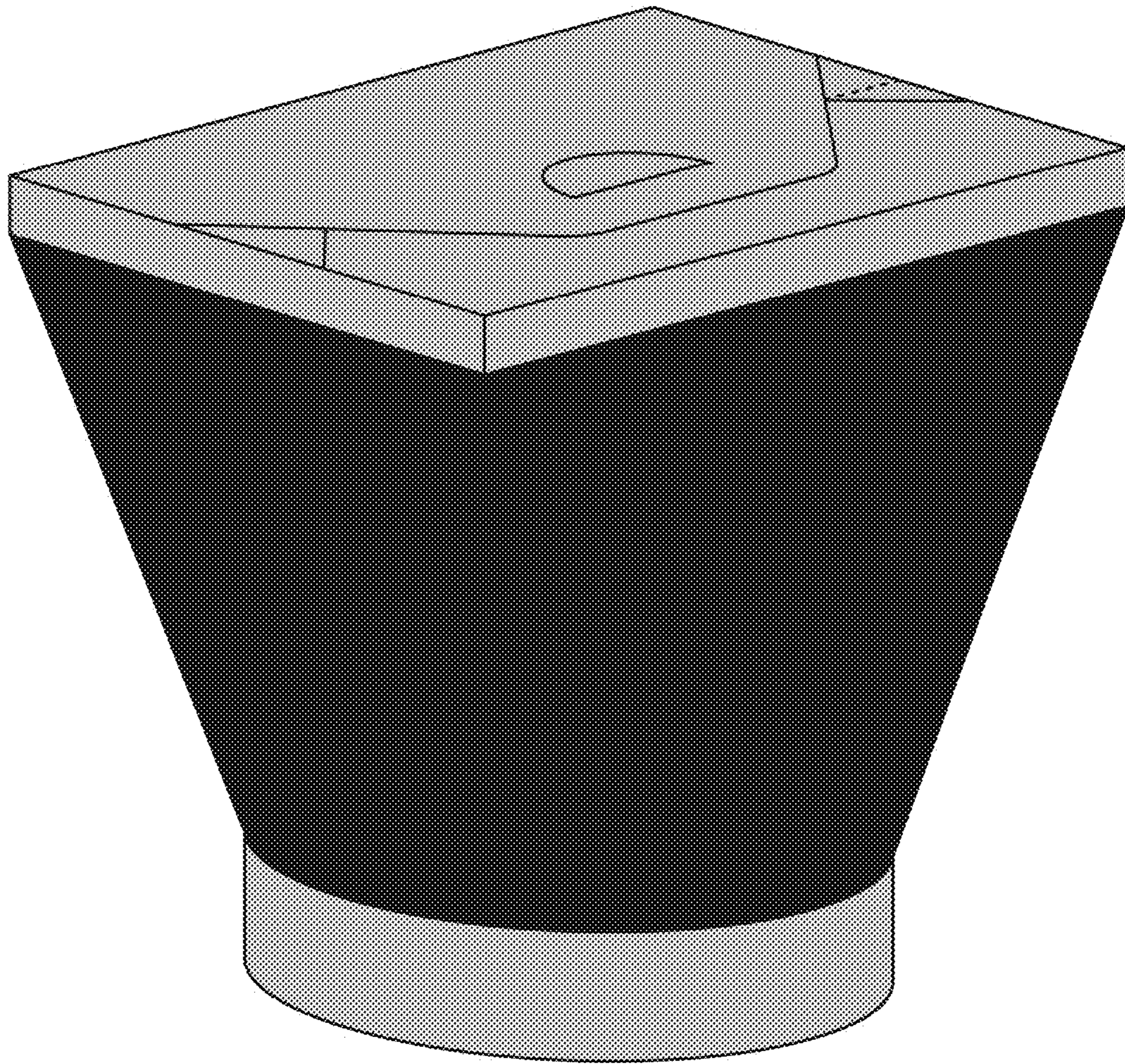


FIG. 5

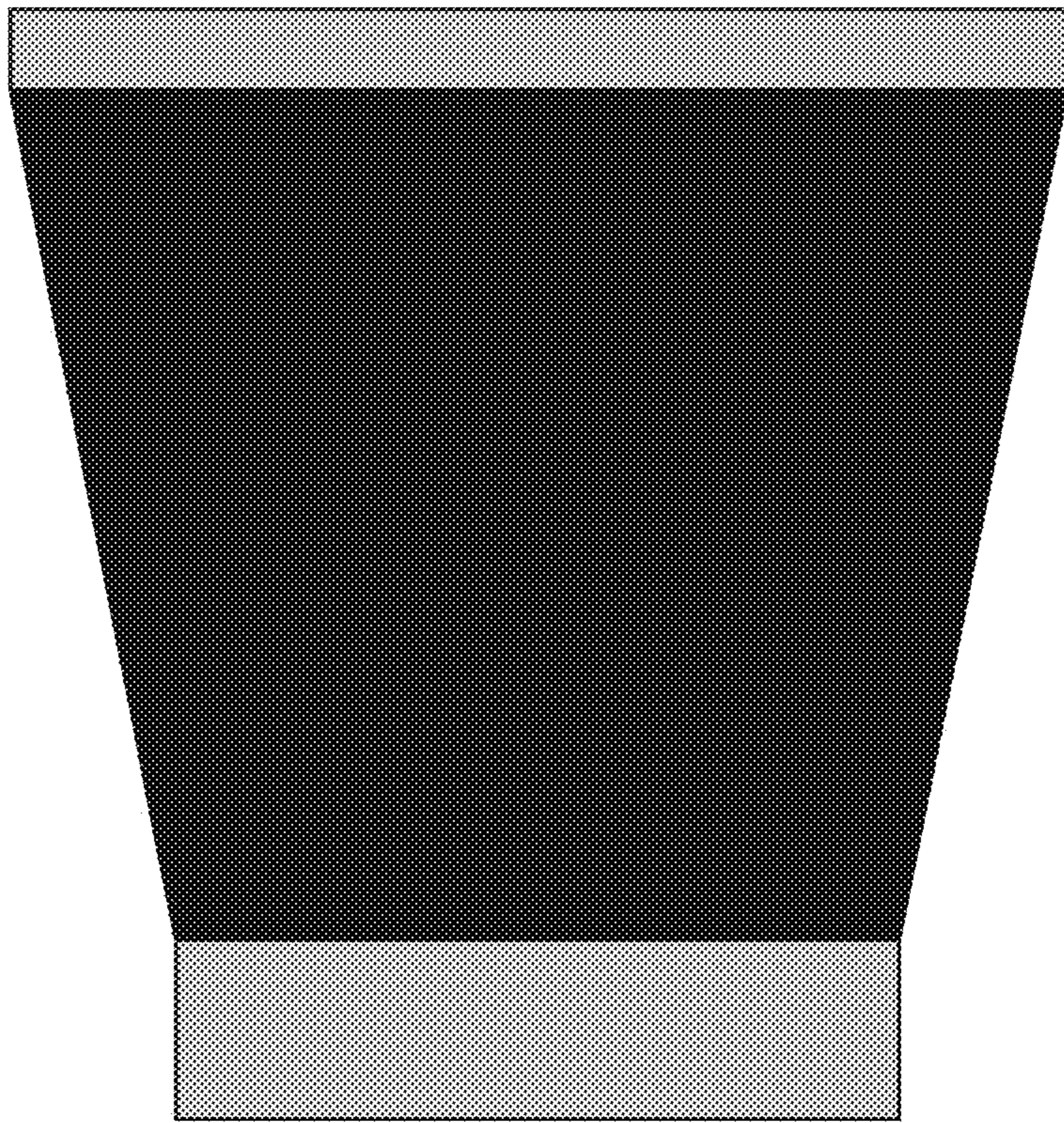


FIG. 6

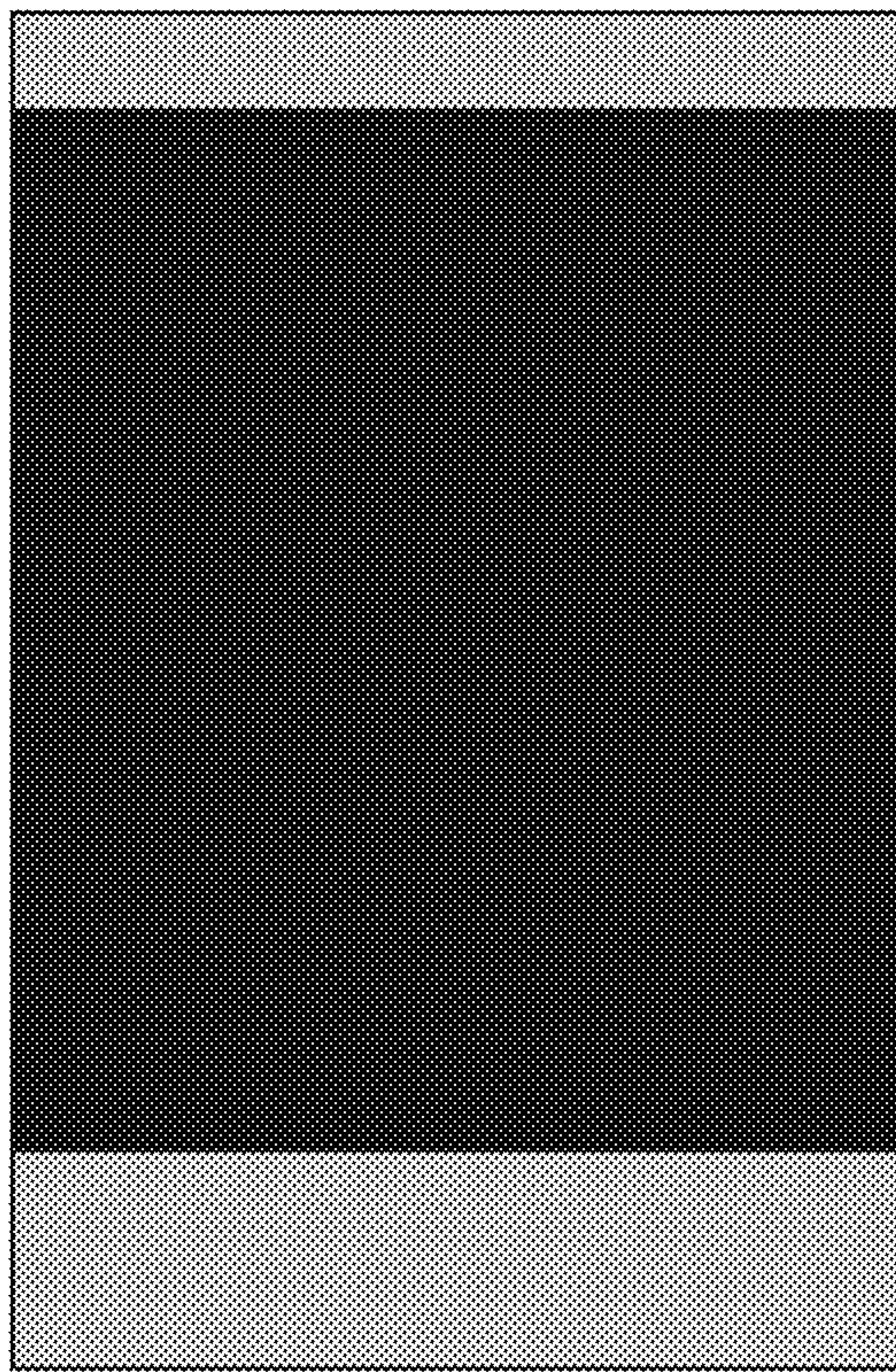


FIG. 7

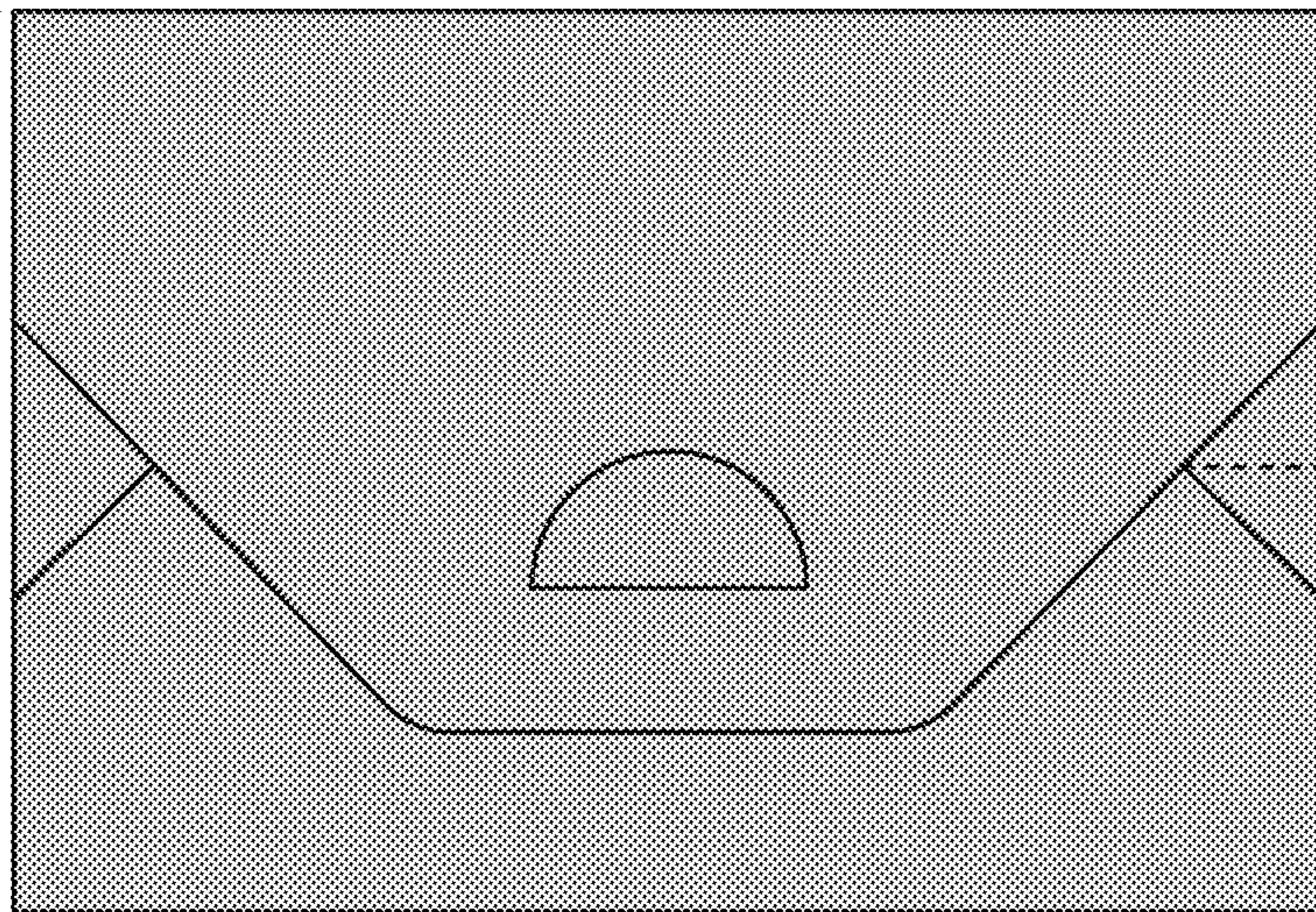


FIG. 8

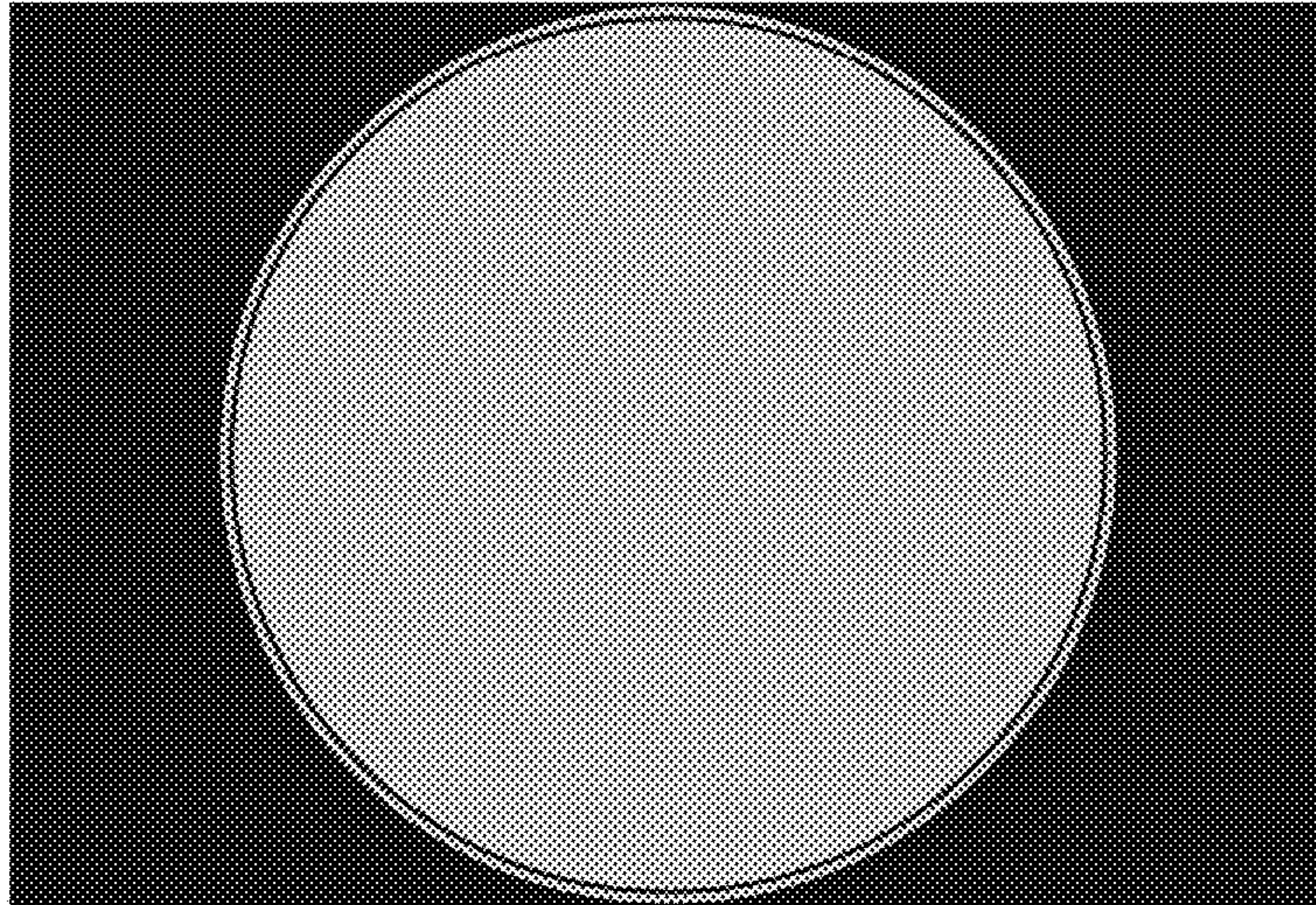


FIG. 9

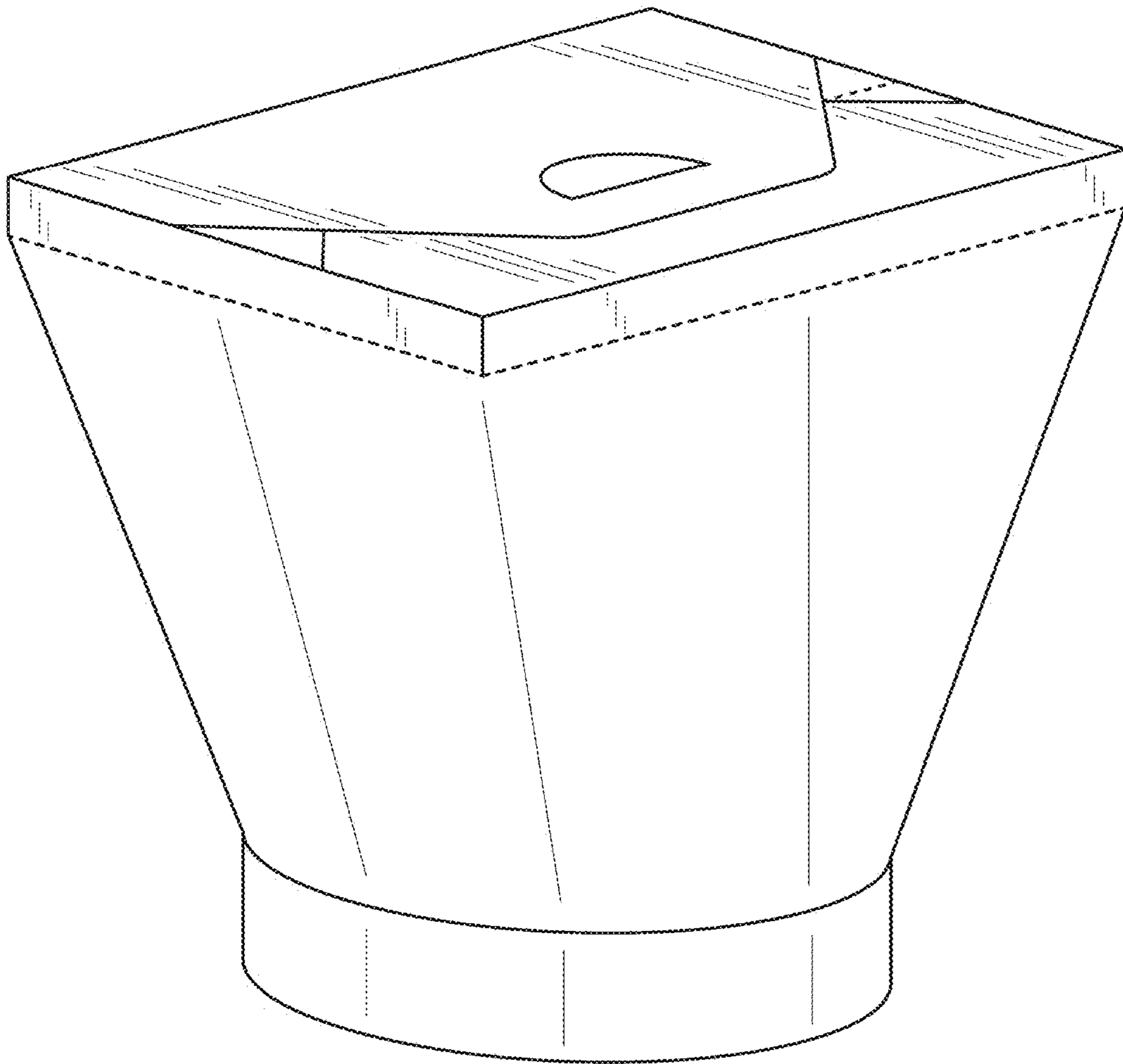


FIG. 10

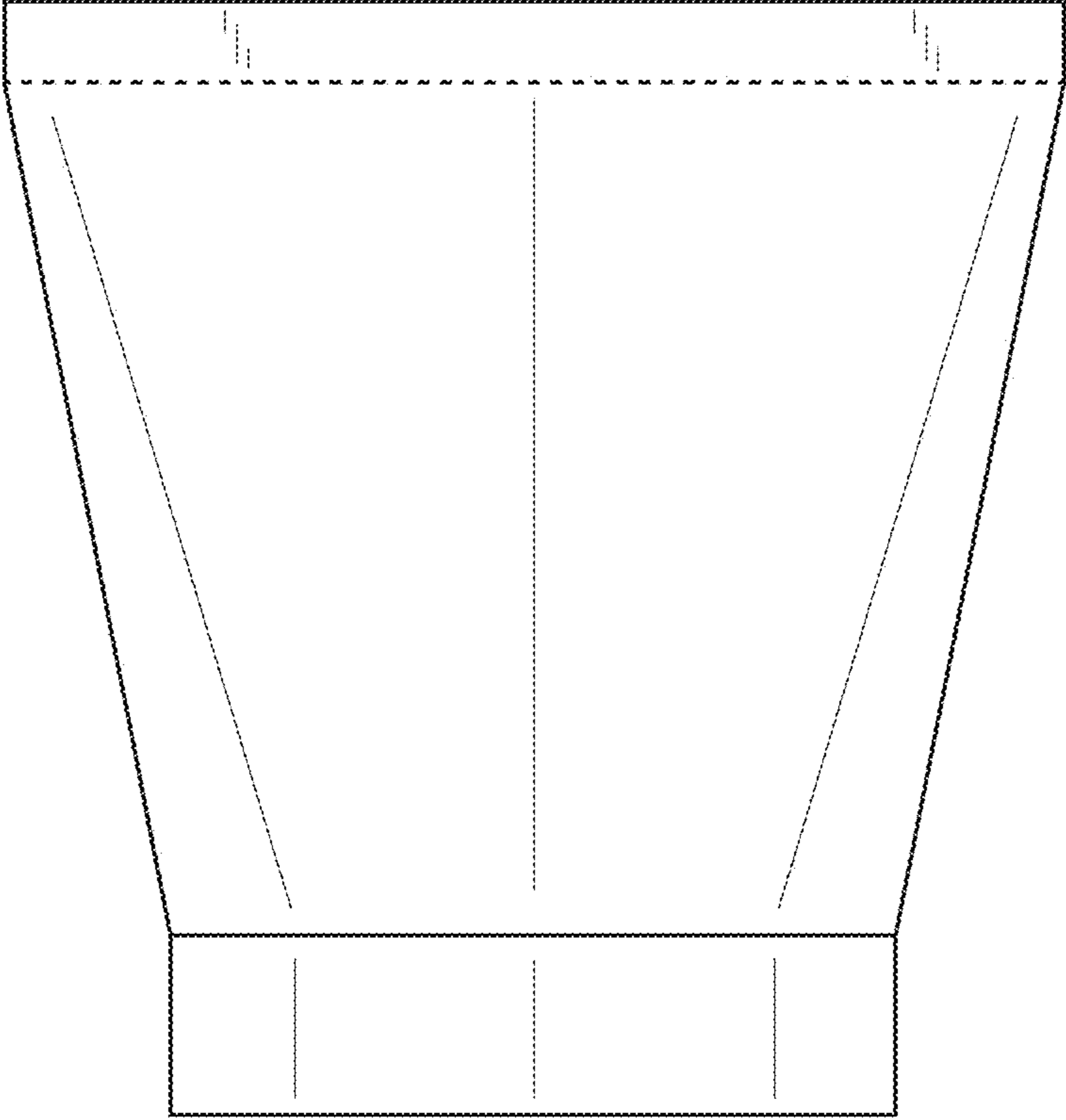


FIG. 11

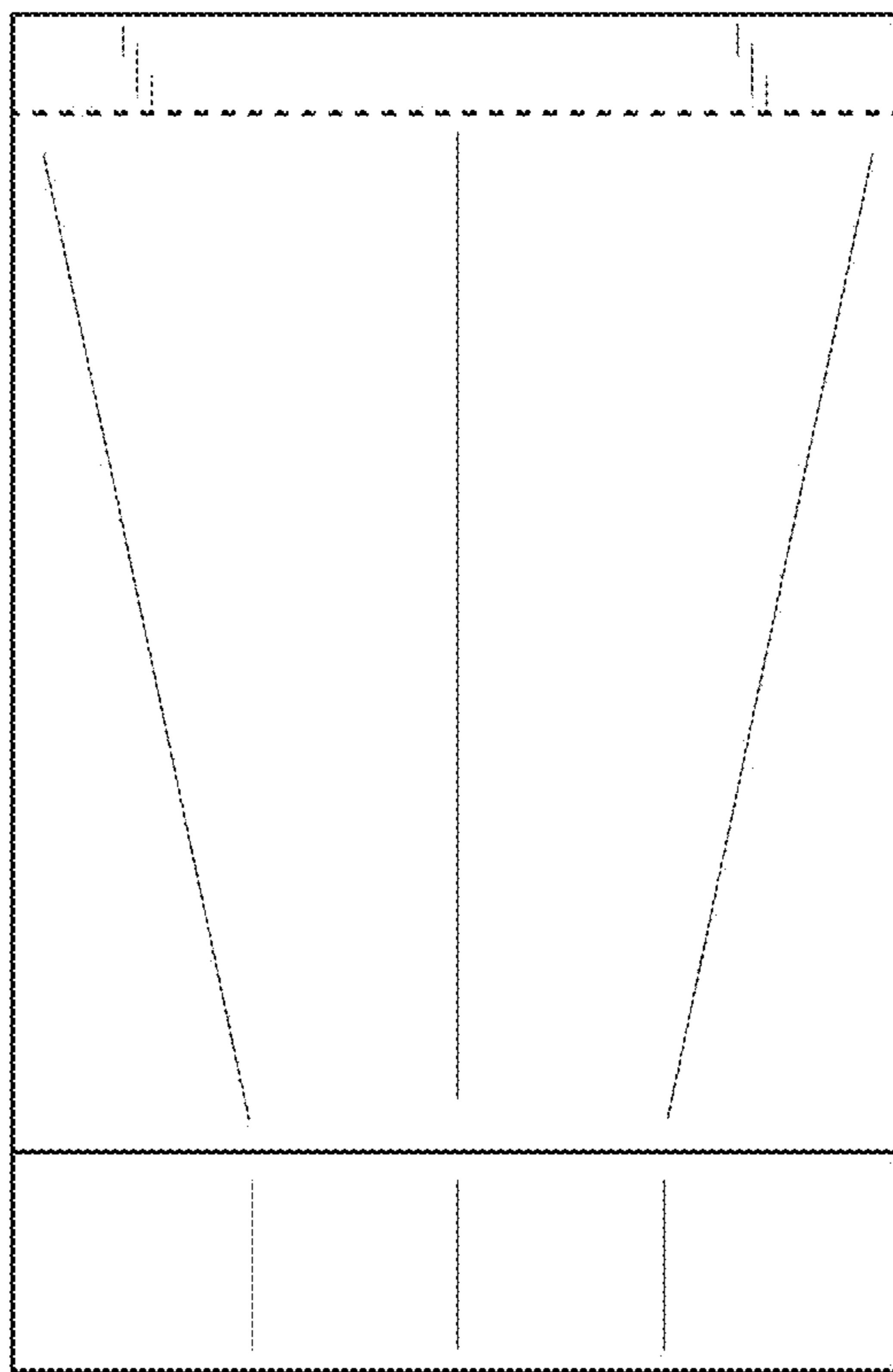


FIG. 12

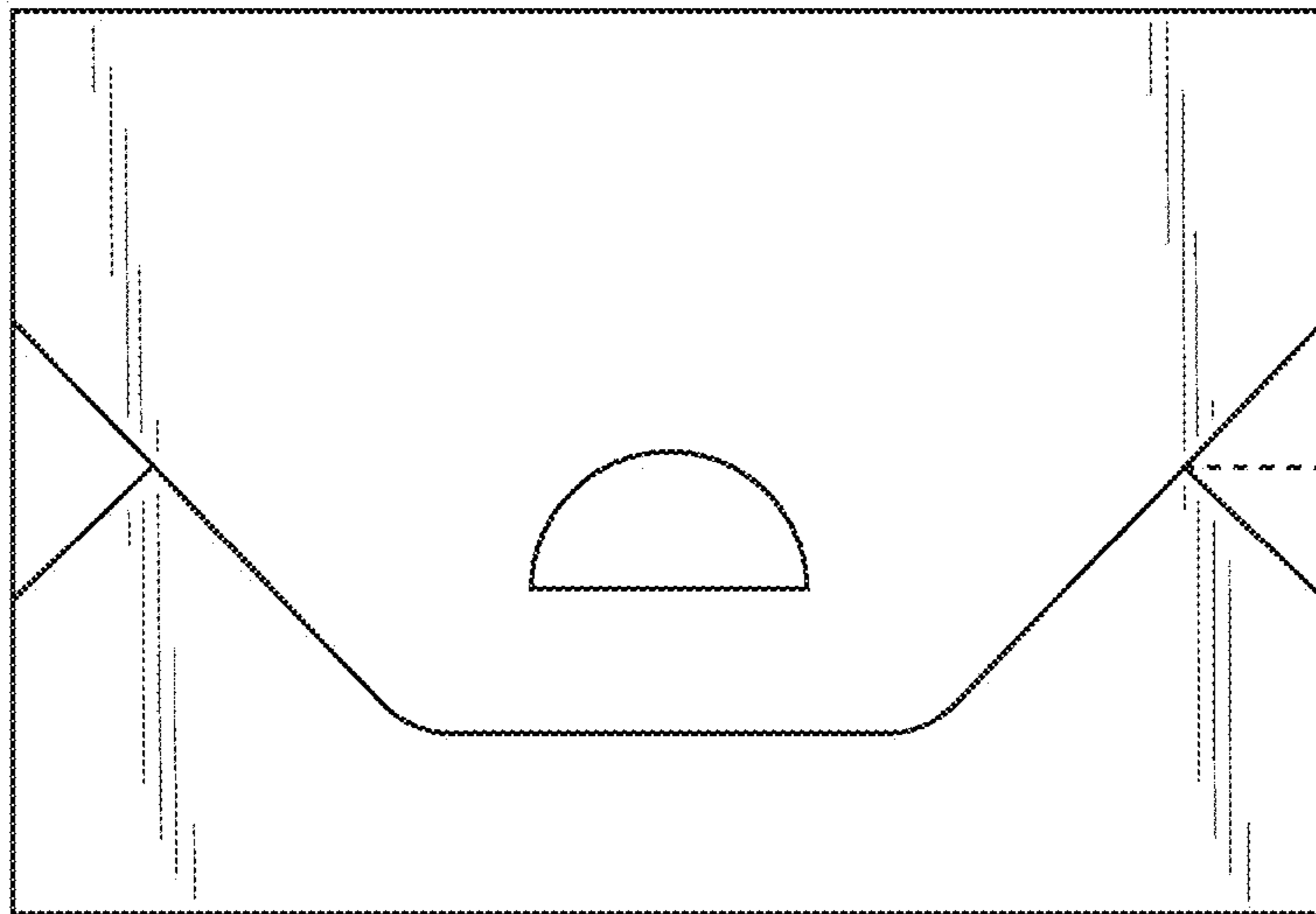


FIG. 13

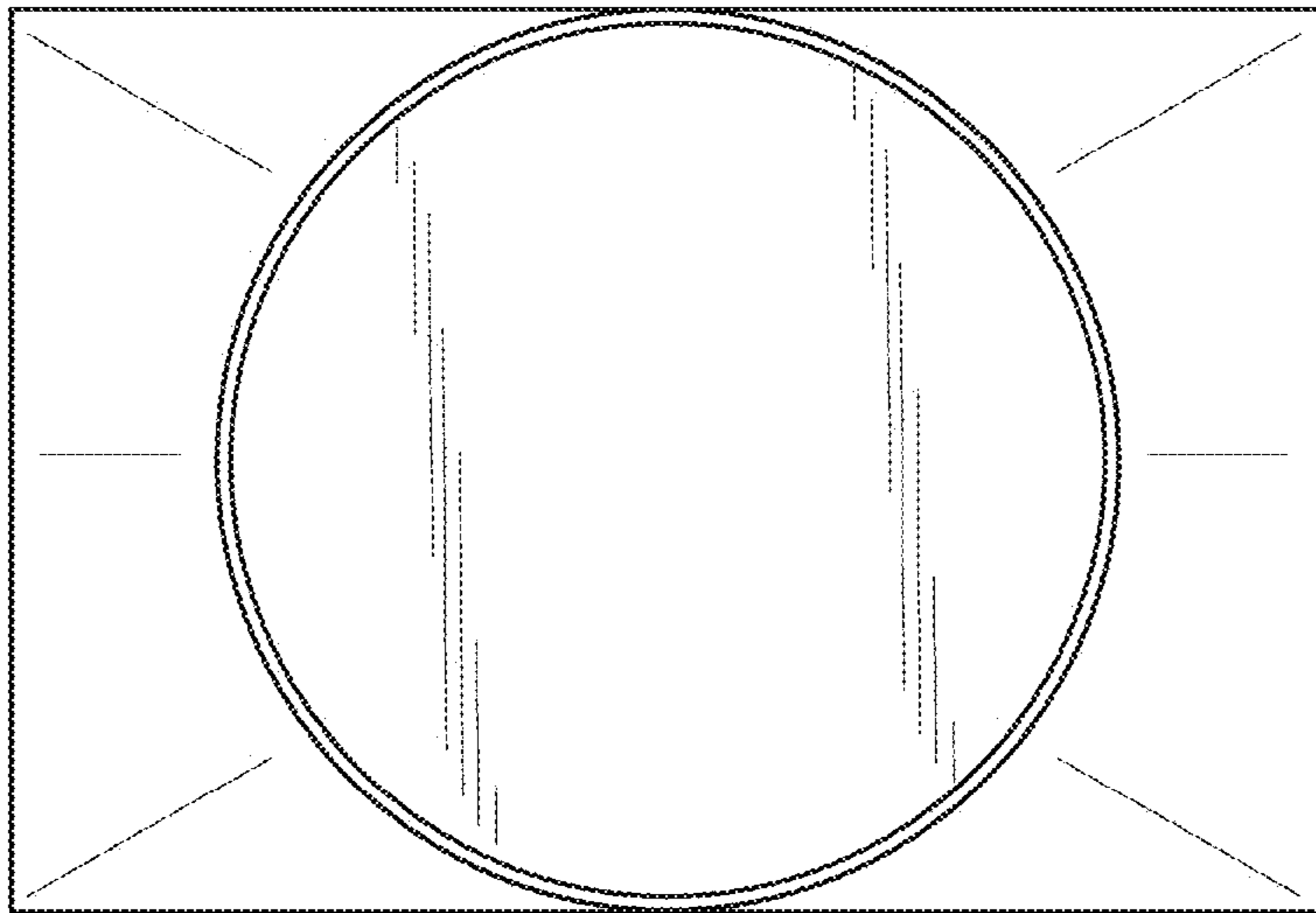


FIG. 14