



US00D874922S

(12) **United States Design Patent**
Ogdon

(10) **Patent No.:** **US D874,922 S**

(45) **Date of Patent:** **** Feb. 11, 2020**

(54) **LOCKING CONTAINER WITH A HINGED COMPARTMENT**

(71) Applicant: **Packed LLC**, Huntington Beach, CA (US)

(72) Inventor: **Jason Ogdon**, Aliso Viejo, CA (US)

(**) Term: **15 Years**

(21) Appl. No.: **29/638,953**

(22) Filed: **Mar. 2, 2018**

(51) **LOC (12) Cl.** **09-03**

(52) **U.S. Cl.**
USPC **D9/422**

(58) **Field of Classification Search**
USPC D9/414, 715, 721, 416, 723, 724, 726,
D9/432; D3/201, 203.1, 295-298
CPC B65D 85/00; B65D 43/20; B65D 43/12;
B65D 81/113; B65D 83/0409; B65D
81/05; B65D 81/02; B65D 85/30; B65D
5/5038; B65D 83/04; B65D 2519/00323;
B65D 2581/055; B65D 81/127; B65D
2583/0454; B65D 81/133; B65D
2519/00273

See application file for complete search history.

(56) **References Cited**

U.S. PATENT DOCUMENTS

- 4,691,456 A * 9/1987 Ackeret B42F 7/14
206/776
- D451,799 S * 12/2001 Berger D9/422
- D491,805 S * 6/2004 Loth D9/422
- D503,530 S * 4/2005 Roche D3/203.2
- D507,968 S * 8/2005 Dixon D9/422
- D534,069 S * 12/2006 Ohno D3/298
- 7,360,669 B2 * 4/2008 Drajan B65D 83/0409
221/208
- D623,050 S * 9/2010 Giraud D9/420

- D624,400 S * 9/2010 Wichowski D9/420
- 8,397,945 B2 * 3/2013 Gelardi B65D 83/02
206/473
- D684,458 S * 6/2013 Lee D9/414
- D695,604 S * 12/2013 Wichowski D9/420
- D703,374 S * 4/2014 Brannon D27/189
- D811,873 S * 3/2018 Turner D9/432
- 2008/0035643 A1 * 2/2008 Hoffman B65D 83/04
220/345.4
- 2009/0266837 A1 * 10/2009 Gelardi B65D 50/046
221/154

* cited by examiner

Primary Examiner — Lauren R Calve

(74) *Attorney, Agent, or Firm* — Richards Patent Law P.C.

(57) **CLAIM**

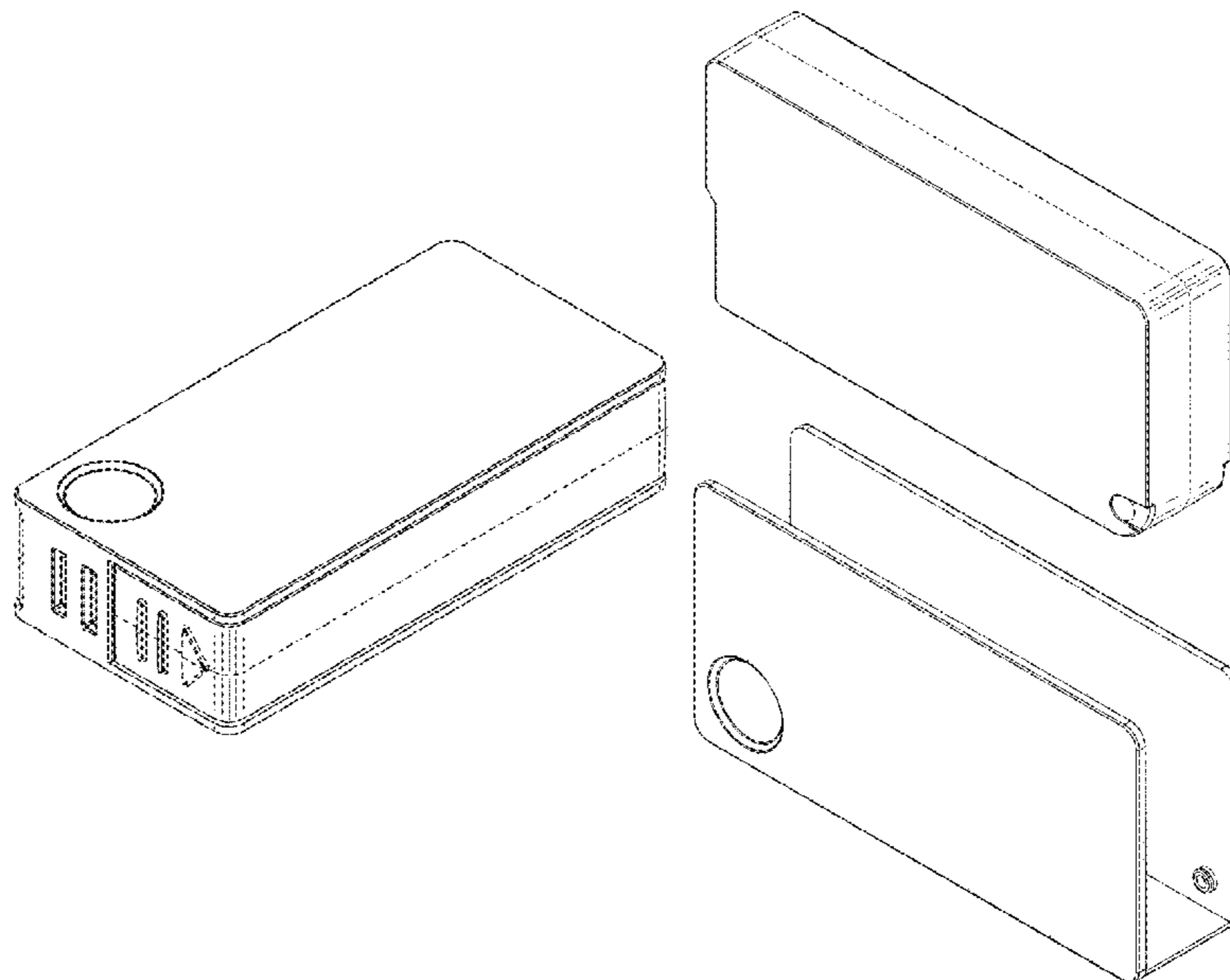
The ornamental design for a locking container with a hinged compartment, as shown and described.

DESCRIPTION

FIG. 1 is a top, front perspective view of a locking container with a hinged compartment showing my new design;
 FIG. 2 is a bottom, rear perspective view thereof;
 FIG. 3 is a top plan view thereof;
 FIG. 4 is a right side elevational view thereof;
 FIG. 5 is a left side elevational view thereof;
 FIG. 6 is a front elevational view thereof;
 FIG. 7 is a rear elevational view thereof;
 FIG. 8 is an exploded top, front perspective view thereof;
 and,
 FIG. 9 is an exploded bottom, front perspective view thereof.

The broken lines shown in the figures represent portions of the container that form no part of the claimed design.

1 Claim, 5 Drawing Sheets



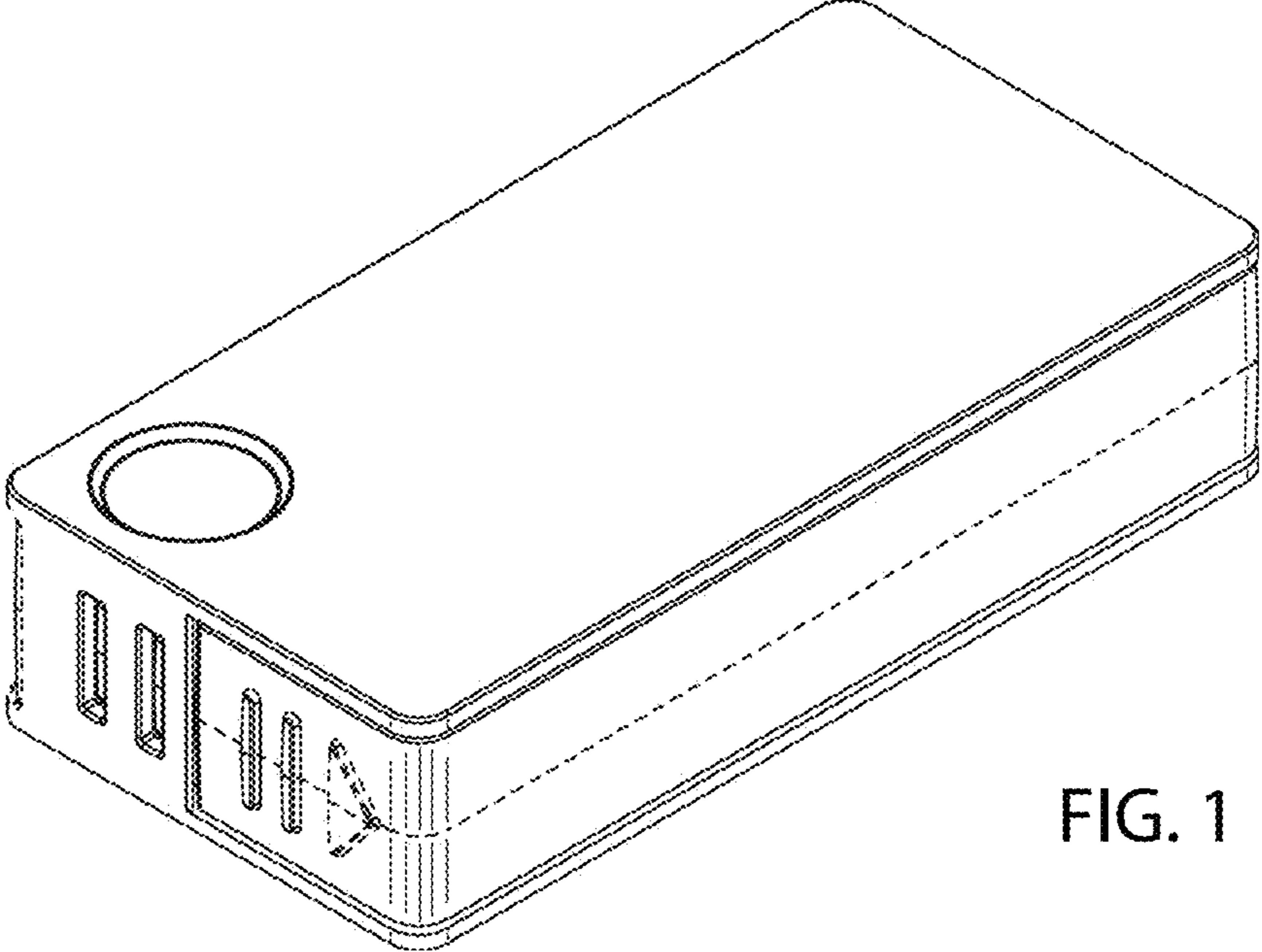


FIG. 1

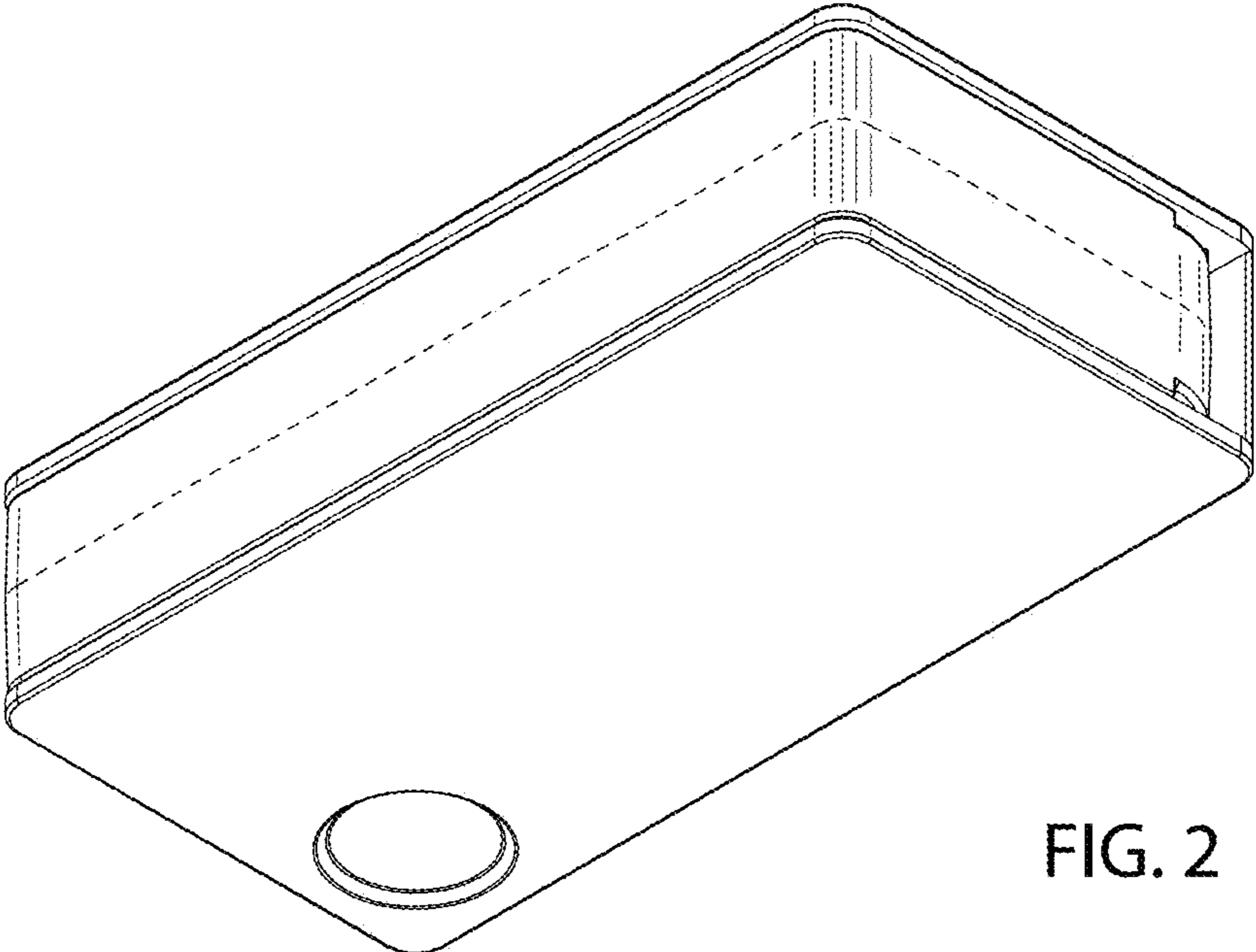


FIG. 2

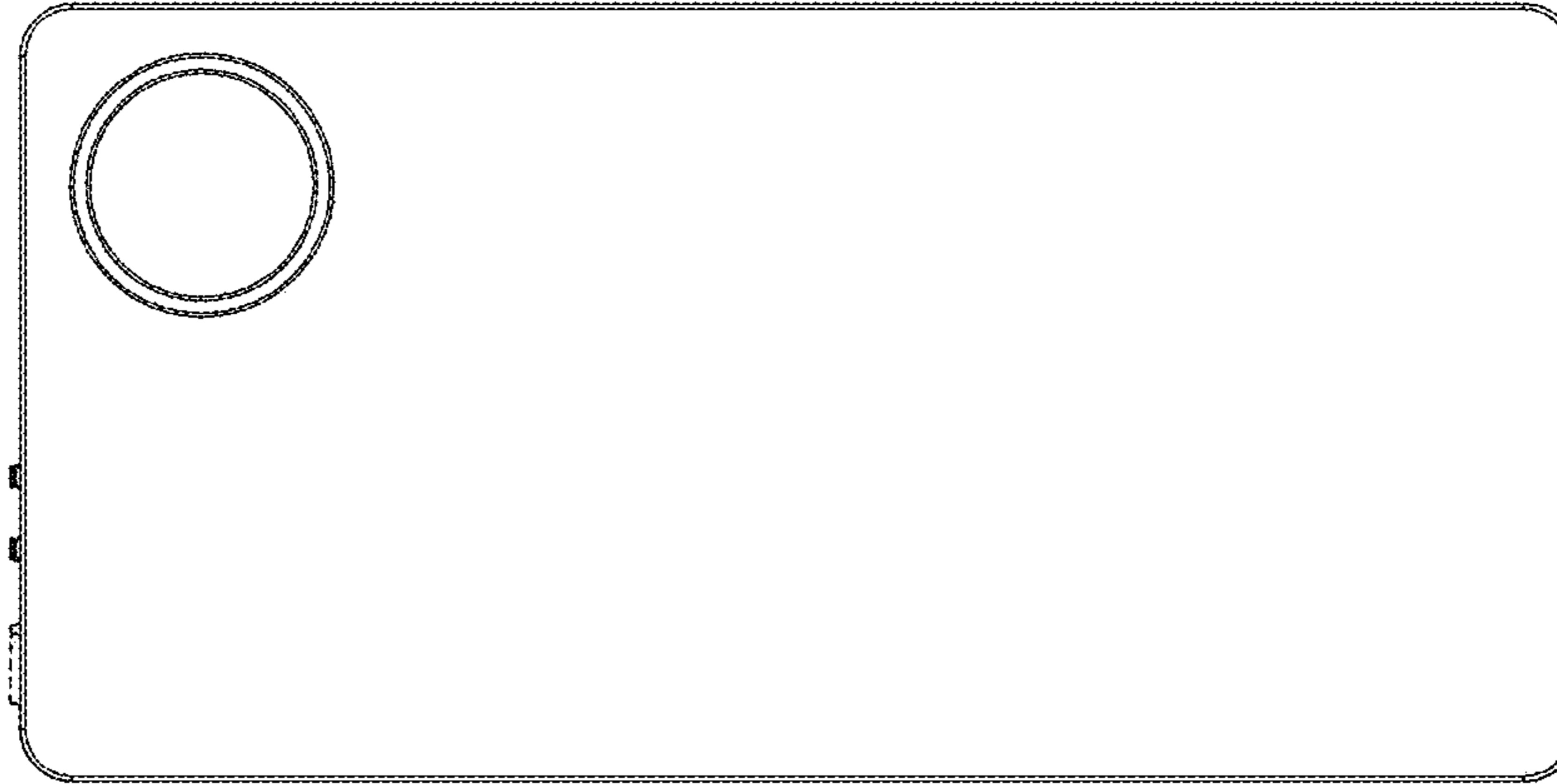


FIG. 3

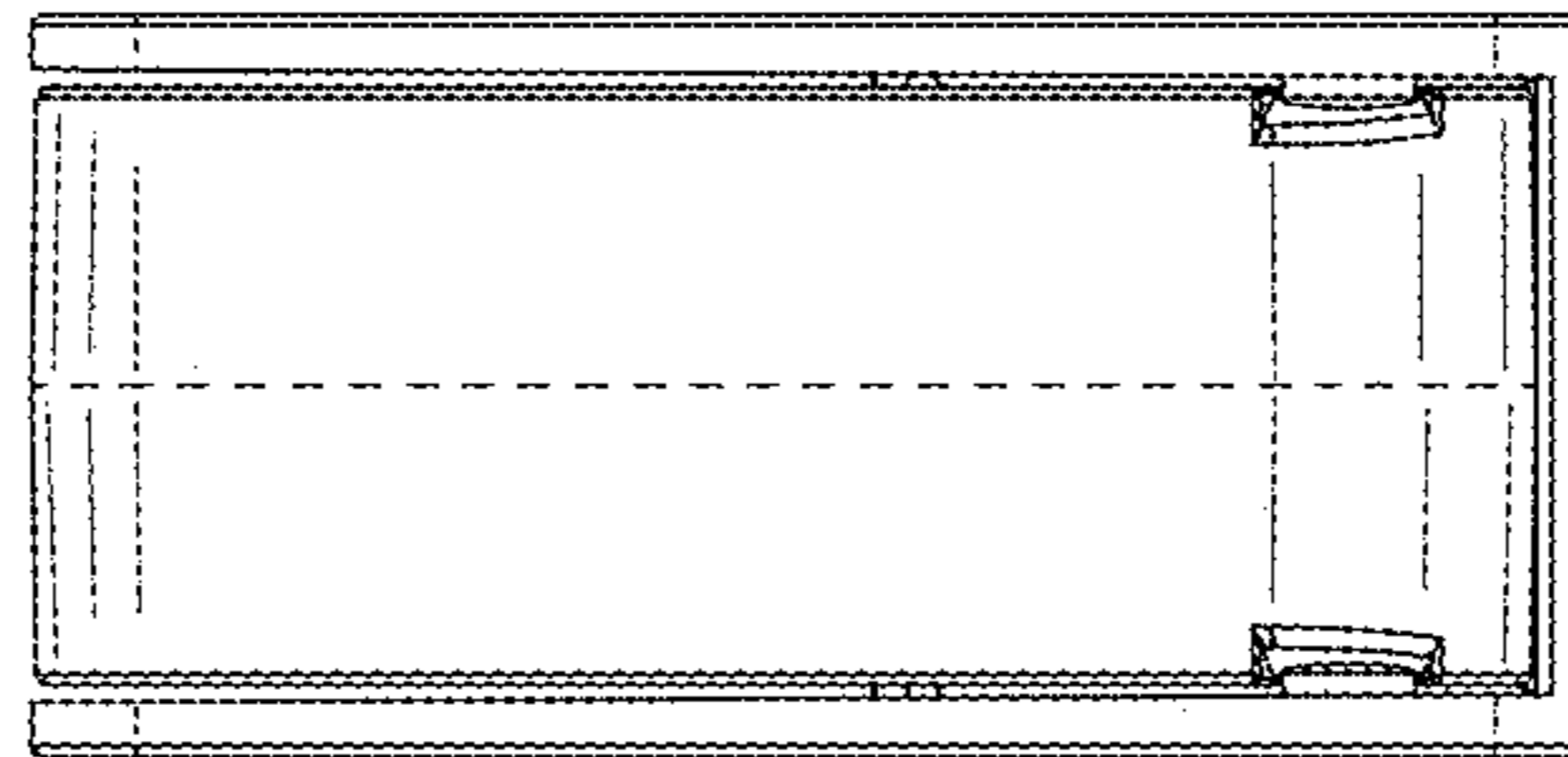


FIG. 4

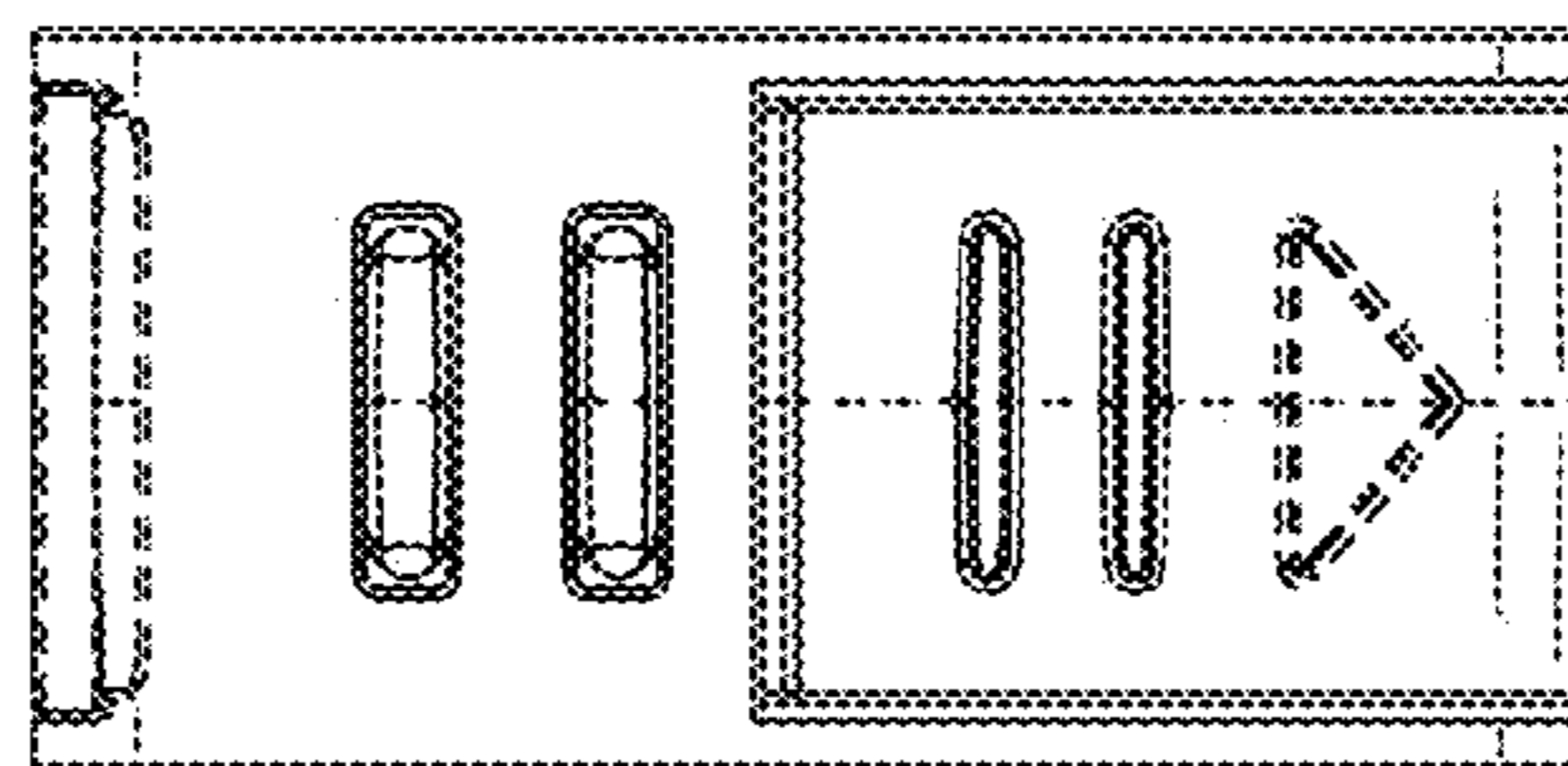


FIG. 5

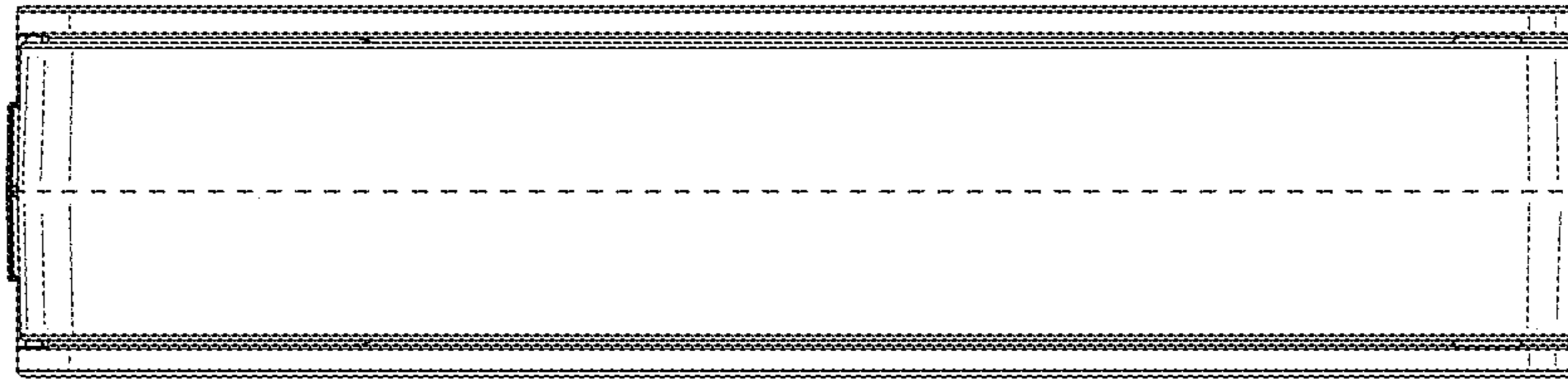


FIG. 6



FIG. 7

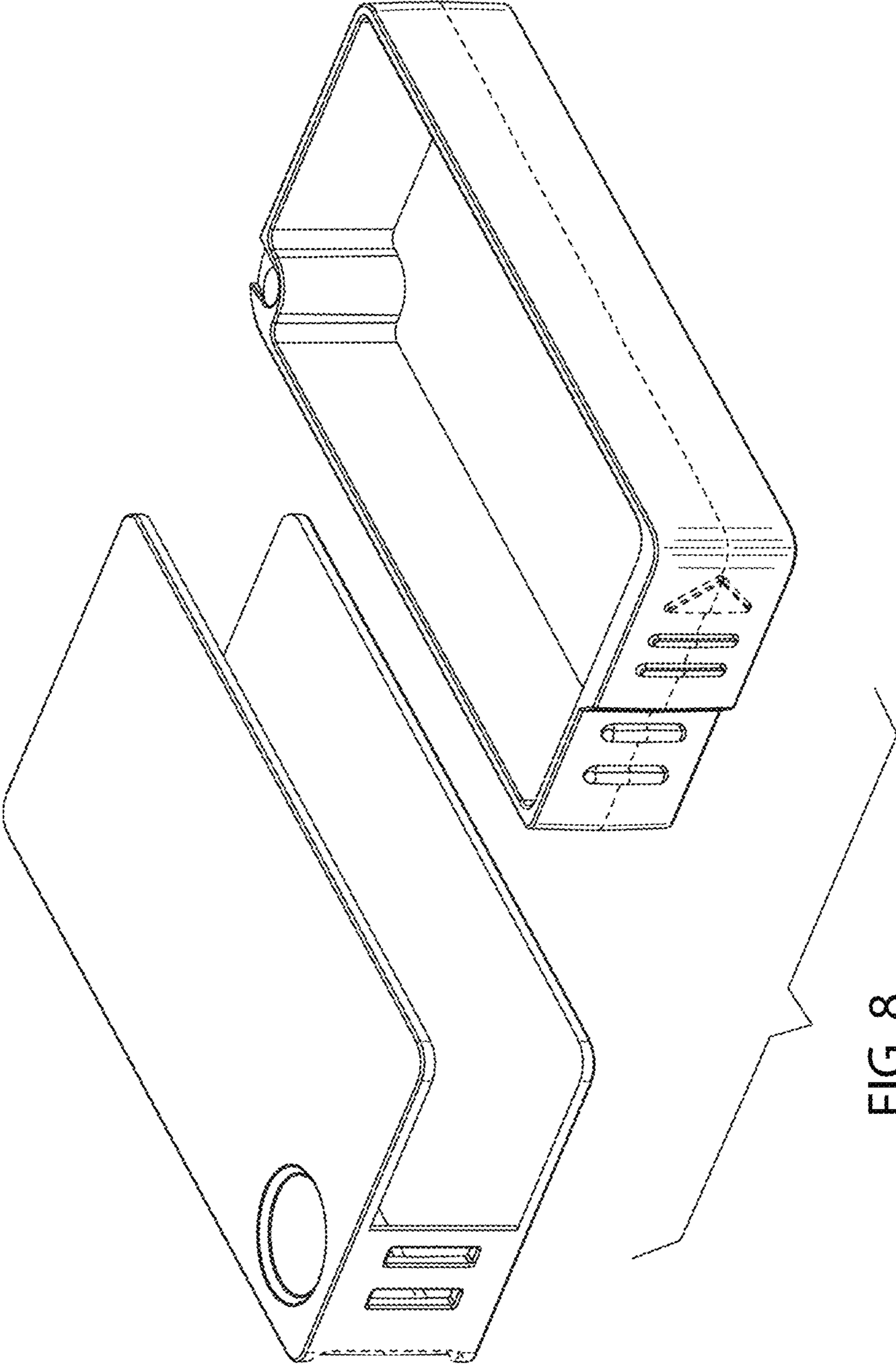


FIG. 8

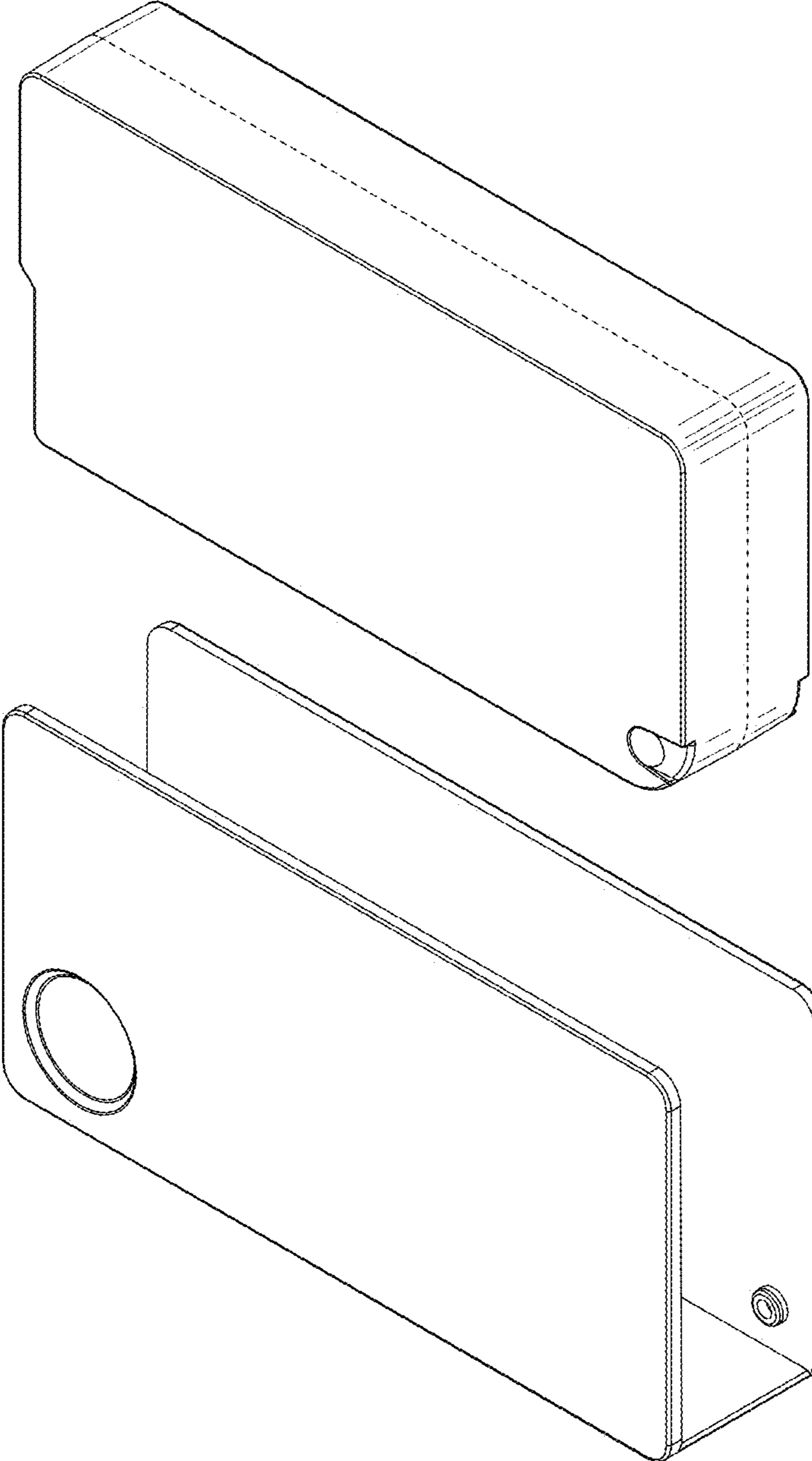


FIG. 9