



US00D874921S

(12) **United States Design Patent**
Zhao

(10) **Patent No.:** **US D874,921 S**

(45) **Date of Patent:** **** Feb. 11, 2020**

(54) **FACIAL OIL BLOTTING PAPER BOX**

(71) Applicant: **Wei Zhao**, Guangzhou (CN)

(72) Inventor: **Wei Zhao**, Guangzhou (CN)

(**) Term: **15 Years**

(21) Appl. No.: **29/673,029**

(22) Filed: **Dec. 11, 2018**

(51) **LOC (12) Cl.** **09-03**

(52) **U.S. Cl.**
USPC **D9/420**

(58) **Field of Classification Search**
USPC D9/420, 423, 432, 415, 422, 702, 631;
D6/407, 634; D3/303, 201, 264
CPC B65D 71/0085; B65D 5/321
See application file for complete search history.

(56) **References Cited**

U.S. PATENT DOCUMENTS

1,515,901	A *	11/1924	Helmquest	A47G 1/141
					40/124.09
1,668,572	A *	5/1928	Parmele	G09F 5/042
					206/292
1,755,375	A *	4/1930	Tanner	B65D 27/00
					229/800
D110,742	S *	8/1938	Wolf	D9/631
3,392,903	A *	7/1968	Morgan, Jr.	B65D 27/00
					206/45.21
D250,748	S *	1/1979	Leger	D9/420
D327,004	S *	6/1992	Nadel	D9/432
D387,976	S *	12/1997	Mori	D6/634
D388,951	S *	1/1998	Mori	D3/201
D417,974	S *	12/1999	Mori	D6/407
D431,775	S *	10/2000	Plattner	D9/415
D454,303	S *	3/2002	Sipinen	D9/702
D465,416	S *	11/2002	Dzwill	D9/432
D479,464	S *	9/2003	Kopecky	D9/432
D484,046	S *	12/2003	Kopecky	D9/432
D503,087	S *	3/2005	Dzwill	D3/264

D512,304	S *	12/2005	Aldridge	D9/422
7,159,717	B2 *	1/2007	Aldridge	B65D 5/321
					206/449
7,325,686	B2 *	2/2008	Aldridge	B65D 71/0085
					206/460
D582,268	S *	12/2008	Zanaletti	D9/432
D594,323	S *	6/2009	Friedman	D9/423
D613,153	S *	4/2010	Russell	D9/423
D644,100	S *	8/2011	Stacy-Ryan	D9/423
D694,523	S *	12/2013	Chiang	D3/303
D792,784	S *	7/2017	Wangtaveesab	D9/420

* cited by examiner

Primary Examiner — Rhea Shields

(74) *Attorney, Agent, or Firm* — Law Offices of Steven W. Weinrieb

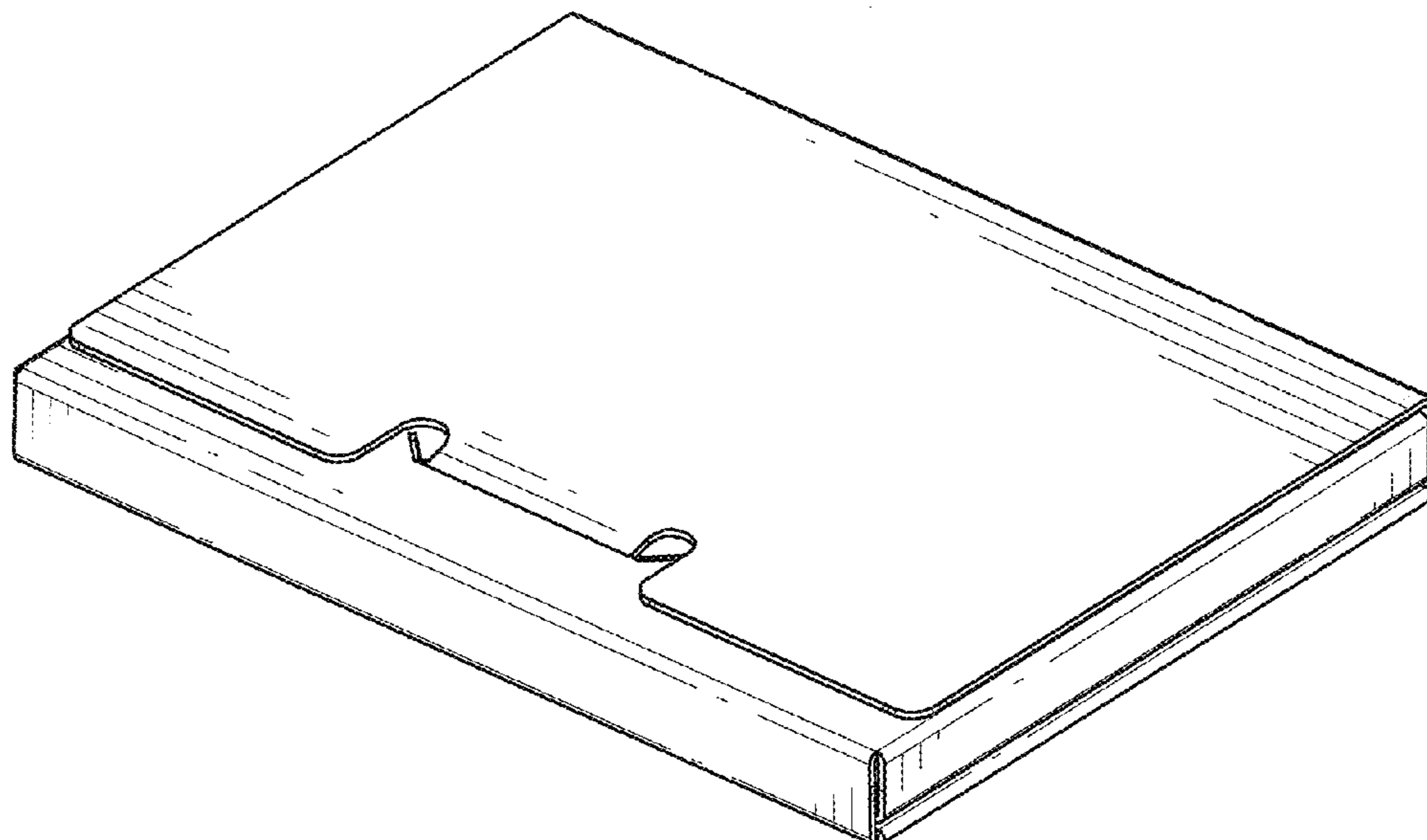
(57) **CLAIM**

The ornamental design for a facial oil blotting paper box, as shown and described.

DESCRIPTION

FIG. 1 is a front, right side, top perspective view of the facial oil blotting paper box showing my new design;
 FIG. 2 is a top plan view thereof;
 FIG. 3 is a bottom plan view thereof.
 FIG. 4 is a front elevational view thereof;
 FIG. 5 is a rear elevational view thereof;
 FIG. 6 is a left side elevational view thereof;
 FIG. 7 is a bottom plan view thereof;
 FIG. 8 is a perspective view in an open position, showing environment; and,
 FIG. 9 is another perspective view thereof; showing a different environment.
 The broken lines immediately adjacent to the claimed portions are boundaries, all other broken lines are environmental structures; all the broken lines form no part of the claimed design.

1 Claim, 9 Drawing Sheets



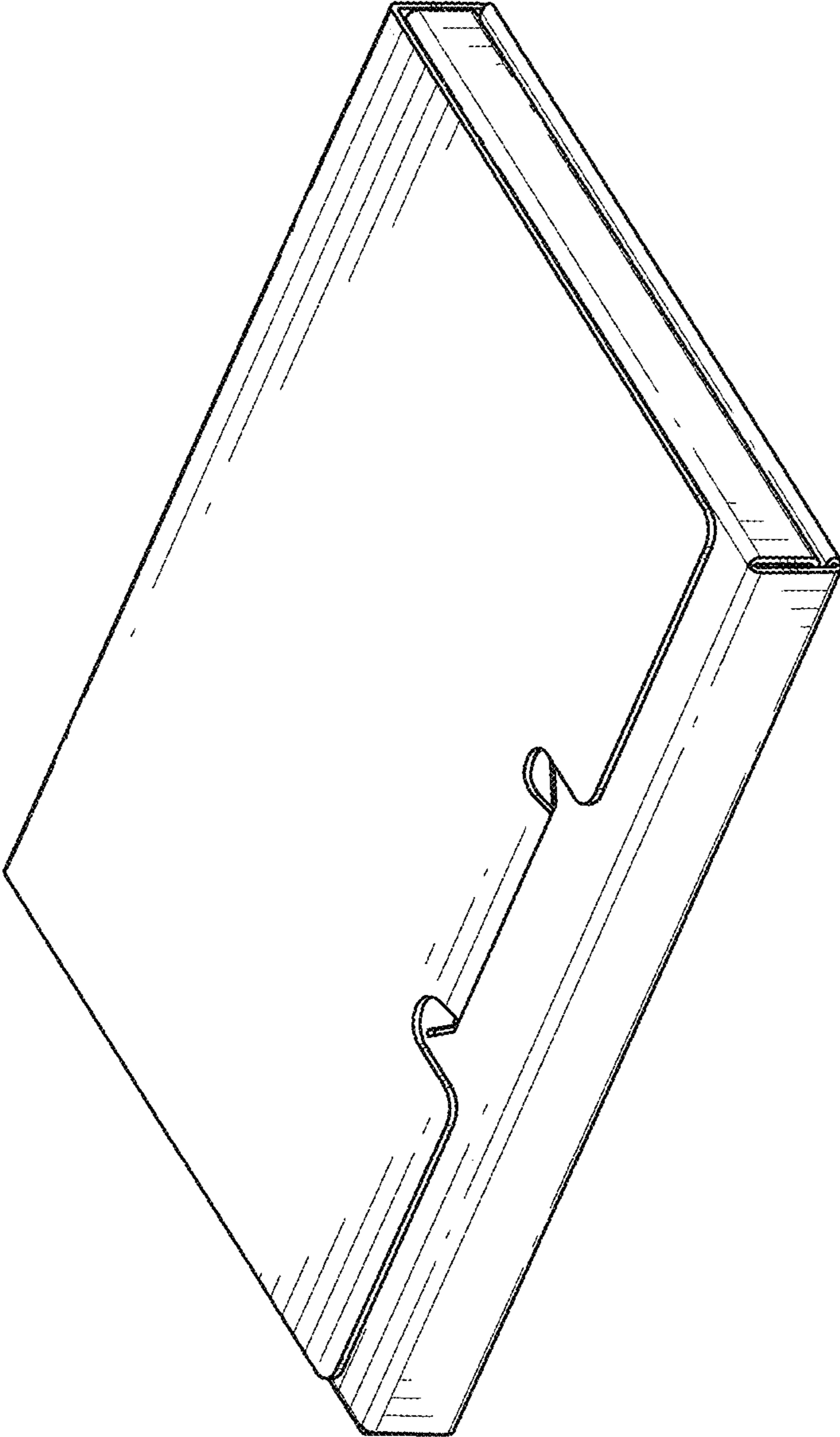


FIG. 1

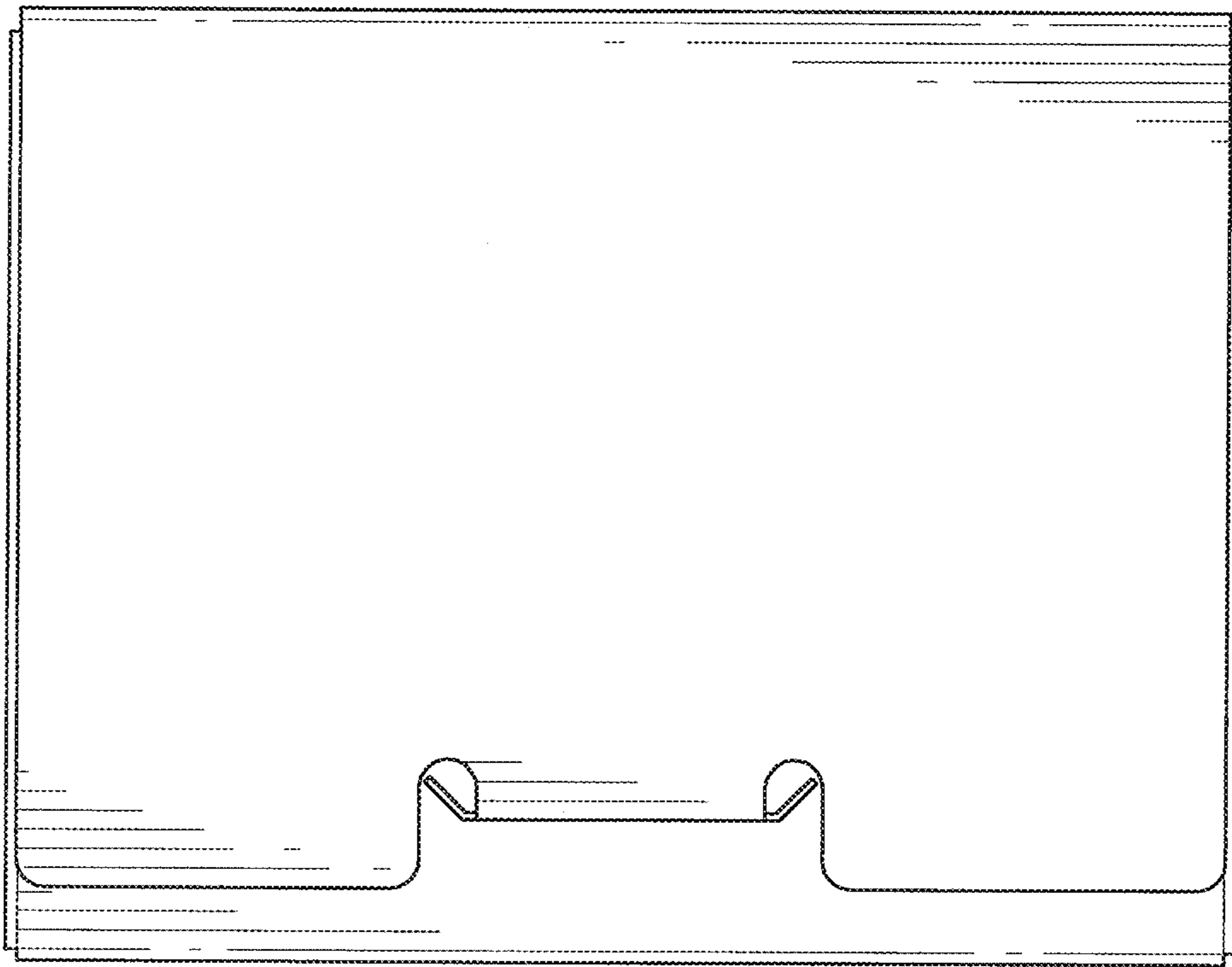


FIG. 2



FIG. 3

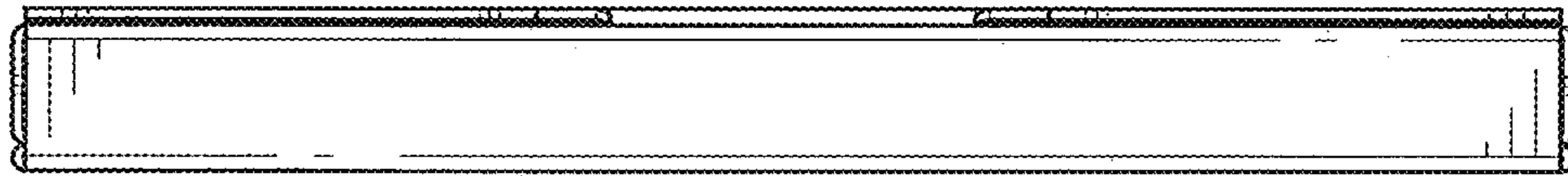


FIG. 4

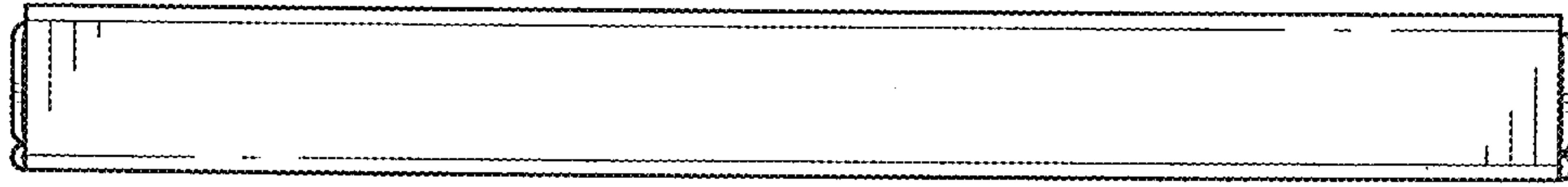


FIG. 5

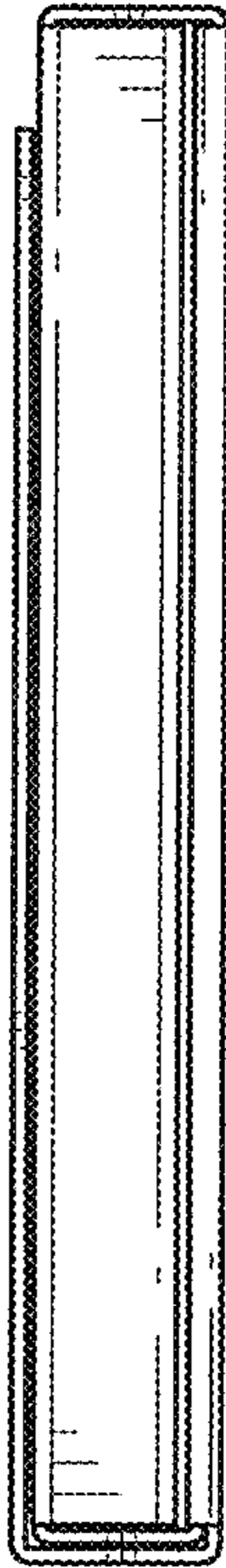


FIG. 6



FIG. 7

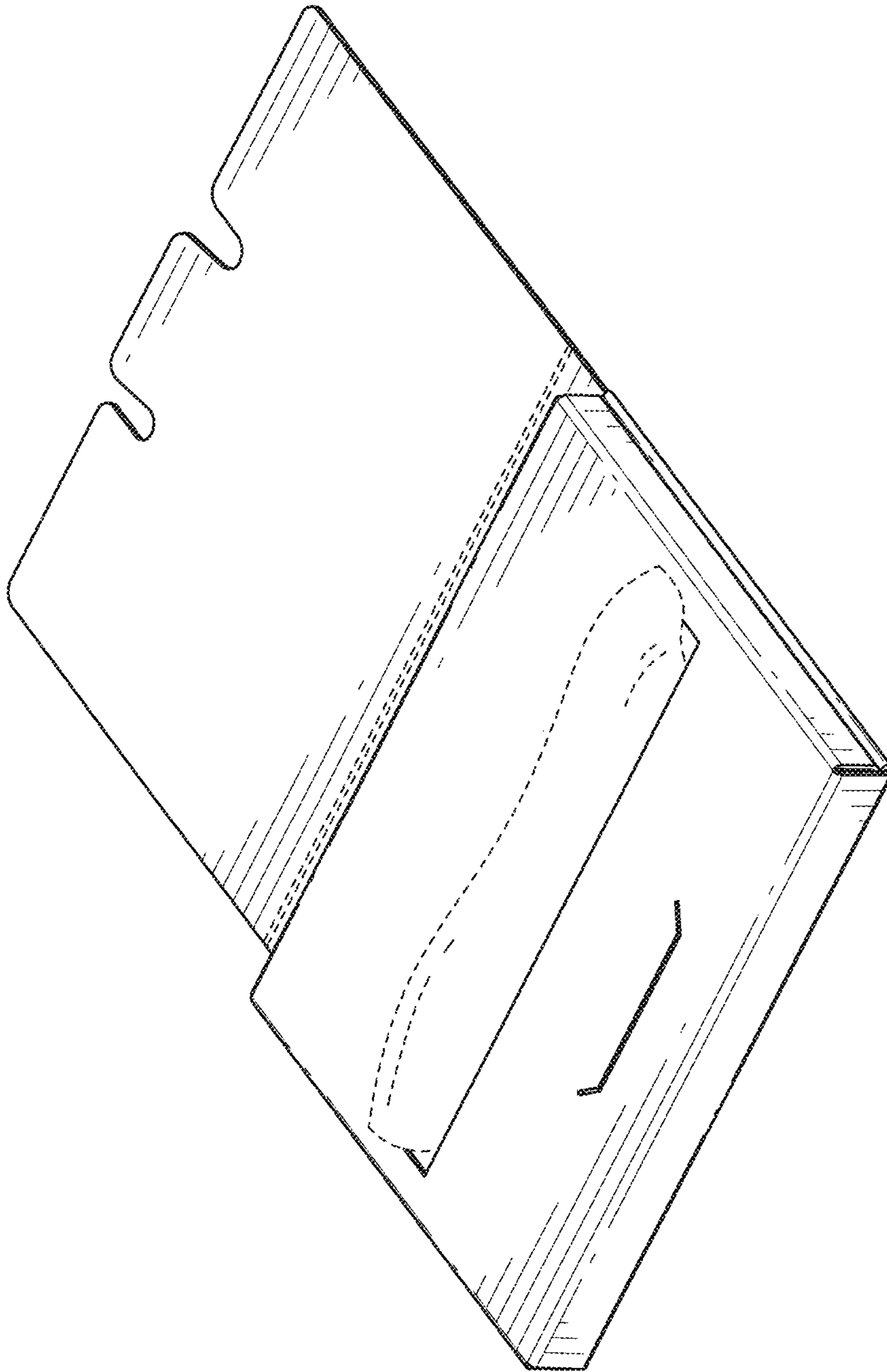


FIG. 8

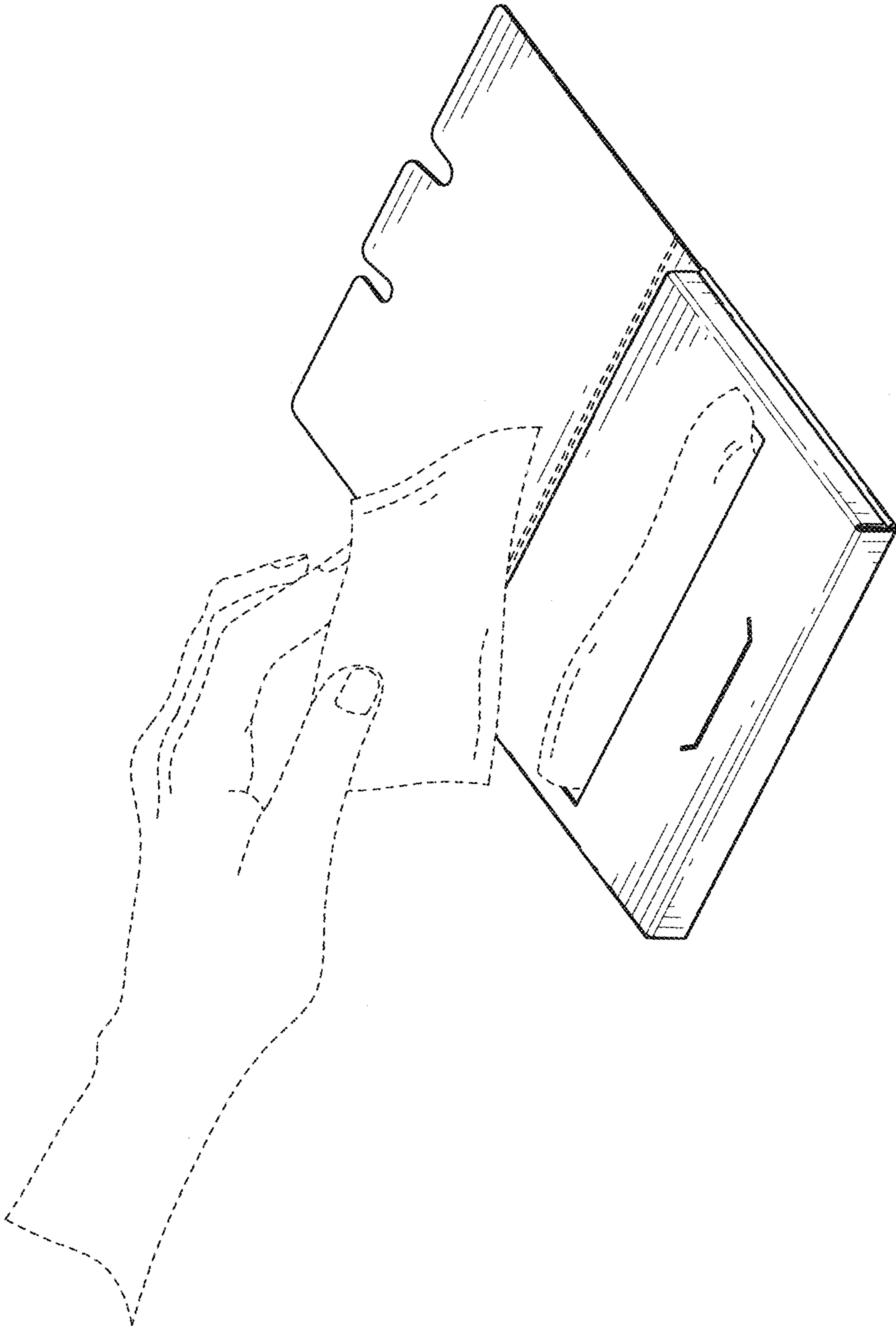


FIG. 9