



US00D874920S

(12) **United States Design Patent** (10) **Patent No.:** **US D874,920 S**  
**Lindsay et al.** (45) **Date of Patent:** **\*\* \*Feb. 11, 2020**

(54) **CONTAINER**

D278,412 S \* 4/1985 Yeung ..... D9/420  
D375,259 S \* 11/1996 Whitehead ..... D9/420  
5,857,583 A \* 1/1999 Chantaca ..... A47G 19/065  
206/564

(71) Applicant: **Sistema Plastics Limited**, Mangere,  
Auckland (NZ)

(Continued)

(72) Inventors: **Cameron Lindsay**, Auckland (NZ);  
**Raymond Holmes**, Auckland (NZ)

FOREIGN PATENT DOCUMENTS

(73) Assignee: **SISTEMA PLASTICS LIMITED**  
(NZ)

AU 2004201936 B2 11/2005  
WO 2009028960 A1 3/2009

(\* ) Notice: This patent is subject to a terminal dis-  
claimer.

OTHER PUBLICATIONS

(\*\*) Term: **15 Years**

Sistema 21685ZS to Go Collection Bento Cube; Retrieved from  
[https://www.amazon.com/Sistema-21685ZS-Collection-Bento-Received/dp/B071JMJNMY/ref=sr\\_1\\_1?ie=UTF8&qid=1546012151&sr=8-1&keywords=1.25L+Bento+Cube](https://www.amazon.com/Sistema-21685ZS-Collection-Bento-Received/dp/B071JMJNMY/ref=sr_1_1?ie=UTF8&qid=1546012151&sr=8-1&keywords=1.25L+Bento+Cube); Retrieved on Dec. 28,  
2018; Jun. 5, 2017 (Year: 2017).\*

(21) Appl. No.: **29/634,984**

(Continued)

(22) Filed: **Jan. 26, 2018**

*Primary Examiner* — Wan Laymon

(30) **Foreign Application Priority Data**

*Assistant Examiner* — Clint A Samuel

Jul. 28, 2017 (ZA) ..... F2017/01194

(74) *Attorney, Agent, or Firm* — McCarter & English,  
LLP

(51) **LOC (12) Cl.** ..... **09-03**

(57) **CLAIM**

(52) **U.S. Cl.**  
USPC ..... **D9/420**

The ornamental design for a container, as shown and  
described.

(58) **Field of Classification Search**  
USPC ..... D9/414, 420, 426, 432, 654, 715, 716,  
D9/719, 721, 737, 738, 751, 759;  
D3/201, 203.2, 203.3, 203.6, 205, 905;  
D7/542, 601, 602, 605, 629, 701, 709  
CPC .. A47J 41/00; A47J 47/00; B65D 5/00; B65D  
5/0085; B65D 1/00; B65D 1/22; B65D  
1/24; B65D 77/006; B65D 9/00; B65D  
43/00; B65D 43/162; B65D 43/163  
See application file for complete search history.

**DESCRIPTION**

(56) **References Cited**

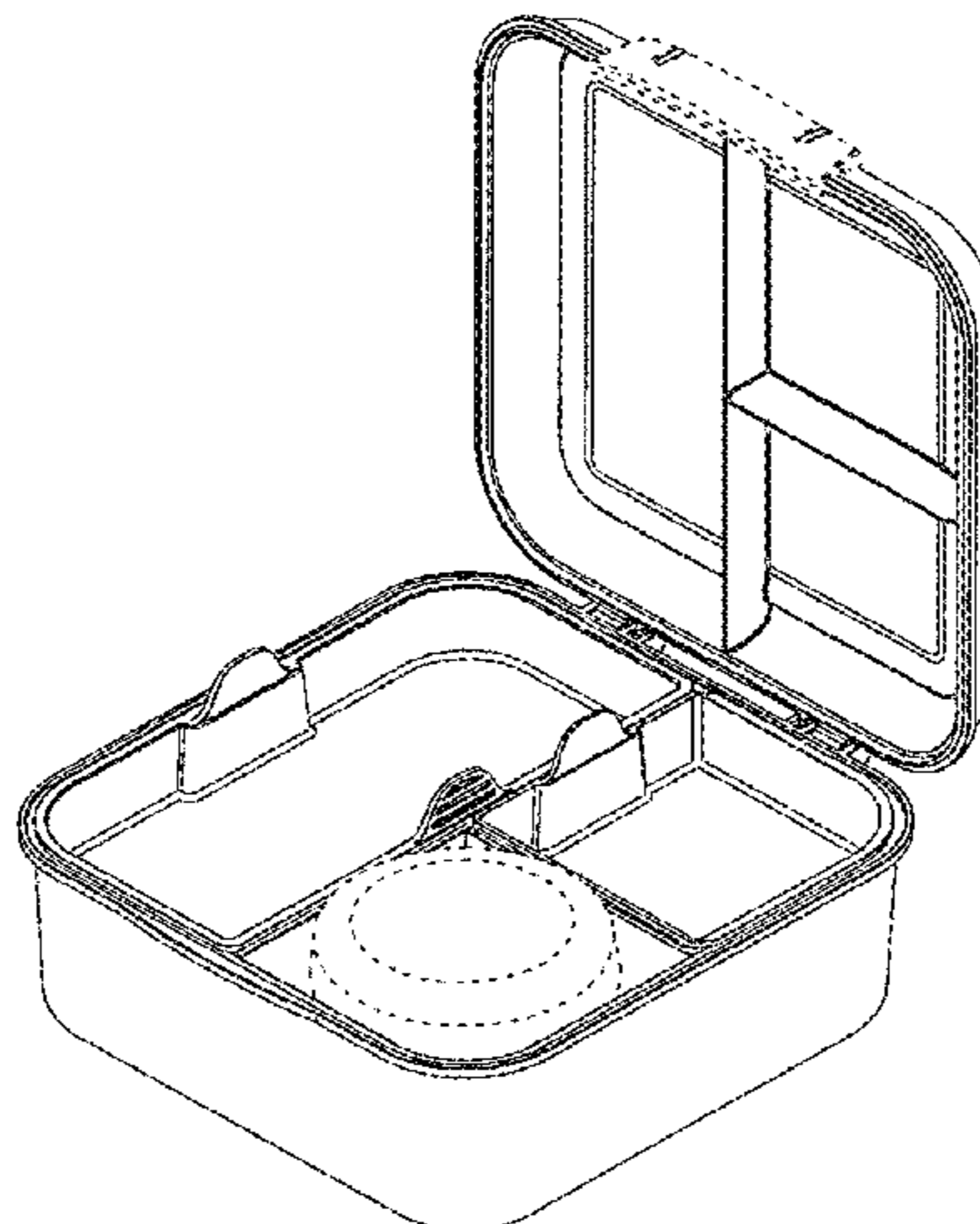
FIG. 1 is a top front perspective view of a container with its  
lid in an open position;  
FIG. 2 is a front view of the container of FIG. 1;  
FIG. 3 is a rear view of the container of FIG. 1;  
FIG. 4 is left side view of the container of FIG. 1;  
FIG. 5 is a right side view of the container of FIG. 1;  
FIG. 6 is a top view of the container of FIG. 1;  
FIG. 7 is a bottom view the container of FIG. 1; and,  
FIG. 8 is a top front perspective view of the container of  
FIG. 1 with its lid in a closed position.

U.S. PATENT DOCUMENTS

The broken lines show structure that is not part of the  
claimed design, but rather are directed to environment in  
which the design is associated, or show portions of the

D263,023 S \* 2/1982 Comisso ..... D9/420  
D269,854 S \* 7/1983 Comisso ..... D9/426

(Continued)



article on which the design is embodied or applied, and are for illustrative purposes only. The broken lines form no part of the claimed design.

**1 Claim, 8 Drawing Sheets**

(56) **References Cited**

U.S. PATENT DOCUMENTS

D463,276 S \* 9/2002 Piscopo ..... D9/420  
D472,774 S \* 4/2003 Pelstring ..... D7/629  
D656,369 S \* 3/2012 Everson ..... B65D 43/162  
D7/629  
D688,921 S \* 9/2013 Miros ..... D7/629  
D695,575 S \* 12/2013 Katz ..... D7/629  
D741,664 S \* 10/2015 Kyle ..... D7/629  
D752,430 S \* 3/2016 Stevenson ..... D9/425  
D763,629 S \* 8/2016 Swartz ..... D7/629  
9,414,701 B1 \* 8/2016 Yen ..... A45C 13/02  
D781,698 S \* 3/2017 Koroukian ..... D9/420  
D815,500 S \* 4/2018 Michie ..... D7/709  
10,005,573 B2 \* 6/2018 Miros ..... A45C 11/20  
D829,545 S \* 10/2018 Thurin ..... D9/425  
2013/0081361 A1 \* 4/2013 Miros ..... A45C 11/20  
53/420  
2016/0280413 A1 \* 9/2016 Kaminski ..... B65D 1/30

OTHER PUBLICATIONS

1' 25L Bento Cube; Retrieved from <https://sistemaplastics.com/products/lunch/1.251-bento-cubel>; Retrieved on Dec. 28, 2018; Sep. 18, 2018 (Year: 2018).\*  
Sistema, Product Catalogue 2016, 2016, pp. 1, 44, 2 pages.

\* cited by examiner

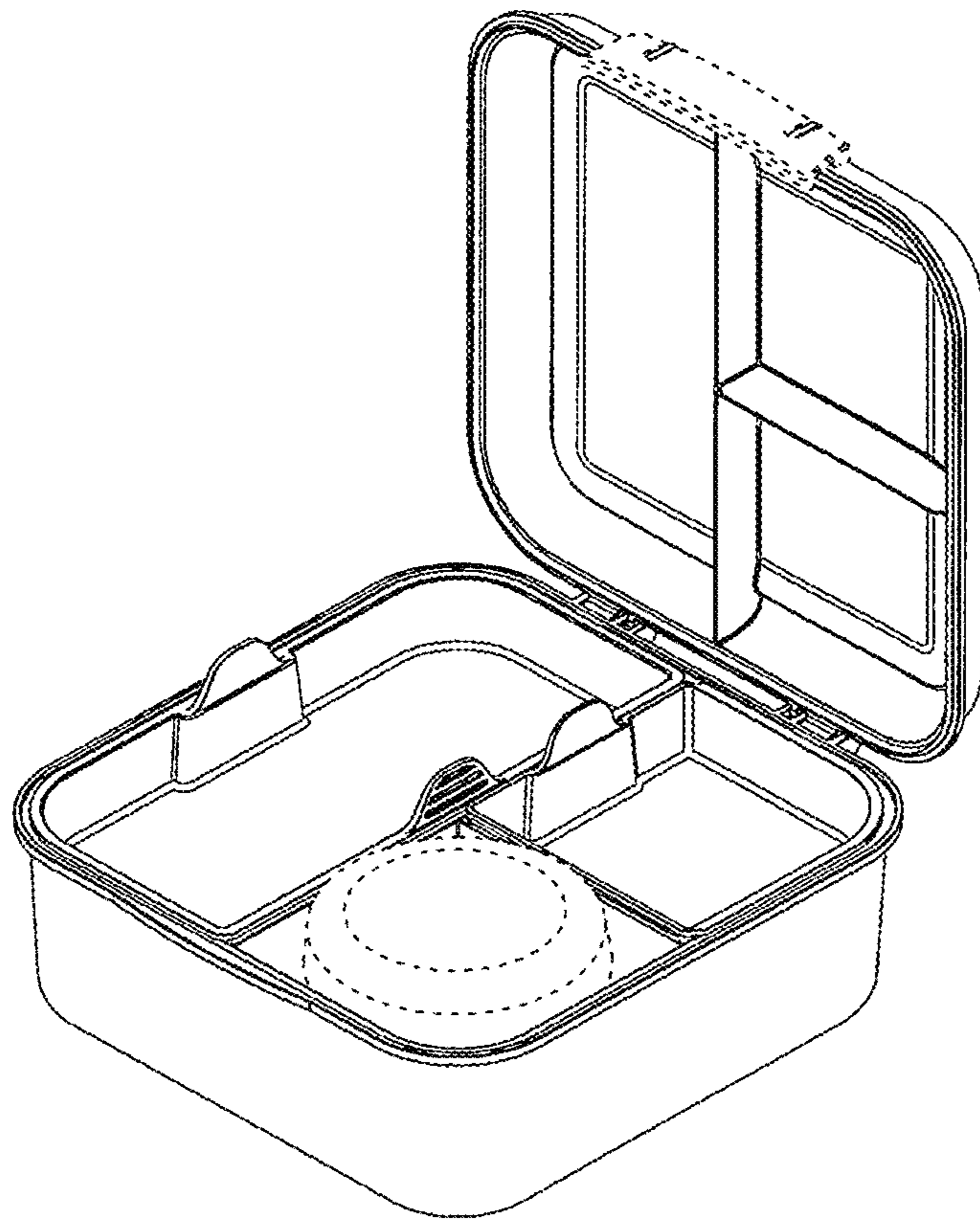


FIG. 1

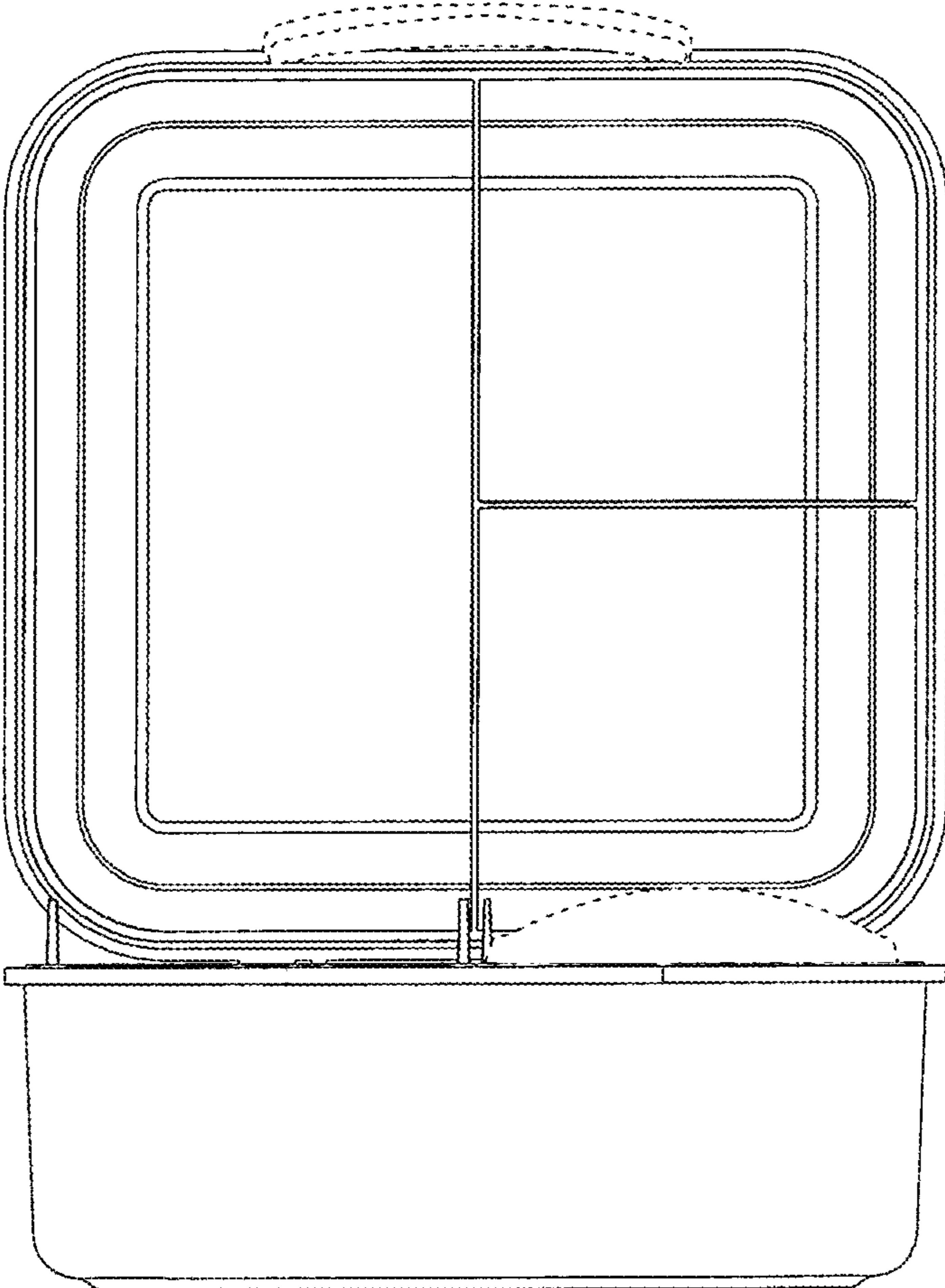


FIG. 2

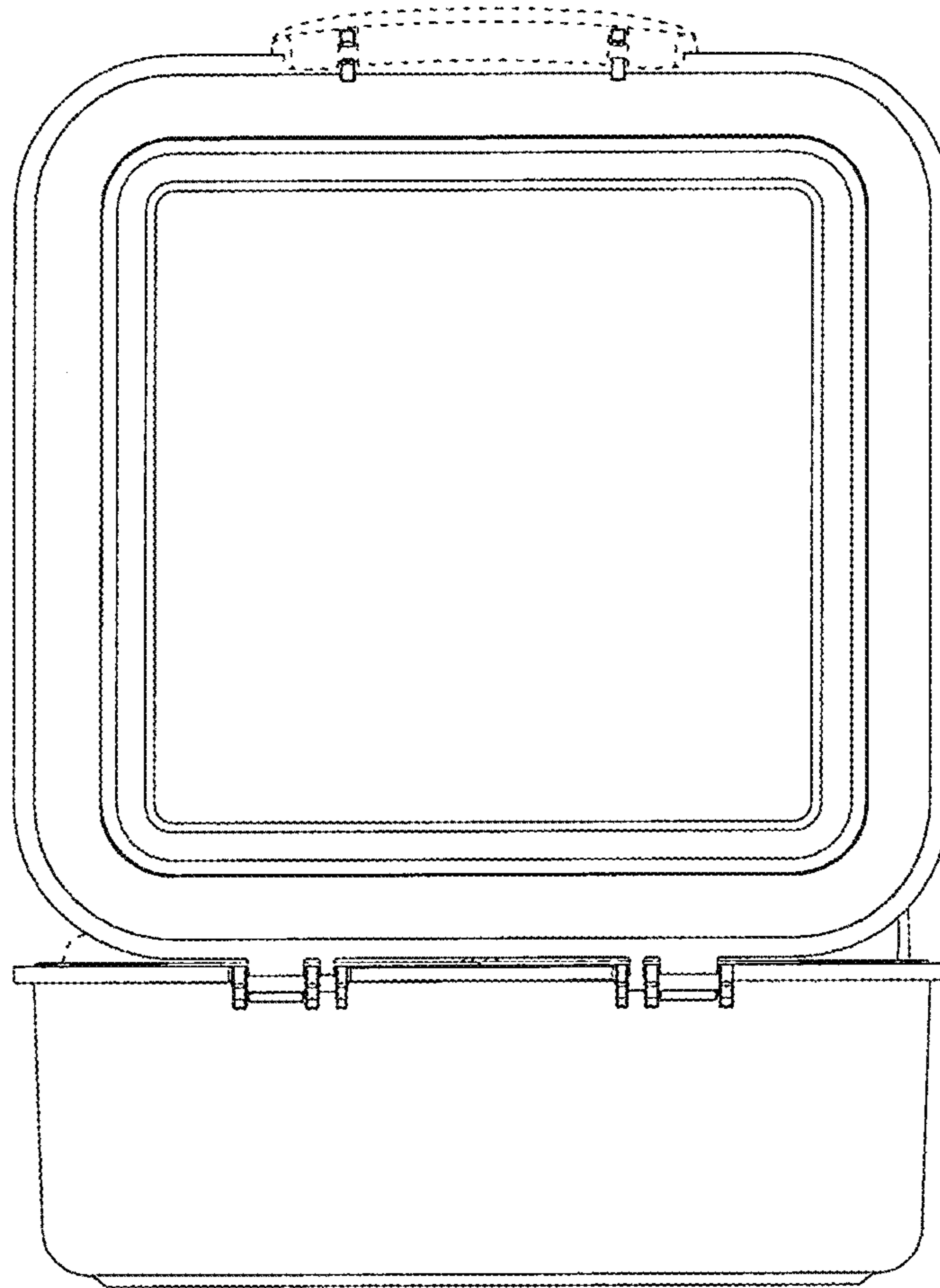


FIG. 3



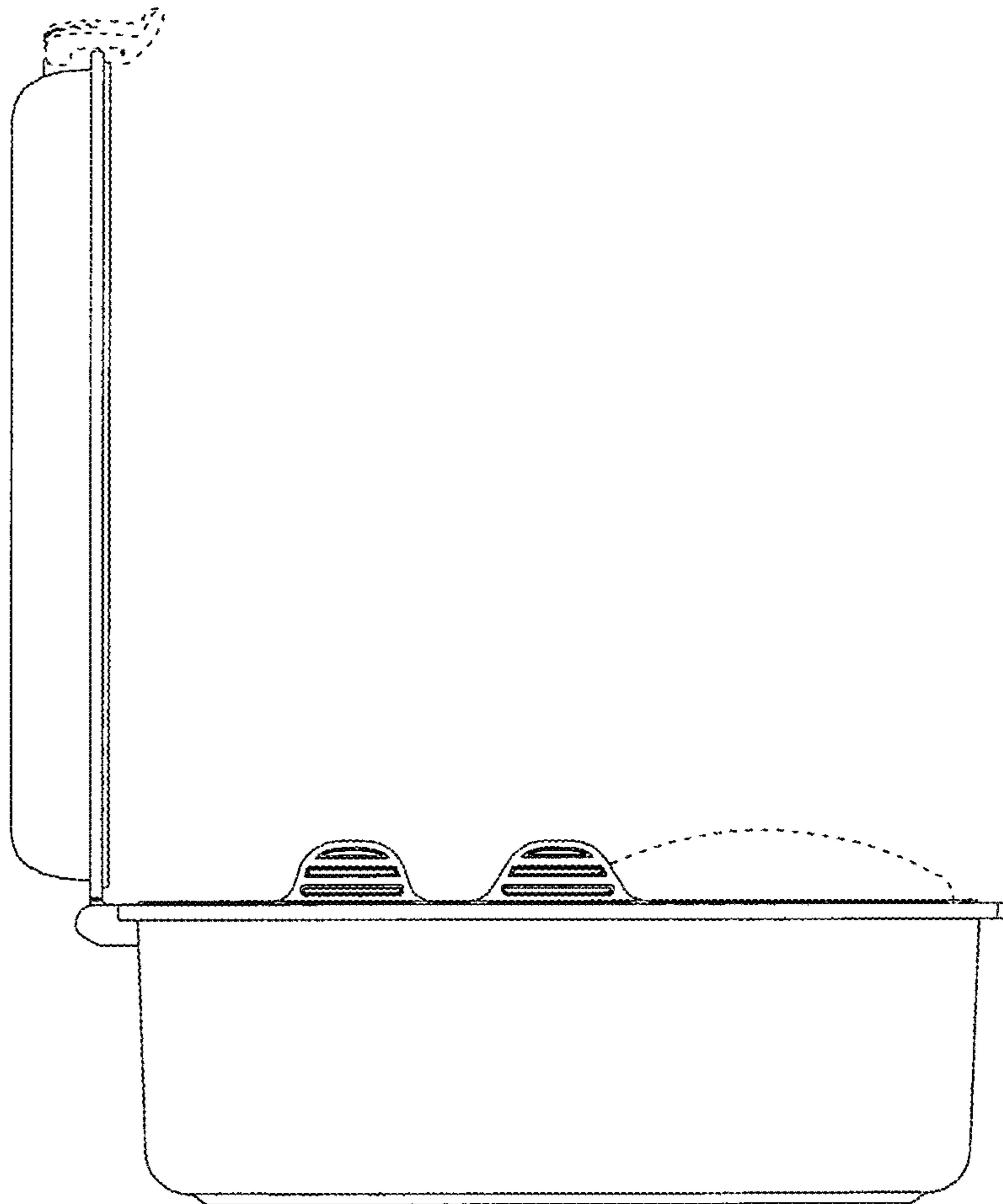


FIG. 4

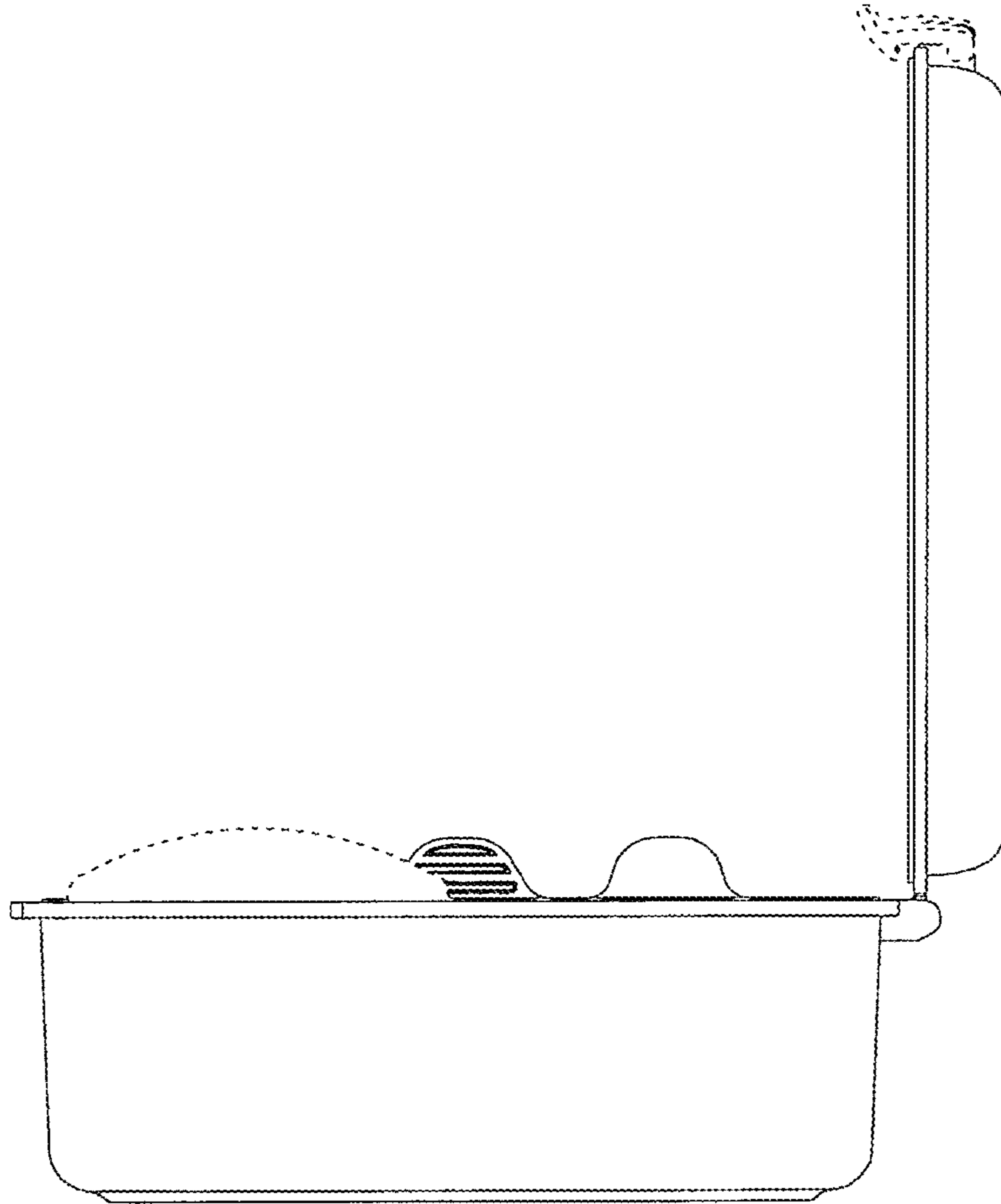


FIG. 5

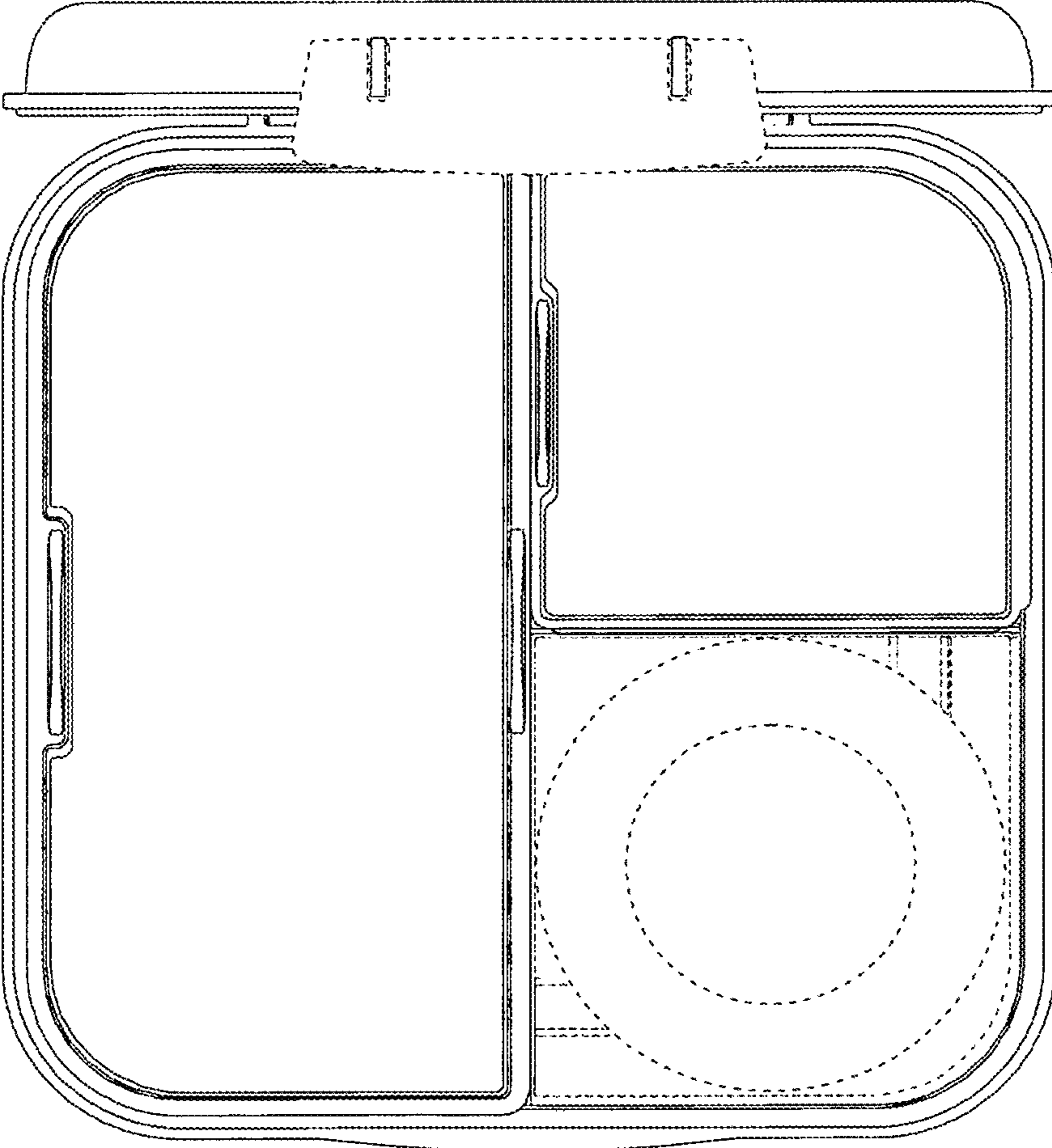


FIG. 6



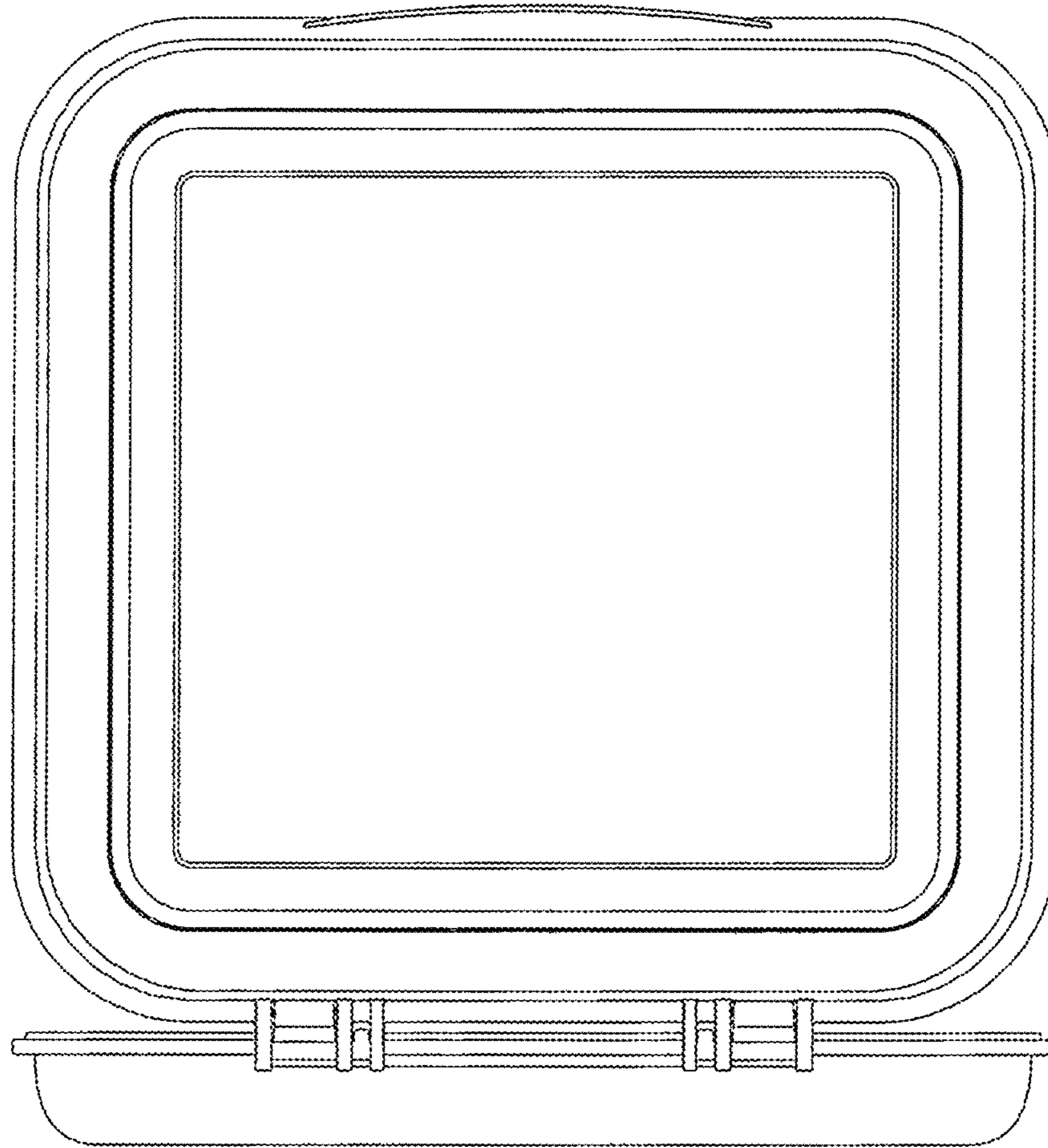


FIG. 7

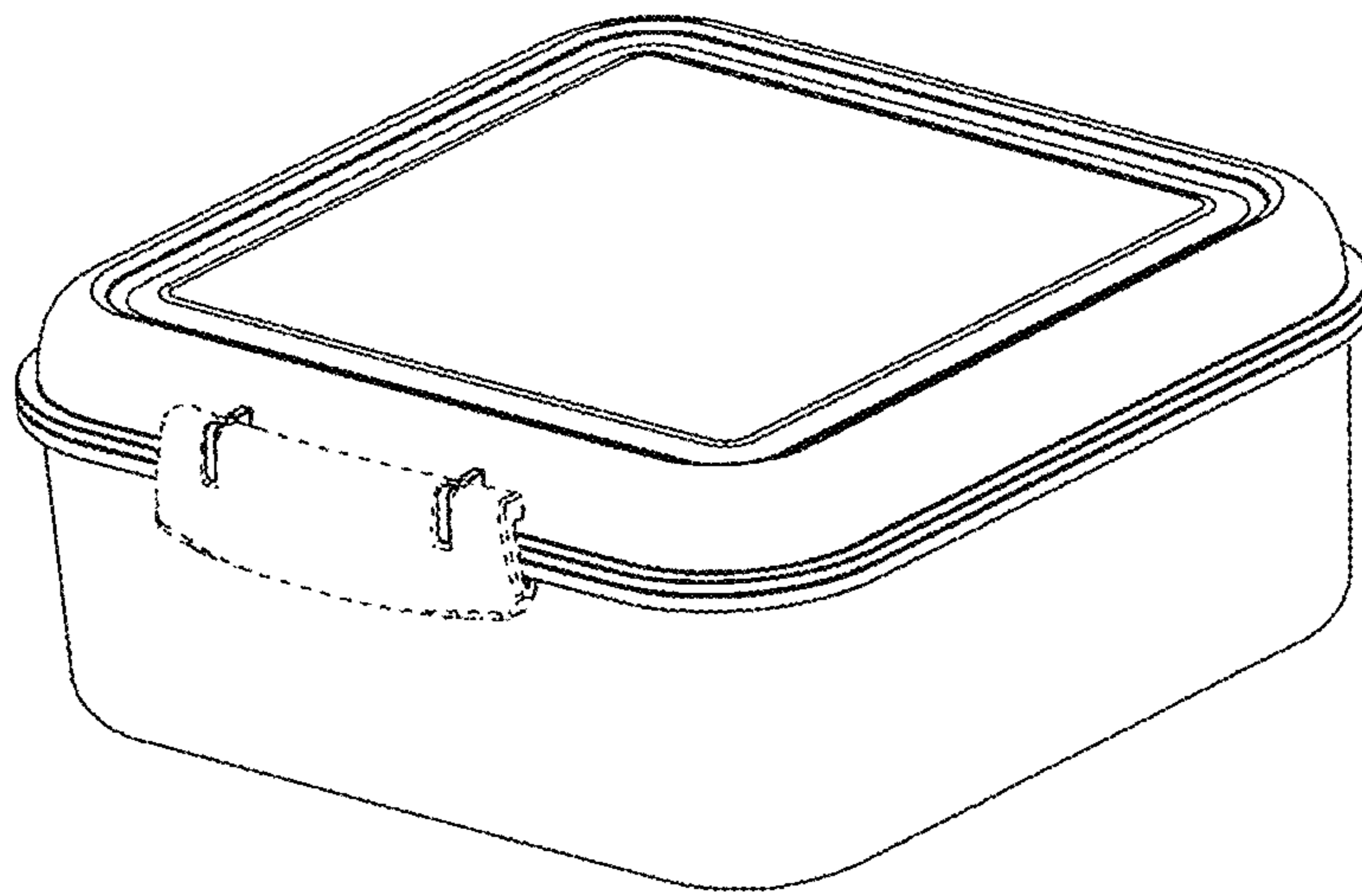


FIG. 8