

US00D874919S

(12) **United States Design Patent**
Choi

(10) **Patent No.:** **US D874,919 S**

(45) **Date of Patent:** **** Feb. 11, 2020**

(54) **PACKAGING FOLDER**

(71) Applicant: **JC KOREA CORP.**, Gyeonggi-do (KR)

(72) Inventor: **Kyoung Sik Choi**, Gyeonggi-do (KR)

(73) Assignee: **JC KOREA CORP.**, Gyeonggi-Do (KR)

(**) Term: **15 Years**

(21) Appl. No.: **29/655,272**

(22) Filed: **Jul. 2, 2018**

(30) **Foreign Application Priority Data**

May 25, 2018 (KR) 30-2018-0024233

(51) **LOC (12) Cl.** **09-03**

(52) **U.S. Cl.**
USPC **D9/418; D9/432**

(58) **Field of Classification Search**

USPC D9/410, 414, 416, 417, 418, 420, 421, D9/423, 430-433, 456, 457, 600, 652, D9/667, 711, 713, 730-733, 737, 756, D9/759, 760; D14/489, 490; D3/297; D19/2, 26, 86

CPC . B65D 5/00; B65D 5/001; B65D 5/02; B65D 5/13; B65D 5/18; B65D 5/20; B65D 5/38; B65D 5/54

See application file for complete search history.

(56) **References Cited**

U.S. PATENT DOCUMENTS

2,921,673 A * 1/1960 Ryan B65D 5/38
206/459.5

D359,900 S * 7/1995 Hawthorne D9/415

| | | | | |
|--------------|---------|-----------|-------|--------|
| D480,958 S * | 10/2003 | Mazel | | D9/732 |
| D511,465 S * | 11/2005 | Smith | | D9/732 |
| D568,765 S * | 5/2008 | Miles | | D9/737 |
| D622,158 S * | 8/2010 | Proulx | | D9/732 |
| D684,482 S * | 6/2013 | Stevens | | D9/732 |
| D715,634 S * | 10/2014 | Stevens | | D9/414 |
| D758,191 S * | 6/2016 | Tu | | D9/414 |
| D785,250 S * | 4/2017 | O'Donnell | | D28/56 |
| D789,196 S * | 6/2017 | Waters | | D9/432 |

* cited by examiner

Primary Examiner — Vy N Koenig

(74) *Attorney, Agent, or Firm* — Duane Morris LLP; J. Rodman Steele, Jr.; Gregory M. Lefkowitz

(57) **CLAIM**

The ornamental design for a packaging folder, as shown and described.

DESCRIPTION

FIG. 1 shows a perspective view of a packaging folder according to the present design.

FIG. 2 shows a front view of the present design.

FIG. 3 shows a rear view of the present design.

FIG. 4 shows a left side view of the present design.

FIG. 5 shows a right side view of the present design.

FIG. 6 shows a top view of the present design.

FIG. 7 shows a bottom view of the present design.

FIG. 8 shows example of the present design excluded artificial nail stickers; and,

FIG. 9 shows example of the present design included artificial nail stickers.

The broken lines shown represent environmental subject matter only, specifically artificial nail stickers, and form no part of the claimed design.

1 Claim, 5 Drawing Sheets

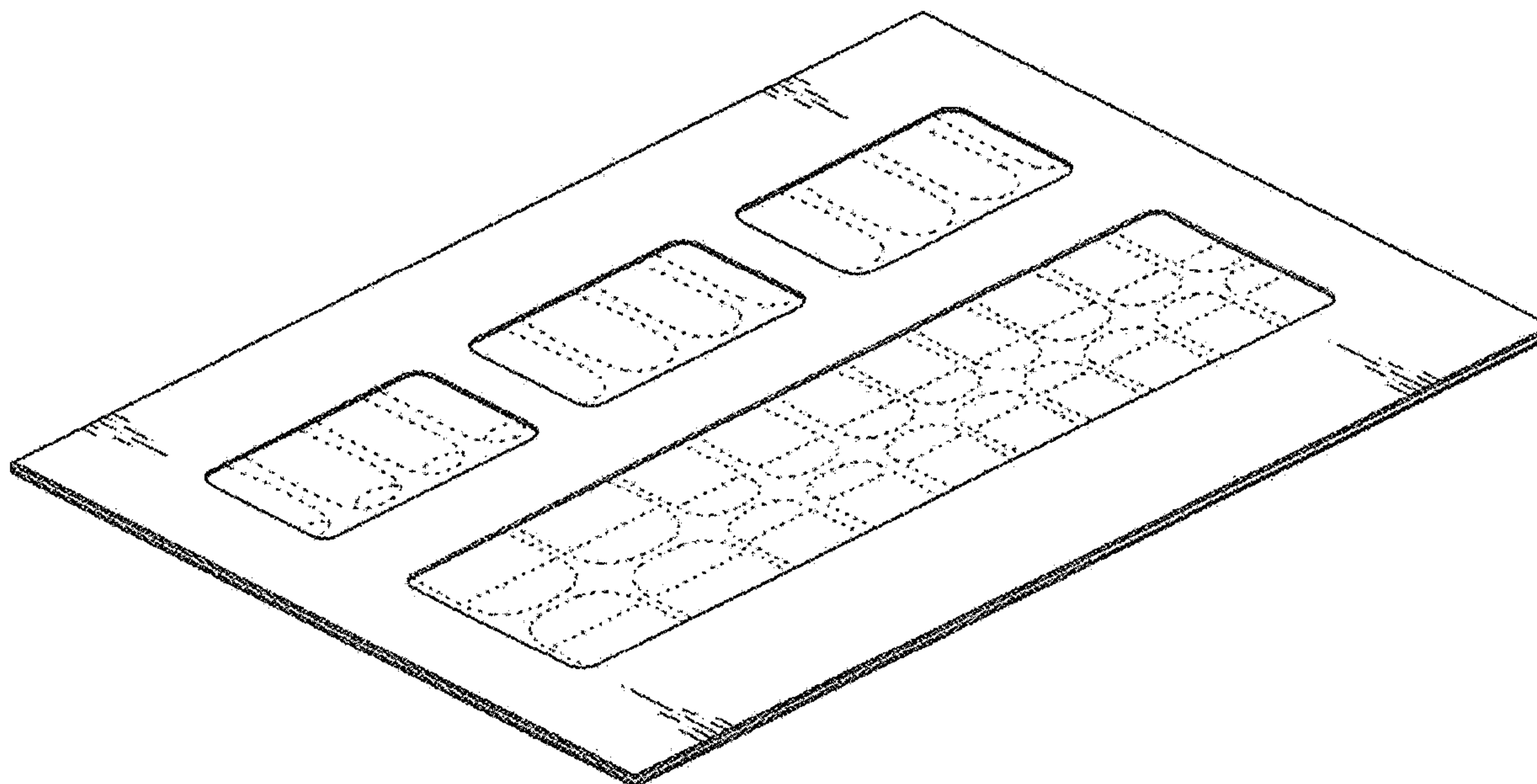


Fig. 1

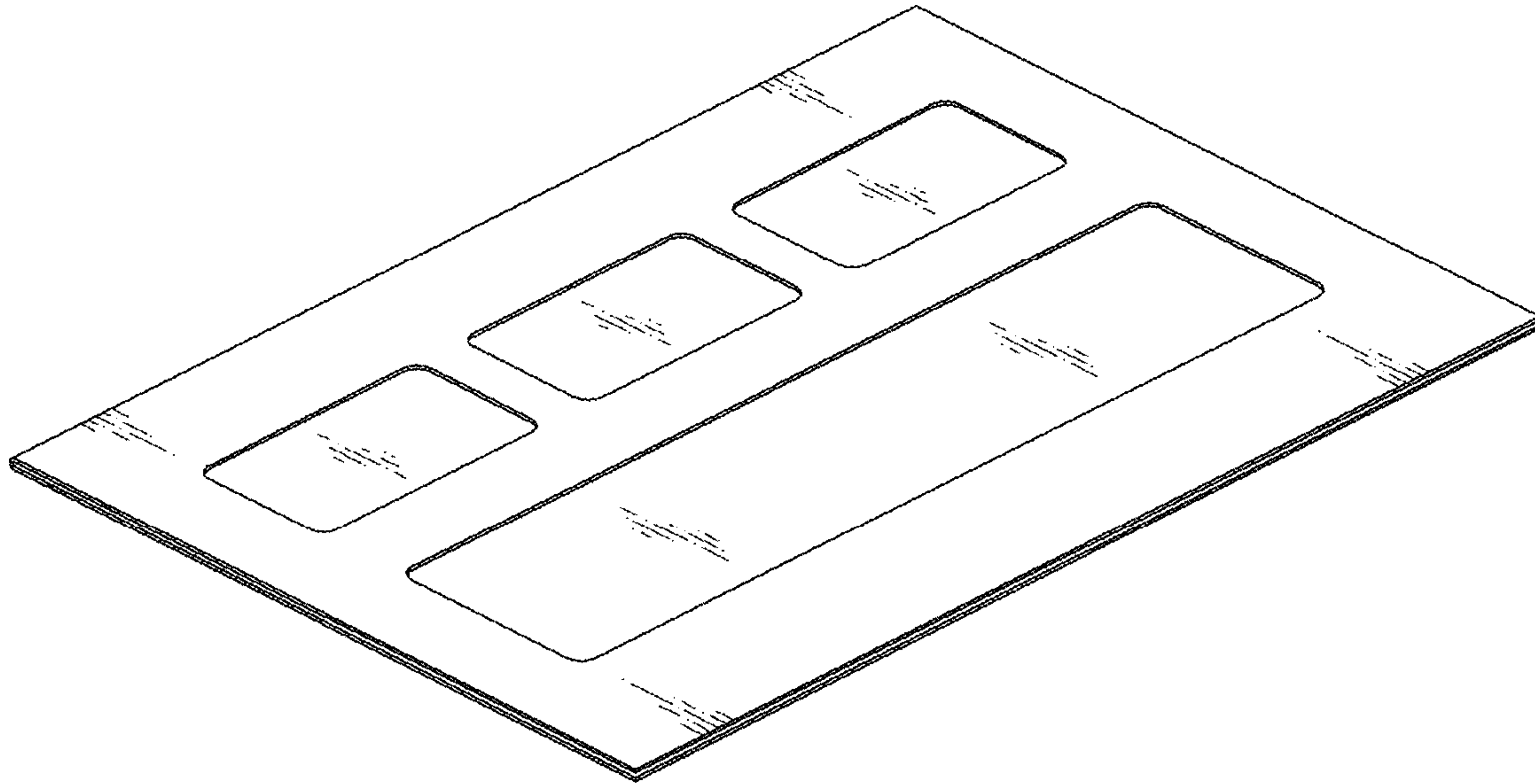


Fig. 2

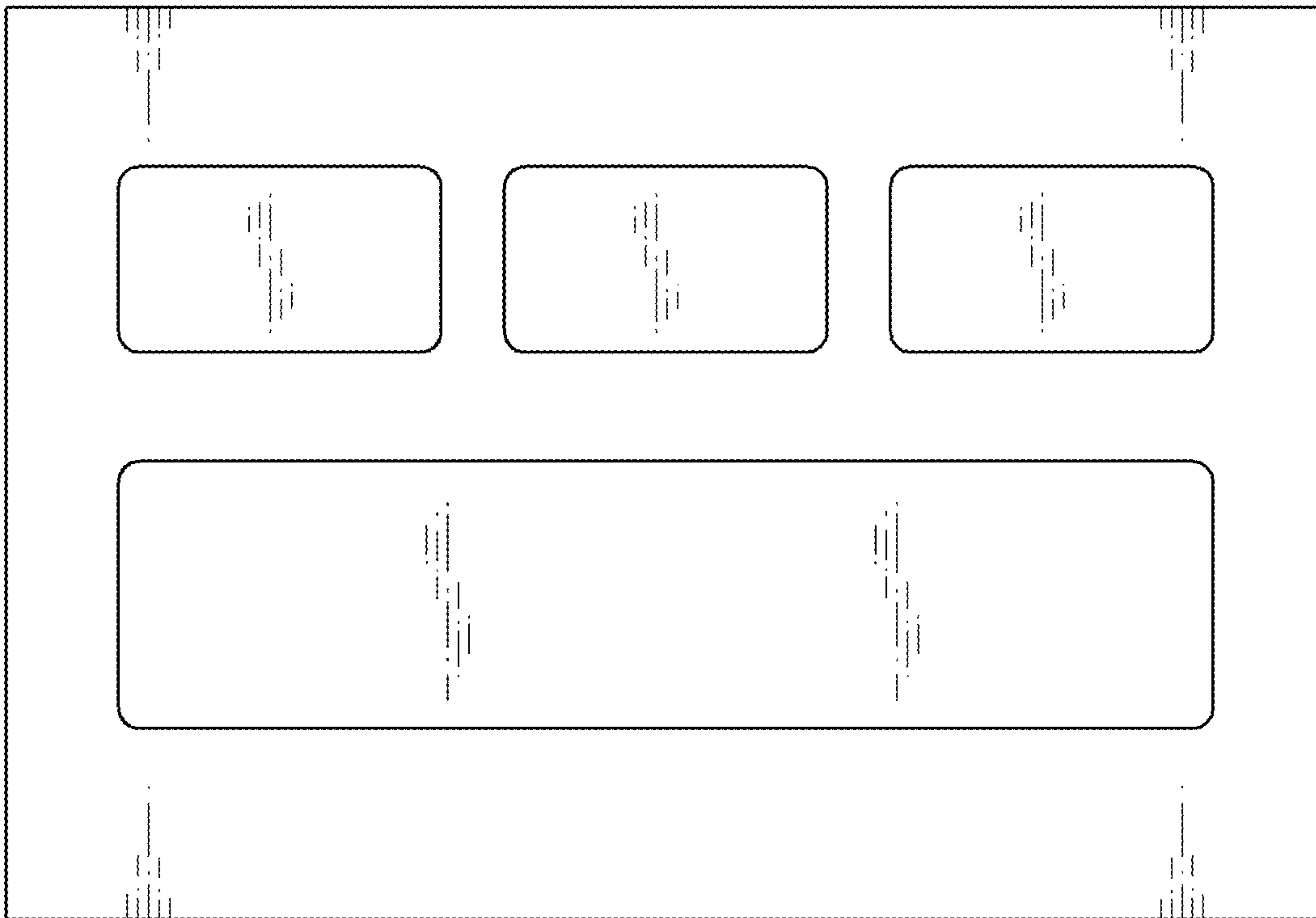


Fig. 3



Fig. 4



Fig. 5



Fig. 6

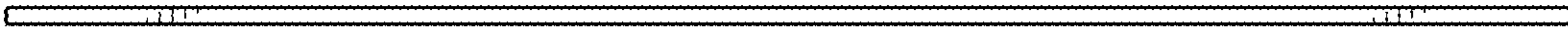


Fig. 7



FIG. 8

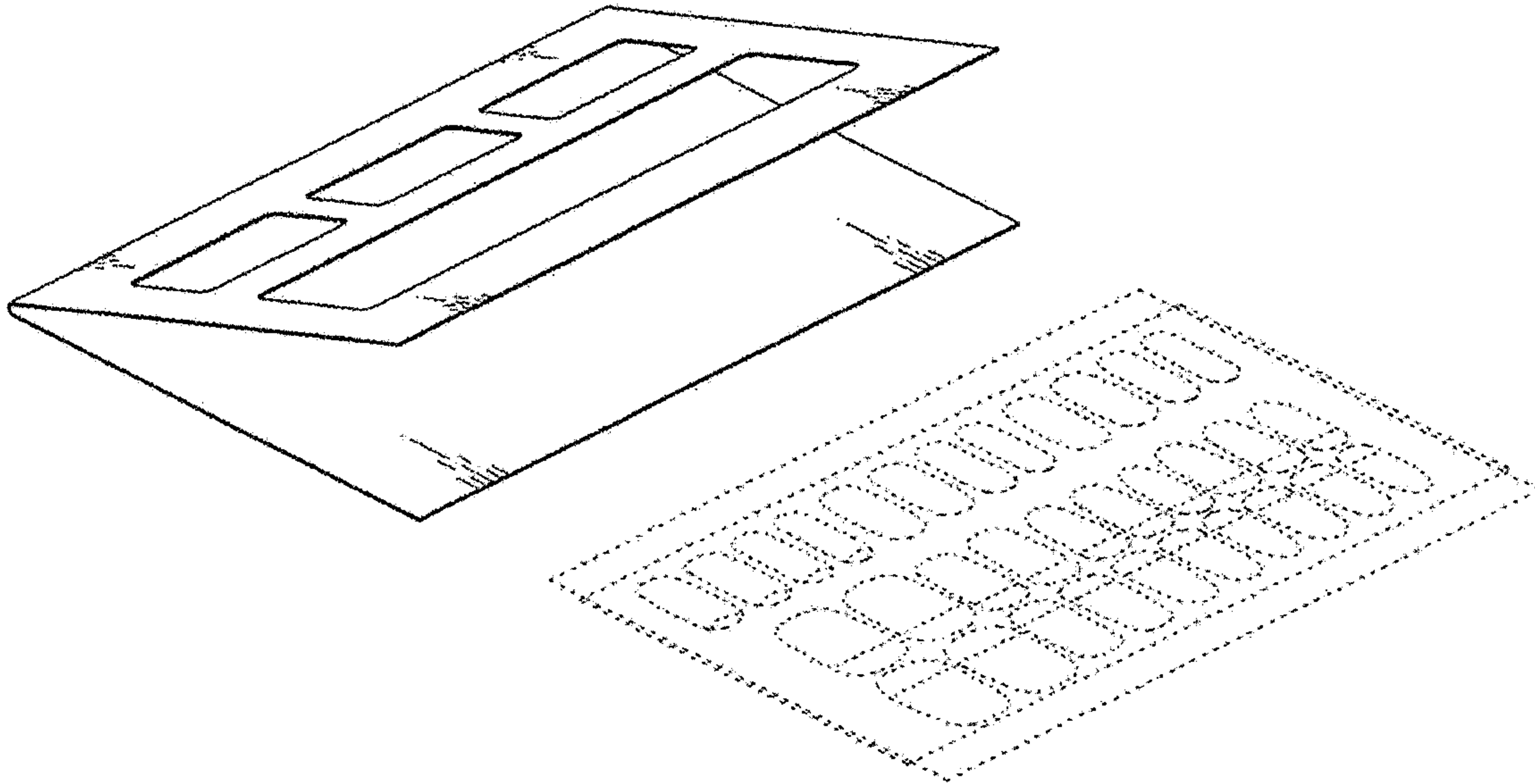


FIG. 9

