



US00D874918S

(12) **United States Design Patent**  
**Lemcke**

(10) **Patent No.:** **US D874,918 S**

(45) **Date of Patent:** **\*\* Feb. 11, 2020**

(54) **CONDIMENT PACKAGE**

(71) Applicant: **Michael A. Lemcke**, Mechanicsville,  
VA (US)

(72) Inventor: **Michael A. Lemcke**, Mechanicsville,  
VA (US)

(\*\*) Term: **15 Years**

(21) Appl. No.: **29/619,050**

(22) Filed: **Sep. 26, 2017**

**Related U.S. Application Data**

(63) Continuation-in-part of application No. 29/576,477,  
filed on Sep. 2, 2016, now Pat. No. Des. 814,312.

(51) **LOC (12) Cl.** ..... **09-03**

(52) **U.S. Cl.**  
USPC ..... **D9/416**

(58) **Field of Classification Search**  
USPC ..... D9/414-418, 425, 737, 702, 424, 503,  
D9/429, 428, 772; D7/400

CPC ..... B65D 1/26; B65D 1/30; A23L 29/256  
See application file for complete search history.

(56) **References Cited**

**U.S. PATENT DOCUMENTS**

4,955,528 A	9/1990	Schluckebier	
5,242,071 A	9/1993	Goebel	
5,417,364 A	5/1995	Shaw	
5,429,262 A	7/1995	Sharkey	
5,540,333 A	7/1996	Gonzalez	
5,626,283 A	5/1997	Mellon	
5,630,544 A	5/1997	Shane	
5,720,429 A	2/1998	Cordle	
5,782,376 A *	7/1998	Brauner	..... B65D 1/30 220/669
6,076,700 A	6/2000	Manges	
6,102,208 A	8/2000	Huang	
6,119,930 A	9/2000	Lunstra	
6,123,214 A	9/2000	Goebel	

D440,874 S *	4/2001	Shurtleff	..... D9/425
6,216,946 B1	4/2001	Cai	
6,360,944 B1	3/2002	Gorman	
D587,136 S *	2/2009	Friebe	..... D9/772
D647,398 S *	10/2011	Winkler	..... D9/417
D696,108 S *	12/2013	De Pra	..... D9/416
D713,720 S *	9/2014	De Pra	..... D9/424

(Continued)

**FOREIGN PATENT DOCUMENTS**

WO 2007034466 A1 3/2007

*Primary Examiner* — Rhea Shields

(74) *Attorney, Agent, or Firm* — Patent Law of Virginia,  
PLLC; Brian J. Teague

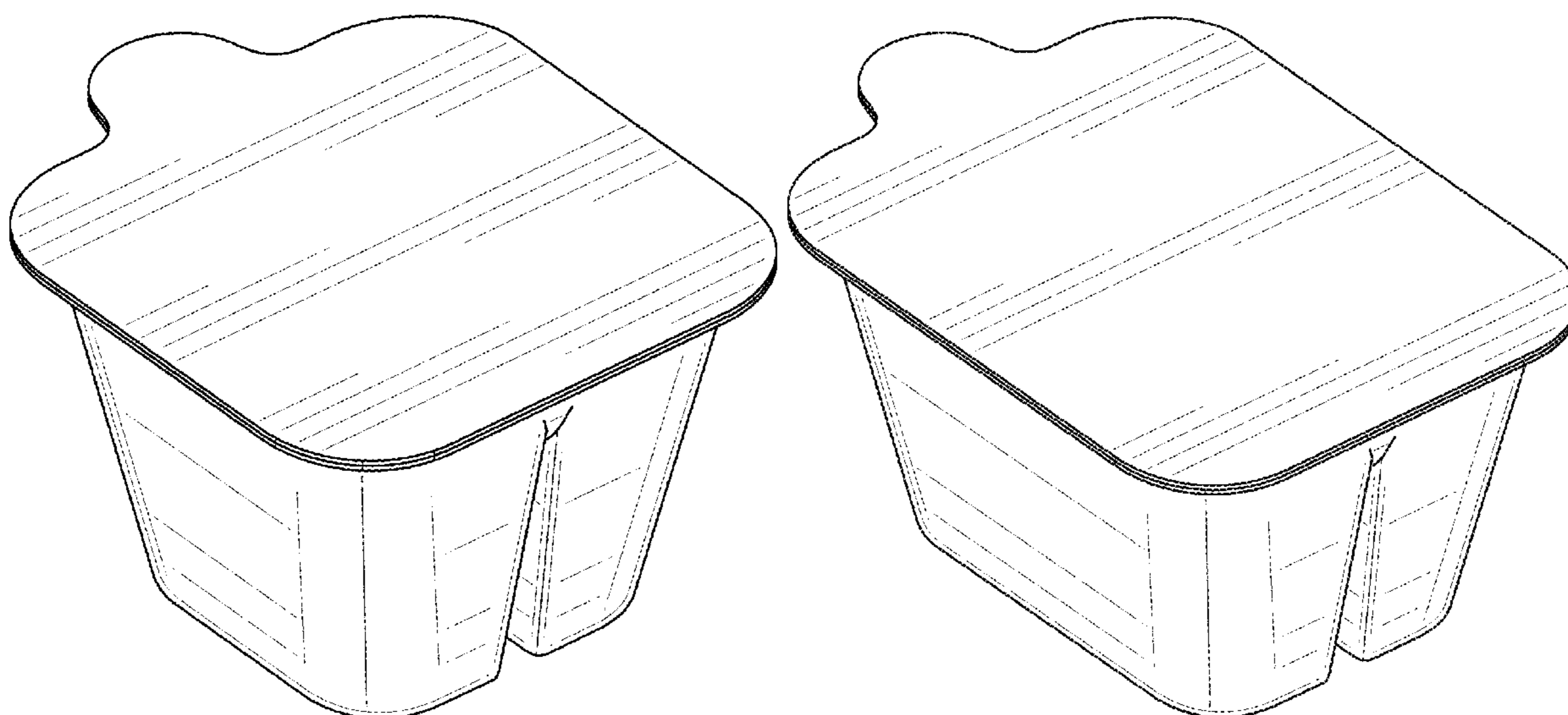
(57) **CLAIM**

I claim the ornamental design for a condiment package, as  
shown and described.

**DESCRIPTION**

FIG. 1 is a top perspective view of a condiment package,  
showing the new design.  
FIG. 2 is a bottom perspective view thereof.  
FIG. 3 is a right side view thereof.  
FIG. 4 is a left side view thereof.  
FIG. 5 is a rear view thereof.  
FIG. 6 is a front view thereof.  
FIG. 7 is a top view thereof.  
FIG. 8 is a bottom view thereof.  
FIG. 9 is a perspective view of an alternative embodiment of  
a condiment package.  
FIG. 10 is a bottom perspective view thereof.  
FIG. 11 is a right side view thereof.  
FIG. 12 is a left side view thereof.  
FIG. 13 is a rear view thereof.  
FIG. 14 is a front view thereof.  
FIG. 15 is a top view thereof; and,  
FIG. 16 is a bottom view thereof.

**1 Claim, 8 Drawing Sheets**



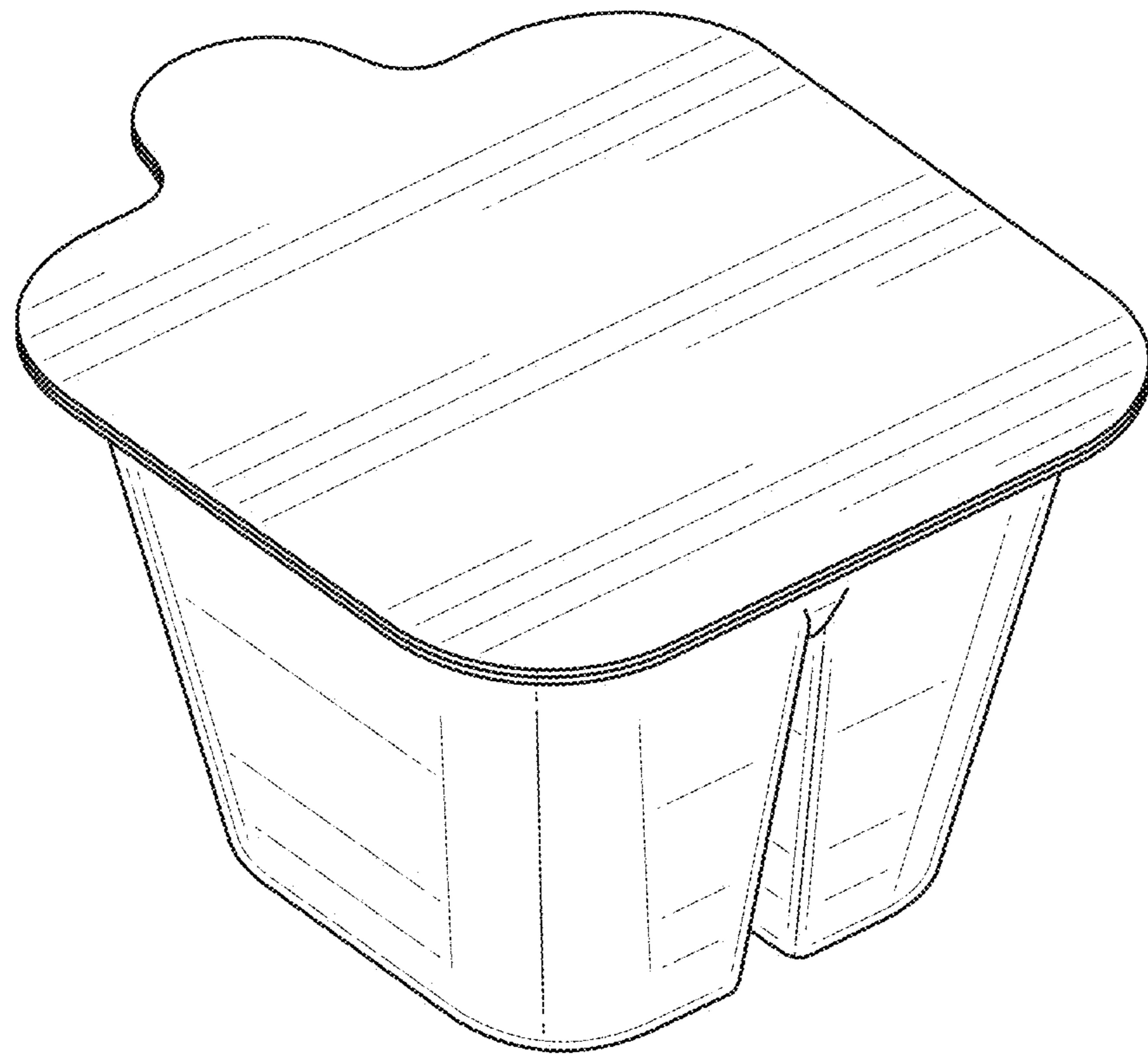
(56)

**References Cited**

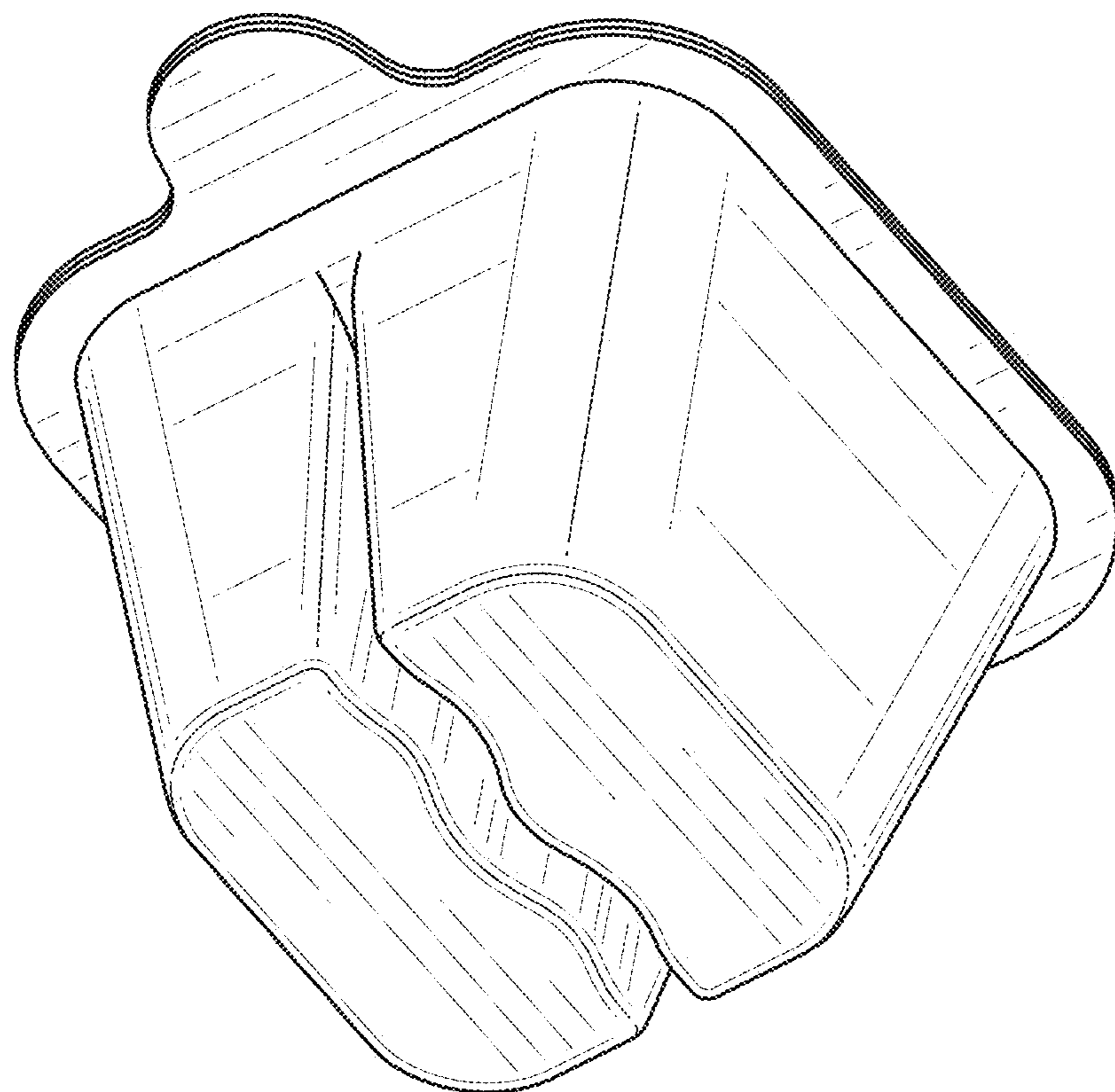
U.S. PATENT DOCUMENTS

8,881,936	B2 *	11/2014	Crosby	.....	B65D 1/26 220/669
D739,227	S *	9/2015	Mitchell	.....	D9/416
D740,115	S *	10/2015	Kervazo	.....	D9/425
D742,217	S *	11/2015	Bouveret	.....	D9/425
D744,827	S *	12/2015	Markoulis	.....	D9/428
D744,828	S *	12/2015	Bushida	.....	D9/429
D745,386	S *	12/2015	Covey	.....	D9/416
D745,825	S *	12/2015	Bushida	.....	D9/429
D747,187	S *	1/2016	Cochran	.....	D9/416
D756,771	S *	5/2016	Covey	.....	D7/400
D814,312	S *	4/2018	Lemcke	.....	D9/702
D818,819	S *	5/2018	Buck	.....	D9/416
D821,864	S *	7/2018	Block	.....	D9/416
D823,698	S *	7/2018	Orzeck	.....	D9/737
D823,700	S *	7/2018	Orzeck	.....	D9/737
D826,054	S *	8/2018	Trombetta	.....	D9/503
2011/0129588	A1 *	6/2011	Marini	.....	A23L 29/256 426/575

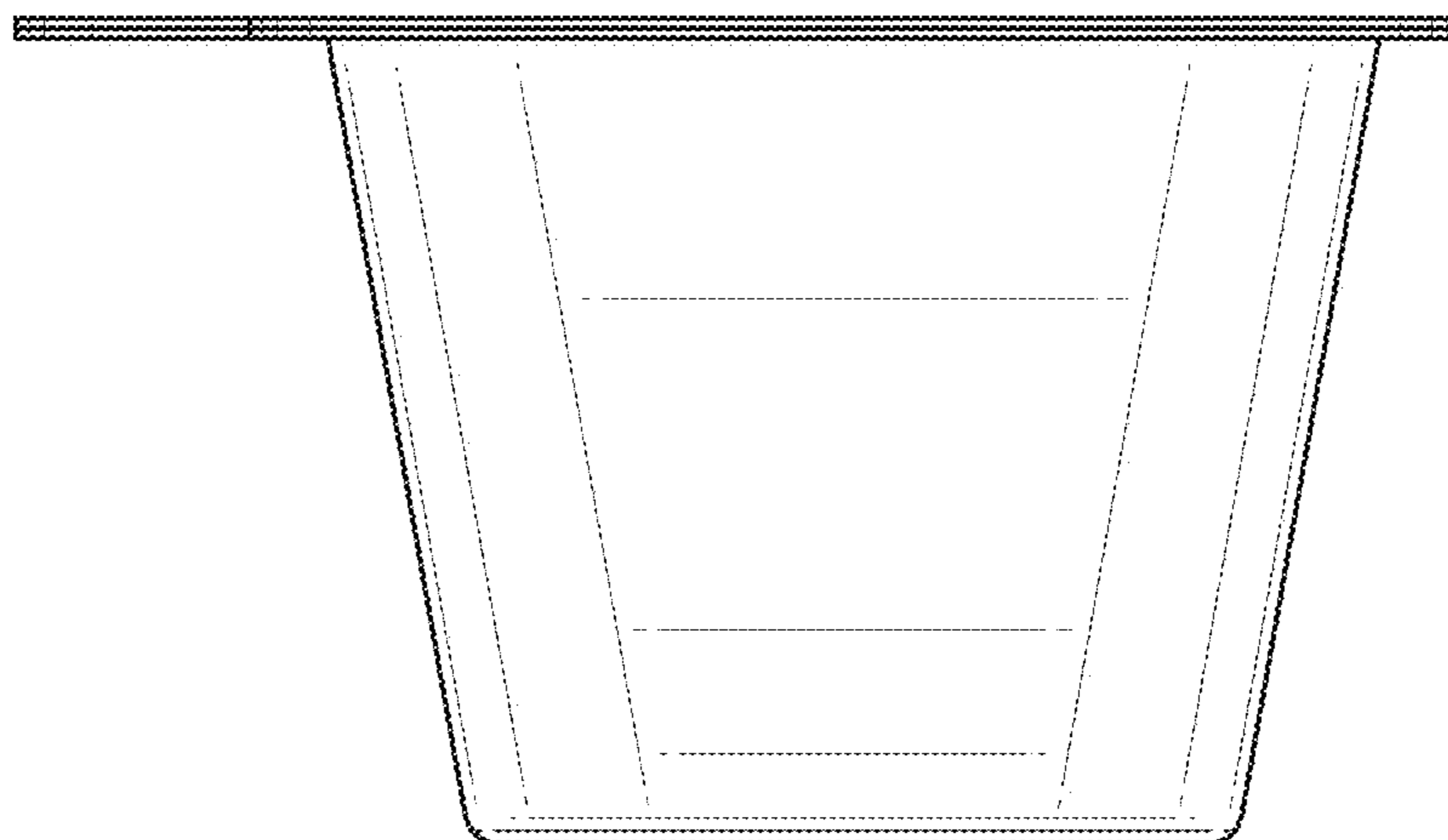
\* cited by examiner



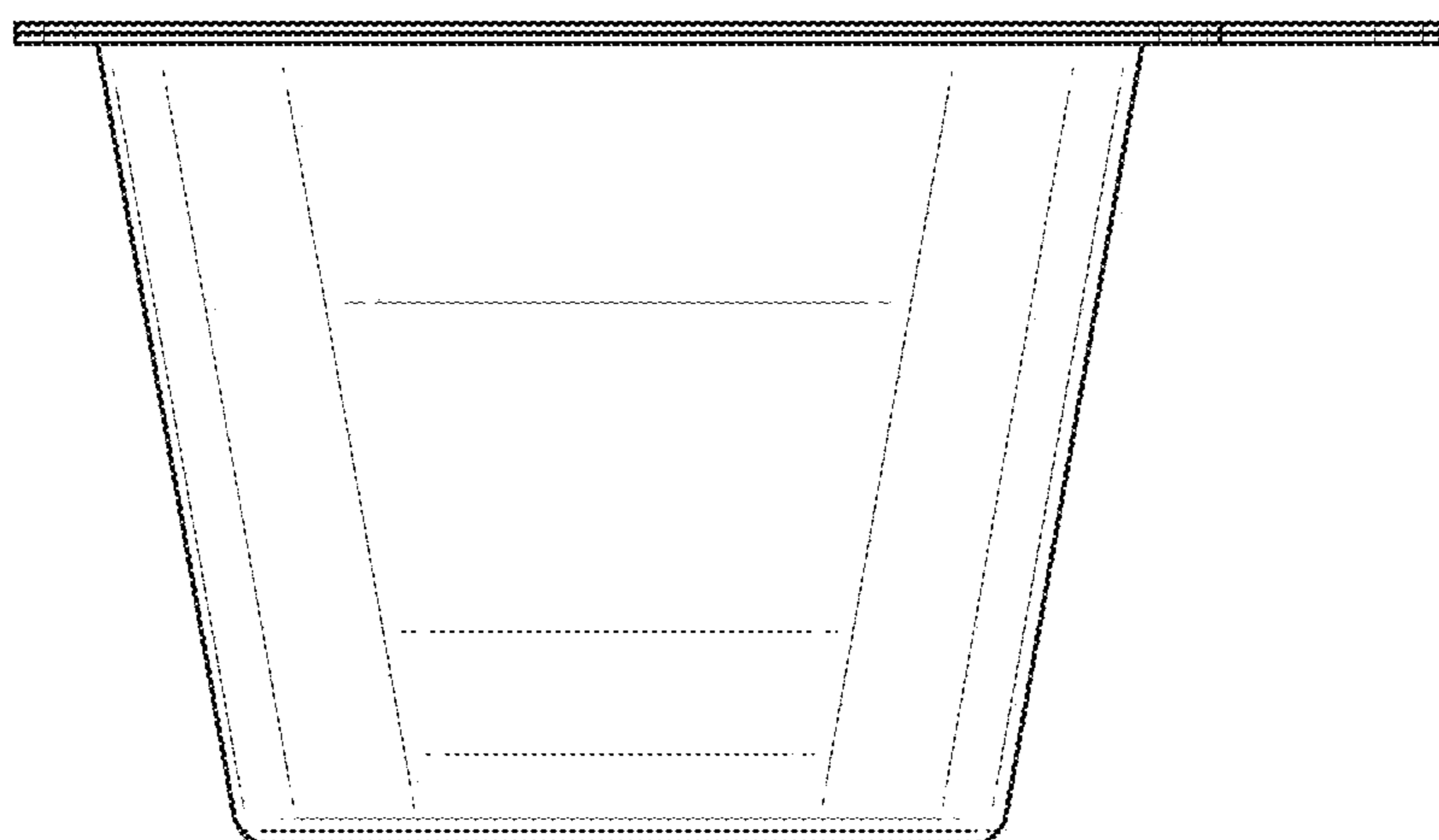
**FIG. 1**



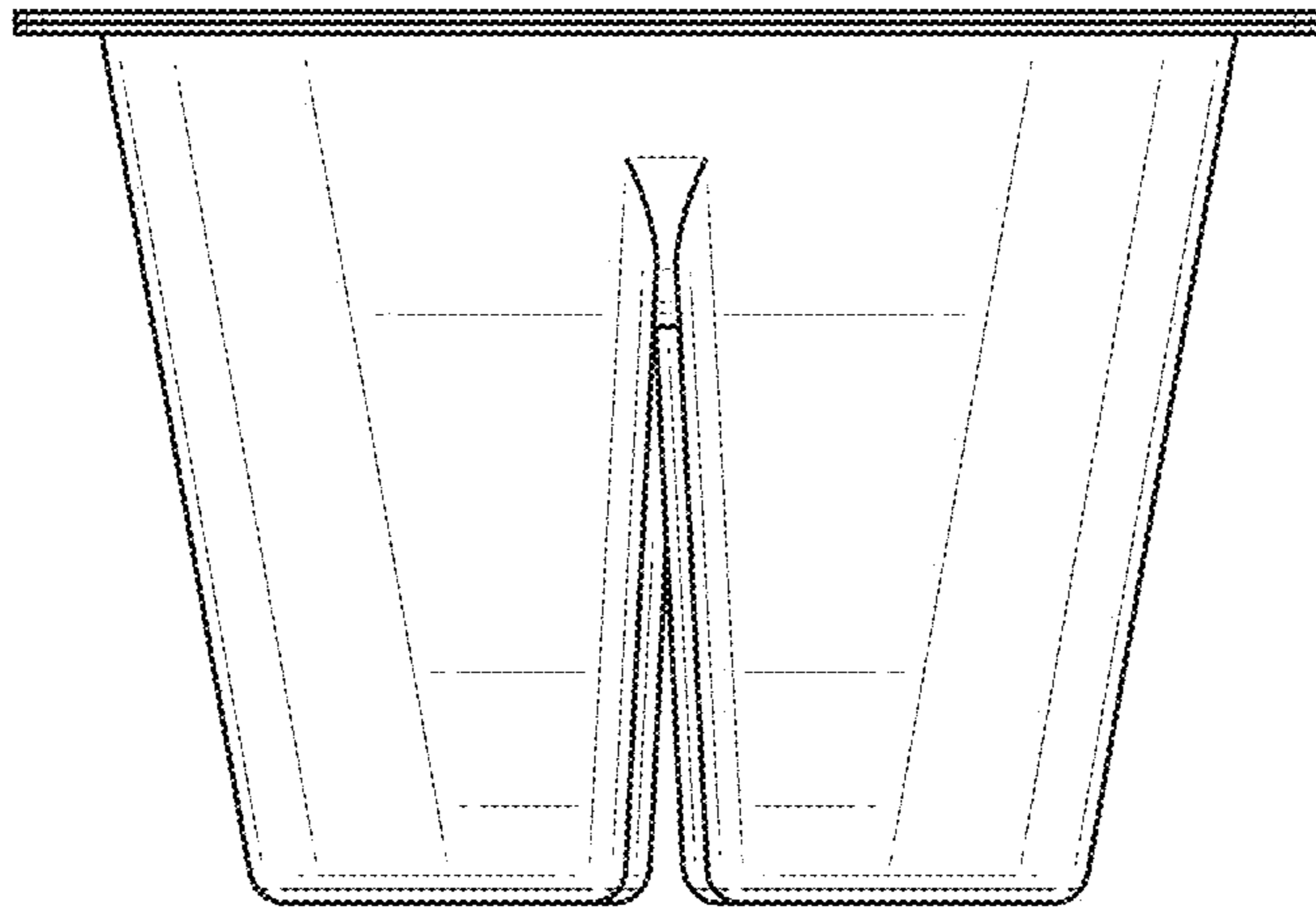
**FIG. 2**



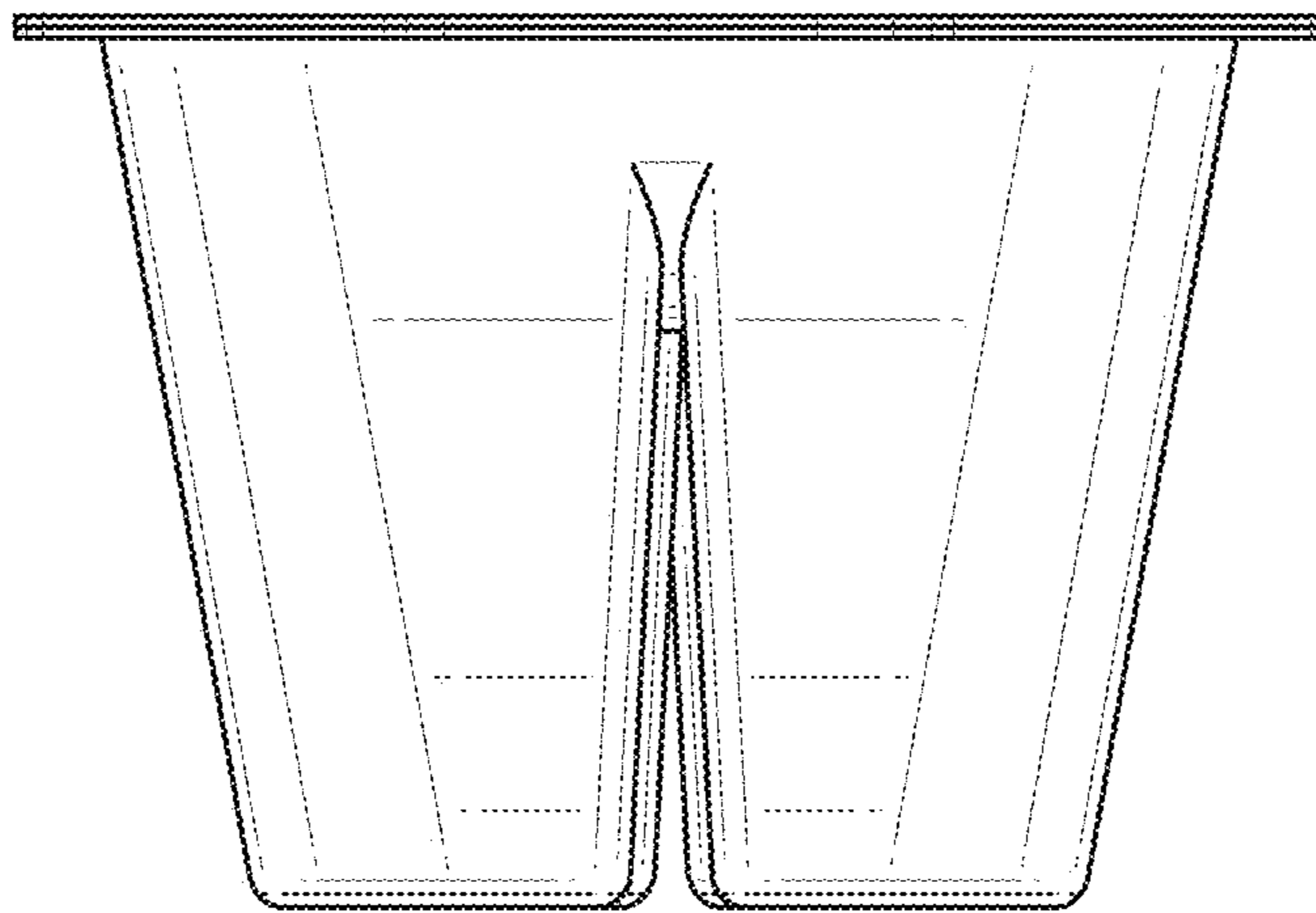
**FIG. 3**



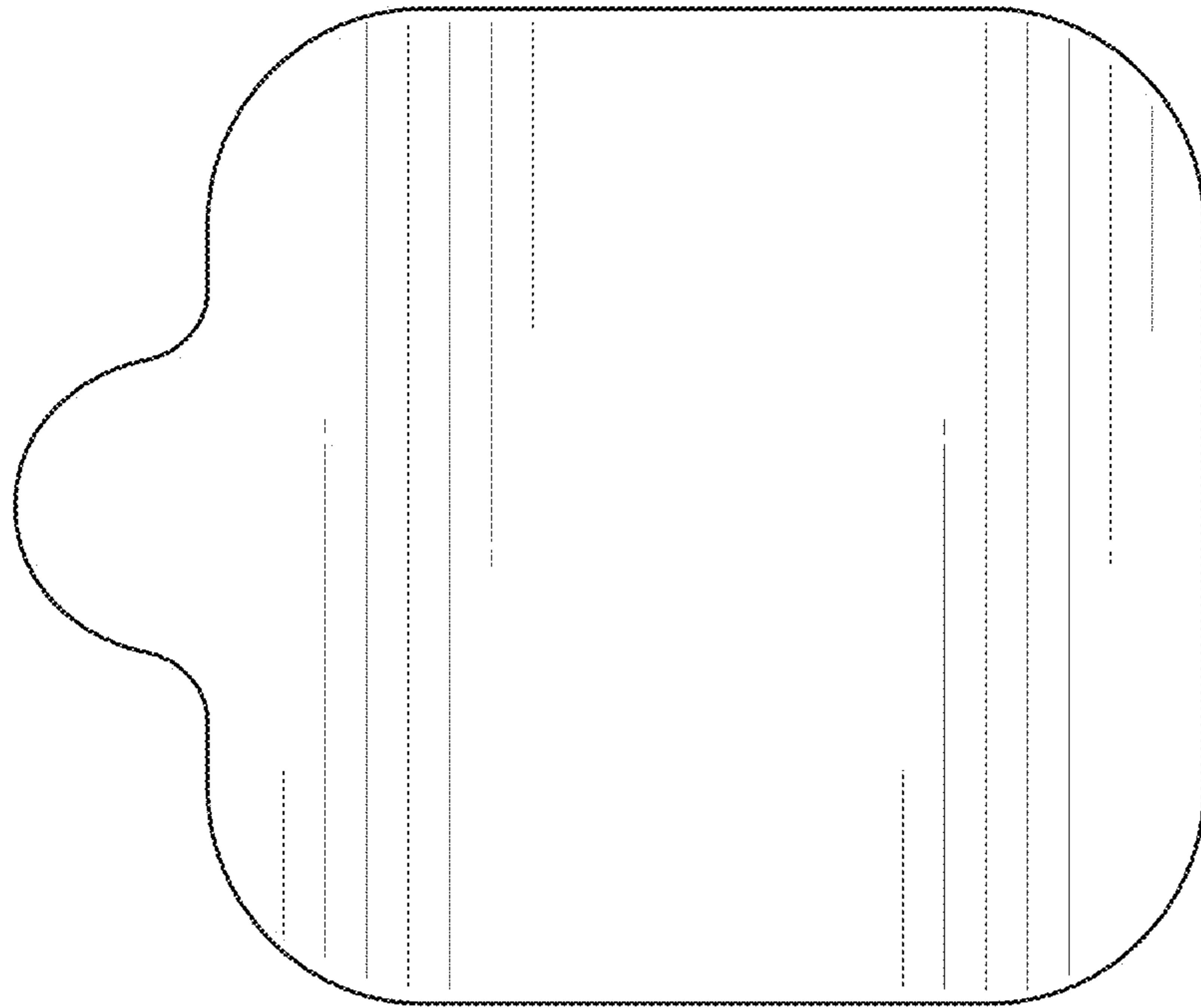
**FIG. 4**



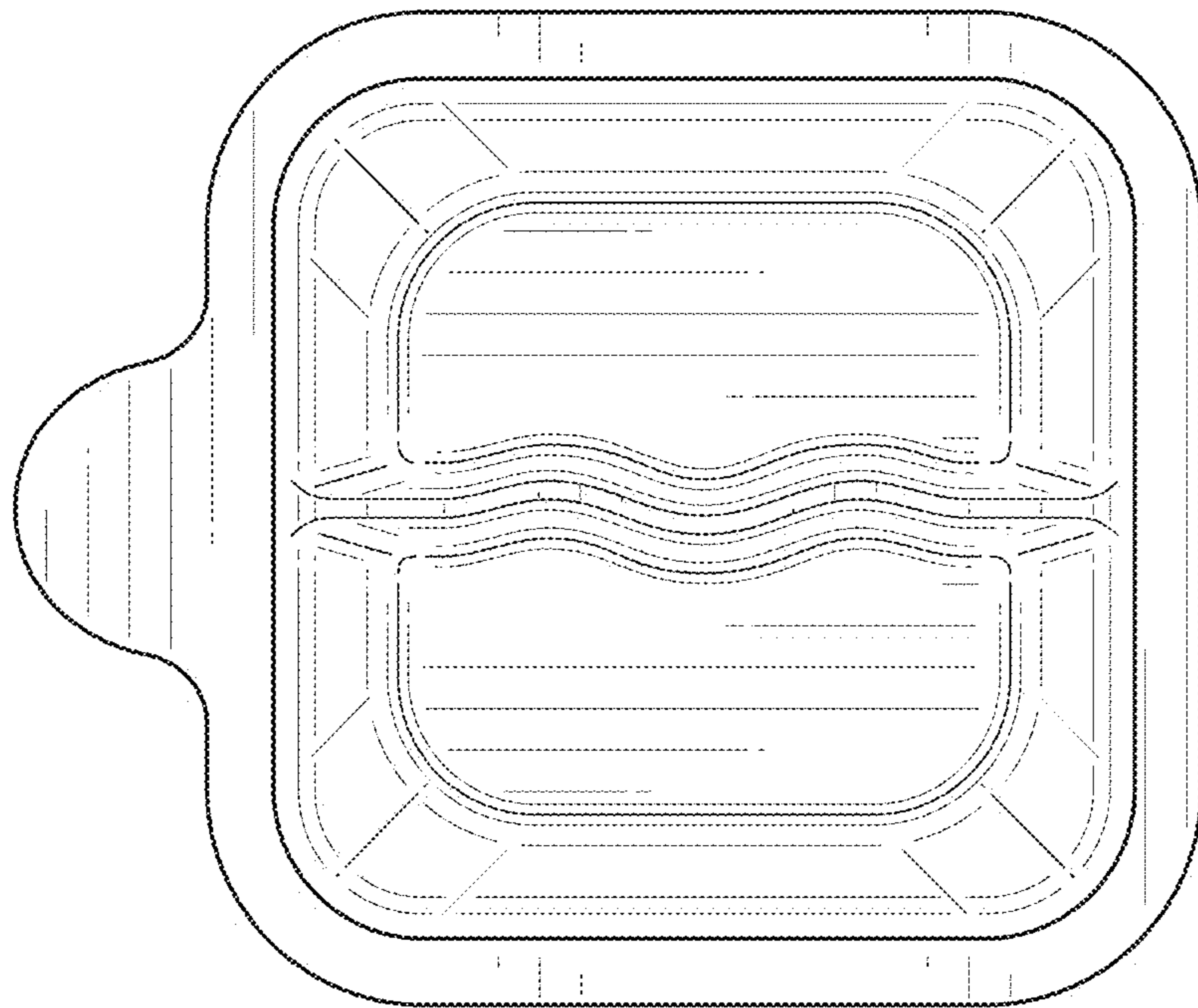
**FIG. 5**



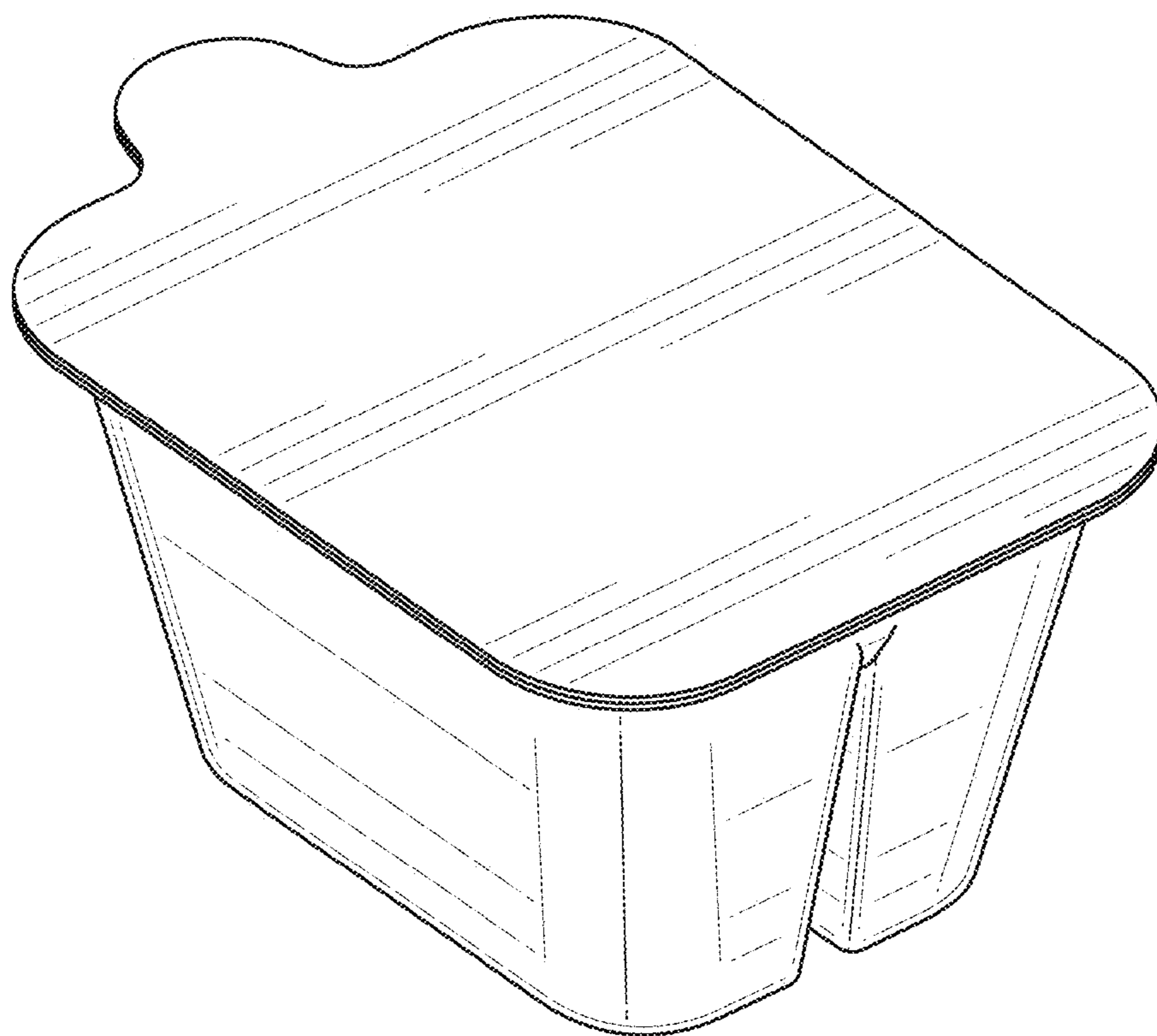
**FIG. 6**



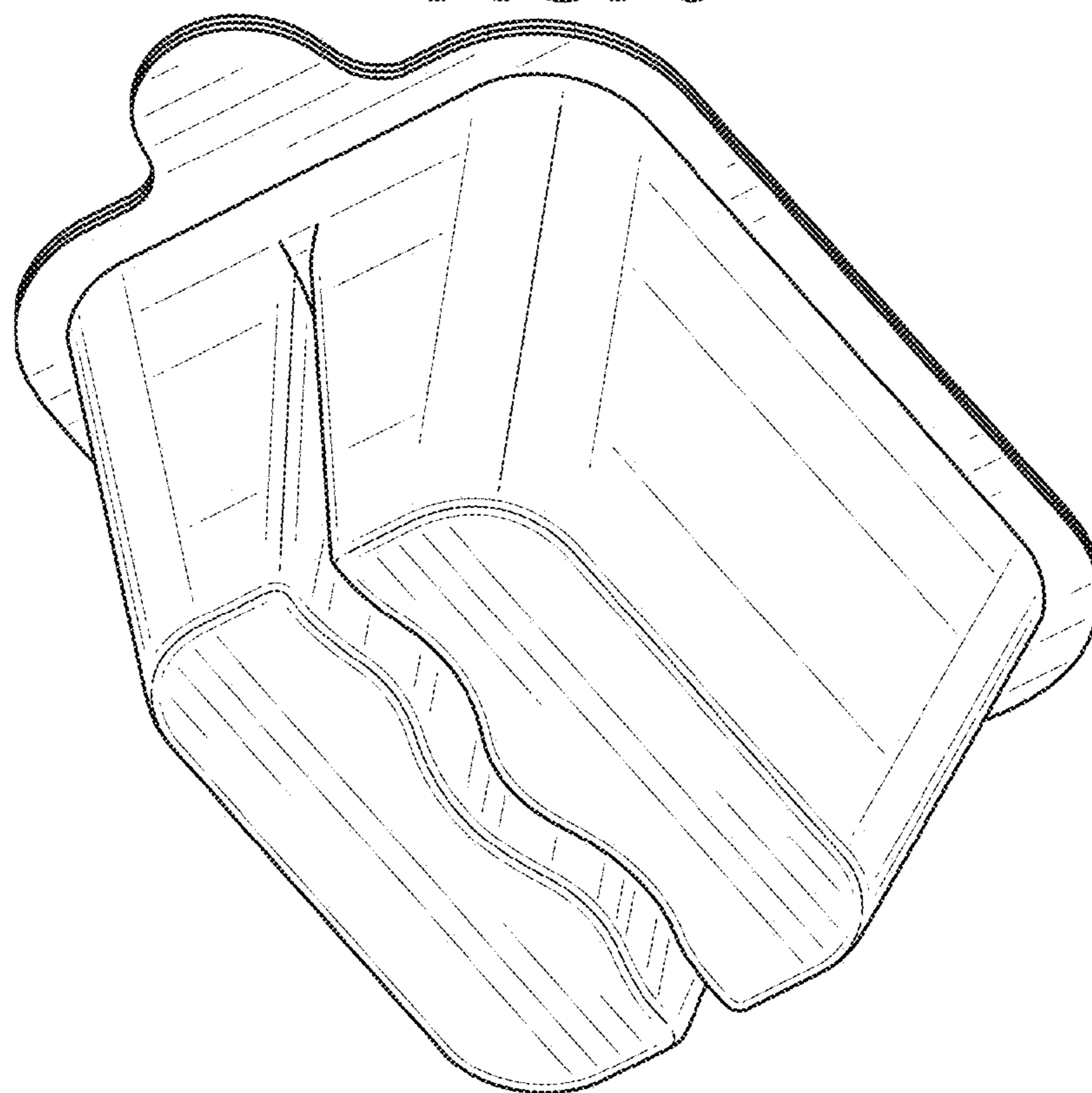
**FIG. 7**



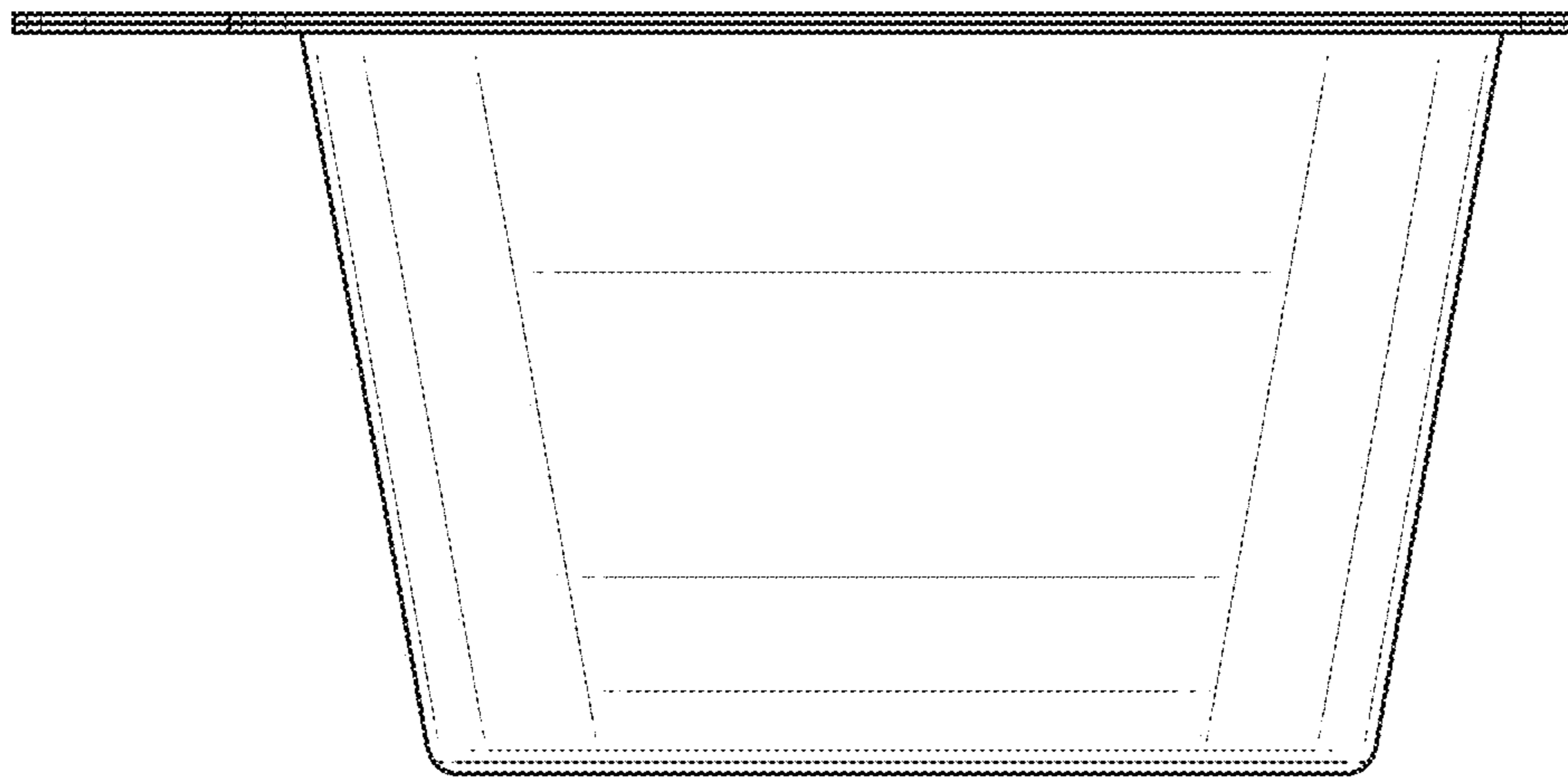
**FIG. 8**



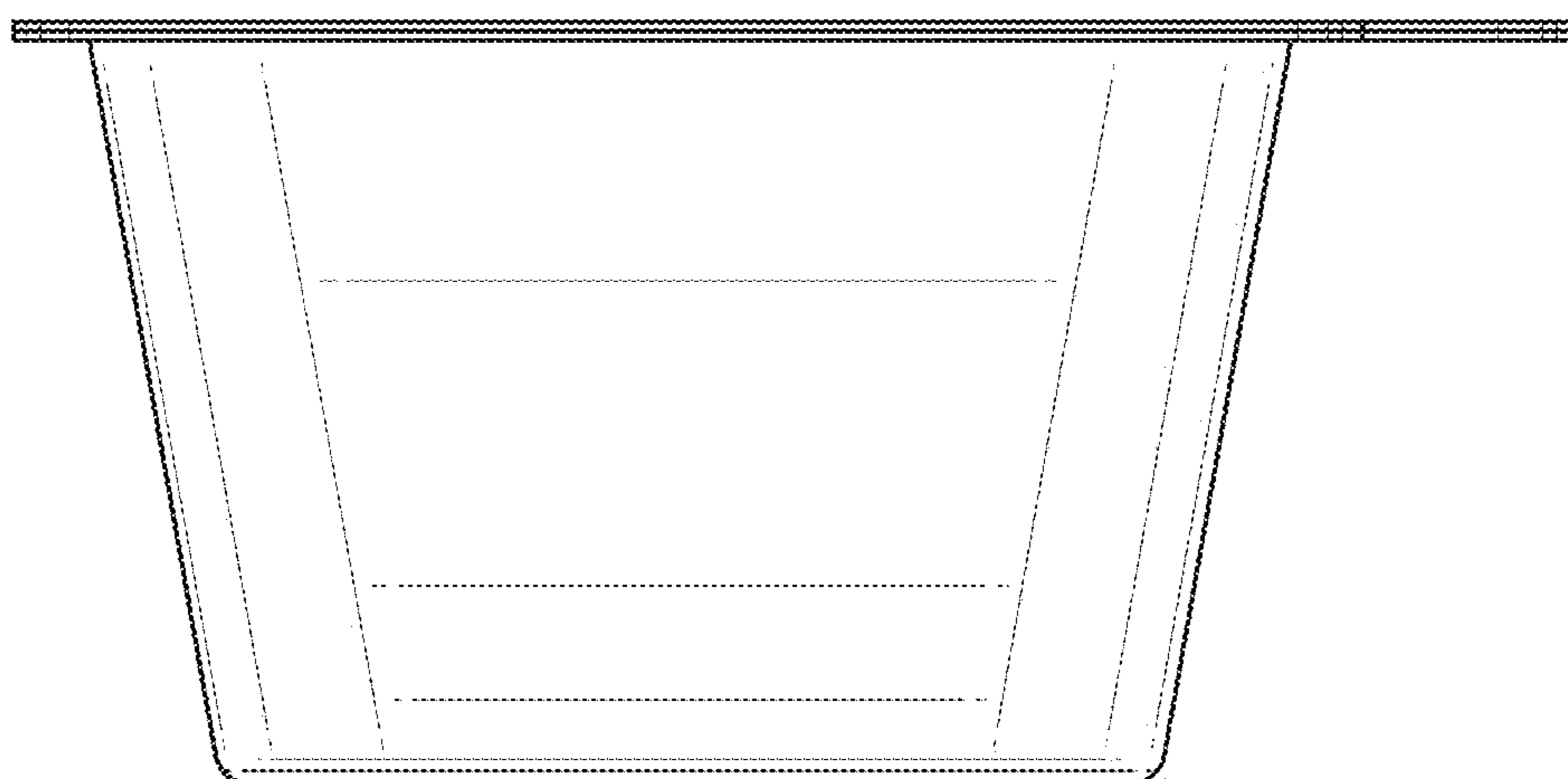
**FIG. 9**



**FIG. 10**

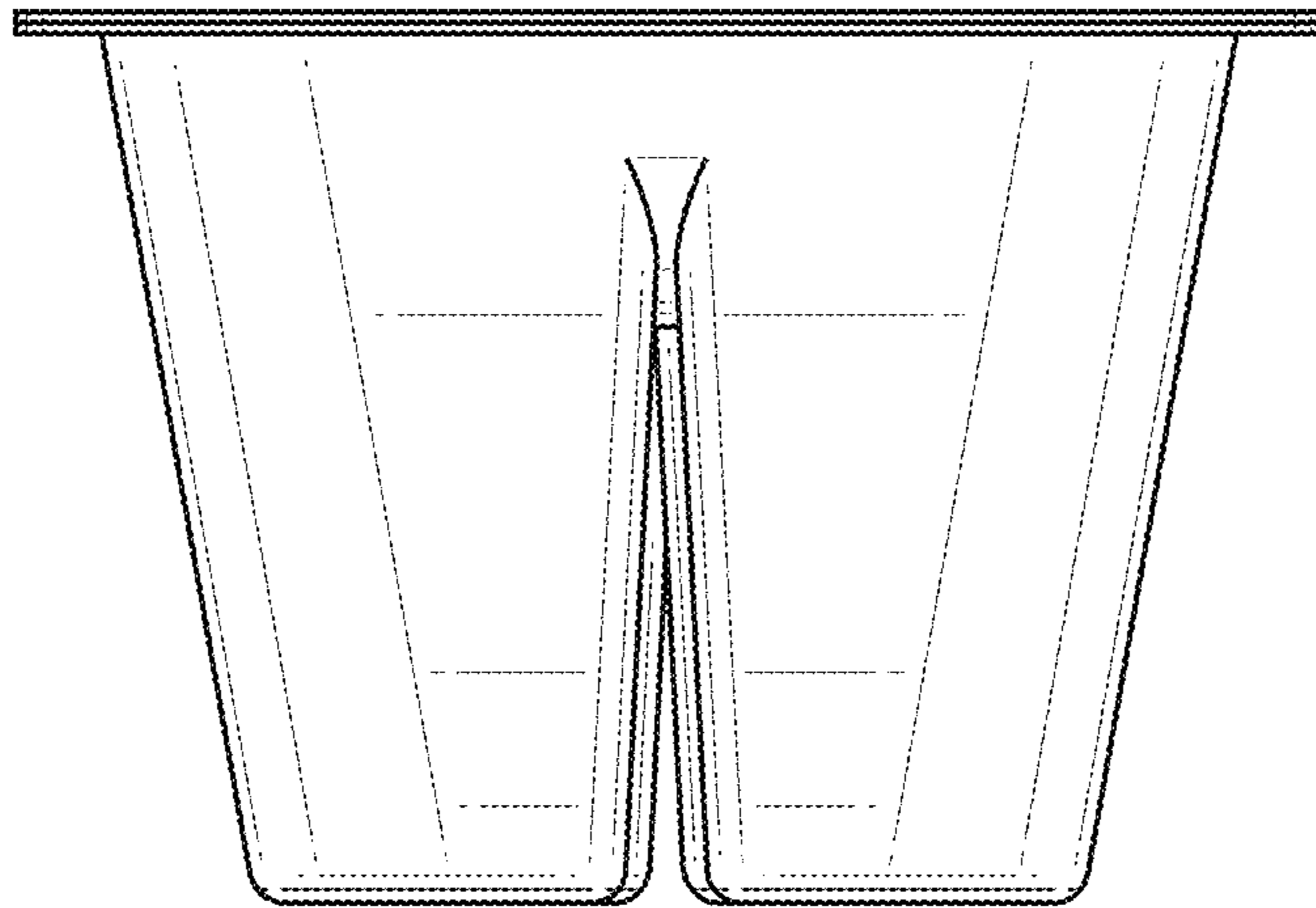


**FIG. 11**

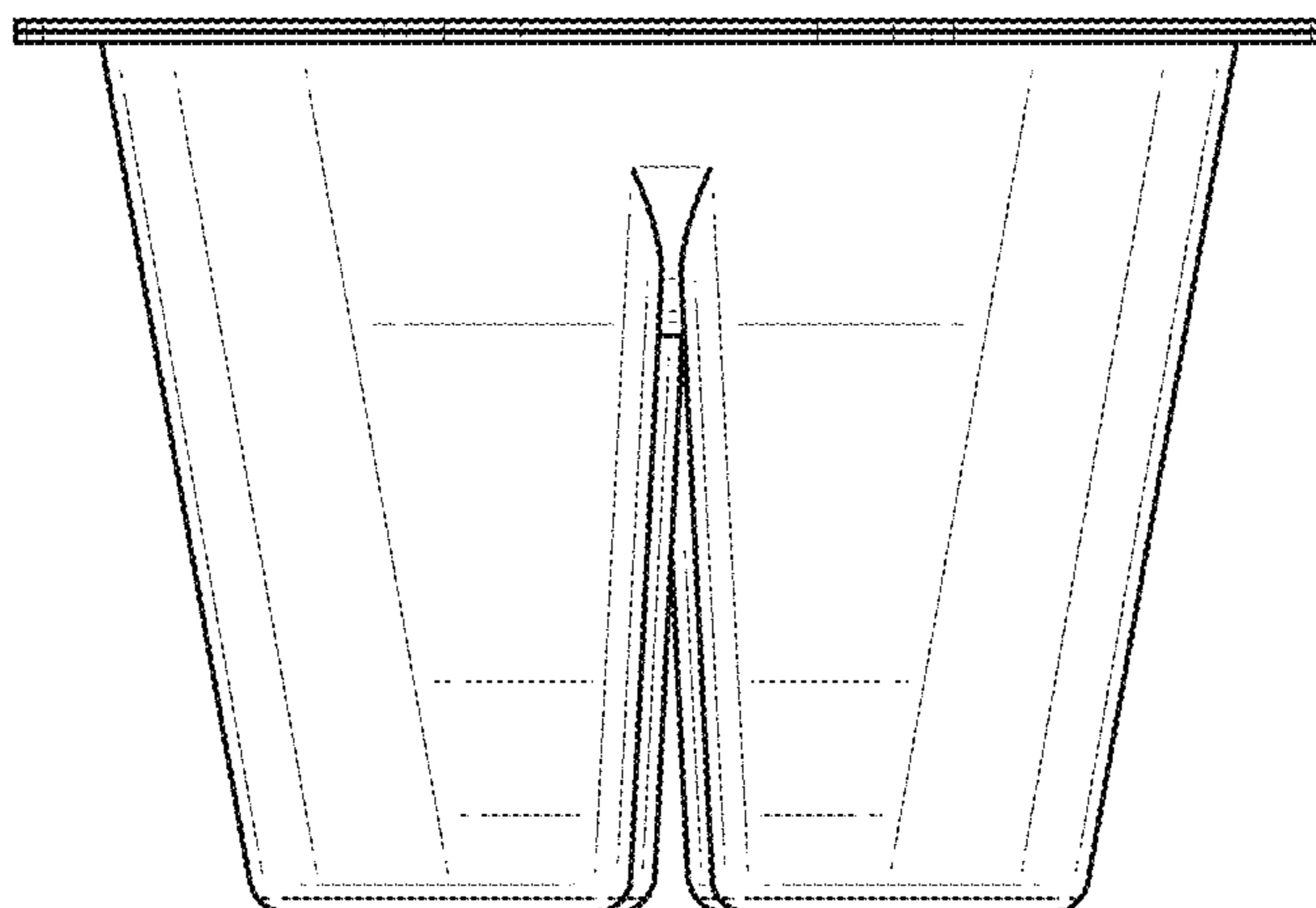


**FIG. 12**

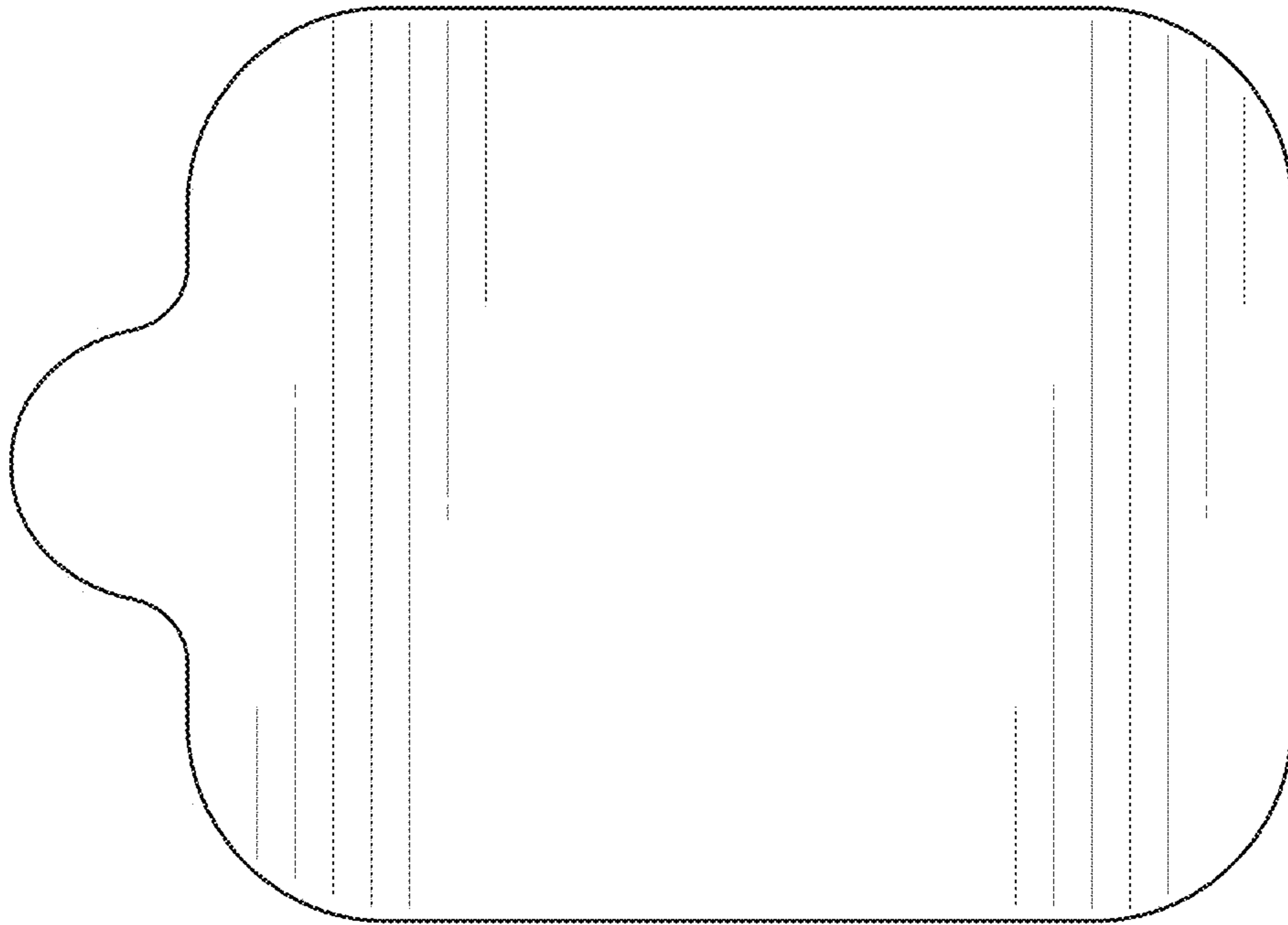




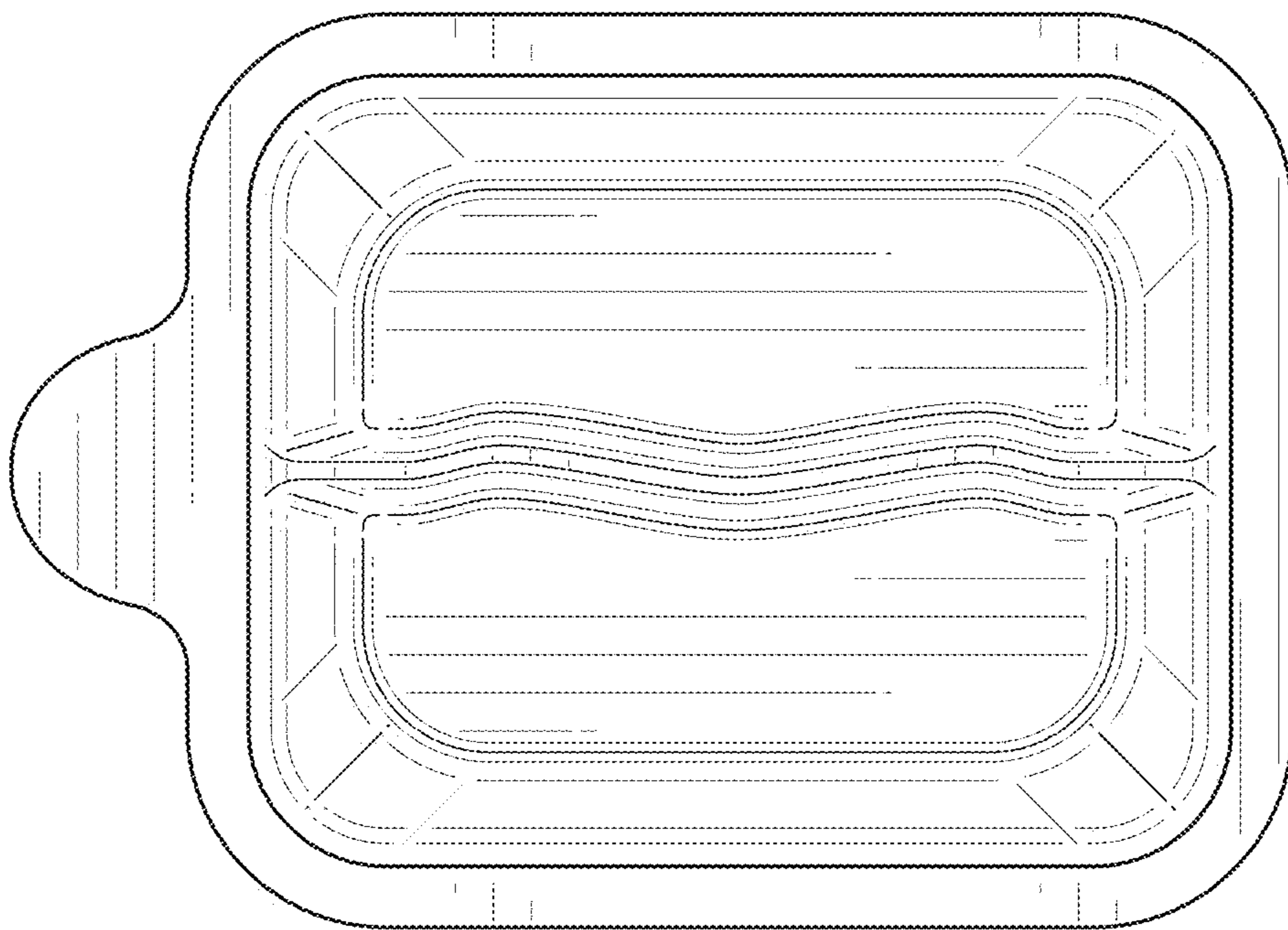
**FIG. 13**



**FIG. 14**



**FIG. 15**



**FIG. 16**