



US00D874914S

(12) **United States Design Patent**
Felt

(10) **Patent No.:** **US D874,914 S**

(45) **Date of Patent:** **** Feb. 11, 2020**

(54) **ENCLOSED GUTTER CLIP**

(71) Applicant: **Russel Williams Home Services LLC**,
Plymouth, MN (US)

(72) Inventor: **David Russel Felt**, Plymouth, MN (US)

(73) Assignee: **Russel Williams Home Services LLC**,
Maple Plain, MN (US)

(**) Term: **15 Years**

(21) Appl. No.: **29/669,221**

(22) Filed: **Nov. 6, 2018**

Related U.S. Application Data

(63) Continuation of application No. 15/067,119, filed on
Mar. 10, 2016, now Pat. No. 10,281,084.

(51) **LOC (12) Cl.** **08-08**

(52) **U.S. Cl.**
USPC **D8/395**; D8/396

(58) **Field of Classification Search**
USPC D8/356, 371, 394-396; D19/65, 56;
D25/58, 121, 122

CPC . E04B 9/067; E04B 9/068; E04B 9/12; E04B
9/18; E04B 9/30; E04B 2009/062; E04C
2003/0413; E04C 2003/0439; E04C
2003/046

See application file for complete search history.

(56) **References Cited**

U.S. PATENT DOCUMENTS

5,083,733 A * 1/1992 Marino B44D 3/123
248/110
6,477,751 B2 * 11/2002 Baumdicker A44B 99/00
24/306

D562,675 S * 2/2008 Cox D8/395
D574,702 S * 8/2008 Stephens D8/395
D600,542 S * 9/2009 Zemel D8/395
D612,120 S * 3/2010 Panfili D32/54
D669,773 S * 10/2012 Colasse D8/395
D671,826 S * 12/2012 Adams, IV D8/395
D675,510 S * 2/2013 Gary D8/395
D737,132 S * 8/2015 Garcia D8/395
D741,161 S * 10/2015 Buresh, II D8/395
D756,764 S * 5/2016 Limber D8/395
D799,314 S * 10/2017 Adams, IV D8/395
D835,316 S * 12/2018 Edgar D26/51
10,180,242 B2 * 1/2019 Schreiber F21V 21/088
D843,430 S * 3/2019 Hodgson D16/135
D853,818 S * 7/2019 Bergman D8/105
D856,791 S * 8/2019 Limber D8/395

* cited by examiner

Primary Examiner — John Windmuller

(74) *Attorney, Agent, or Firm* — Jordan One; Greenberg
Traurig, LLP

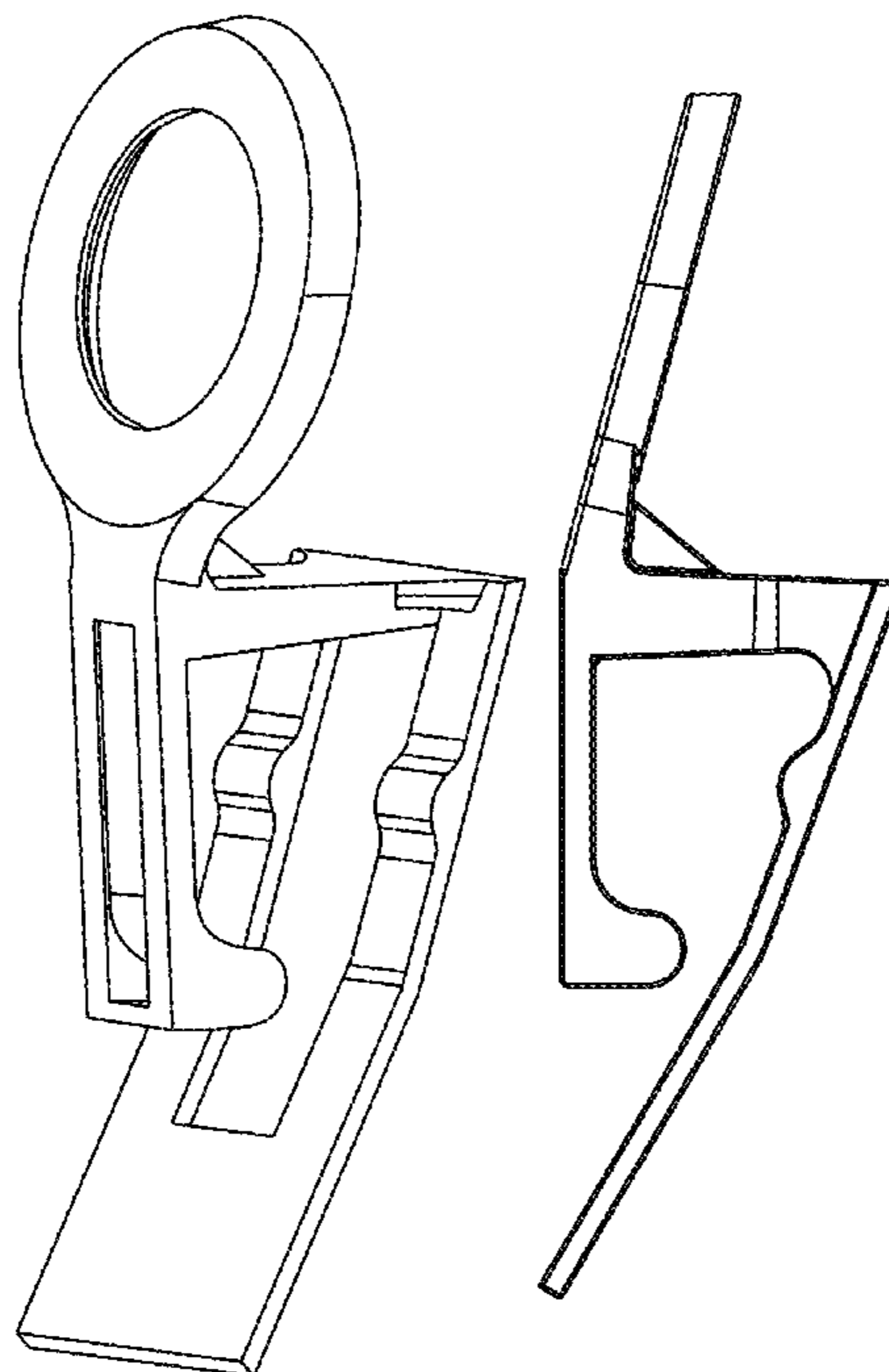
(57) **CLAIM**

I claim the ornamental design for an enclosed gutter clip, as
shown and described.

DESCRIPTION

FIG. 1 is a front perspective view of my enclosed gutter clip;
FIG. 2 is a rear perspective view thereof;
FIG. 3 is a left side elevation view thereof;
FIG. 4 is a right side elevation view thereof;
FIG. 5 is a rear elevation view thereof;
FIG. 6 is a front elevation view thereof;
FIG. 7 is a bottom plan view thereof; and,
FIG. 8 is a top plan view thereof.

1 Claim, 4 Drawing Sheets



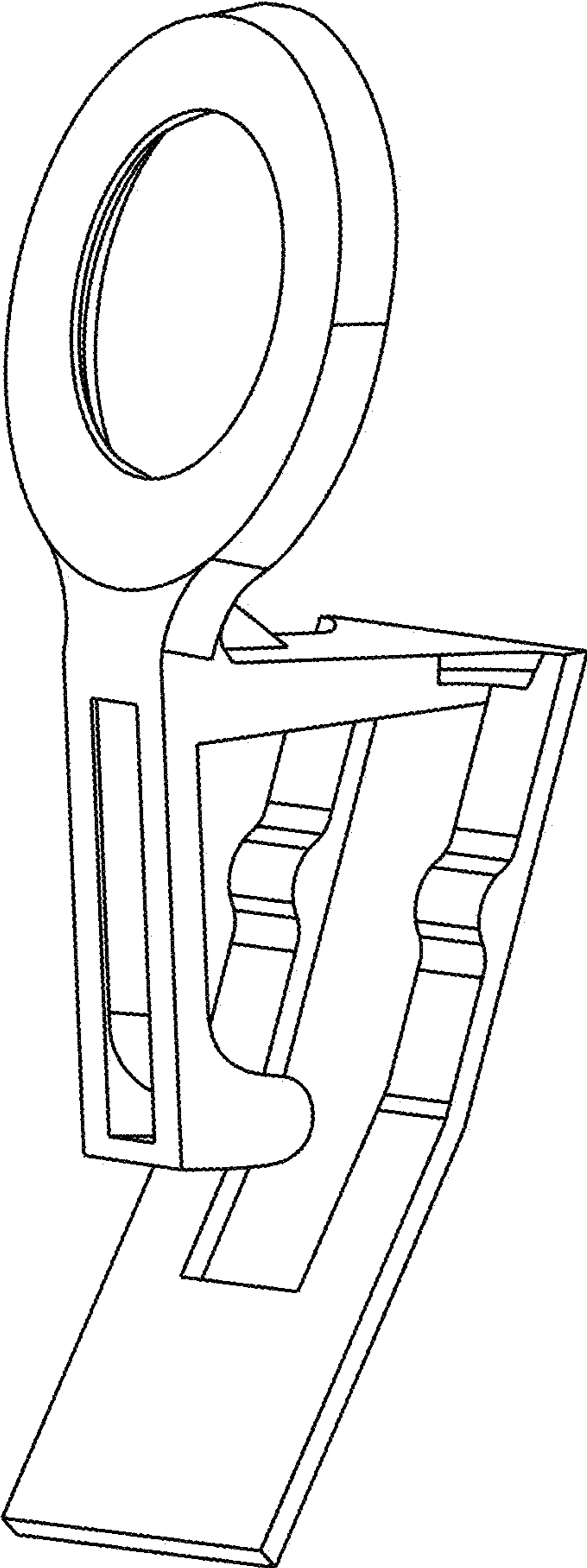


FIG. 1

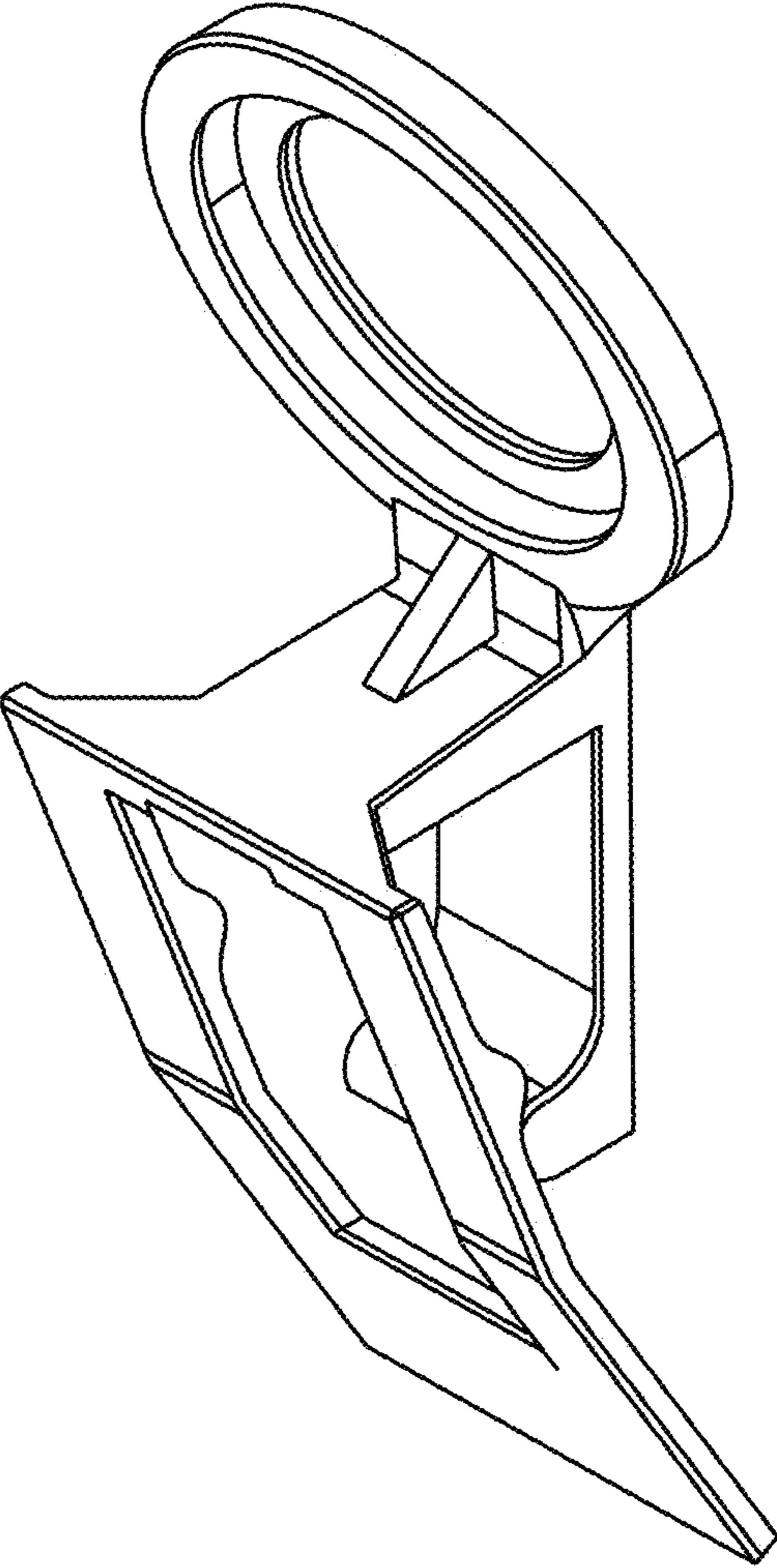


FIG. 2

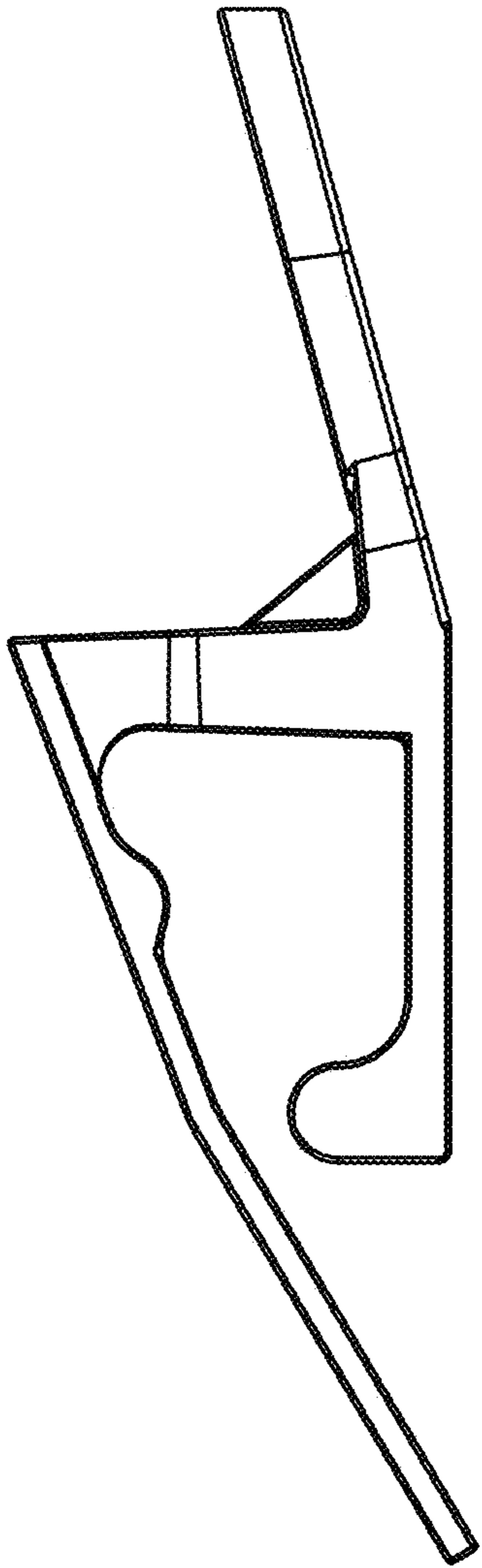


FIG. 3

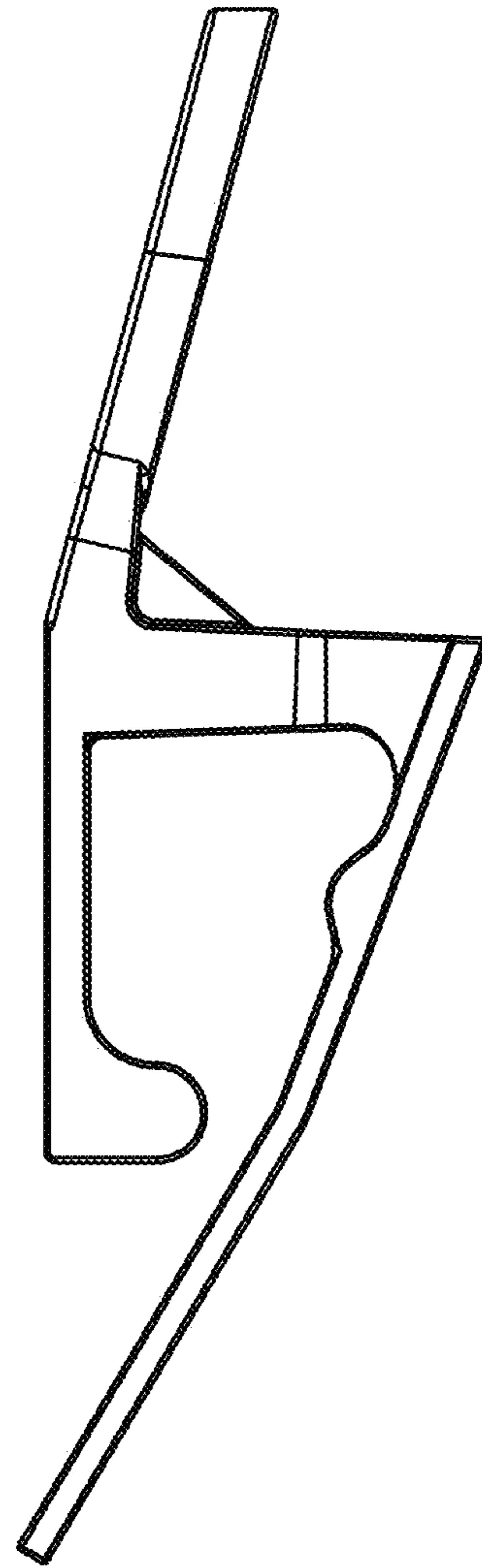


FIG. 4

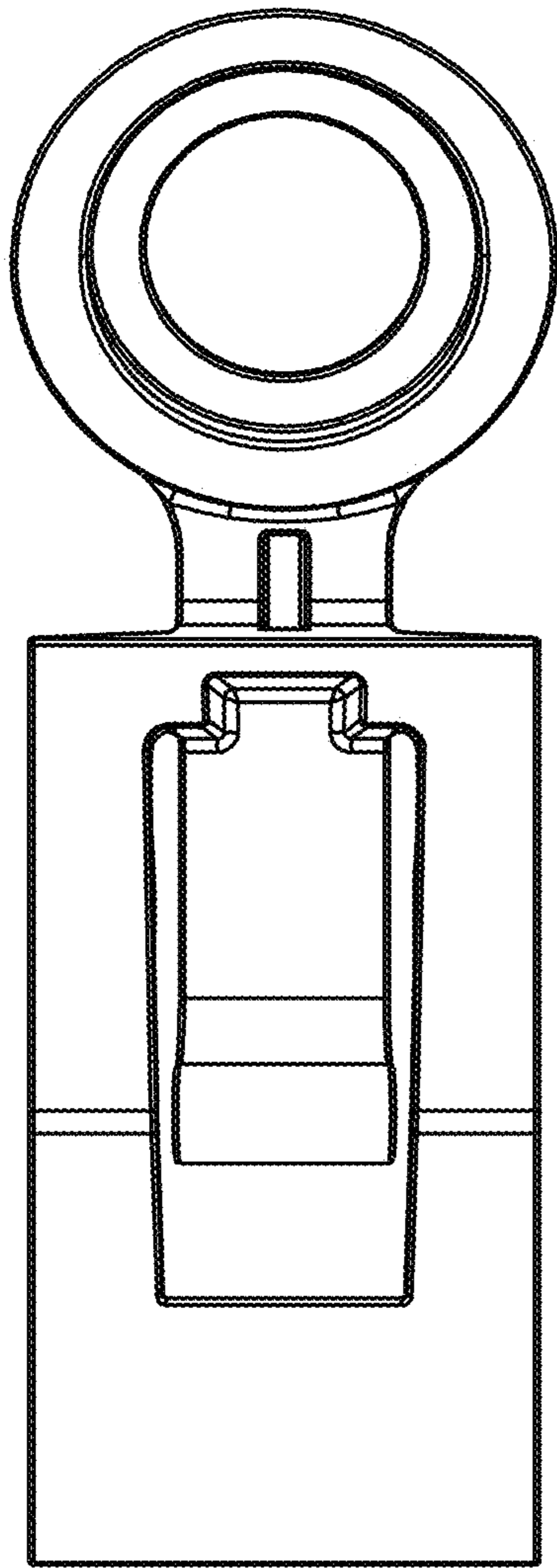


FIG. 5

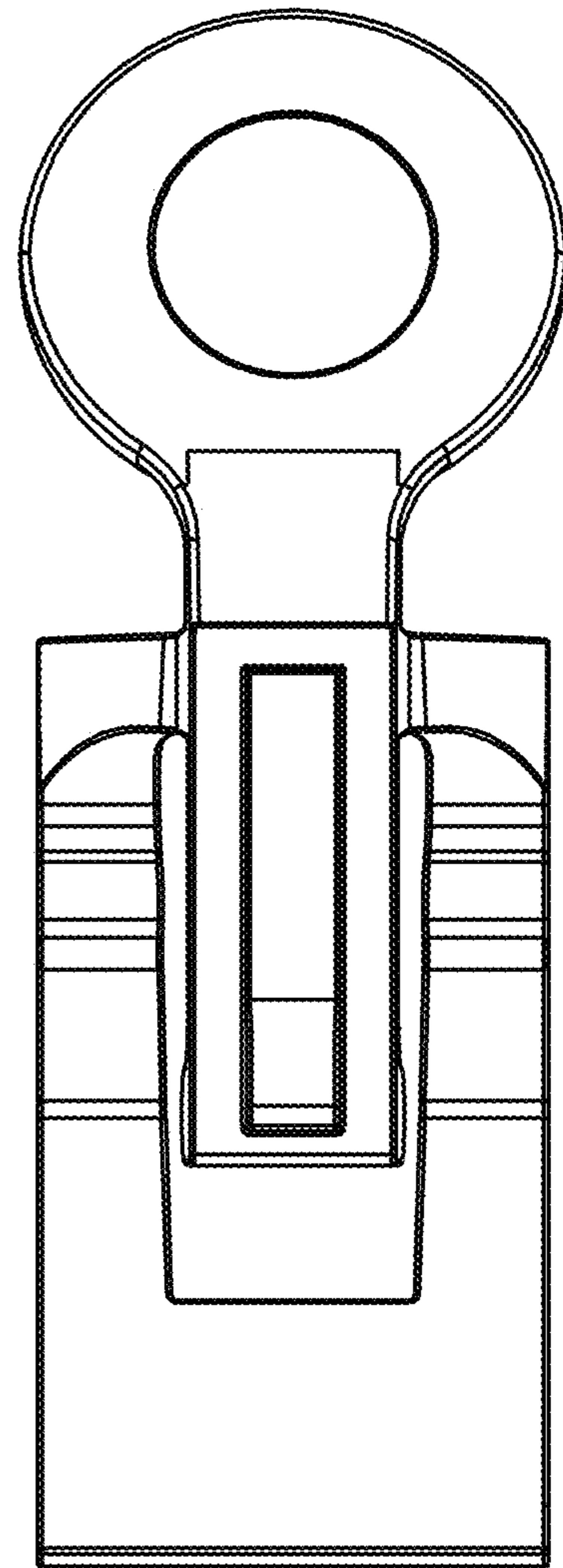


FIG. 6

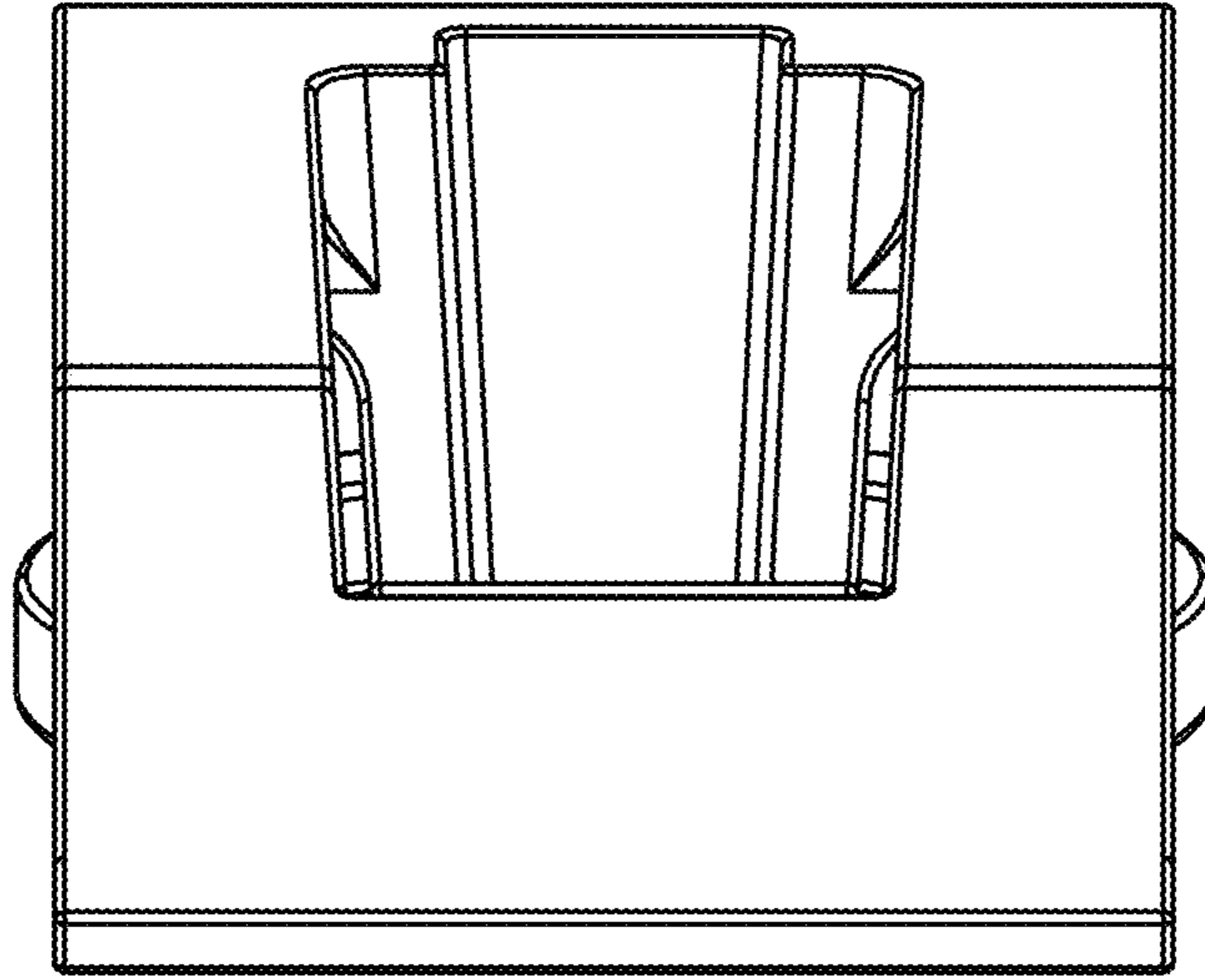


FIG. 7

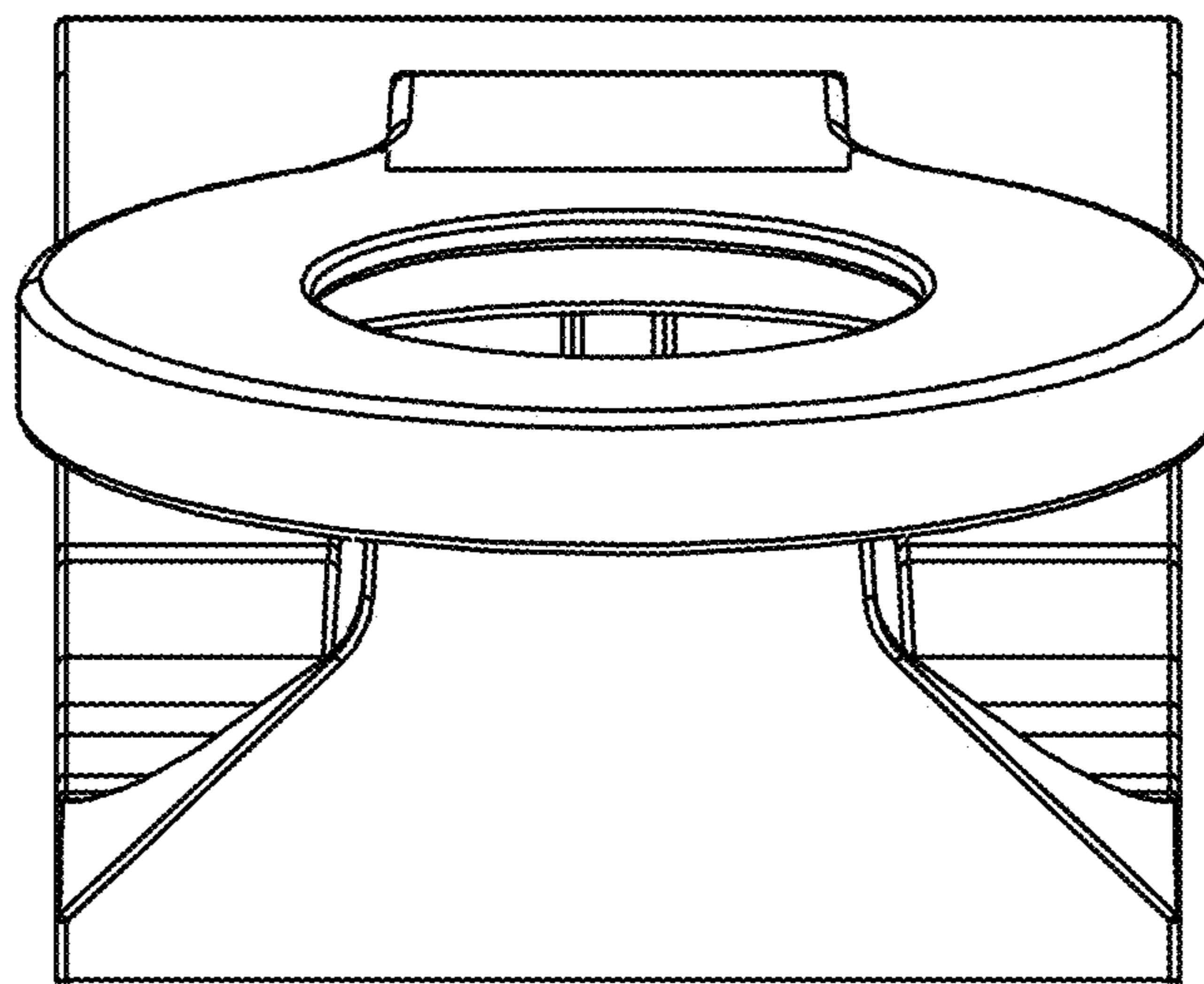


FIG. 8