



US00D874913S

(12) **United States Design Patent**
Buczynski et al.

(10) **Patent No.:** **US D874,913 S**
(45) **Date of Patent:** **** Feb. 11, 2020**

- (54) **NUT RETAINER**
- (71) Applicant: **ILLINOIS TOOL WORKS INC.**,
Glenview, IL (US)
- (72) Inventors: **Gregory Buczynski**, Troy, MI (US);
Clinton Pitt, Gallatin, TN (US)
- (73) Assignee: **Illinois Tool Works Inc.**, Glenview, IL
(US)
- (**) Term: **15 Years**
- (21) Appl. No.: **29/653,904**
- (22) Filed: **Jun. 19, 2018**
- (51) **LOC (12) Cl.** **08-08**
- (52) **U.S. Cl.**
USPC **D8/395**
- (58) **Field of Classification Search**
USPC D8/356, 371, 394-396; D19/65, 56;
D25/58, 121, 122
CPC . E04B 9/067; E04B 9/068; E04B 9/12; E04B
9/18; E04B 9/30; E04B 2009/062; E04C
2003/0413; E04C 2003/0439; E04C
2003/046; F16B 13/08; F16B 5/0258;
F16B 37/02; F16B 5/0642
See application file for complete search history.

- 7,226,260 B2 * 6/2007 Jackson, Jr. F16B 21/076
411/112
- D572,580 S * 7/2008 Machida D8/397
- 7,568,870 B2 * 8/2009 Paquet F16B 37/043
411/125
- 7,640,634 B2 * 1/2010 Vassiliou F16B 5/0614
24/293
- 8,790,056 B2 * 7/2014 Fuentes Domingo
F16B 37/043
411/173
- 8,800,120 B2 * 8/2014 Benedetti F16B 5/0642
24/458
- 9,440,596 B2 * 9/2016 Huelke B60N 3/026

(Continued)

Primary Examiner — John Windmuller
(74) *Attorney, Agent, or Firm* — Quarles & Brady LLP

(57) **CLAIM**

The ornamental design for a nut retainer, as shown and described.

DESCRIPTION

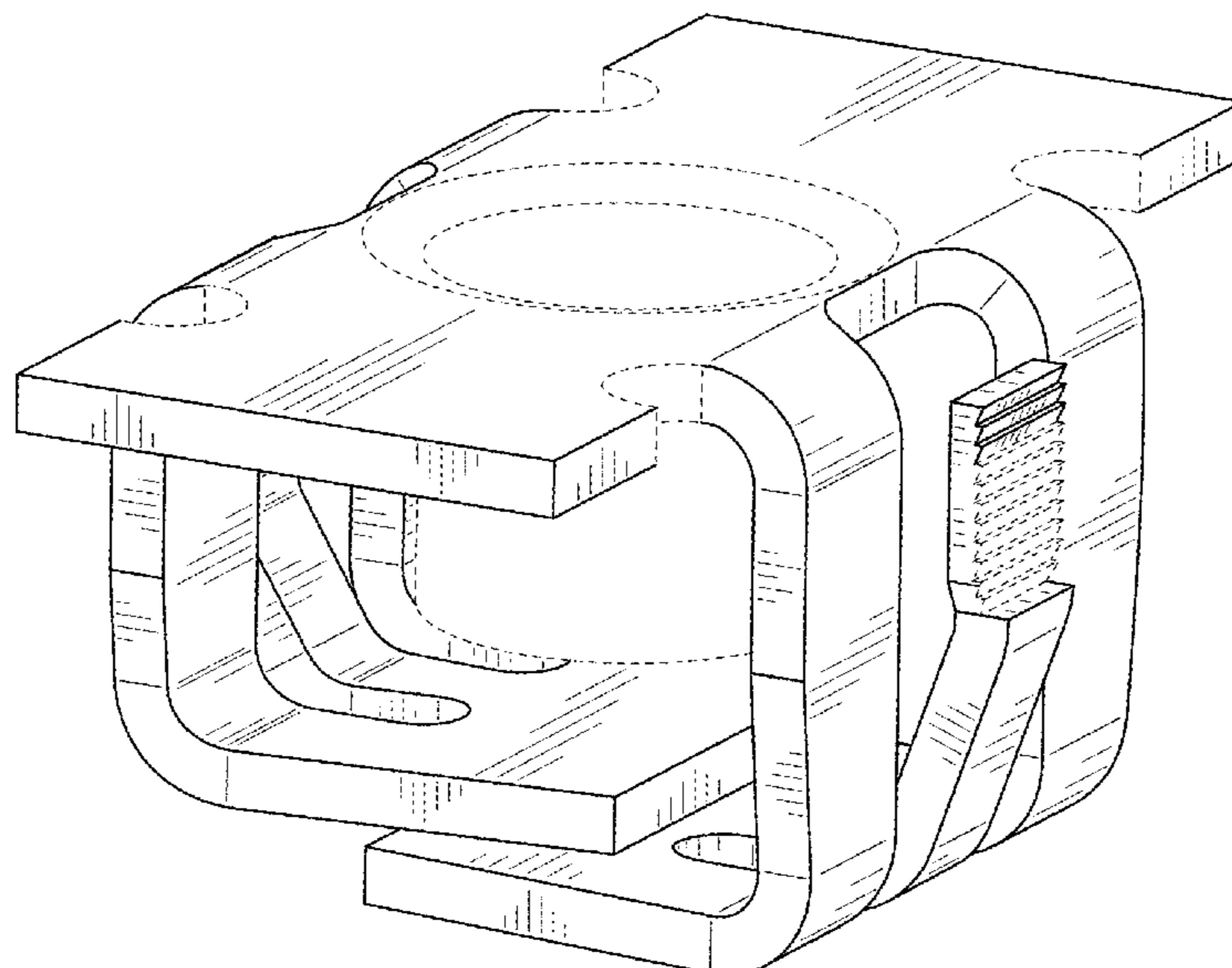
FIG. 1 is an isometric view of a top, front, and right side of an ornamental design for a nut retainer;
 FIG. 2 is an isometric view of a bottom, rear, and left side of the nut retainer of FIG. 1;
 FIG. 3 is a front elevational view of the nut retainer of FIG. 1;
 FIG. 4 is a rear elevational view of the nut retainer of FIG. 1;
 FIG. 5 is a right side elevational view of the nut retainer of FIG. 1;
 FIG. 6 is a left side elevational view of the nut retainer of FIG. 1;
 FIG. 7 is a top plan view of the nut retainer of FIG. 1; and,
 FIG. 8 is a bottom plan view of the nut retainer of FIG. 1.
 The dash-dash-dash-dash broken lines are included for the purpose of illustrating portions that form no part of the claimed design.

(56) **References Cited**

U.S. PATENT DOCUMENTS

- 5,919,019 A * 7/1999 Fischer F16B 37/043
411/112
- 6,203,240 B1 * 3/2001 Hironaka F16B 21/06
24/297
- 6,629,809 B2 * 10/2003 Vassiliou F16B 37/02
411/173
- 6,745,440 B2 * 6/2004 Vassiliou F16B 5/0657
24/289
- 7,120,971 B2 * 10/2006 Osterland B60R 13/0206
24/295

1 Claim, 7 Drawing Sheets



(56)

References Cited

U.S. PATENT DOCUMENTS

9,562,554	B2 *	2/2017	Vidal	F16B 5/0258
D782,928	S *	4/2017	Takakuwa	D10/103
D782,930	S *	4/2017	Takakuwa	D10/103
9,631,662	B2 *	4/2017	Boyer	F16B 37/02
2004/0093701	A1 *	5/2004	Dickinson	F16B 5/0614
				24/294
2010/0026028	A1 *	2/2010	Smith	B60R 13/0206
				296/29

* cited by examiner

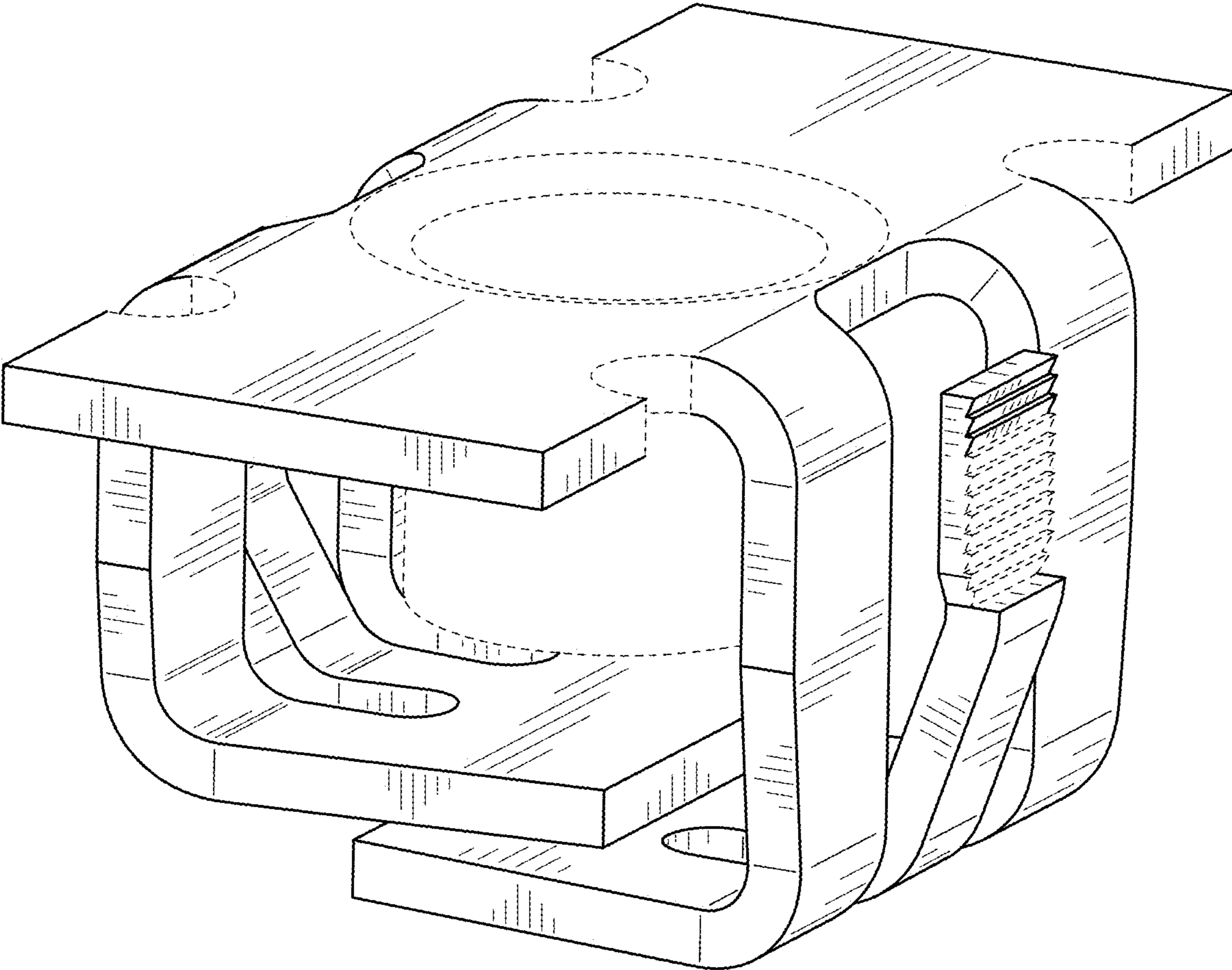


FIG. 1

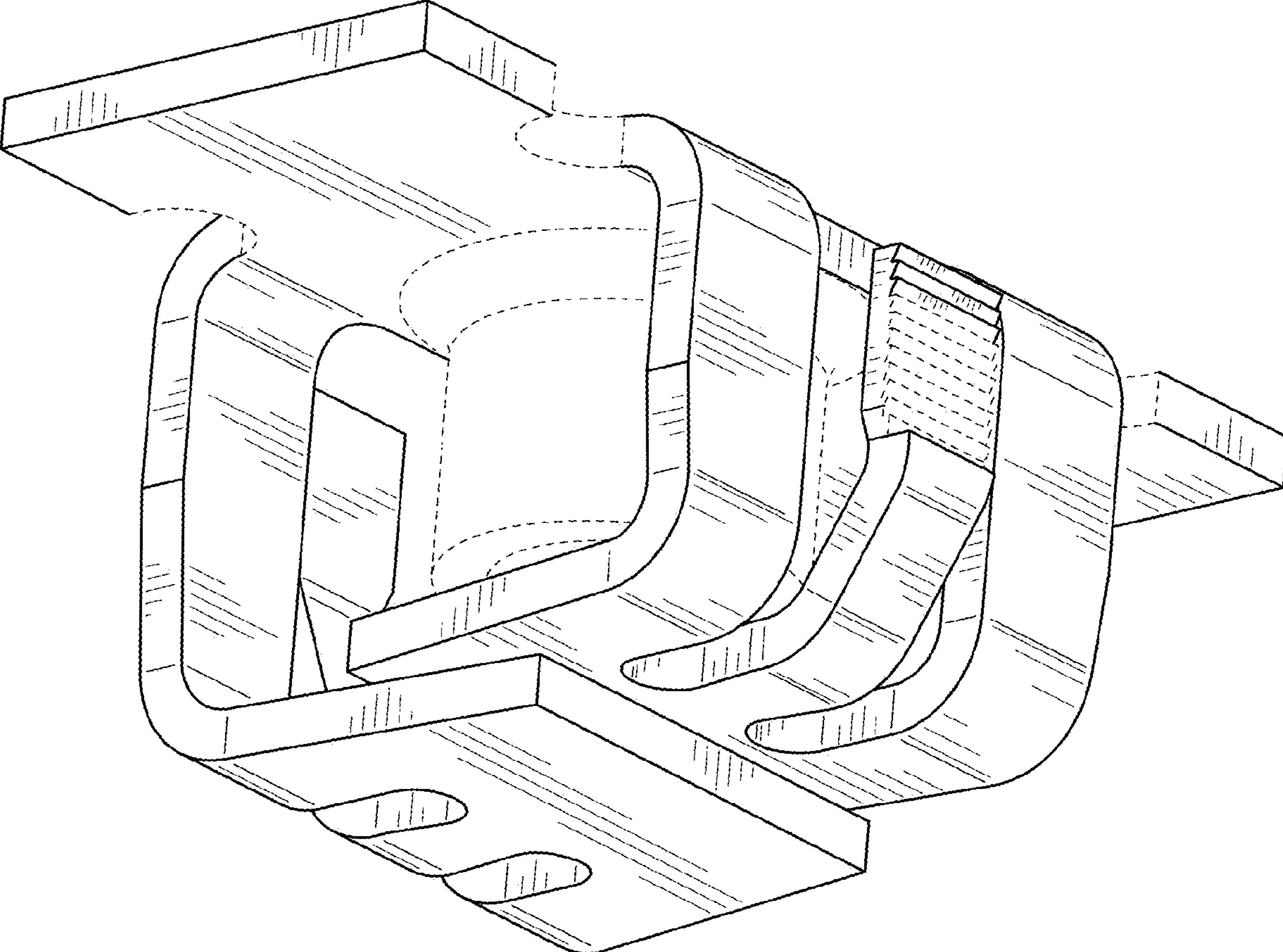


FIG. 2

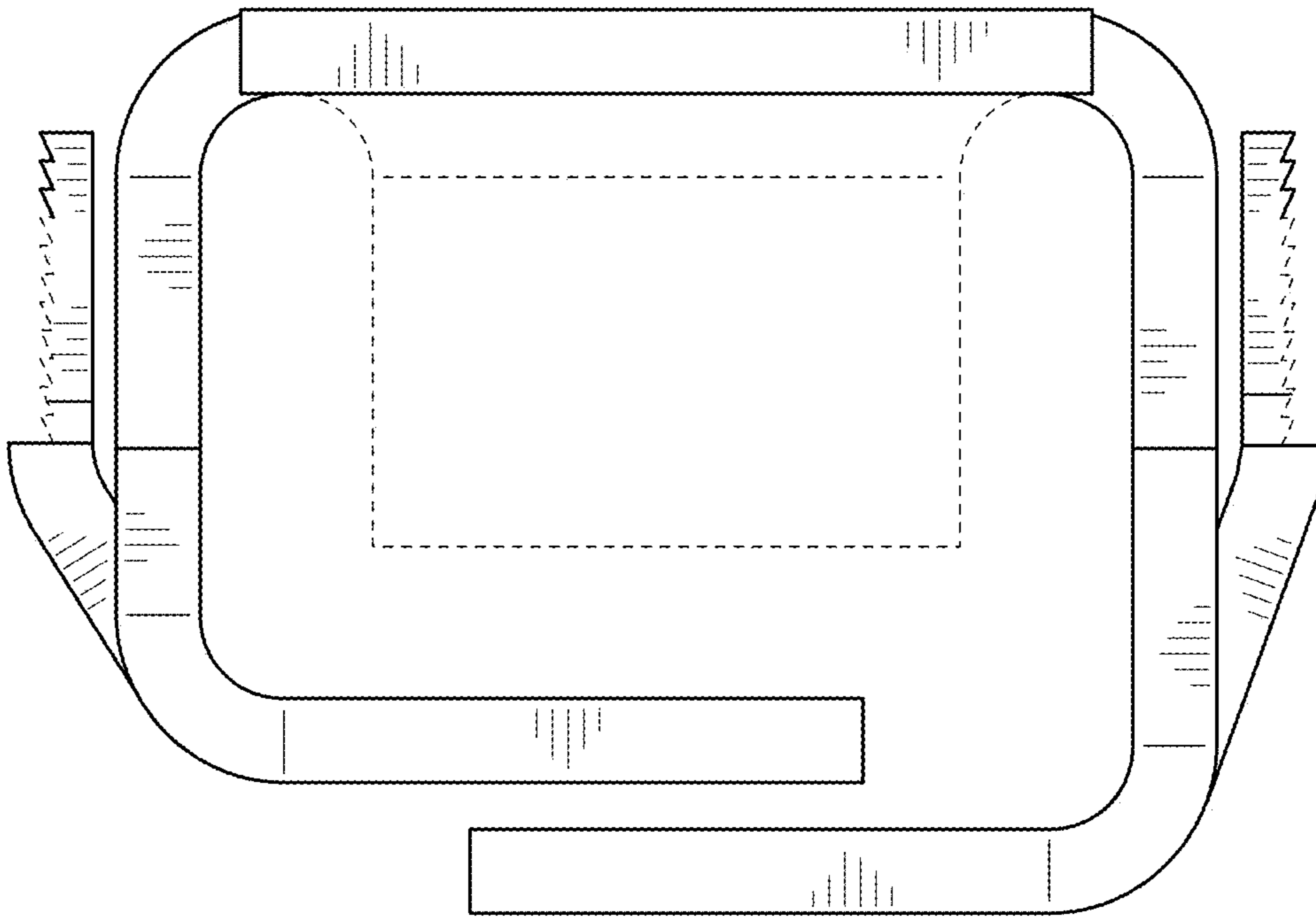


FIG. 3

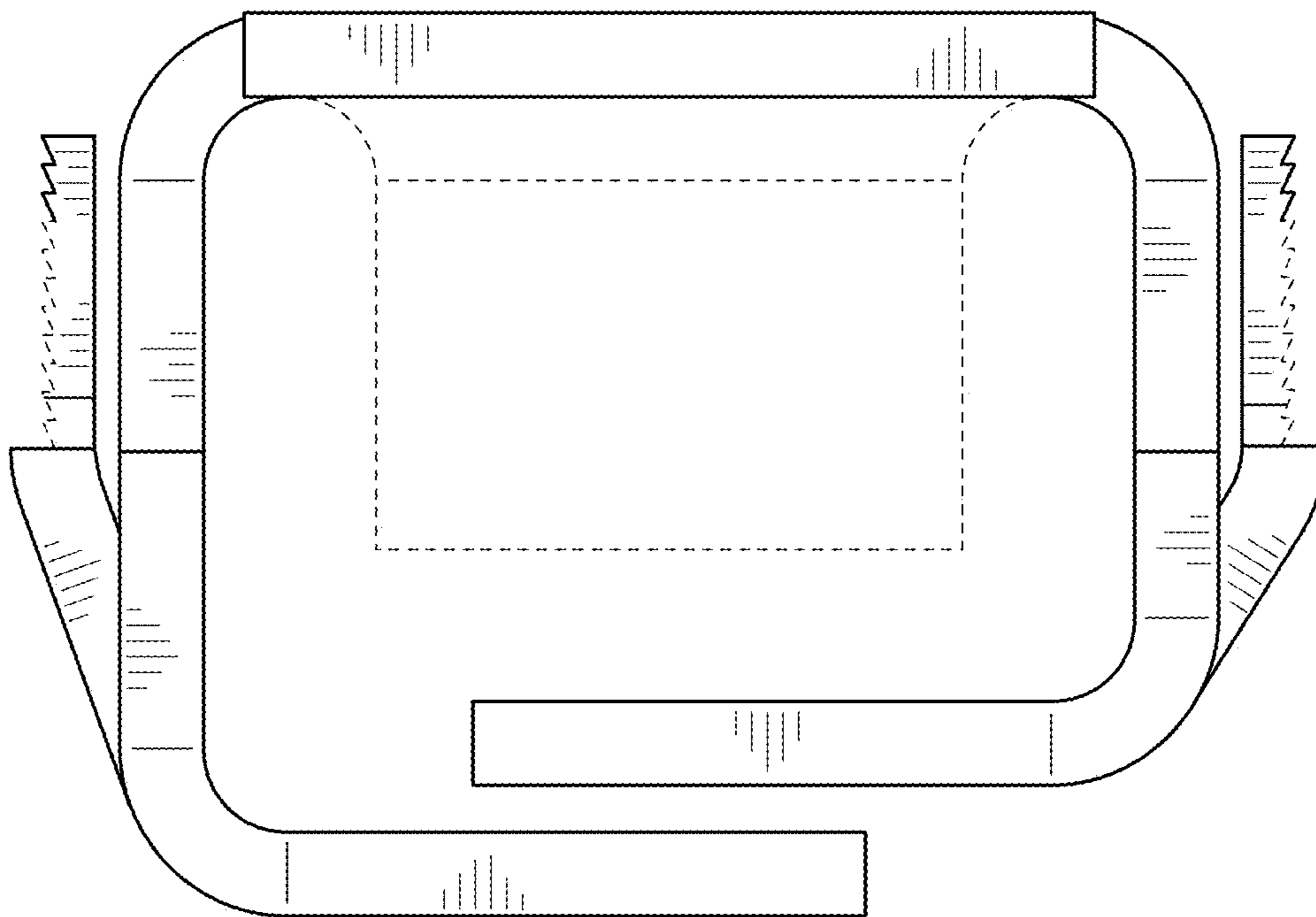


FIG. 4

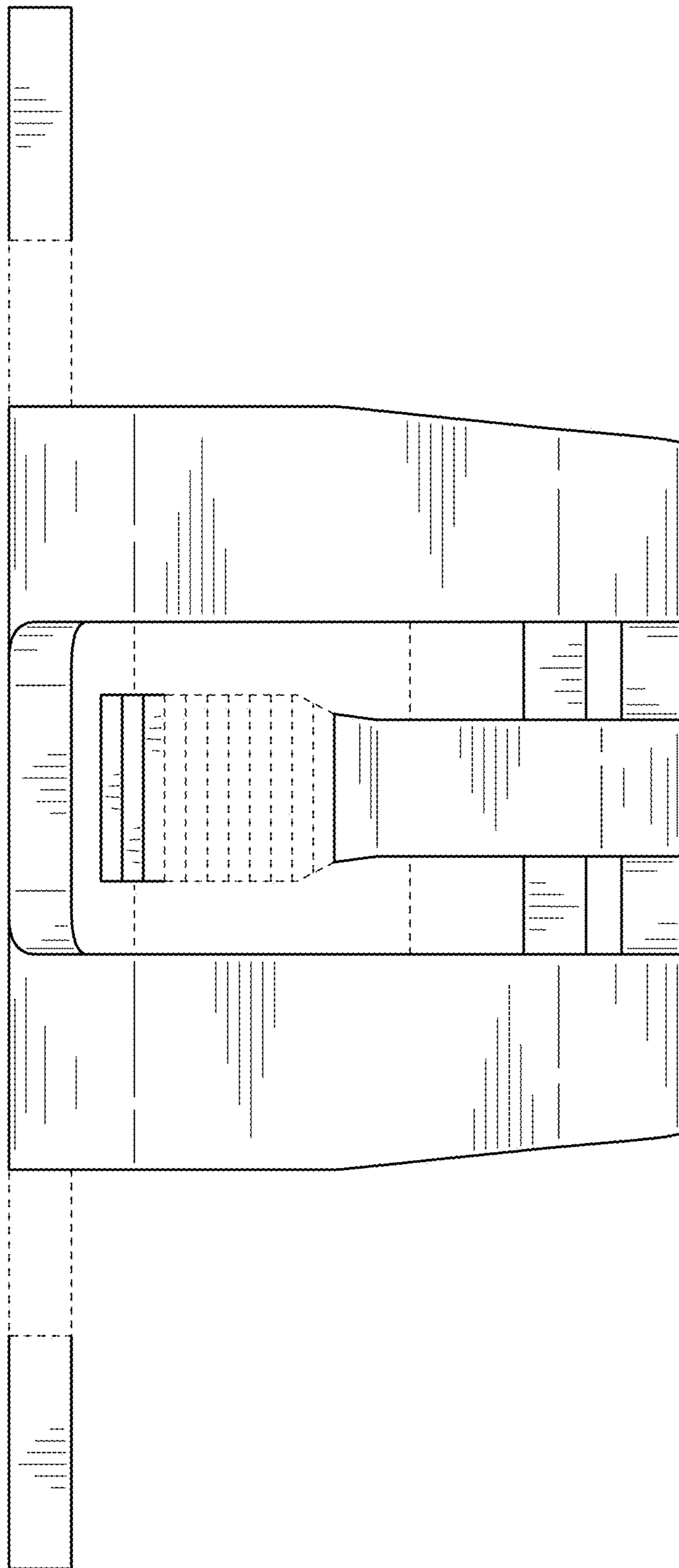


FIG. 5

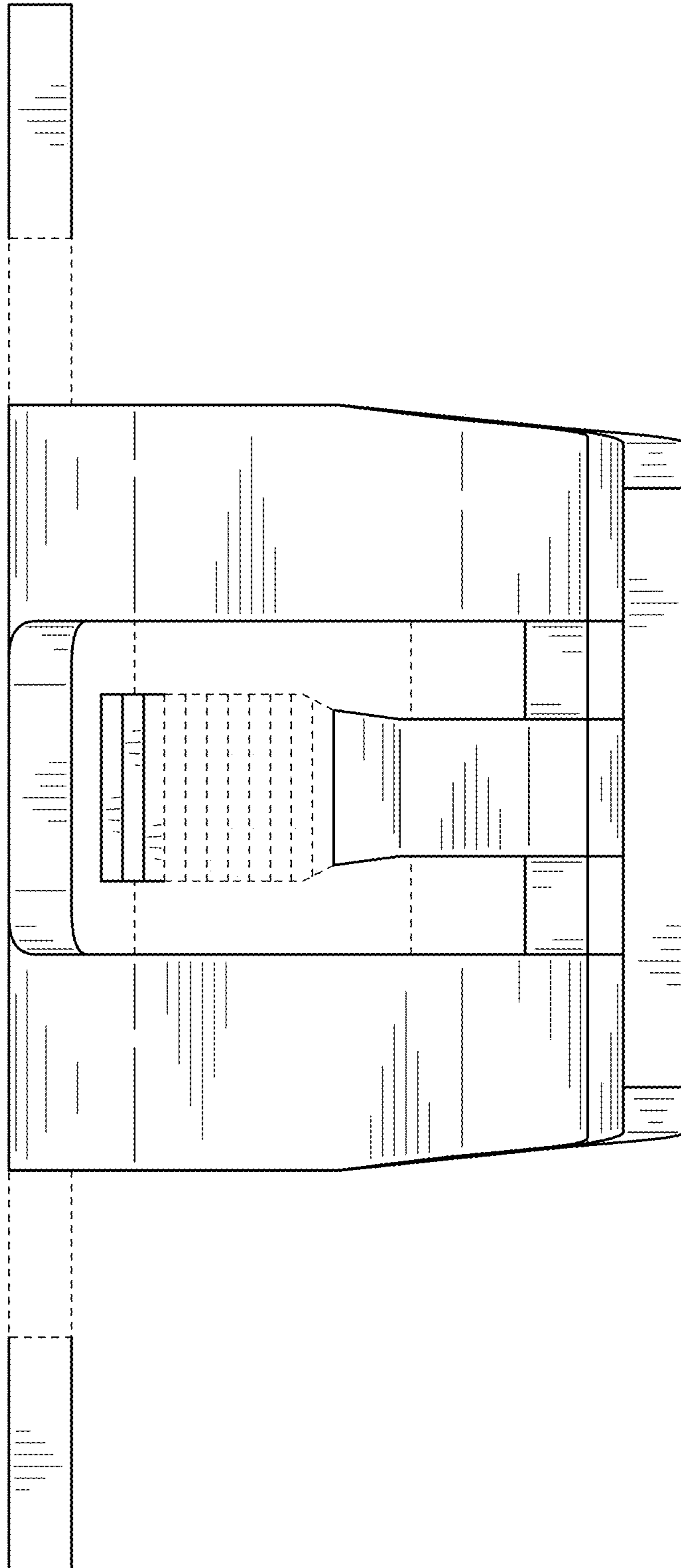


FIG. 6

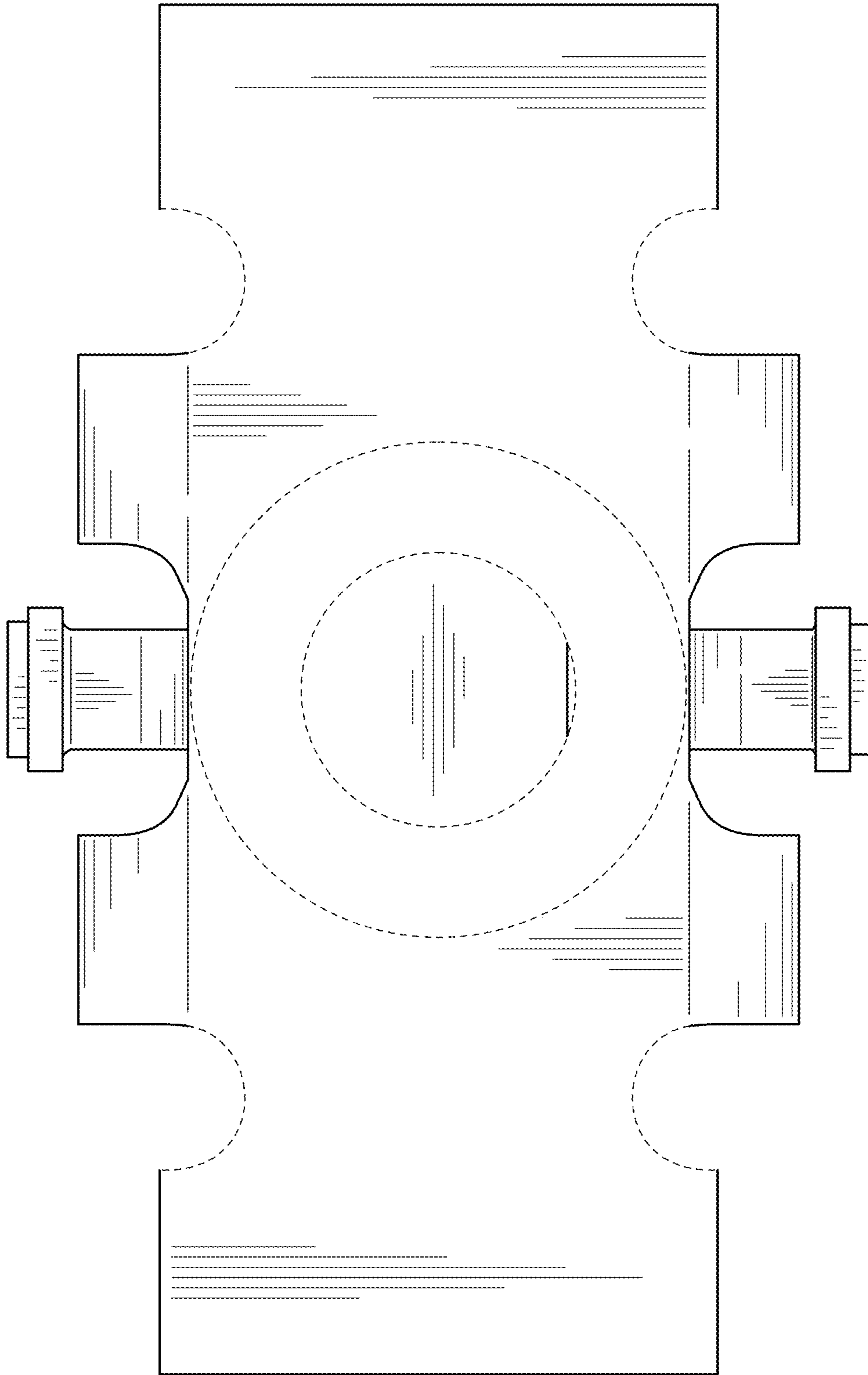


FIG. 7

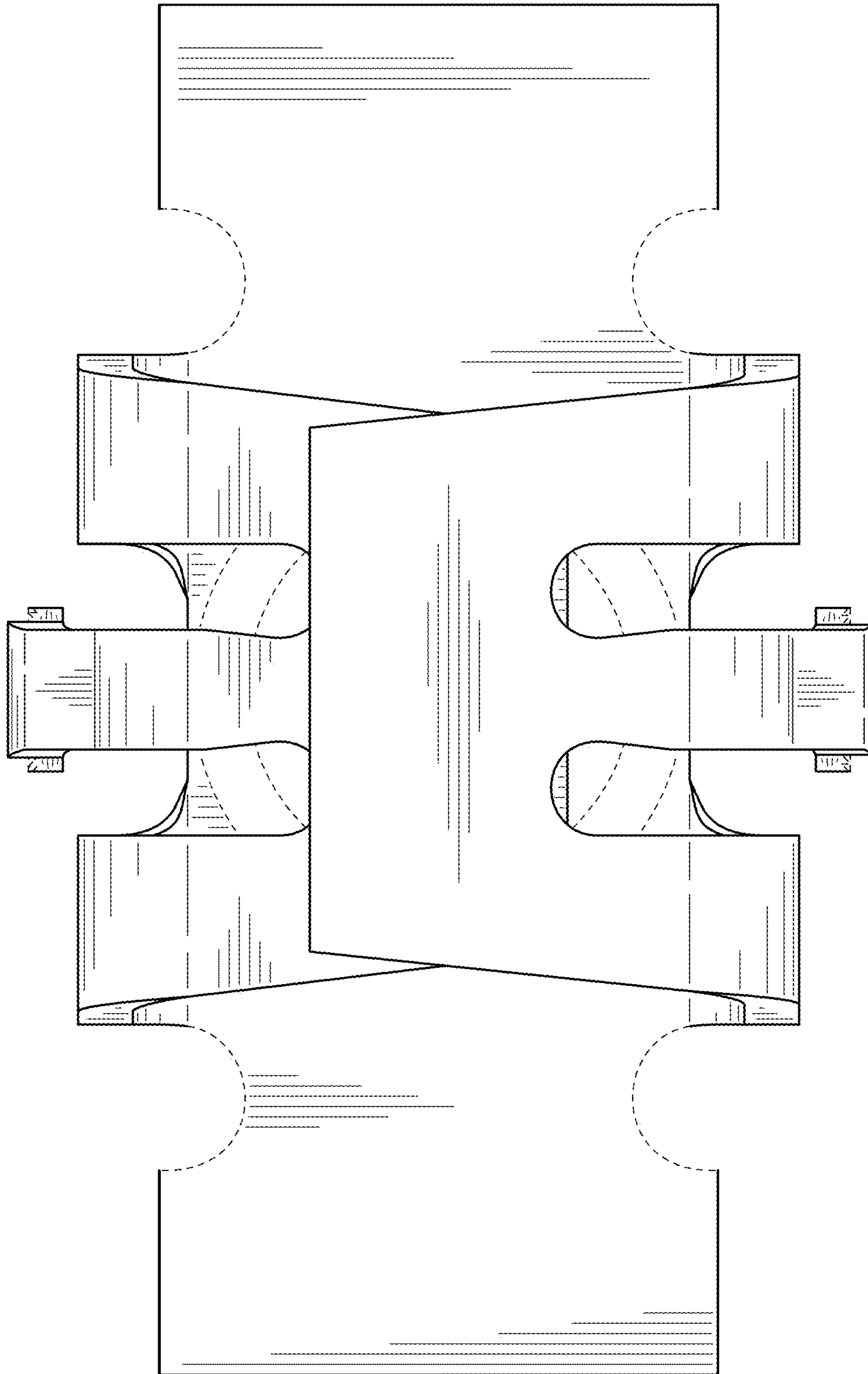


FIG. 8