



US00D874910S

(12) **United States Design Patent** (10) **Patent No.:** **US D874,910 S**
Lortie (45) **Date of Patent:** **** Feb. 11, 2020**

(54) **FASTENING BRACKET**
(71) Applicant: **Lortie Designs, Inc.**, Middleborough, MA (US)
(72) Inventor: **Gabriel J. Lortie**, Middleborough, MA (US)
(73) Assignee: **Lortie Designs, Inc.**, Middleborough, MA (US)
(**) Term: **15 Years**
(21) Appl. No.: **29/568,602**
(22) Filed: **Jun. 20, 2016**
(51) **LOC (12) Cl.** **08-08**
(52) **U.S. Cl.**
USPC **D8/382**
(58) **Field of Classification Search**
USPC D8/16, 71, 349, 354, 355, 373, 380, 381, D8/382; D6/328, 702, 513, 572, 573
CPC F16B 12/10; F16B 12/12; F16B 12/20; F16B 12/32; A47B 57/10; A47B 96/06; A47B 57/045
See application file for complete search history.

4,189,123 A 2/1980 Johnson
D264,423 S * 5/1982 Naylor D8/1
4,378,925 A * 4/1983 Griffin A47B 57/045
108/108
4,429,850 A 2/1984 Weber et al.
(Continued)

FOREIGN PATENT DOCUMENTS

GB 2451853 A 2/2009

OTHER PUBLICATIONS

U.S. Appl. No. 15/225,296, filed Aug. 1, 2016, Lortie.
(Continued)

Primary Examiner — Sandra S Snapp
Assistant Examiner — Ieisha N Price
(74) *Attorney, Agent, or Firm* — Cooley LLP

(57) **CLAIM**

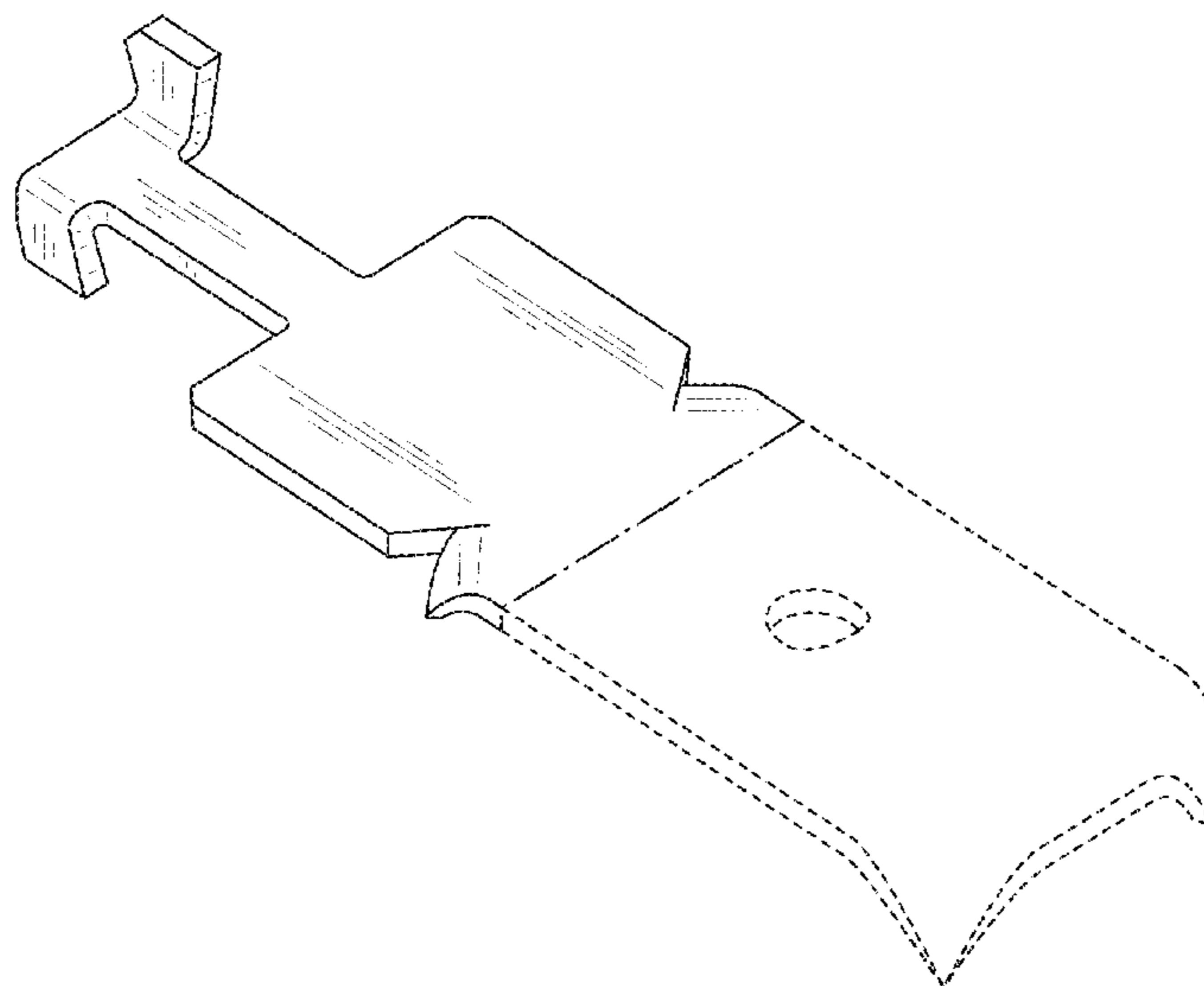
The ornamental design for a fastening bracket, as shown and described.

DESCRIPTION

FIG. 1 is a front view of an embodiment of a fastening bracket;
FIG. 2 is a perspective view of the embodiment thereof;
FIG. 3 is another front view of the embodiment thereof;
FIG. 4 is a back view of the embodiment thereof;
FIG. 5 is a top view of the embodiment thereof;
FIG. 6 is a bottom view of the embodiment thereof;
FIG. 7 is a left side view of the embodiment thereof; and,
FIG. 8 is a right side view of the embodiment thereof.
The dash-dot-dash broken lines immediately adjacent the shaded areas represent the bounds of the claimed design while all other broken lines are directed to environment and are for illustrative purposes only; the dash-dot-dash and broken lines form no part of the claimed design.

1 Claim, 8 Drawing Sheets

(56) **References Cited**
U.S. PATENT DOCUMENTS
1,055,050 A 3/1913 Knape
2,933,196 A 4/1960 Childs
3,080,980 A * 3/1963 Gibbons A47B 57/30
108/152
3,199,822 A 8/1965 Ruhnke
3,559,358 A 2/1971 Lohse et al.
3,888,440 A * 6/1975 Rebentisch A47B 57/42
248/222.13
3,888,441 A * 6/1975 Rebentisch H02G 3/263
248/73
3,989,398 A 11/1976 Wendt
4,154,419 A 5/1979 Breidenbach
4,156,515 A * 5/1979 Mochly A47B 57/567
108/108



(56)

References Cited

U.S. PATENT DOCUMENTS

4,928,867 A 5/1990 Jensen
 D316,810 S * 5/1991 Blackford D8/382
 5,082,388 A 1/1992 Lauterbach
 5,152,117 A * 10/1992 Wynar E04B 2/7457
 52/241
 5,318,264 A 6/1994 Meiste
 D368,648 S * 4/1996 Losier D8/356
 D376,805 S * 12/1996 Johansson D14/253
 5,725,110 A 3/1998 Kluge et al.
 5,799,907 A * 9/1998 Andronica F16L 3/24
 248/62
 5,806,820 A * 9/1998 Simon F16L 3/24
 211/192
 6,024,333 A 2/2000 Raasch et al.
 6,065,724 A * 5/2000 Arslan A47B 96/06
 211/187
 D450,561 S * 11/2001 Moore D11/200
 6,591,996 B1 * 7/2003 Wu A47B 57/26
 211/103
 D502,387 S * 3/2005 Hyakkoku D8/354
 6,929,131 B1 8/2005 Landi
 7,225,590 B1 * 6/2007 diGirolamo E04B 1/4178
 52/379

D619,878 S * 7/2010 Sjoqvist D8/354
 7,814,710 B2 * 10/2010 Foglia E04B 1/4107
 52/709
 7,874,708 B1 1/2011 Jones et al.
 8,234,983 B2 8/2012 Randolph
 9,422,960 B2 8/2016 Lortie et al.
 D822,458 S * 7/2018 Campbell D8/354
 2004/0112005 A1 6/2004 Fischer
 2007/0110511 A1 * 5/2007 Chen A47B 57/40
 403/230
 2014/0374555 A1 * 12/2014 Sukman A47B 96/06
 248/222.14
 2015/0260335 A1 * 9/2015 Lortie F16B 12/12
 248/223.41
 2016/0258461 A1 * 9/2016 Muller A47D 1/006

OTHER PUBLICATIONS

Non-Final Office Action dated Sep. 4, 2015 from U.S. Appl. No. 14/297,315.
 Final Office Action dated Jan. 6, 2016 from U.S. Appl. No. 14/297,315.

* cited by examiner

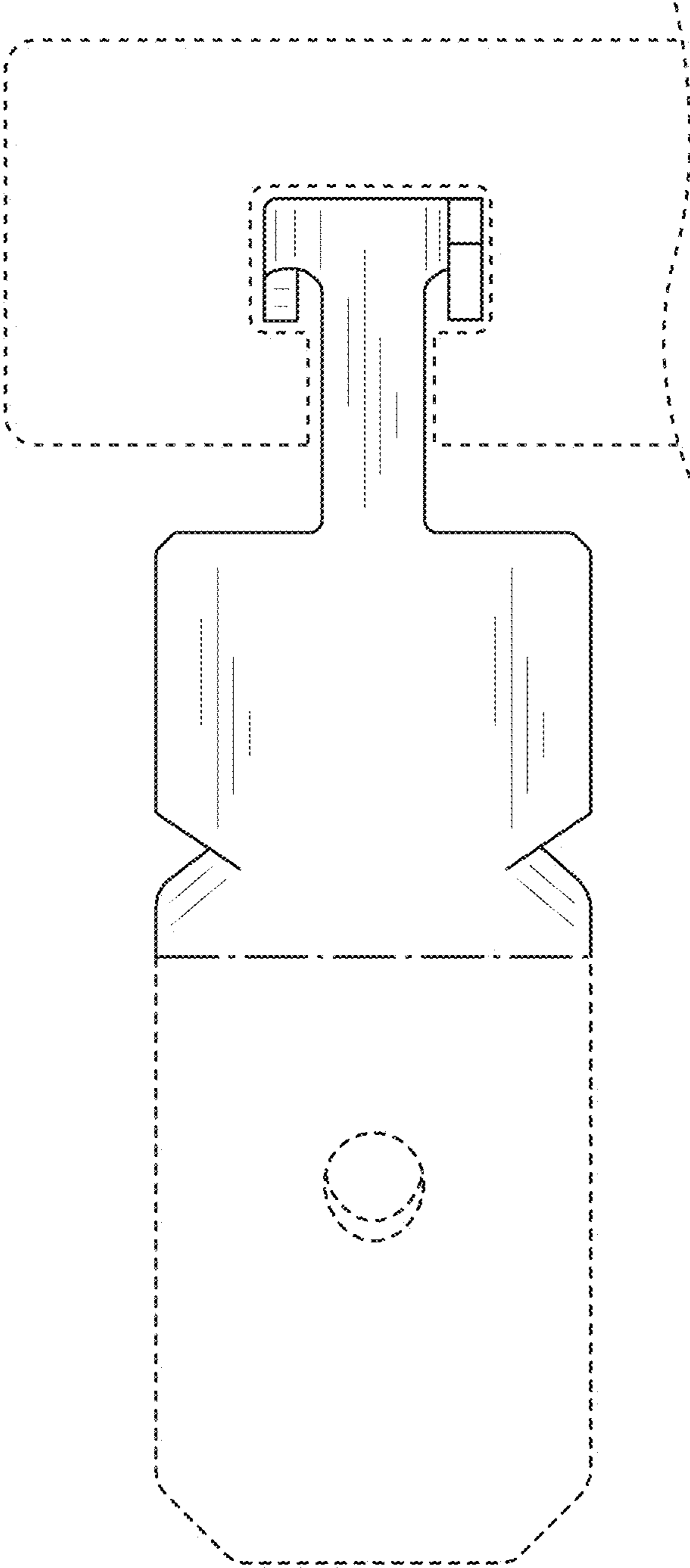


FIG. 1

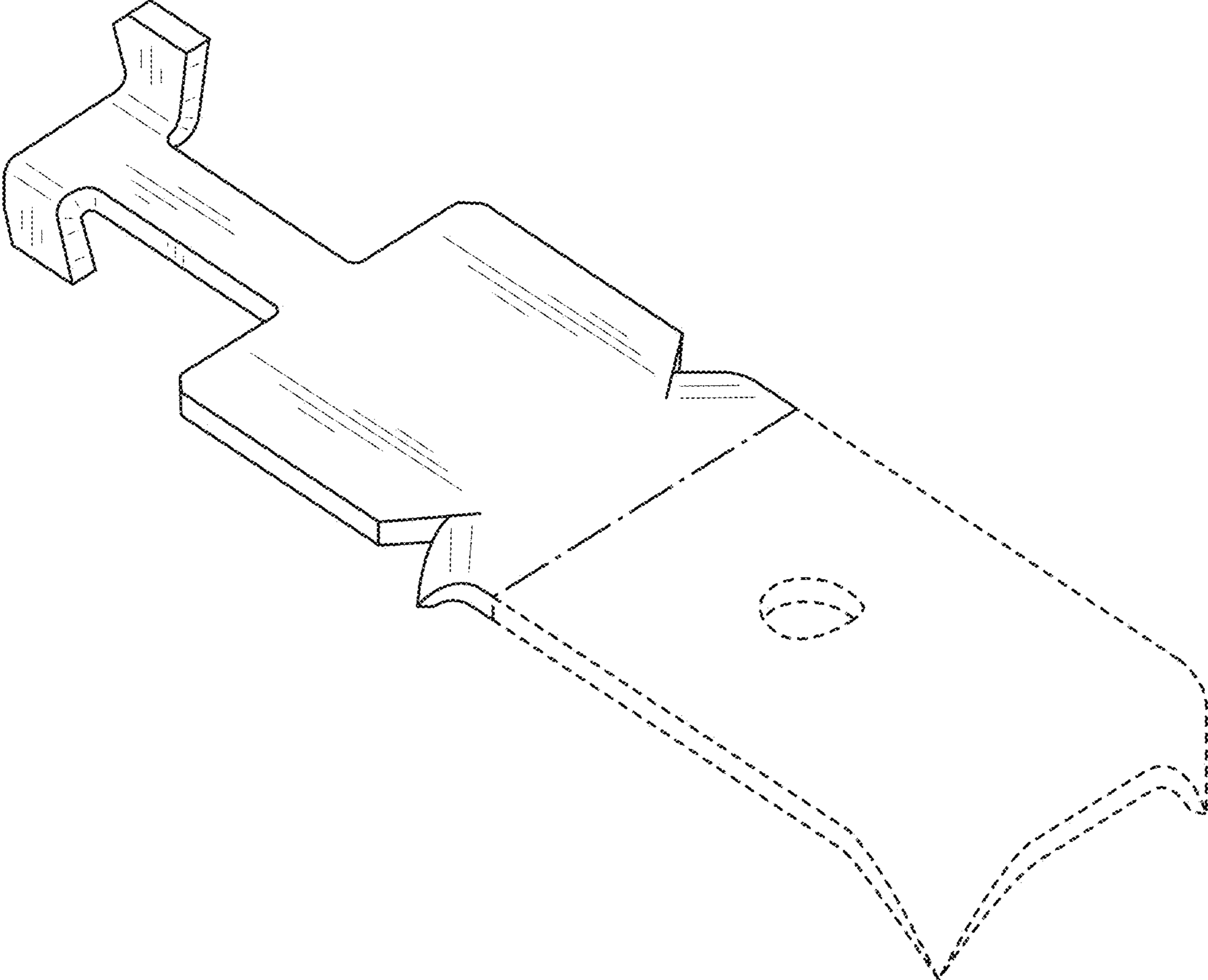


FIG. 2

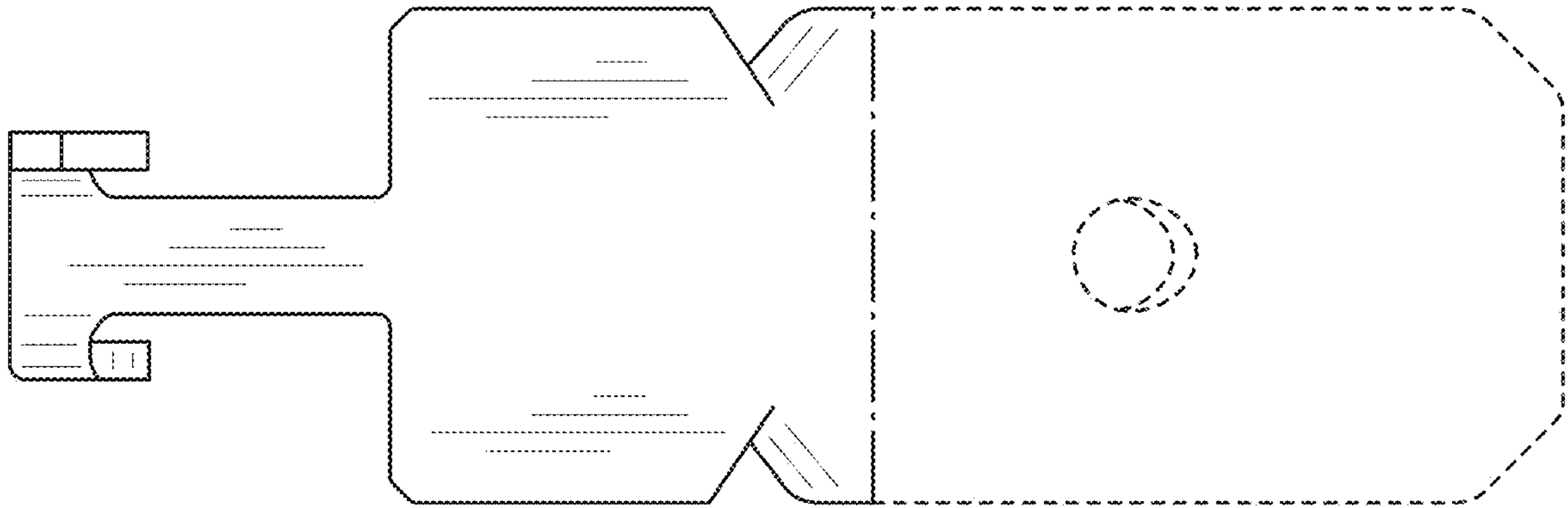


FIG. 3

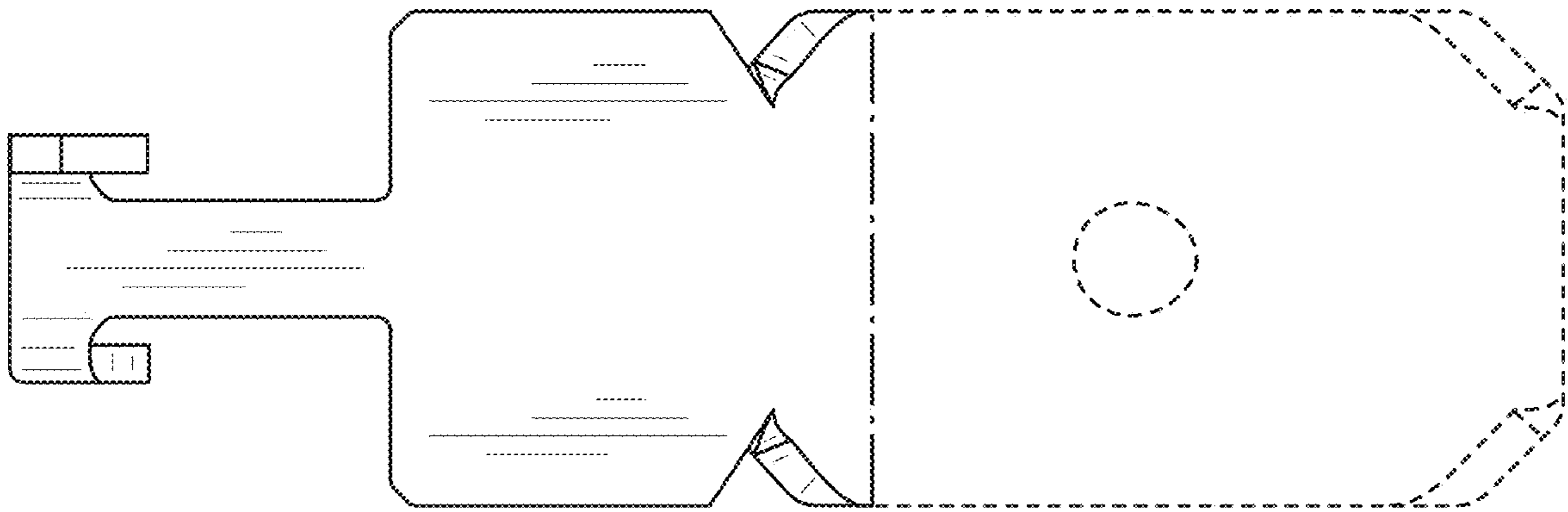


FIG. 4

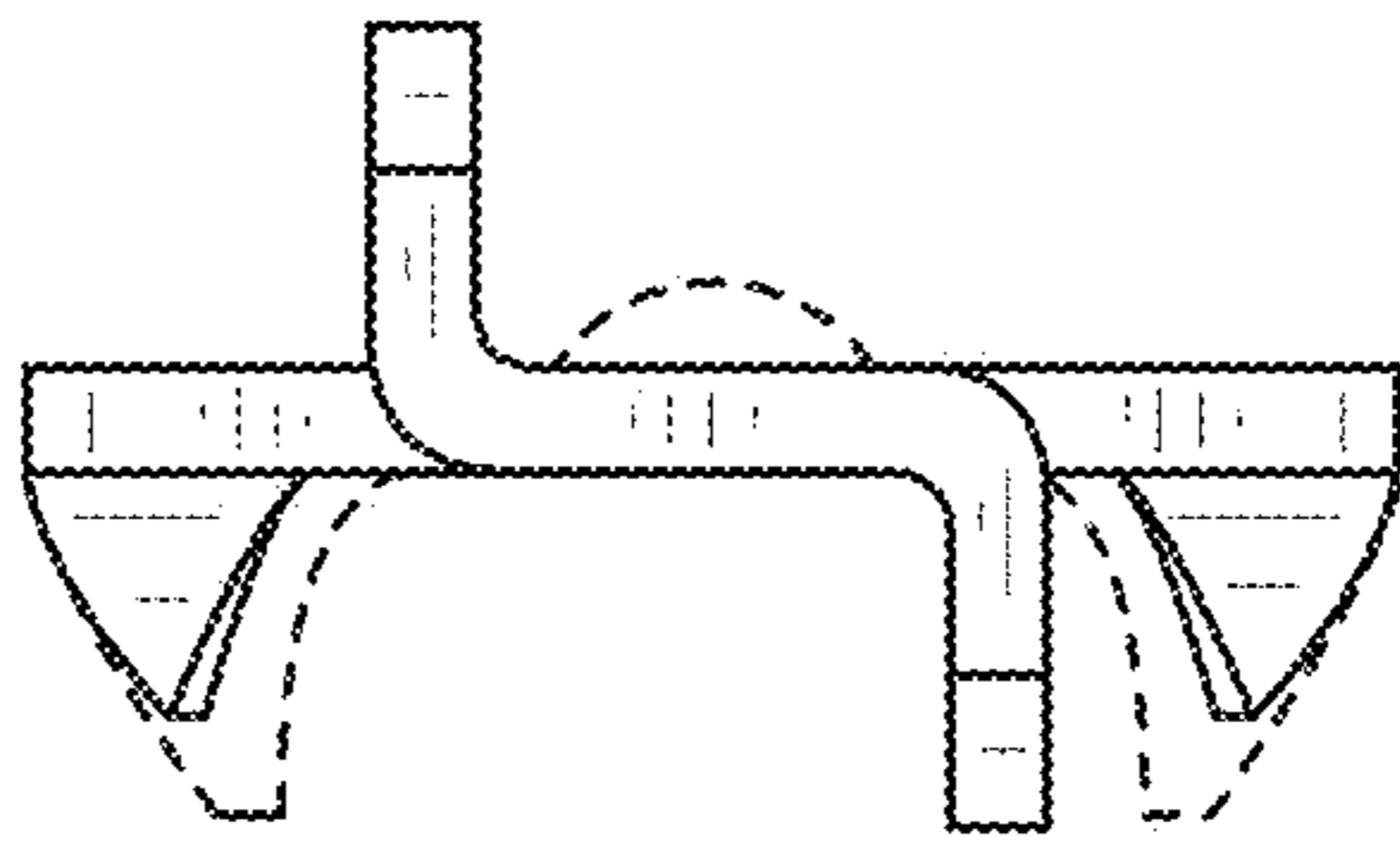


FIG. 5

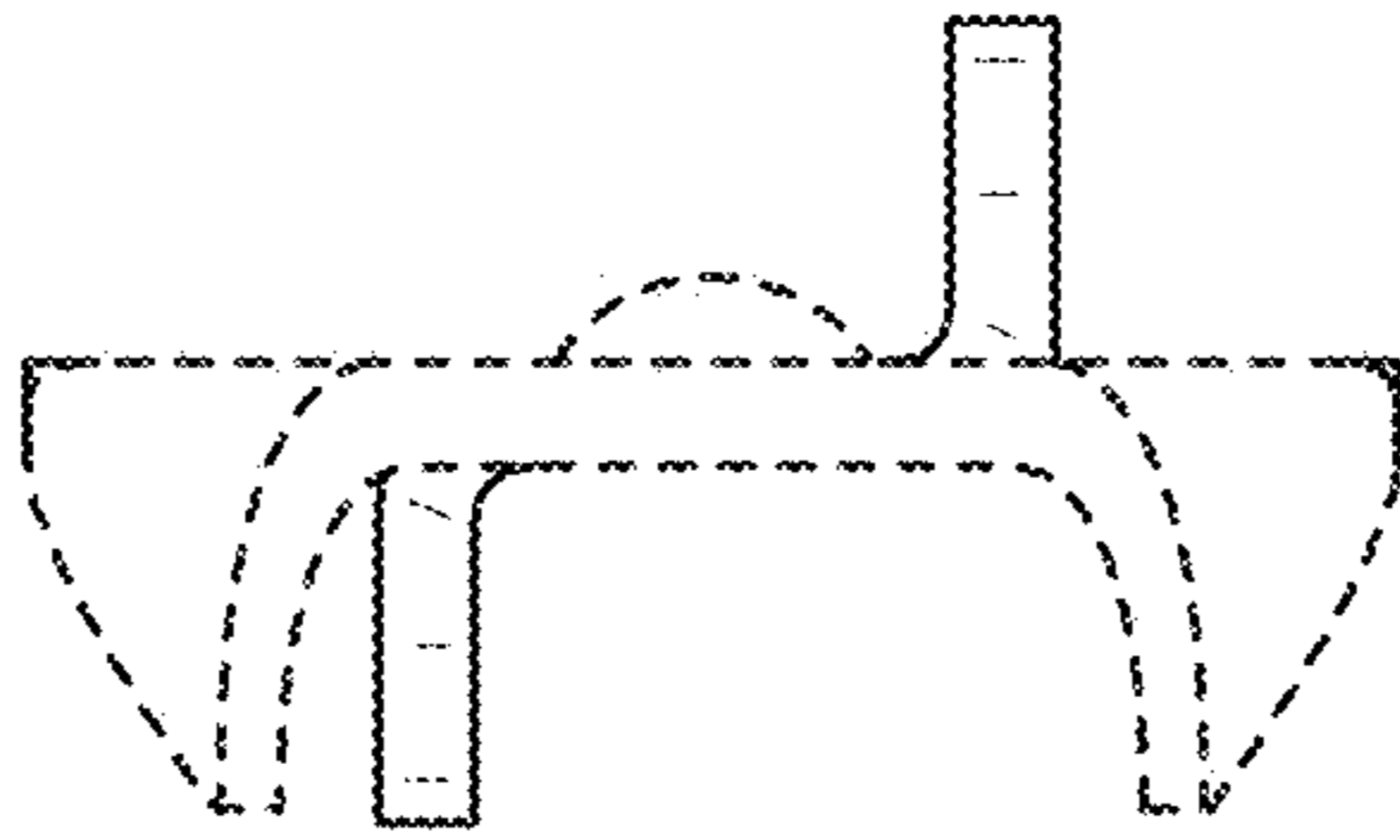


FIG. 6

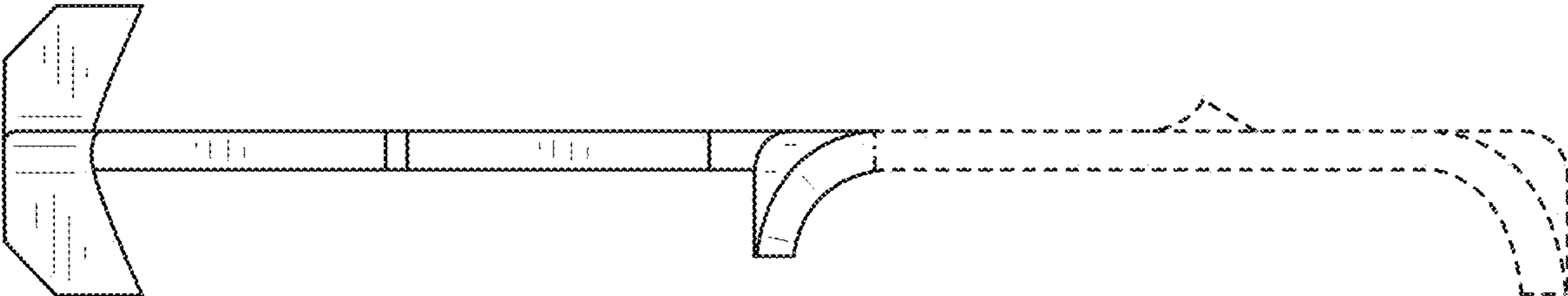


FIG. 7

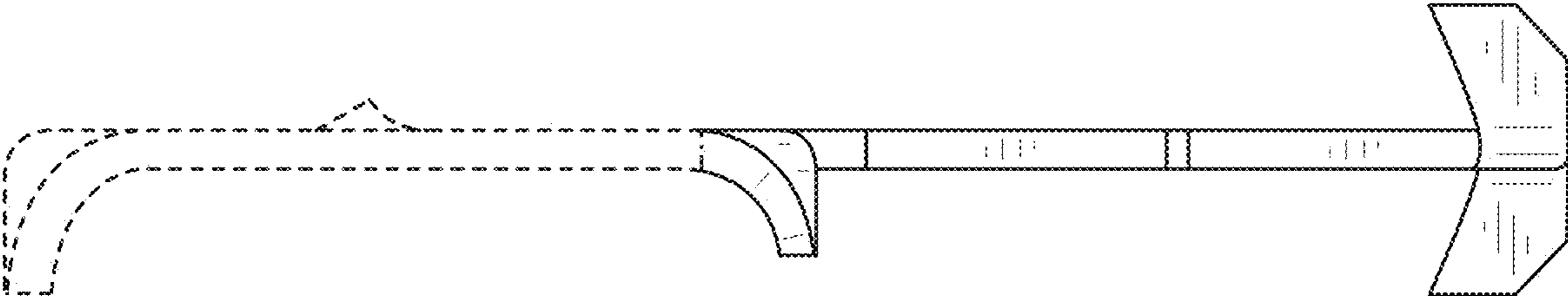


FIG. 8