



US00D874909S

(12) **United States Design Patent**
Marini

(10) **Patent No.:** **US D874,909 S**

(45) **Date of Patent:** **** Feb. 11, 2020**

(54) **SUPPORT BRACKET**

(71) Applicant: **D.M. Systems Srls**, Cartura (PD) (IT)

(72) Inventor: **Michele Marini**, Cartura (IT)

(**) Term: **15 Years**

(21) Appl. No.: **29/663,028**

(22) Filed: **Sep. 11, 2018**

(30) **Foreign Application Priority Data**

Mar. 13, 2018 (EM) 004754067-0001

(51) **LOC (12) Cl.** **08-05**

(52) **U.S. Cl.**
USPC **D8/381**

(58) **Field of Classification Search**
USPC D8/380, 381, 400, 402, 499
CPC A47B 96/028; A47B 57/42; A47B 96/06;
A47F 5/101; G09F 3/204
See application file for complete search history.

(56) **References Cited**

U.S. PATENT DOCUMENTS

D490,697 S * 6/2004 Runnalls D8/380
D508,646 S * 8/2005 Gates D8/381
D734,633 S * 7/2015 Espiritu D20/44
D781,727 S * 3/2017 Jackson D10/65

* cited by examiner

Primary Examiner — Randall H Gholson

(74) *Attorney, Agent, or Firm* — Themis Law

(57) **CLAIM**

The ornamental design for a support bracket, as shown and described.

DESCRIPTION

FIG. 1 is a perspective view of a support bracket showing my new design;

FIG. 2 is a front elevational view thereof;

FIG. 3 is a rear elevational view thereof;

FIG. 4 is a left side elevational view thereof;

FIG. 5 is a right side elevational view thereof;

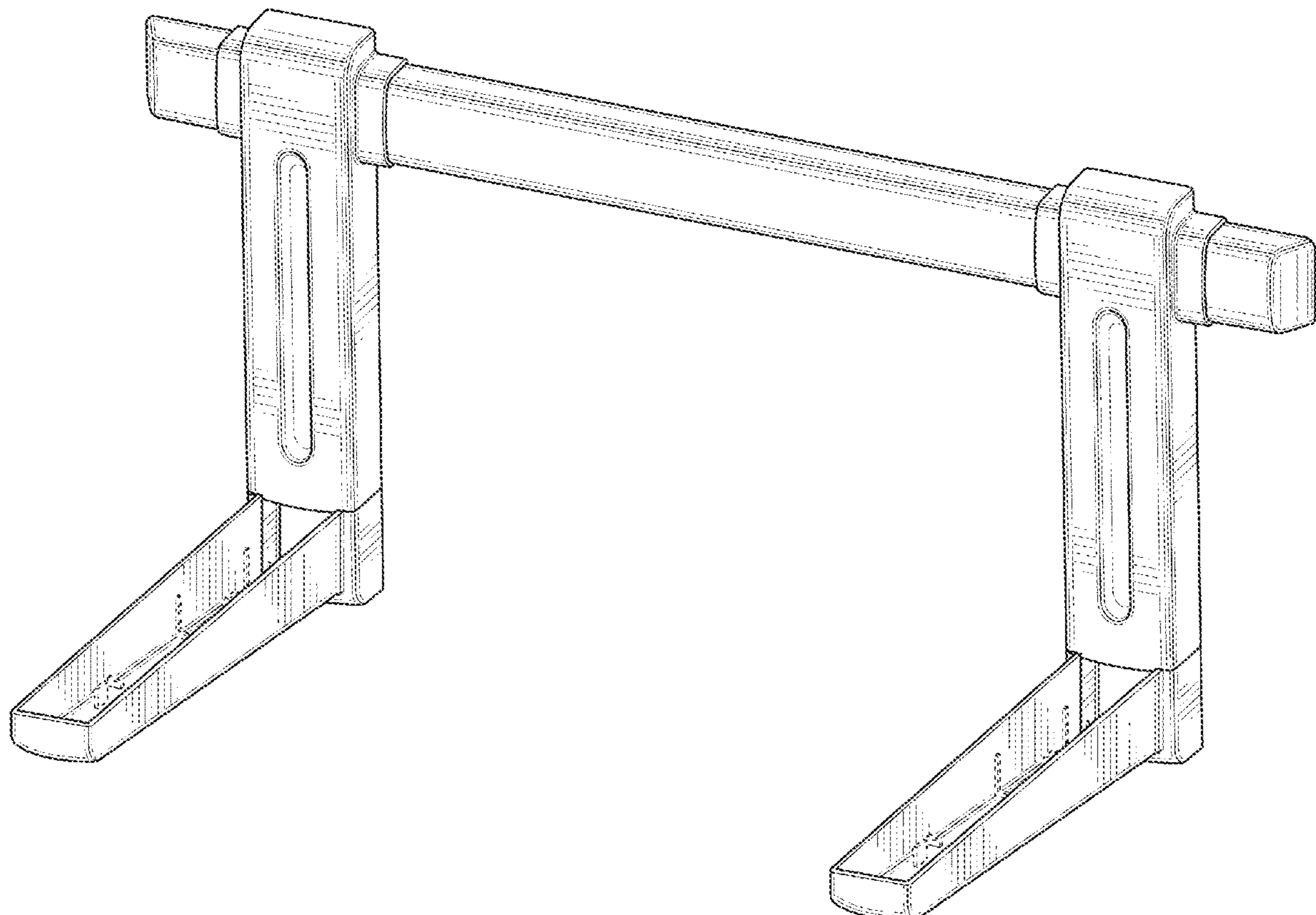
FIG. 6 is a top plan view thereof;

FIG. 7 is a bottom perspective thereof; and,

FIG. 8 is an exploded perspective view thereof.

The portions in dashed lines are for illustrative purposes only and form no part of the claimed design.

1 Claim, 7 Drawing Sheets



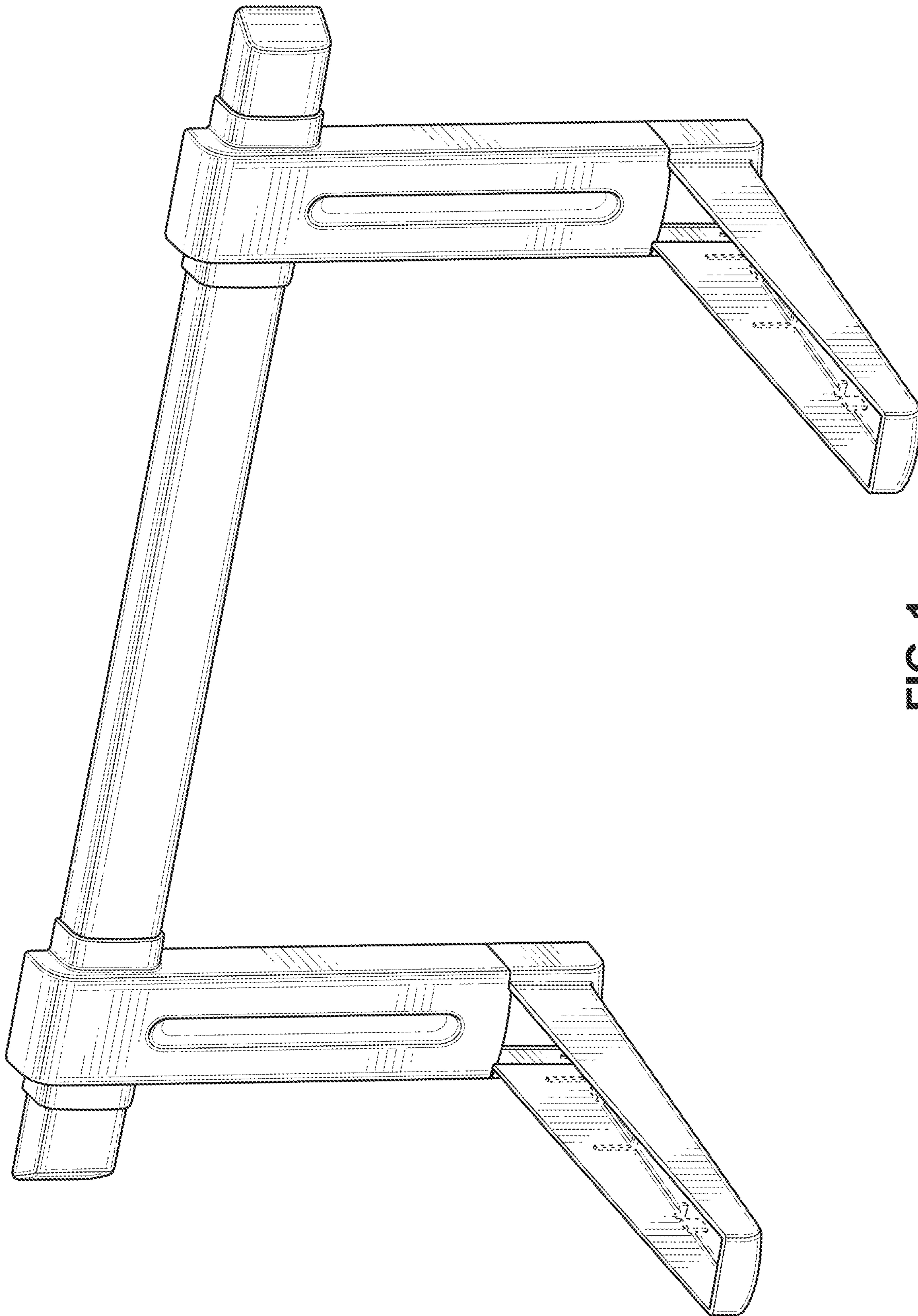


FIG. 1

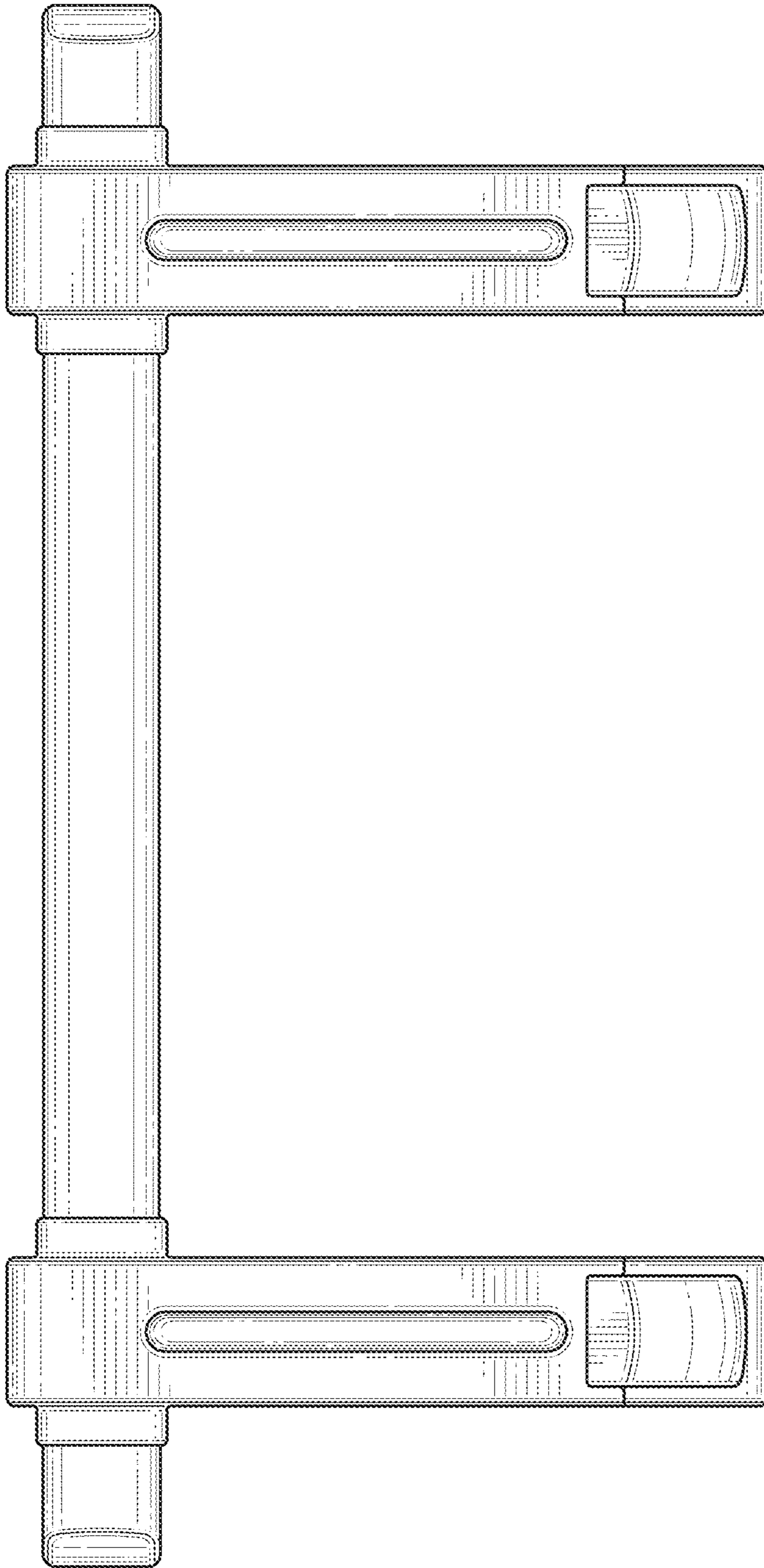


FIG. 2

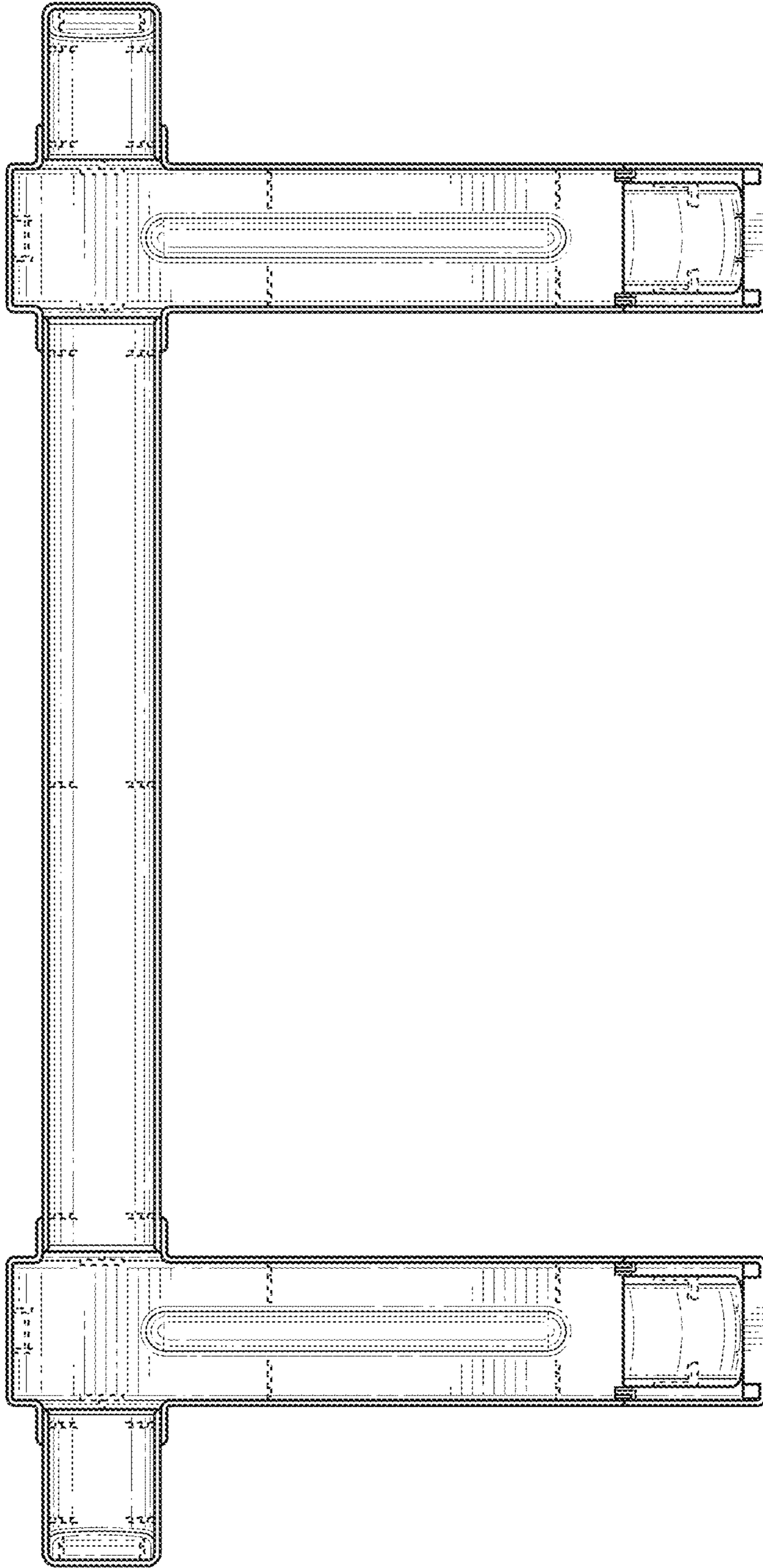


FIG. 3

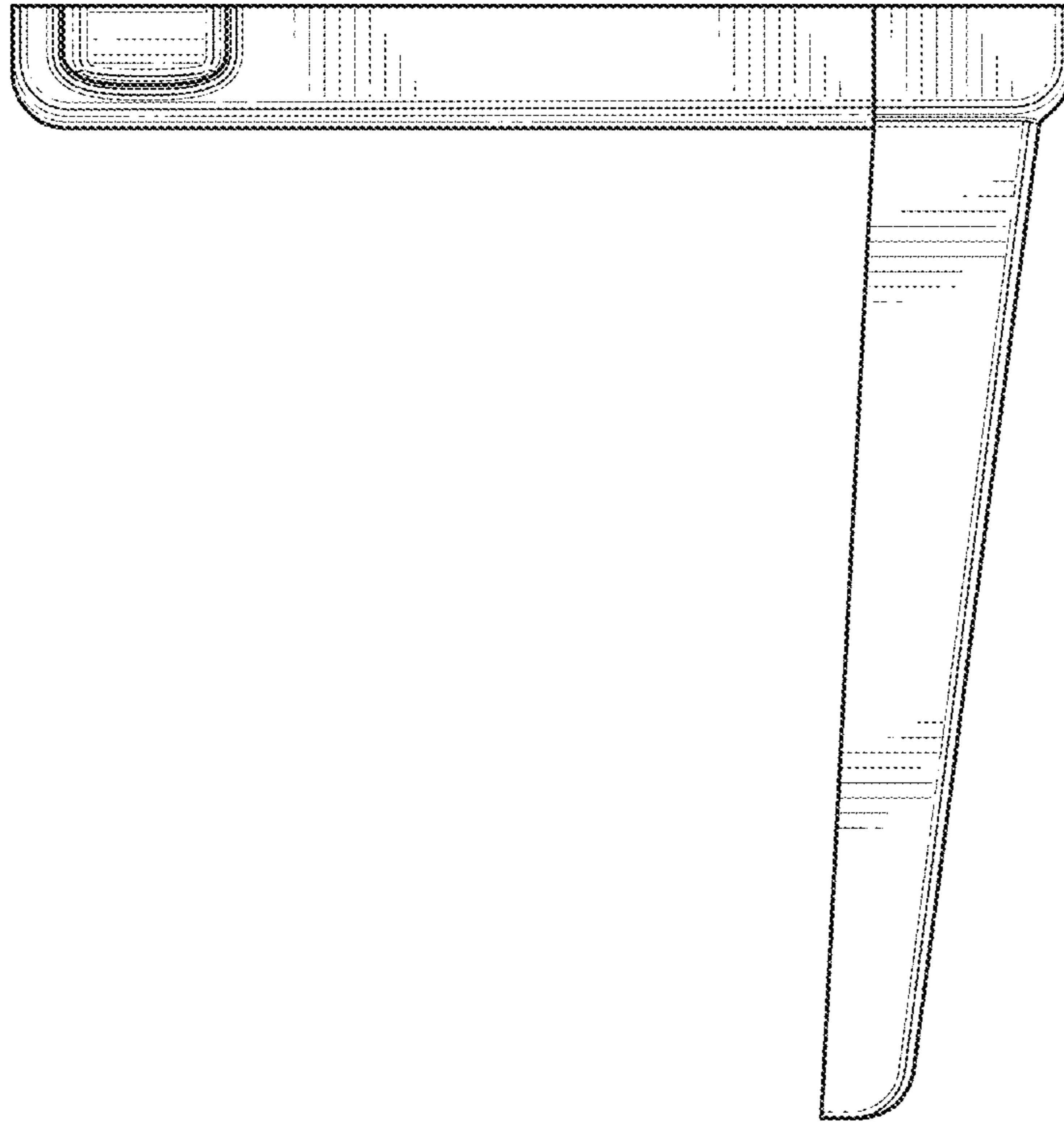


FIG. 5

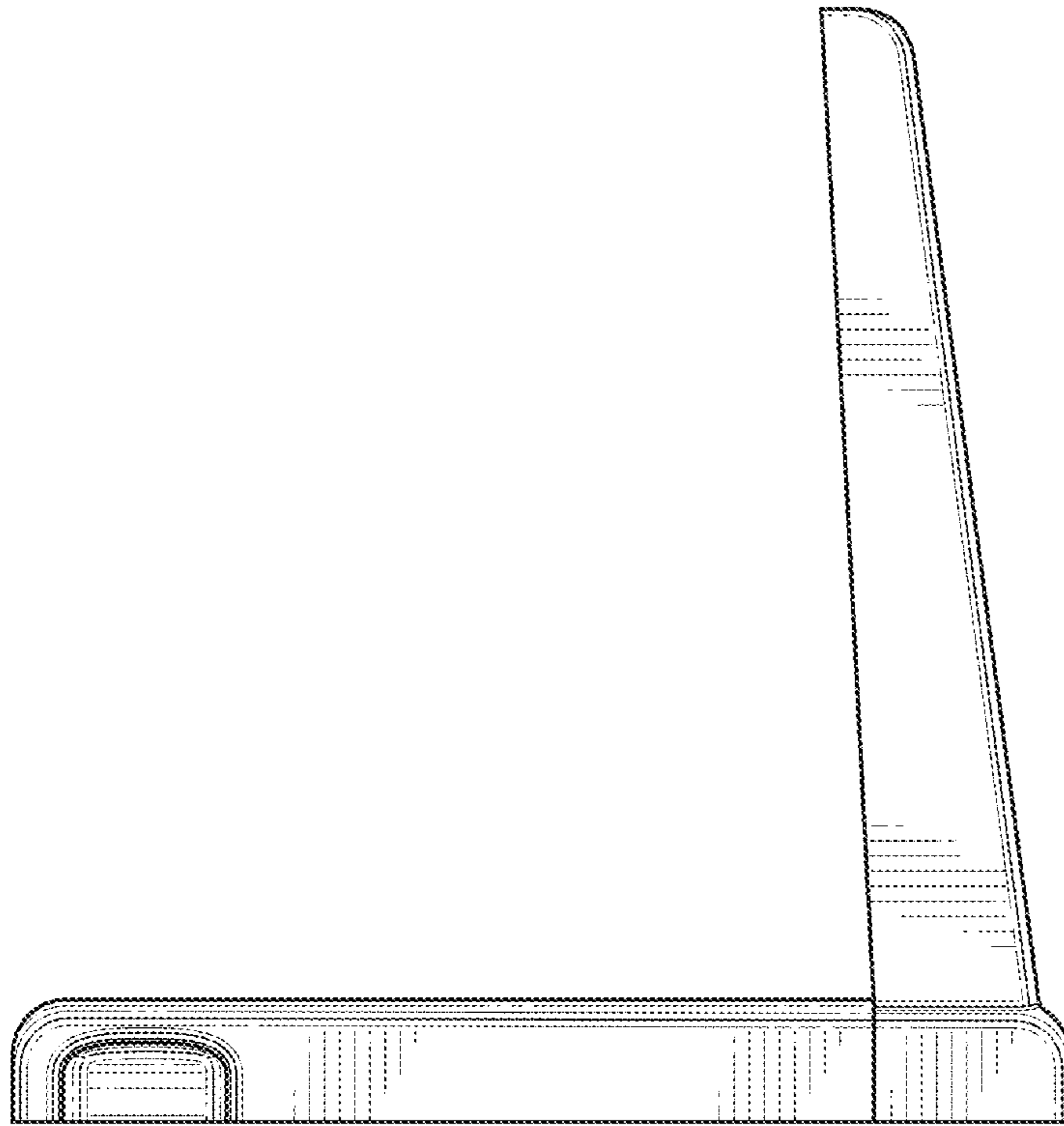


FIG. 4

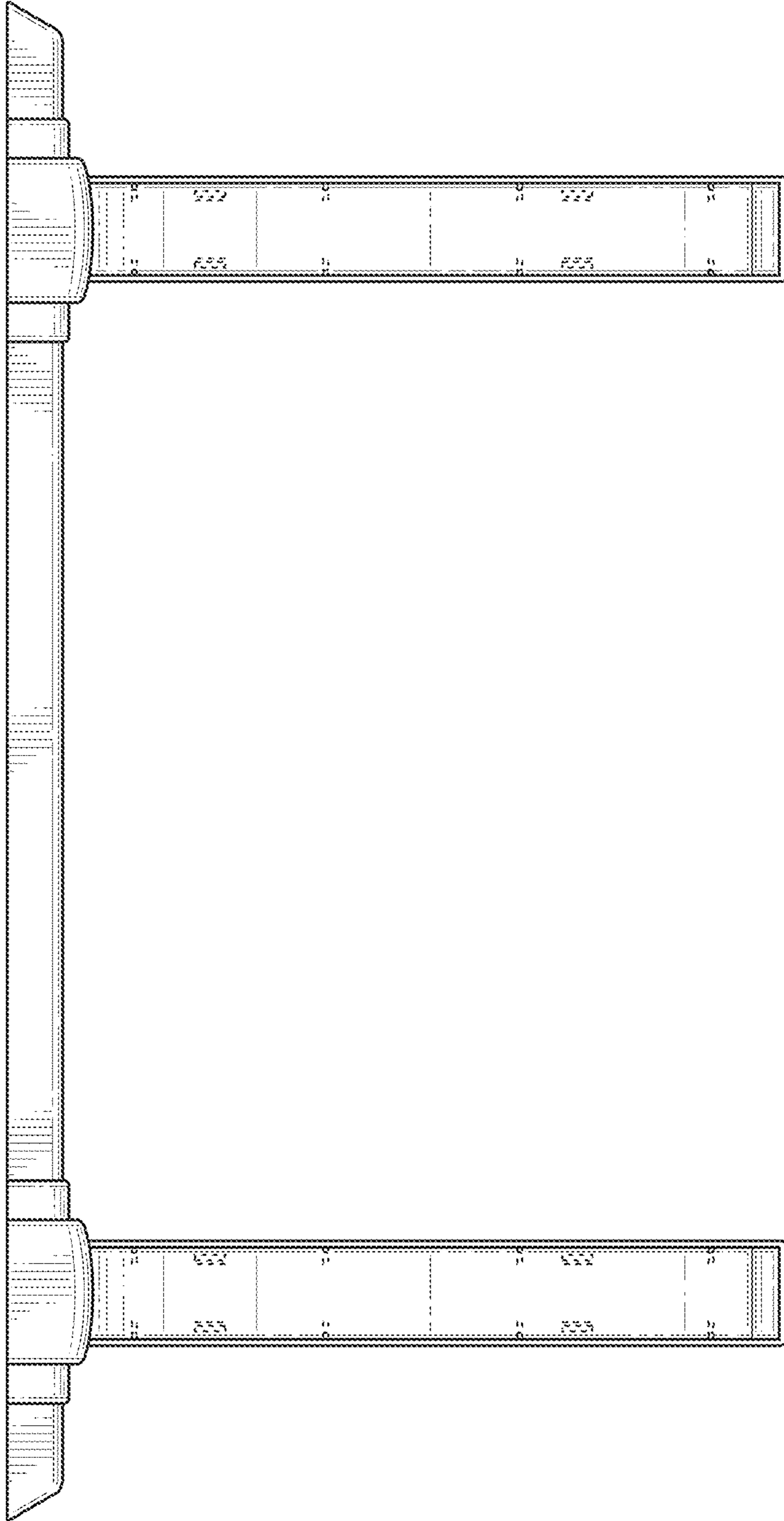


FIG. 6

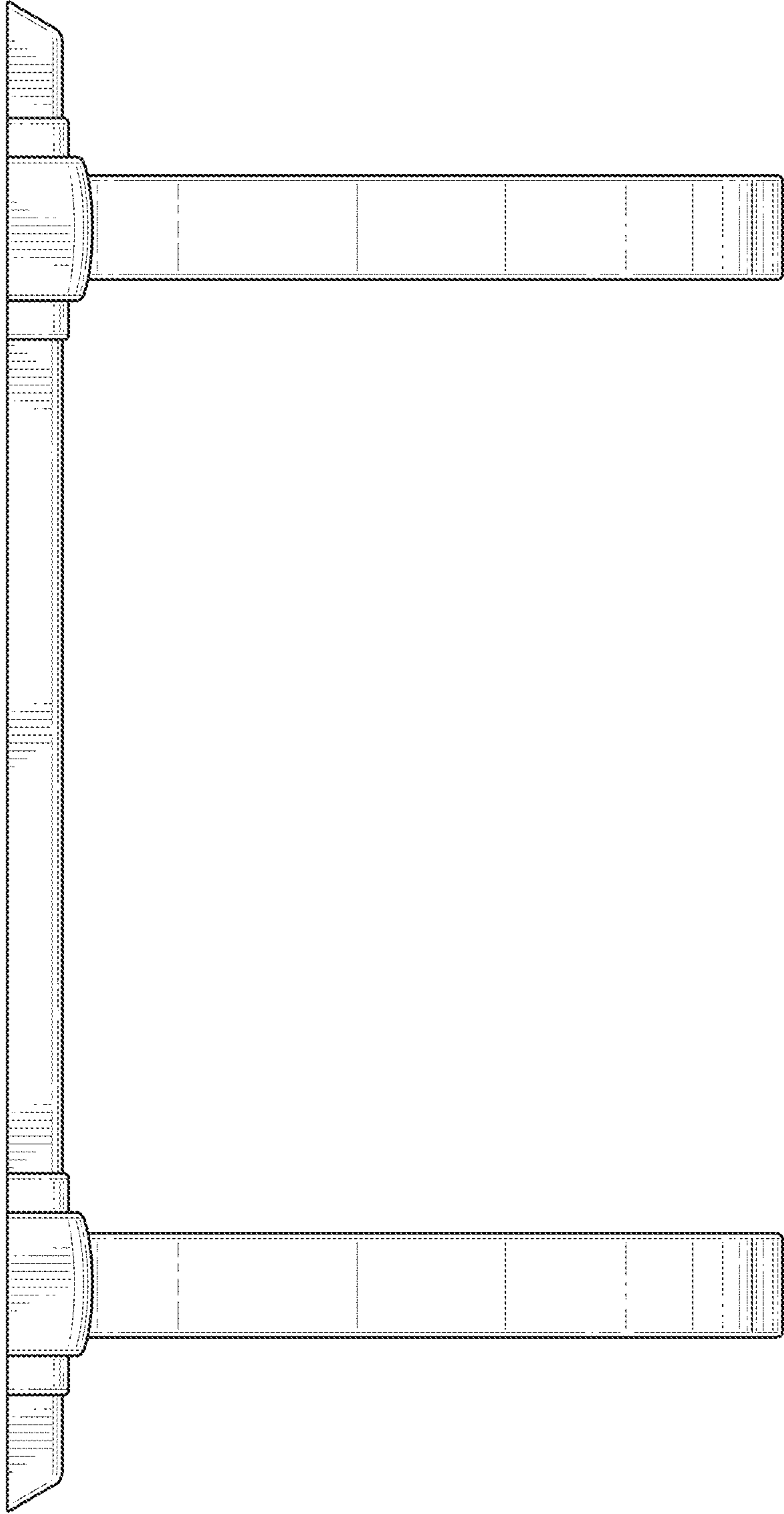


FIG. 7

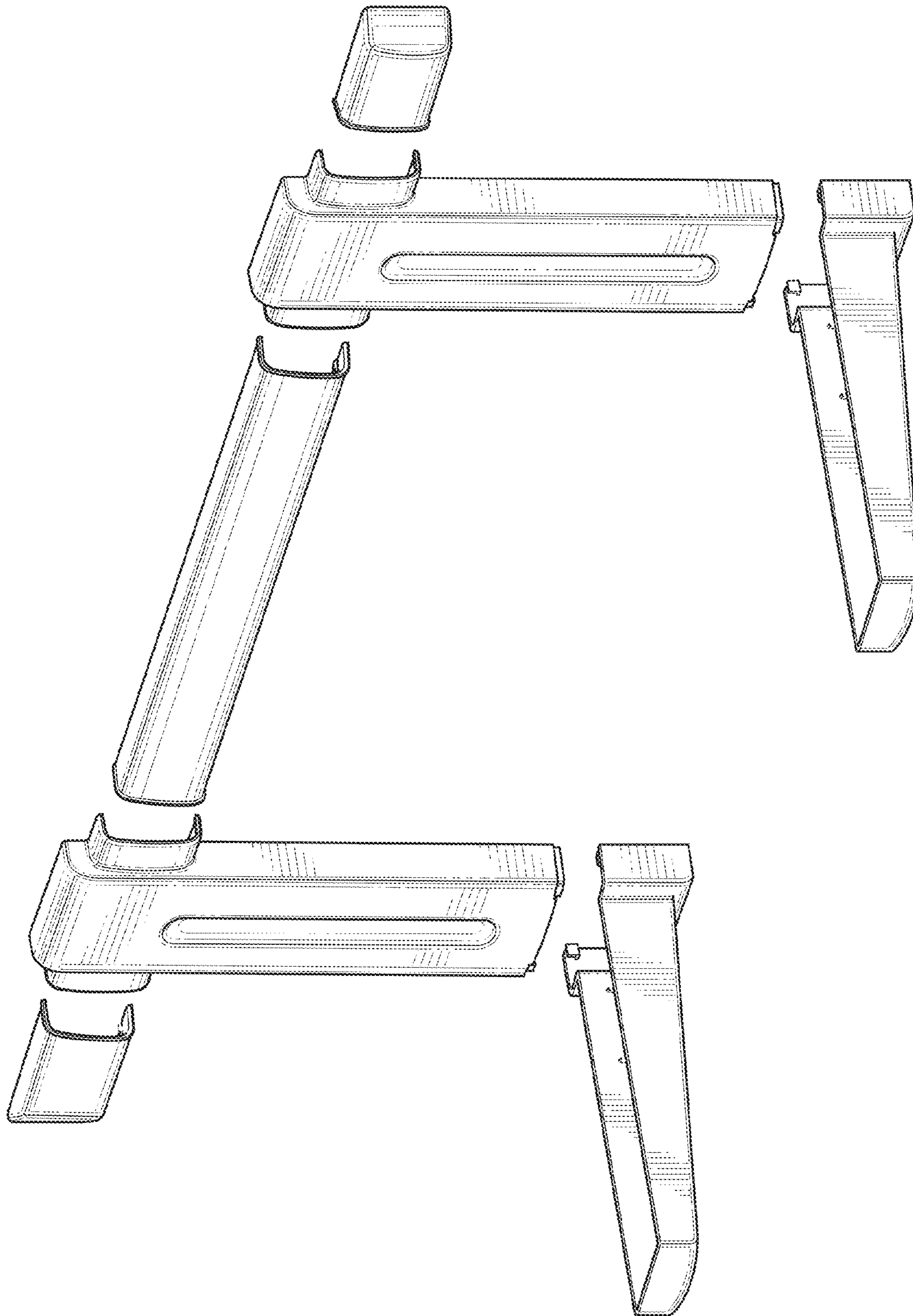


FIG. 8