



US00D874908S

(12) **United States Design Patent** (10) **Patent No.:** **US D874,908 S**
Yue (45) **Date of Patent:** **** Feb. 11, 2020**

(54) **SLIDING DOOR RAIL**
(71) Applicant: **Penson & Co. LLC**, Shanghai (CN)
(72) Inventor: **Jianjun Yue**, Shanghai (CN)
(73) Assignee: **PENSON & CO. LLC**, Shanghai (CN)
(**) Term: **15 Years**
(21) Appl. No.: **29/609,778**
(22) Filed: **Jul. 5, 2017**
(51) **LOC (12) Cl.** **08-05**
(52) **U.S. Cl.**
USPC **D8/377**
(58) **Field of Classification Search**
USPC D8/321, 359, 374, 375, 376, 377, 400,
D8/61, 64, 70, 363, 381, 354, 349, 403,
D8/57, 69, 310; D3/276; D6/587;
D7/318, 393, 600, 622, 705, 624.1, 502,
D7/553.1, 553.2, 553.4, 553.5, 553.6,
D7/554.2, 554.3; D9/531; D14/238, 373,
D14/448, 451, 452; D25/38.1, 41.1, 43,
D25/48.2, 48.3
CPC Y10T 16/10; Y10T 16/104; Y10T 16/124;
Y10T 16/1263; Y10T 16/127; Y10T
16/131; Y10T 16/14; Y10T 16/35; Y10T
16/3543; Y10T 16/37; Y10T 16/376;
Y10T 16/379; Y10T 16/387; Y10T
24/44573; Y10T 29/53543; Y10T
137/6903; Y10T 16/372; Y10T 16/375;
Y10T 16/378; Y10T 16/3797; A47H 1/02
See application file for complete search history.

(56) **References Cited**
U.S. PATENT DOCUMENTS
3,104,865 A * 9/1963 Eichman E04F 11/1812
256/21
8,033,404 B2 * 10/2011 Keller A47F 5/0846
211/94.01

8,695,816 B2 * 4/2014 Troyner A47B 57/402
211/103
9,109,742 B2 * 8/2015 Smith F16M 11/10
9,149,115 B2 * 10/2015 Kasza A47F 5/0846
9,167,917 B2 * 10/2015 Taylor A47F 7/147
D743,952 S * 11/2015 Venghaus D14/238
D748,453 S * 2/2016 Zurn D8/349
9,782,004 B2 * 10/2017 Yu F16M 13/02
9,896,881 B2 * 2/2018 Cheng A47H 1/022
D826,671 S * 8/2018 Clark D8/70
D837,405 S * 1/2019 Greene D25/48.2
2016/0251160 A1 * 9/2016 Hawkes B65G 1/0471
221/124

* cited by examiner

Primary Examiner — Karen E Kearney
Assistant Examiner — Kristin E Reed
(74) *Attorney, Agent, or Firm* — Perkins Coie, LLP

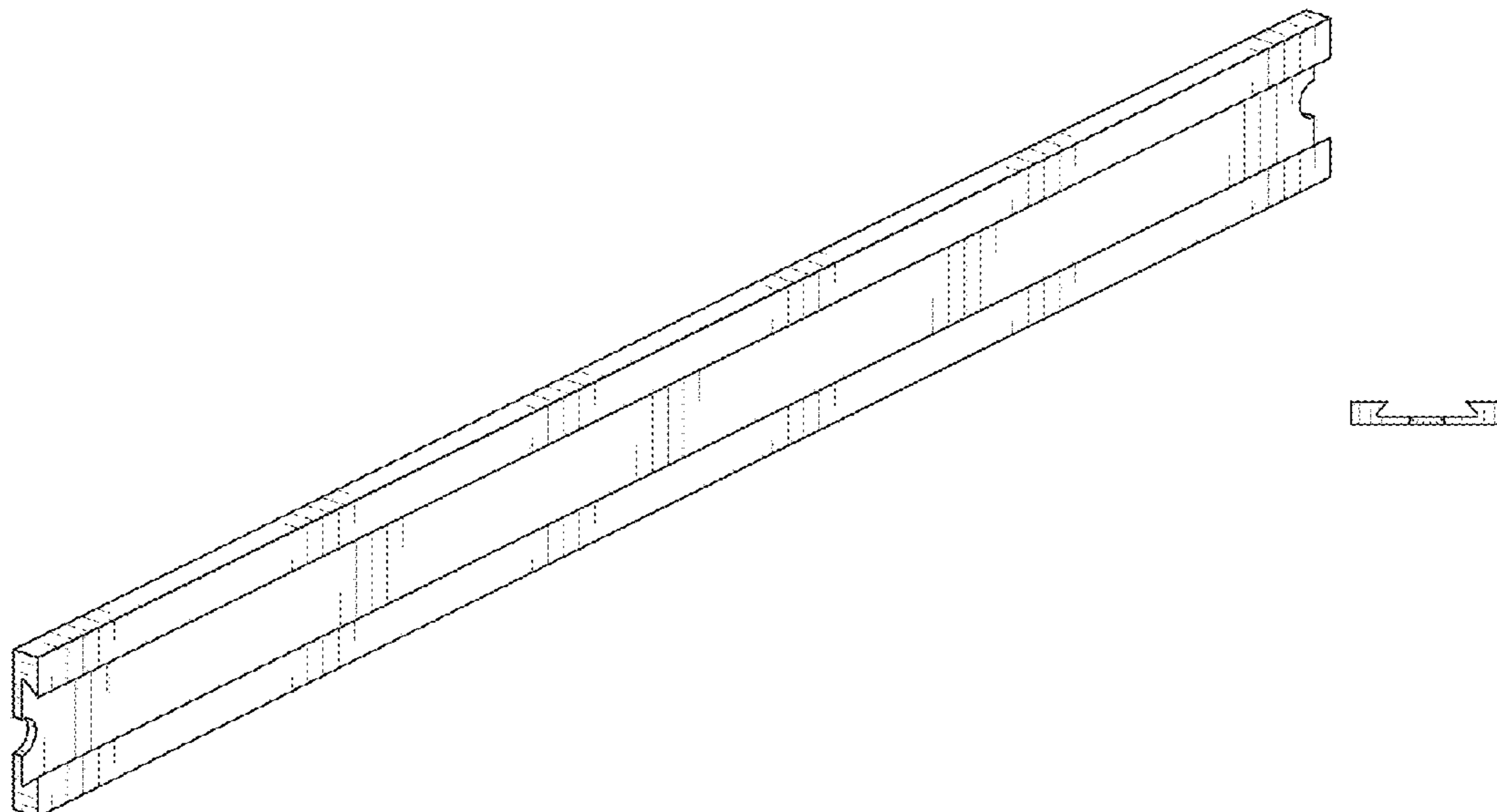
(57) **CLAIM**

The ornamental design for a sliding door rail, as shown and described.

DESCRIPTION

FIG. 1 is a perspective view of a sliding door rail.
FIG. 2 is an alternative perspective view thereof.
FIG. 3 is a front elevational view thereof.
FIG. 4 is a rear elevational view thereof.
FIG. 5 is a right side elevational view thereof.
FIG. 6 is a left side elevational view thereof.
FIG. 7 is a top plan view thereof.
FIG. 8 is a bottom plan view thereof; and,
FIG. 9 illustrates an example environment in which the sliding door rail may be used (e.g., in conjunction with a spacer).
The broken lines shown in FIG. 9 depict an environment of use and form no part of the claimed design.

1 Claim, 5 Drawing Sheets



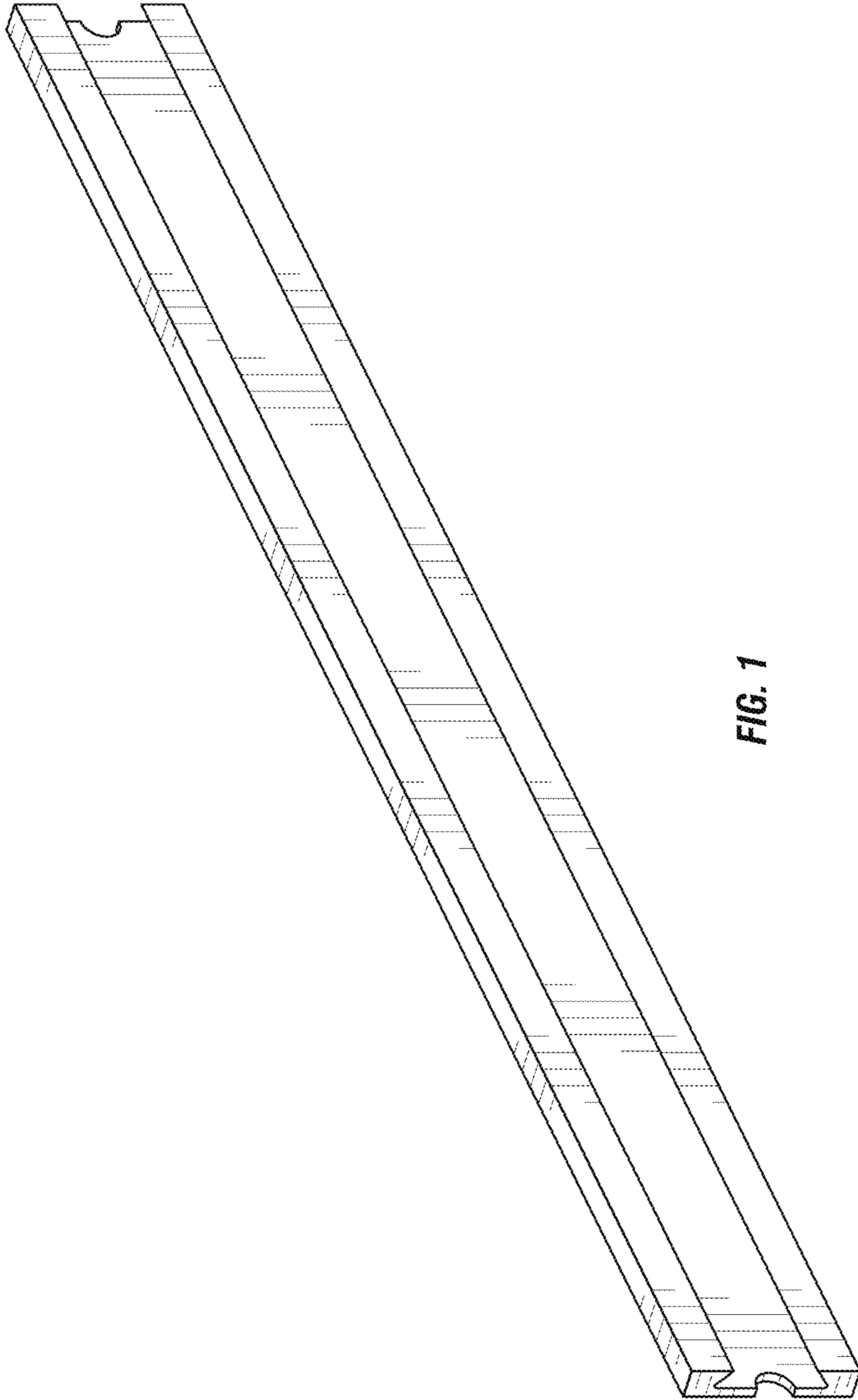


FIG. 1

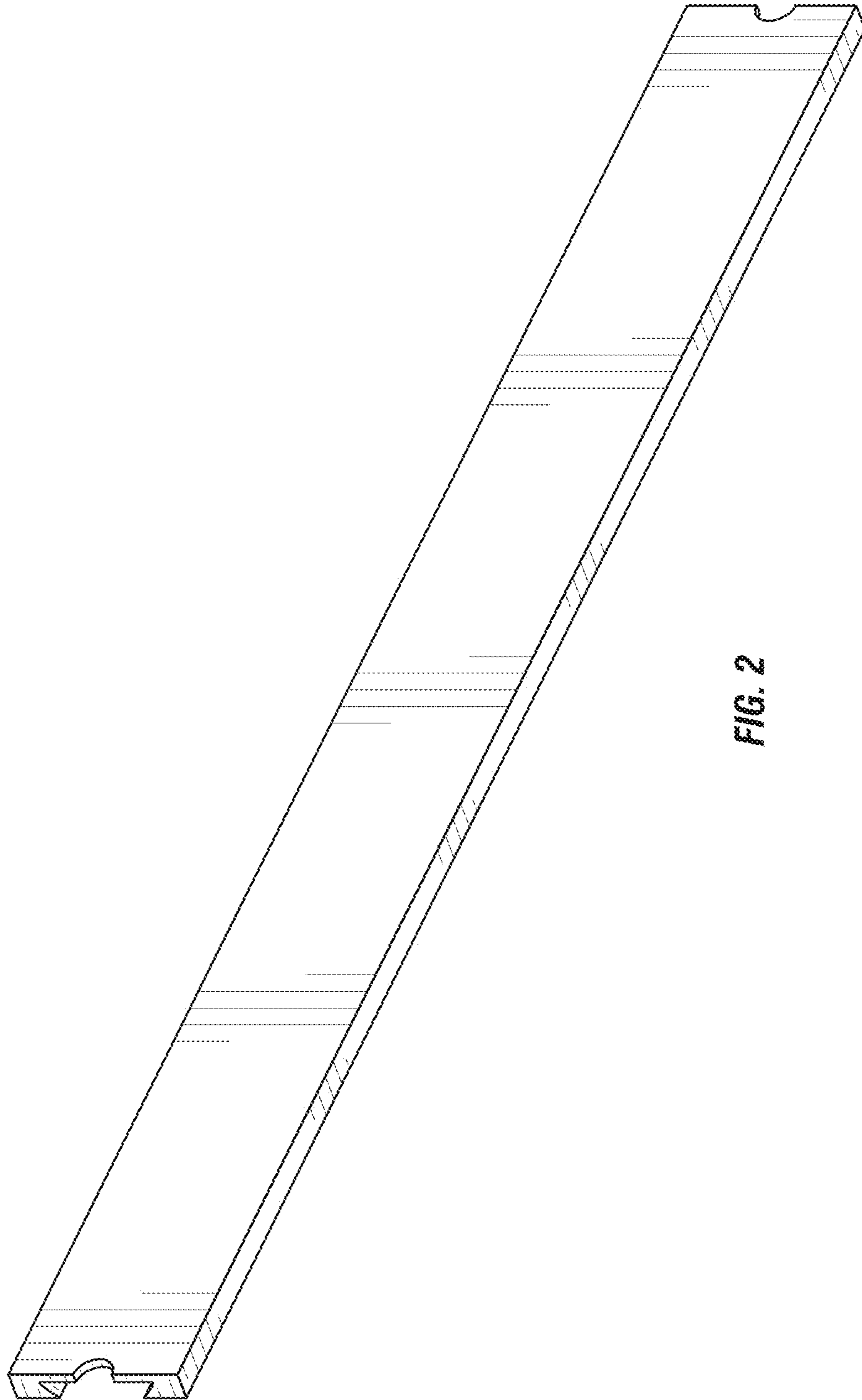


FIG. 2

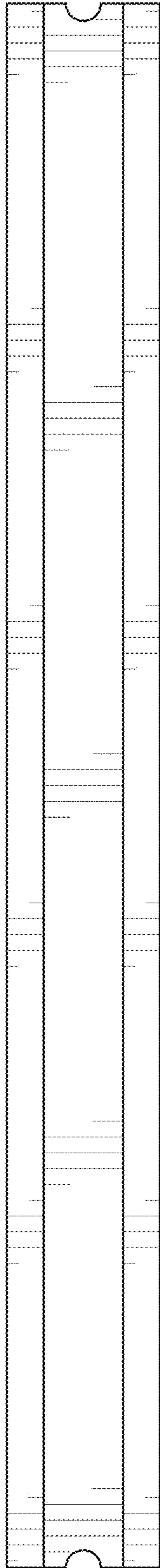


FIG. 3

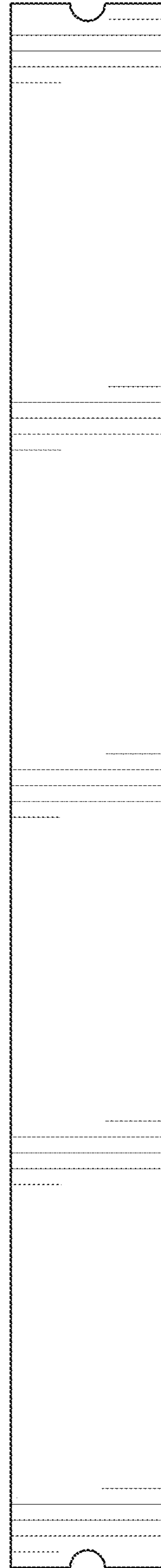


FIG. 4



FIG. 5



FIG. 6



FIG. 7



FIG. 8

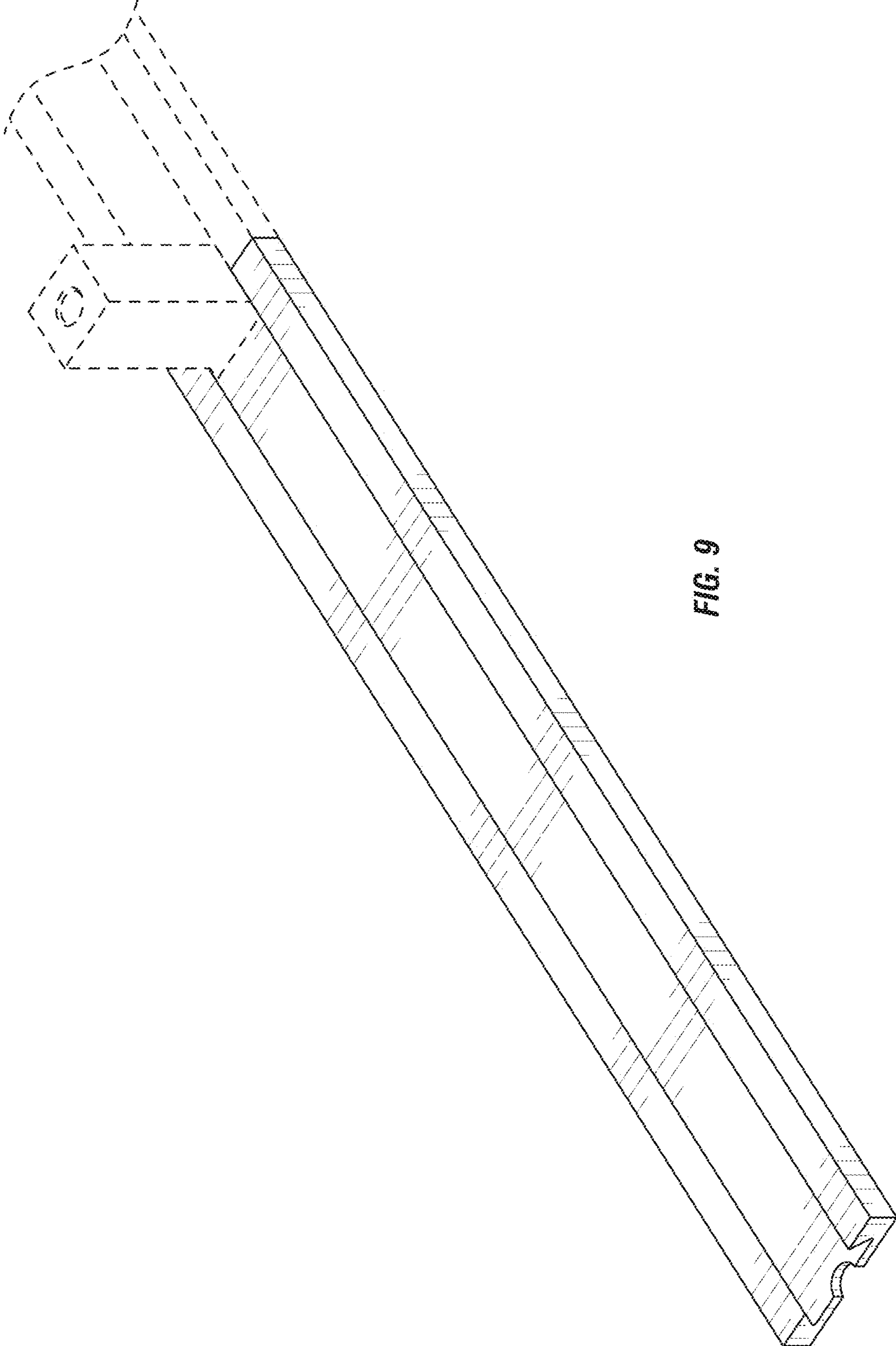


FIG. 9