



US00D874907S

(12) **United States Design Patent** (10) **Patent No.:** **US D874,907 S**
Thuma et al. (45) **Date of Patent:** **** Feb. 11, 2020**

(54) **HOSE REEL**

(71) Applicant: **Suncast Technologies, LLC**, Palm Beach Gardens, FL (US)

(72) Inventors: **Michael Thuma**, La Grange, IL (US); **Torrence Anderson**, Overland Park, KS (US); **Michael Uffner**, Naperville, IL (US); **Michael R. Vogler**, Oswego, IL (US)

(73) Assignee: **Suncast Technologies, LLC**, Palm Beach Gardens, FL (US)

(**) Term: **15 Years**

(21) Appl. No.: **29/611,479**

(22) Filed: **Jul. 21, 2017**

(51) **LOC (12) Cl.** **08-05**

(52) **U.S. Cl.**
USPC **D8/359**

(58) **Field of Classification Search**

USPC D08/373, 358, 359, 354, 71, 330, 336, D08/351, 356, 360.1, 363, 364, 367, 370, D08/372, 379, 381, 382, 395, 396; D06/349, 352; D09/426, 502, 750; D10/72, 73, 89; D11/79, 93; D13/103, D13/107; D19/67; D21/673, 674, 675, D21/839, 840; D25/19, 62, 68, 69; D26/40, 49; D29/122, 124; D30/153, D30/155

CPC B65H 75/40; B65H 75/4407; B65H 75/4471; B65H 2701/34; B65H 2701/32; B65H 2511/142; B65H 29/008; B65H 2701/33; B65H 54/585; B65H 51/22; B65H 75/08; B65H 75/02; B65H 2301/41485; B65H 75/4468; B65H 2301/414323; B65H 2301/414325; B65H 16/02; B65H 2301/4131; B65H 75/441; B65H 75/403; B65D 85/66; B65D 85/67; B66D 3/006;

(Continued)

(56) **References Cited**

U.S. PATENT DOCUMENTS

6,050,291 A * 4/2000 Whitehead B65H 75/40
137/355.16
D702,537 S * 4/2014 Hyp D8/359
(Continued)

OTHER PUBLICATIONS

Suncast > 100 ft. Hideaway Hose Reel, posted as early as Mar. 10, 2015, [retrieved Jul. 22, 2019]. Retrieved from Internet, <URL: <https://www.homedepot.com/p/Suncast-100-ft-Hideaway-Hose-Reel-CPLPPJ100DT/205674769> >.*

(Continued)

Primary Examiner — Karen E Kearney

Assistant Examiner — Kristin E Reed

(74) *Attorney, Agent, or Firm* — McHale & Slavin, P.A.

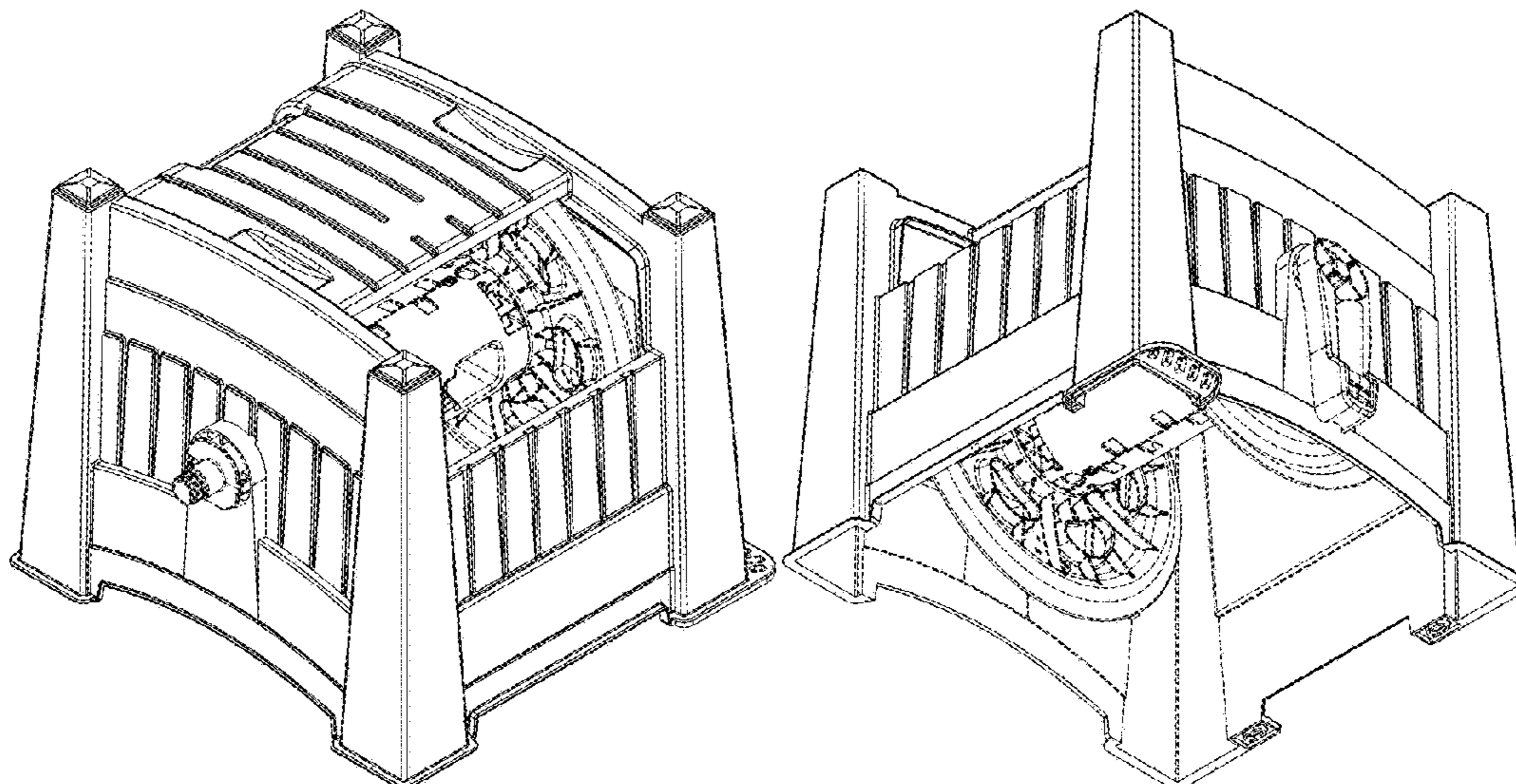
(57) **CLAIM**

The ornamental design for a hose reel, as shown and described.

DESCRIPTION

FIG. 1 is a top, left, front perspective view of a hose reel of the present invention;
FIG. 2 is a left side view thereof;
FIG. 3 is a right side view thereof;
FIG. 4 is a front view thereof;
FIG. 5 is a rear view thereof;
FIG. 6 is a top view thereof;
FIG. 7 is a bottom view thereof;
FIG. 8 is a top right front perspective view thereof;
FIG. 9 is a bottom right front perspective view thereof; and,
FIG. 10 is a bottom left front perspective view thereof.
The broken lines shown in the drawings depict portions of hose reel that form no part of the claimed design.

1 Claim, 10 Drawing Sheets



(58) **Field of Classification Search**

CPC ... B66D 3/18; B66D 3/26; B66D 3/02; B66D 3/14; B63B 21/18; B63B 21/26; B65B 57/005; A61G 7/1051; A61G 7/1061; B66B 11/08; A62C 33/04; B08B 2203/0276; B21C 47/28; H02G 11/02; A01K 89/003; H04M 1/15; A01D 34/822; A47L 9/26; H04R 1/1033; Y10S 24/909; E05C 19/10; E05C 17/50; E05C 3/045; E05C 3/30; E05C 19/02; E05C 19/026; A47G 25/0614; A47G 25/18; A47G 25/32; A47G 7/047; A47G 7/045; A47G 7/042; A47G 7/044; F16B 12/44; F16B 12/46; F16B 5/0614; F16B 12/02; E04B 1/2612; E04B 2001/2415; E04B 1/5818; E04B 1/5831; A47B 88/0055; E04F 11/1812; F16L 1/0246; A01G 9/024; A01G 25/14; A01G 27/001; A01G 9/042; A01G 27/005; A01G 31/001; A01G 9/02; A01G 9/083; A01G 9/12

See application file for complete search history.

(56)

References Cited

U.S. PATENT DOCUMENTS

D724,414	S	*	3/2015	Marshall	D8/359
D748,883	S	*	2/2016	Fischer, Jr.	D34/25
D761,090	S	*	7/2016	Anderson	D8/359
D761,091	S	*	7/2016	Anderson	D8/359
D777,017	S	*	1/2017	Anderson	D8/359
D801,154	S	*	10/2017	Thuma	D8/359
9,783,389	B2	*	10/2017	Blaszczak	B65H 75/40
D817,156	S	*	5/2018	Thuma	D8/359
2007/0187543	A1	*	8/2007	Rosine	B65H 75/38 242/406
2018/0030659	A1	*	2/2018	Chung	B65D 5/0005

OTHER PUBLICATIONS

Item # 373446, Model # 2398800, True Temper Plastic 175-ft Hideaway Hose Reel, posted as early as Apr. 10, 2012, [retrieved Jul. 22, 2019]. Retrieved from Internet, <URL: <https://www.lowes.com/pd/True-Temper-Plastic-175-ft-Hideaway-Hose-Reel/3606336>>.*

* cited by examiner

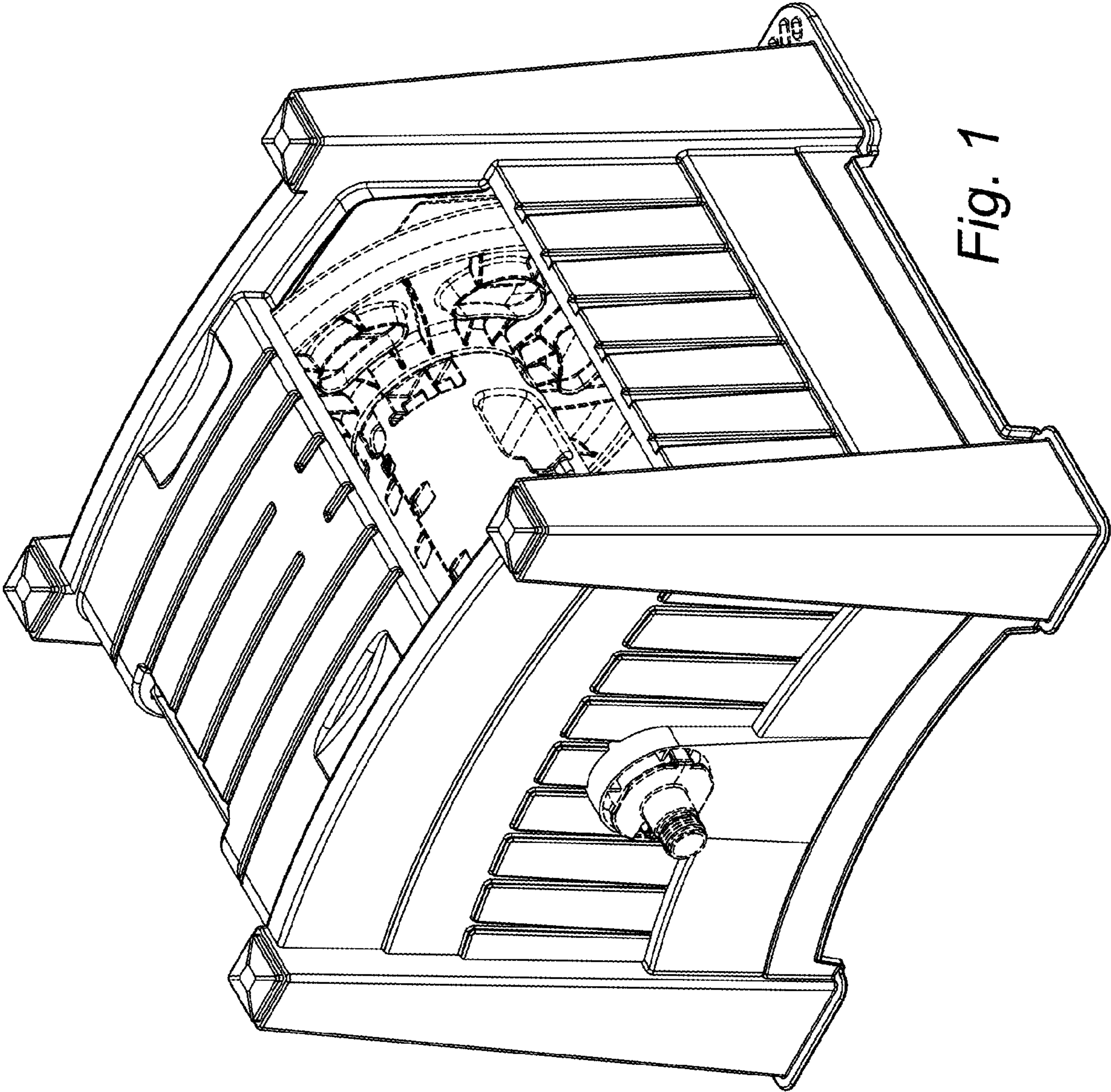


Fig. 1

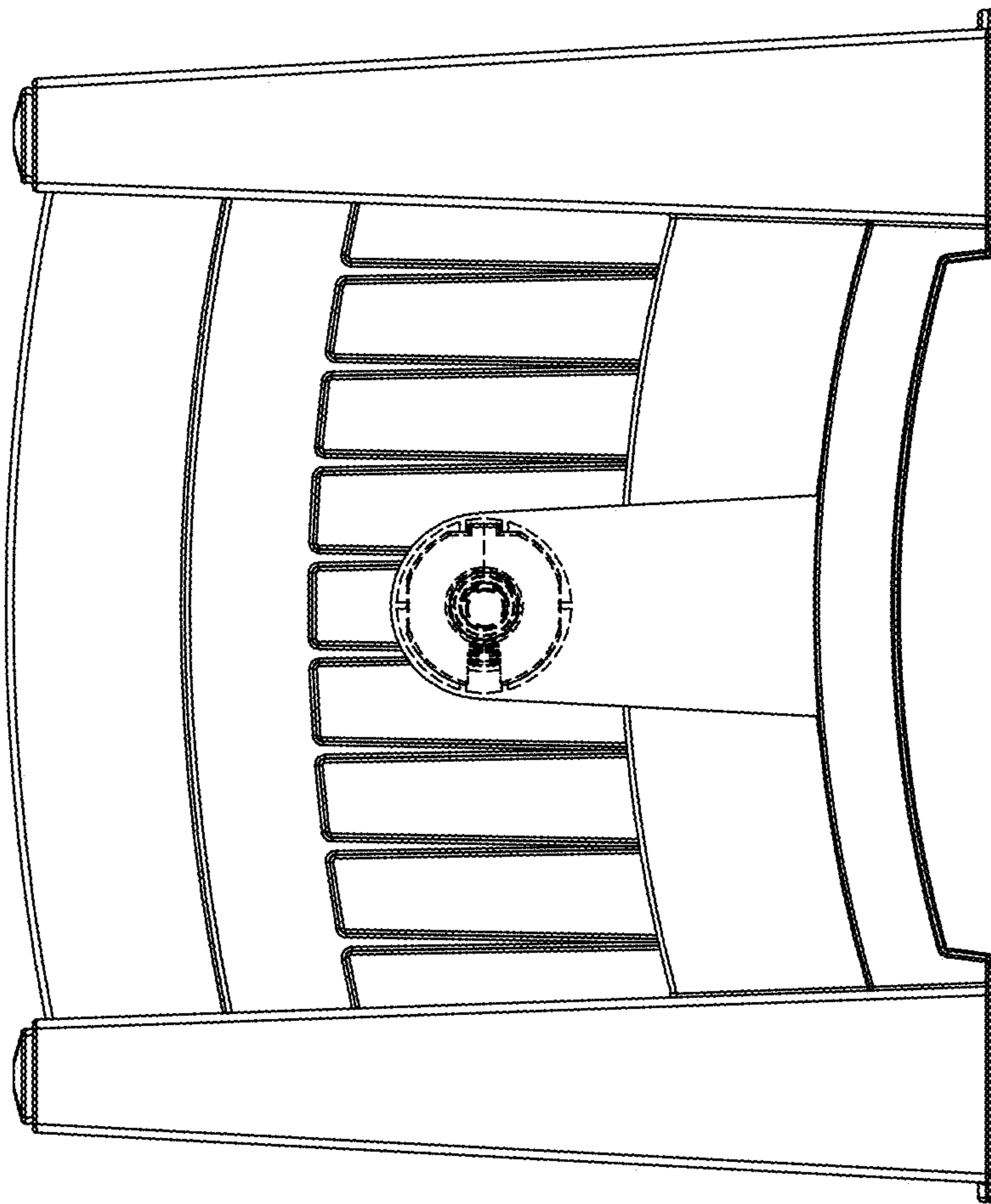


Fig. 2

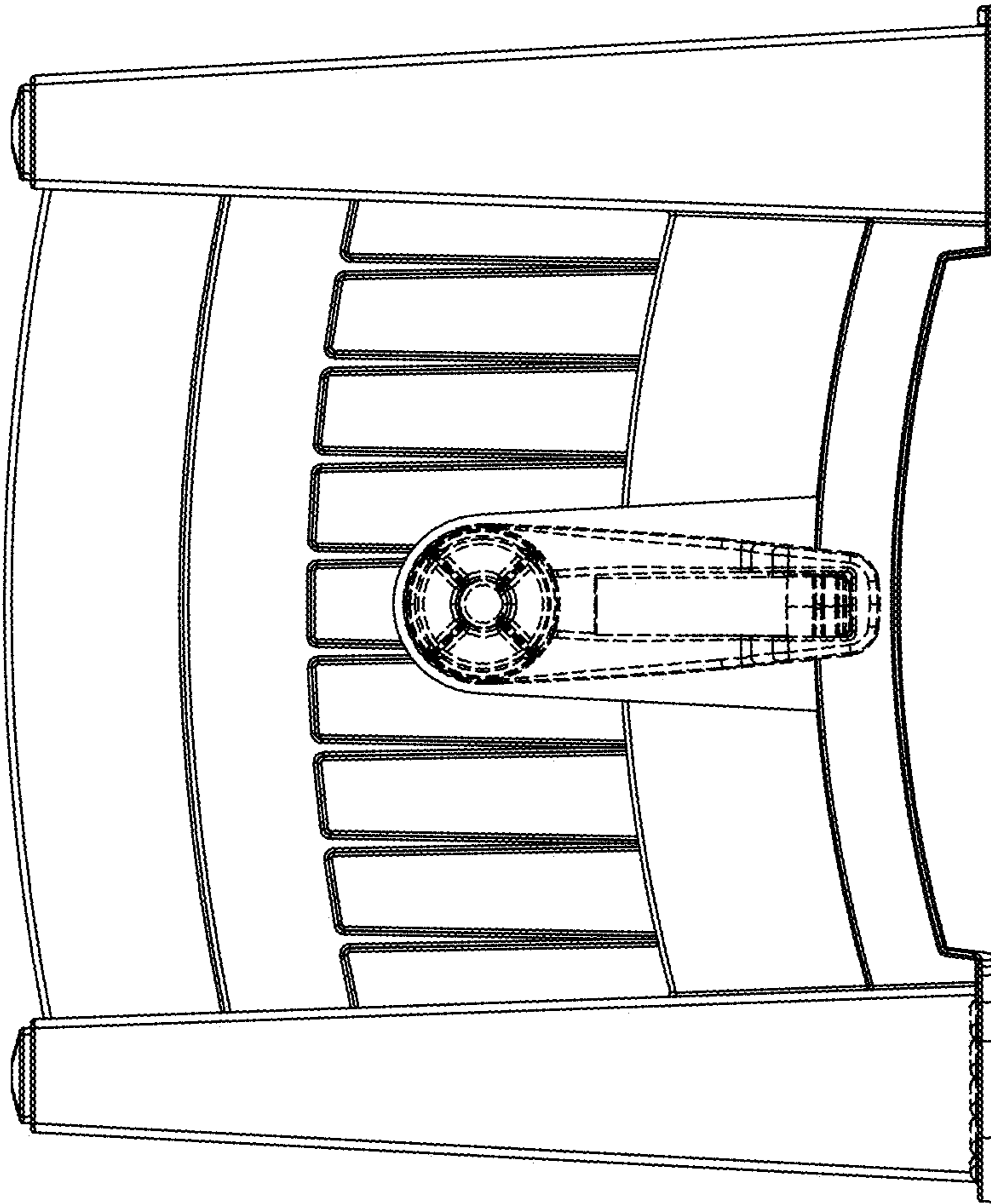


Fig. 3

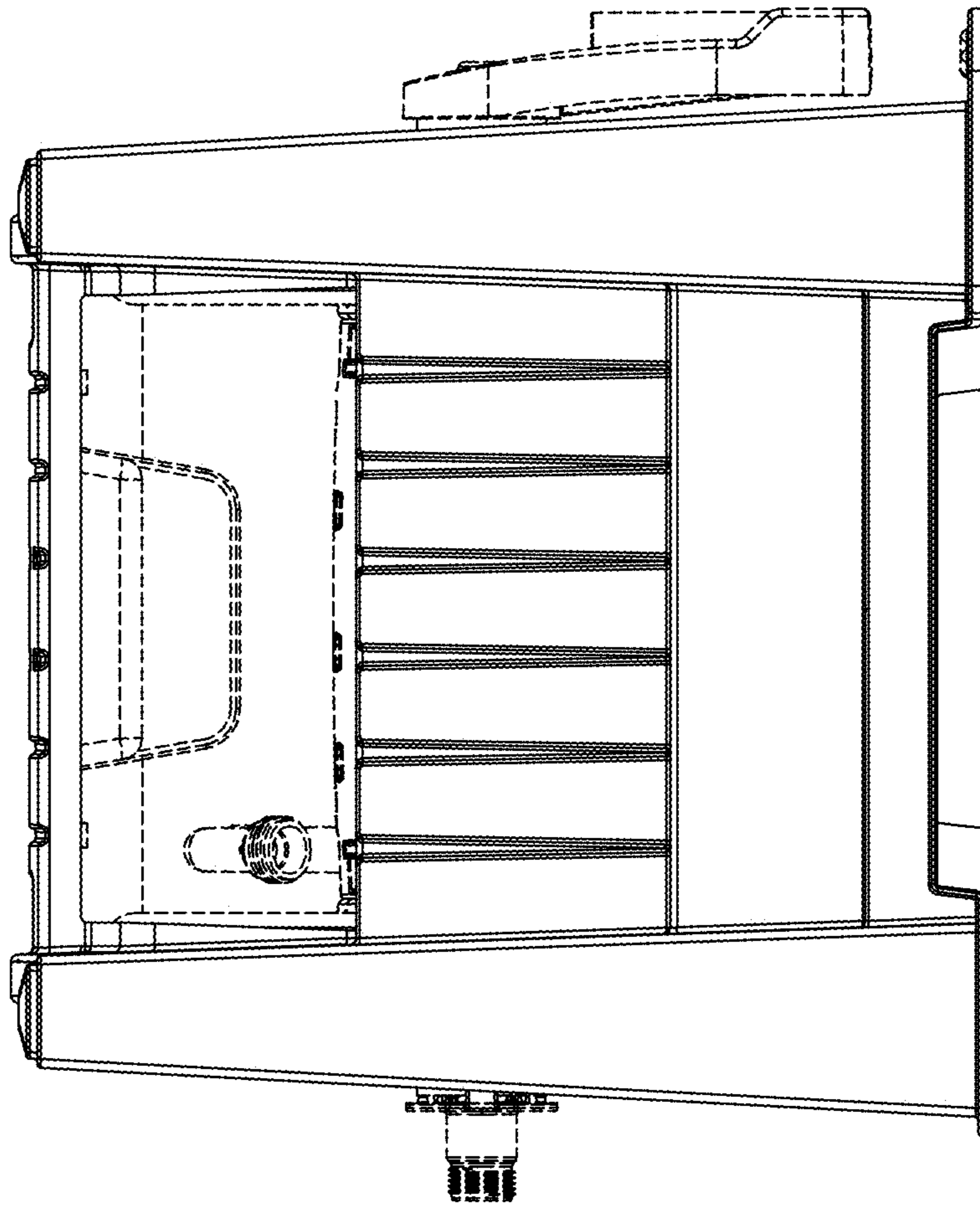


Fig. 4

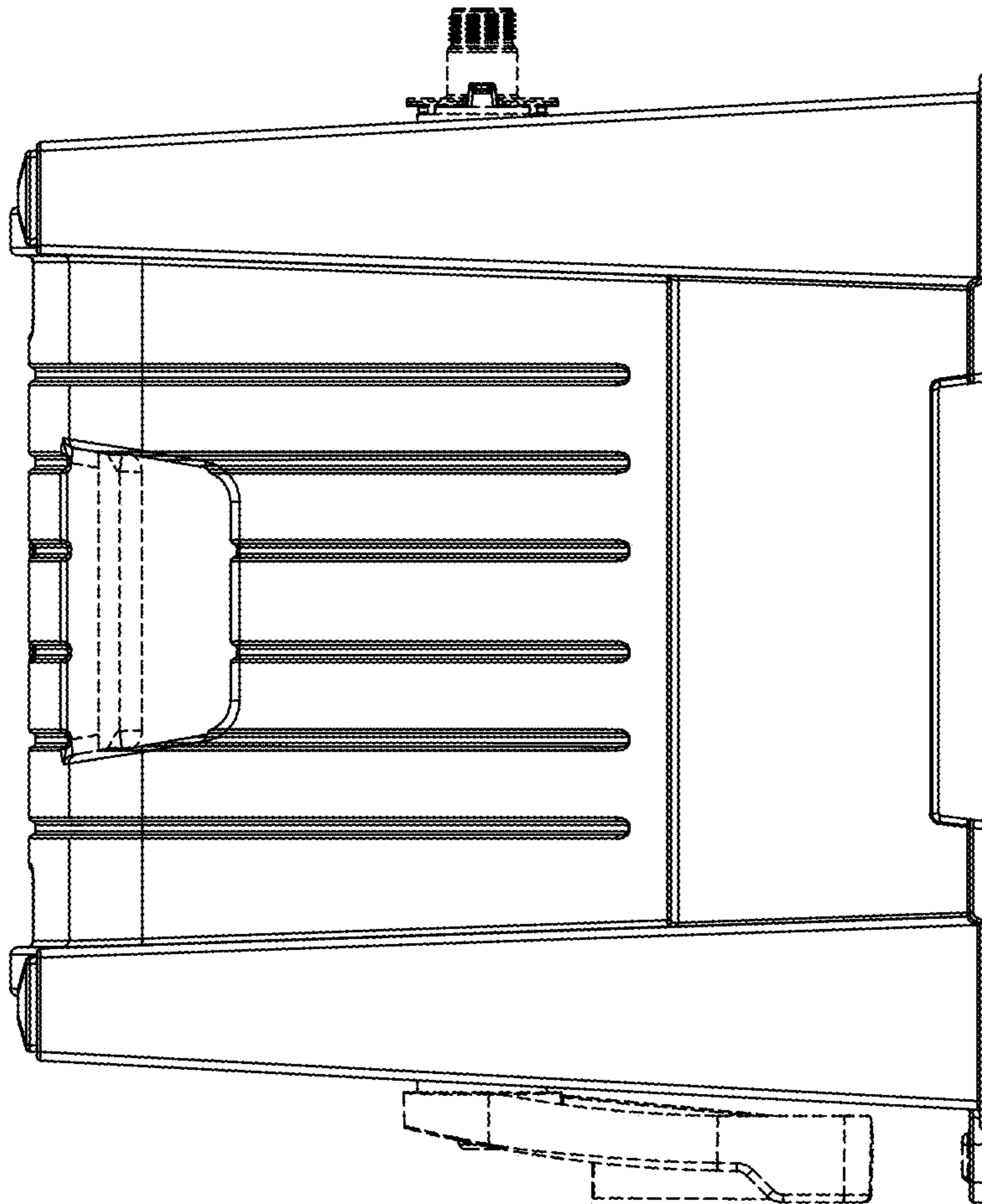


Fig. 5

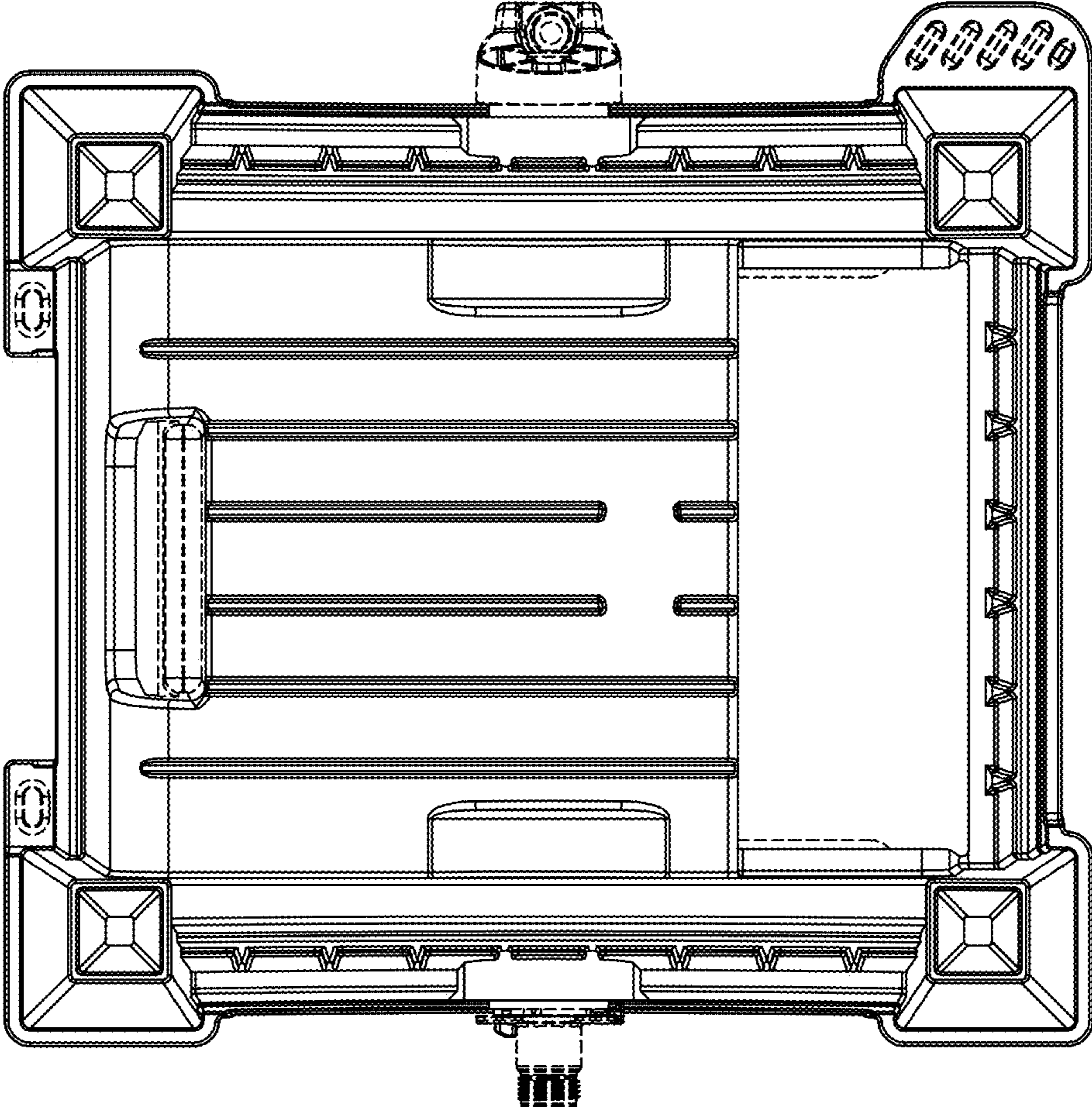


Fig. 6

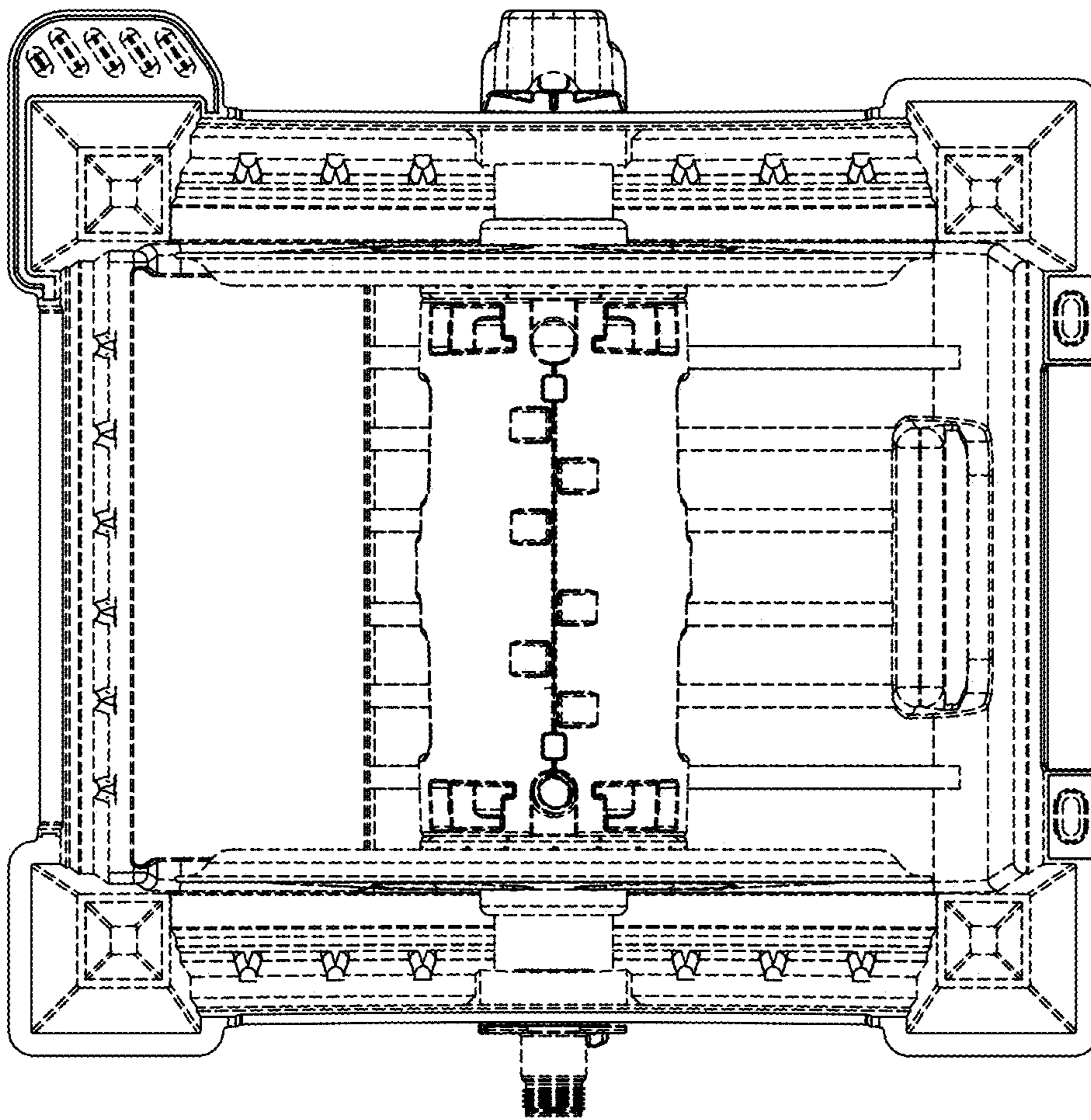


Fig. 7

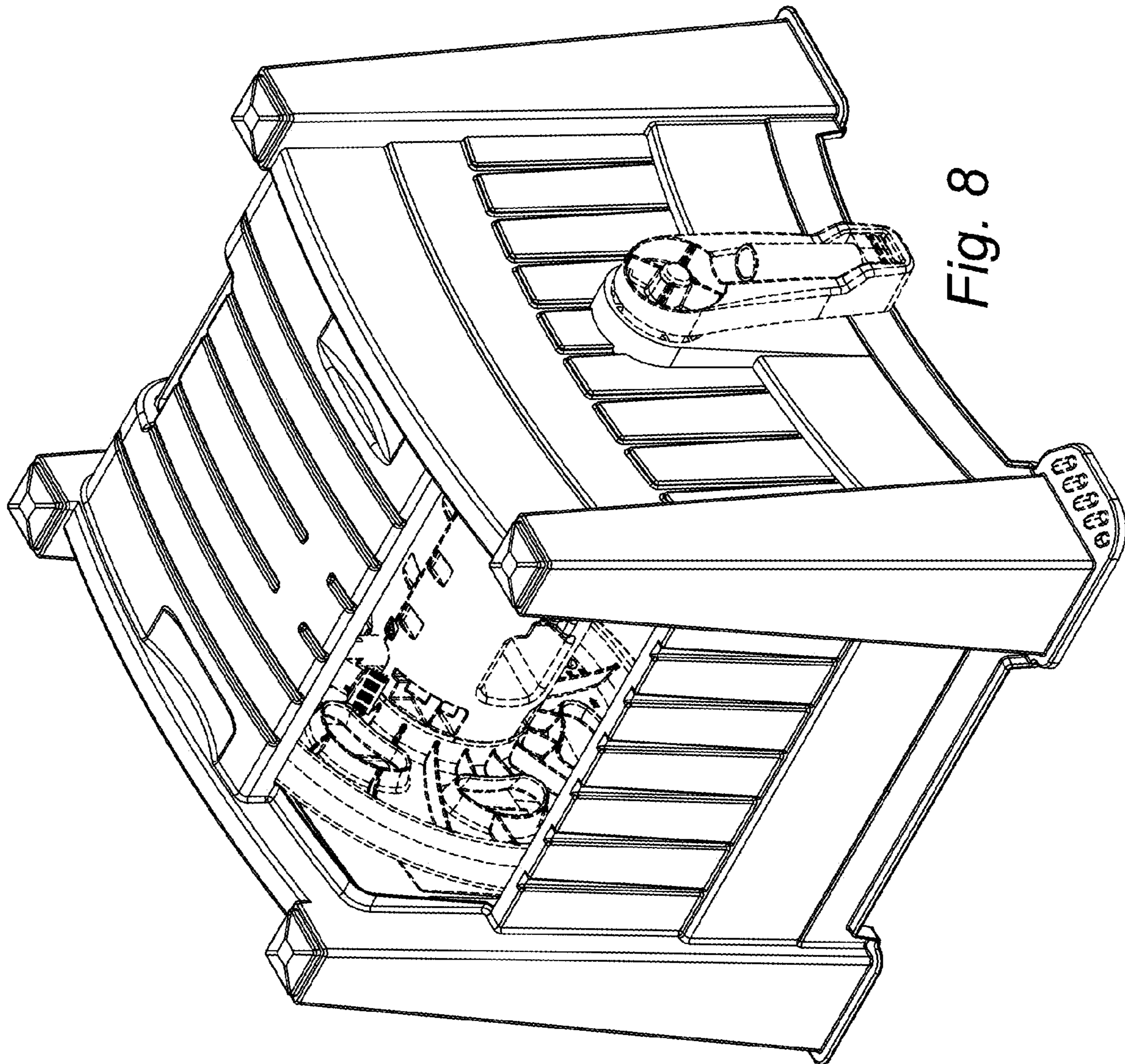


Fig. 8

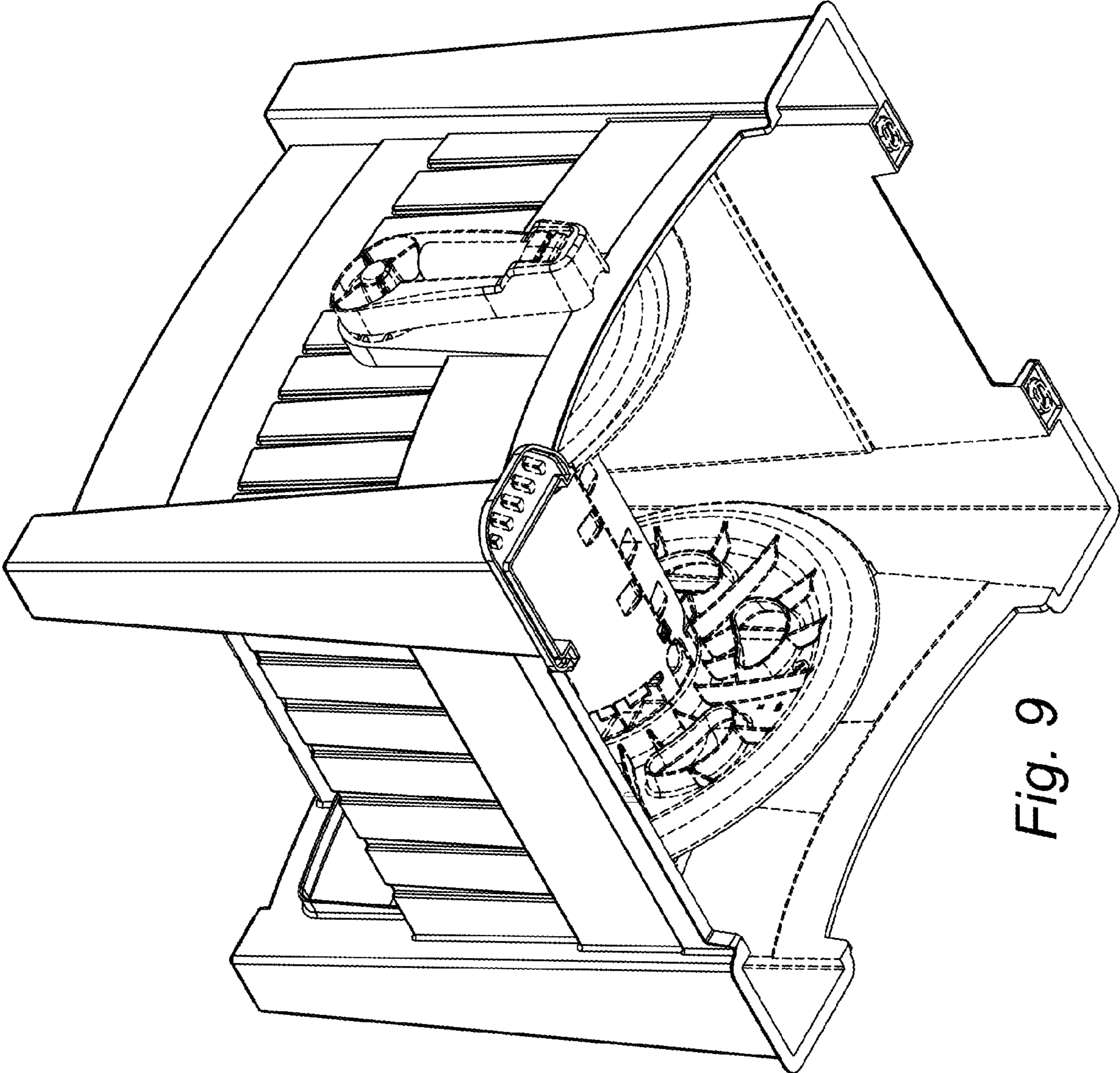


Fig. 9

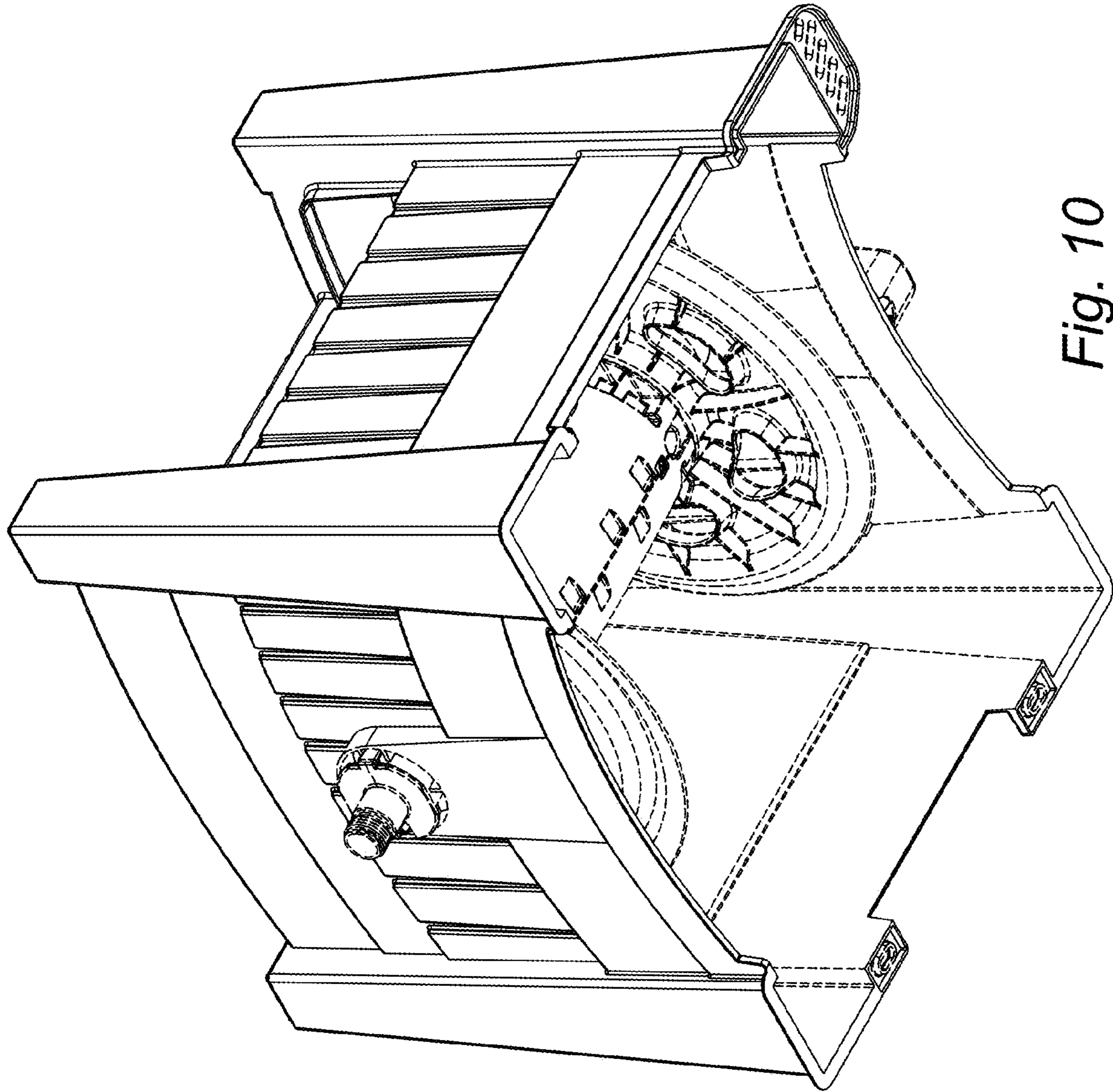


Fig. 10