



US00D874903S

(12) **United States Design Patent** (10) **Patent No.:** **US D874,903 S**
Tao (45) **Date of Patent:** **** Feb. 11, 2020**

(54) **FRAME**
(71) Applicant: **Dongan Electric Manufacturing Company, Philadelphia, PA (US)**
(72) Inventor: **Hai Tao, Philadelphia, PA (US)**
(73) Assignee: **Dongan Electric Manufacturing Company, Philadelphia, PA (US)**
(**) Term: **15 Years**
(21) Appl. No.: **29/644,609**
(22) Filed: **Apr. 19, 2018**
(30) **Foreign Application Priority Data**
Oct. 20, 2017 (CN) 2017 1 0982631
(51) **LOC (12) Cl.** **08-05**
(52) **U.S. Cl.**
USPC **D8/354**
(58) **Field of Classification Search**
USPC D8/349, 354; D13/110, 112, 118-122, D13/184; D25/119-125, 164, 199; D6/702, 705, 705.6, 705.7, 706, 712
CPC . A47B 47/00; A47B 47/0008; A47B 47/0016; A47B 47/0025; A47B 47/0033; A47B 47/0041; A47B 47/005; A47B 47/0058; A47B 47/02; A47B 47/021; A47B 47/027
See application file for complete search history.

(56) **References Cited**
U.S. PATENT DOCUMENTS
3,877,138 A * 4/1975 Suchowski A47B 47/0008 29/468
4,473,315 A * 9/1984 Latchinian A47B 47/0008 403/172
D489,830 S * 5/2004 Barnett D25/119
D503,645 S * 4/2005 Wirth D25/121

7,383,670 B1 * 6/2008 Meyers E04F 13/081 D25/119
D618,992 S * 7/2010 Rix D8/354
D673,028 S * 12/2012 Apesteguia Martinez D8/349
D686,057 S * 7/2013 Castellano D8/349
D706,321 S * 6/2014 Oetlinger D8/354
D715,339 S * 10/2014 Oetlinger D8/354
D747,128 S * 1/2016 Chang D25/124
D750,143 S * 2/2016 Oetlinger D15/138
2005/0082239 A1 * 4/2005 Laurosch A47B 47/027 211/26
2007/0052333 A1 * 3/2007 Freire A47B 47/005 312/265.4
2013/0069501 A1 * 3/2013 Liu A47B 47/0008 312/223.1

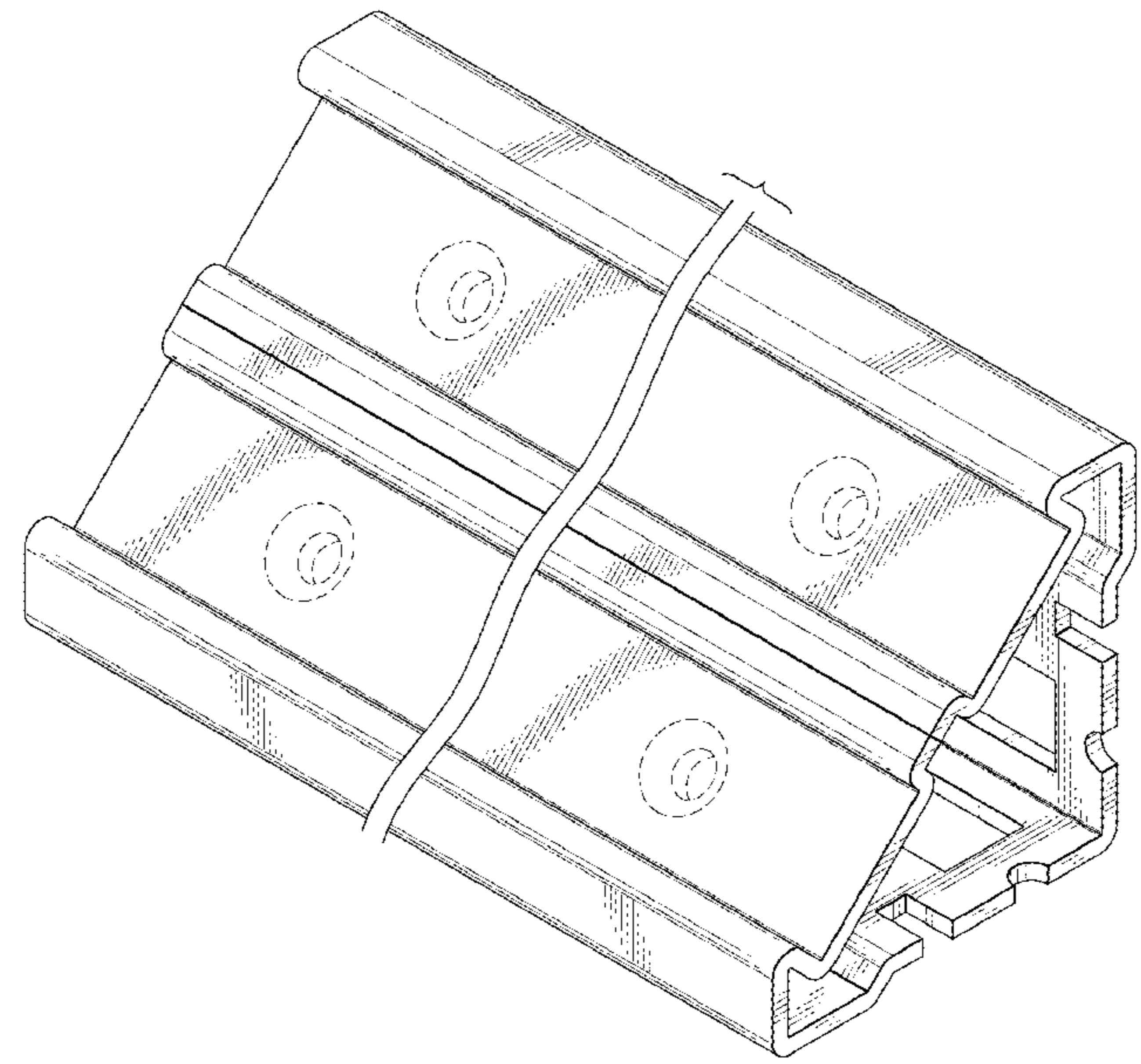
(Continued)

Primary Examiner — Cynthia Ramirez
Assistant Examiner — L. Martinez
(74) *Attorney, Agent, or Firm* — Burriss Law, PLLC

(57) **CLAIM**
The ornamental design for a frame, as shown and described.

DESCRIPTION
FIG. 1 is a perspective view of a frame showing my new design;
FIG. 2 is a front elevational view thereof;
FIG. 3 is a rear elevational view thereof;
FIG. 4 is a left side elevational view thereof;
FIG. 5 is a right side elevational view thereof;
FIG. 6 is a top plan view thereof;
FIG. 7 is a bottom plan view thereof;
FIG. 8 is another perspective view thereof; and,
FIG. 9 is yet another perspective view thereof.
The broken lines in the drawings represent portions of the frame that form no part of the claimed design.
The frame is shown with a symbolic break in its length. The appearance of any portion of the frame between the break lines forms no part of the claimed design.

1 Claim, 9 Drawing Sheets



(56)

References Cited

U.S. PATENT DOCUMENTS

2018/0375302 A1* 12/2018 Reuter H02B 1/013
2019/0116972 A1* 4/2019 Tao A47B 47/005

* cited by examiner

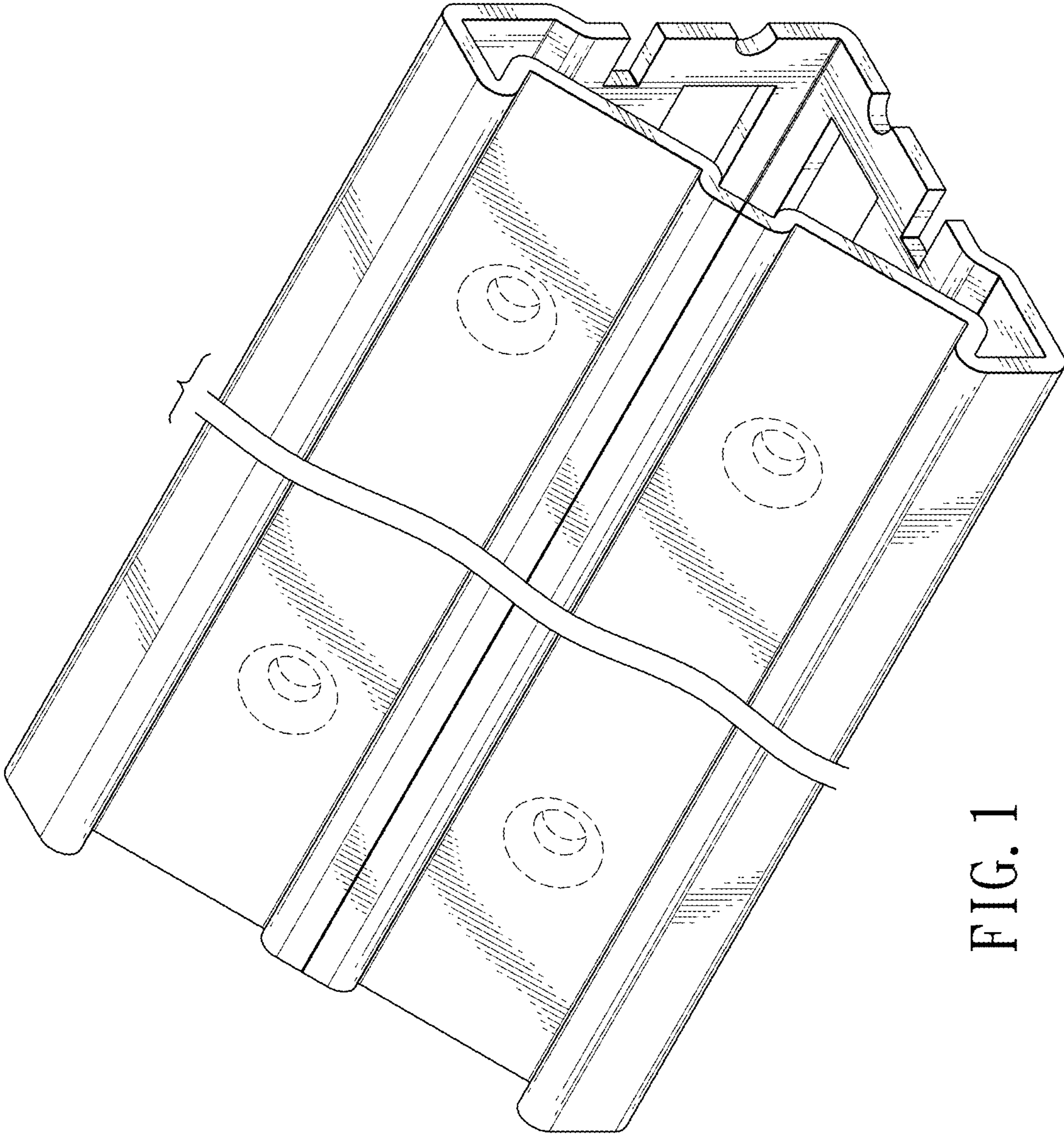


FIG. 1

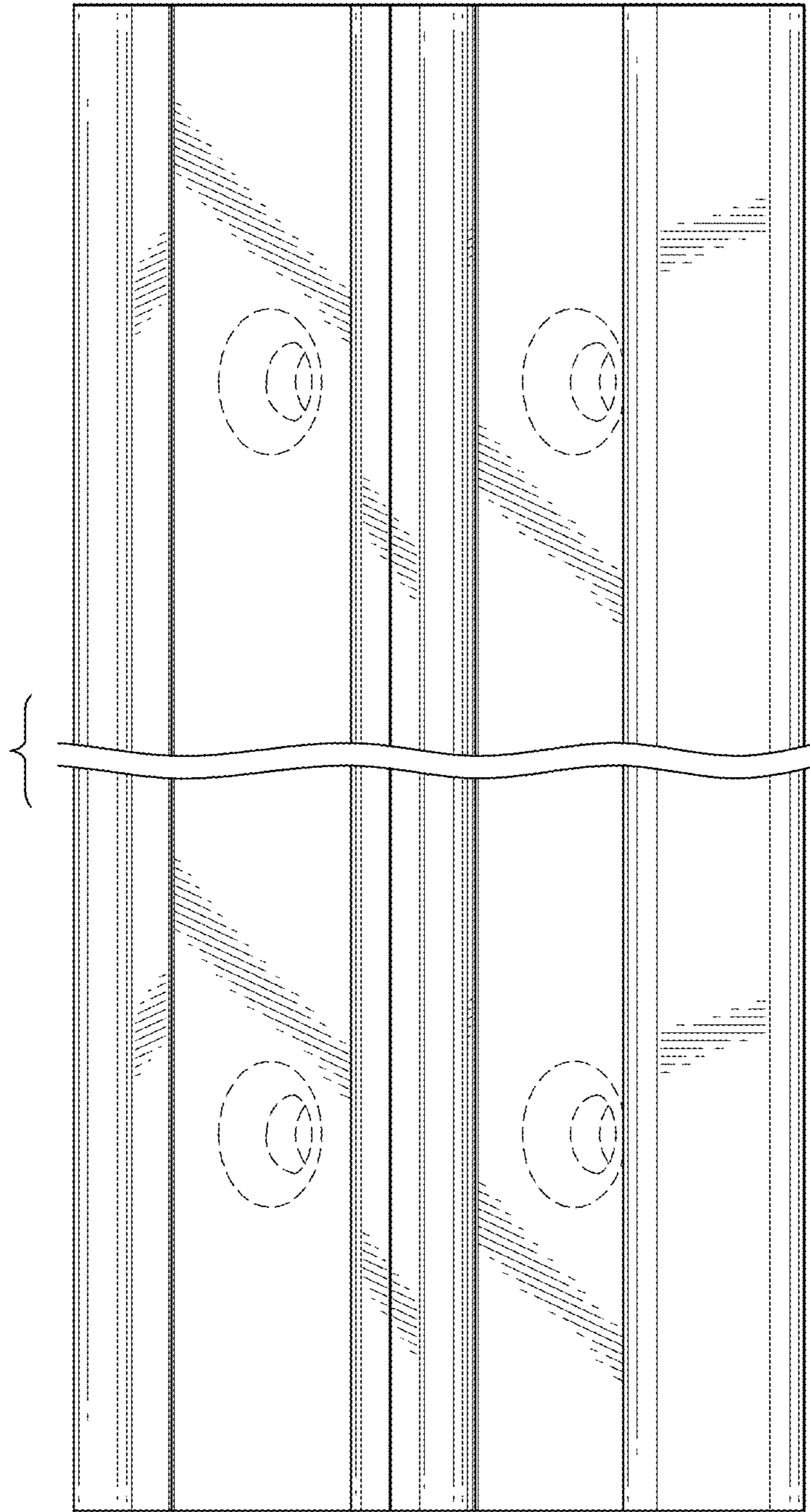


FIG. 2

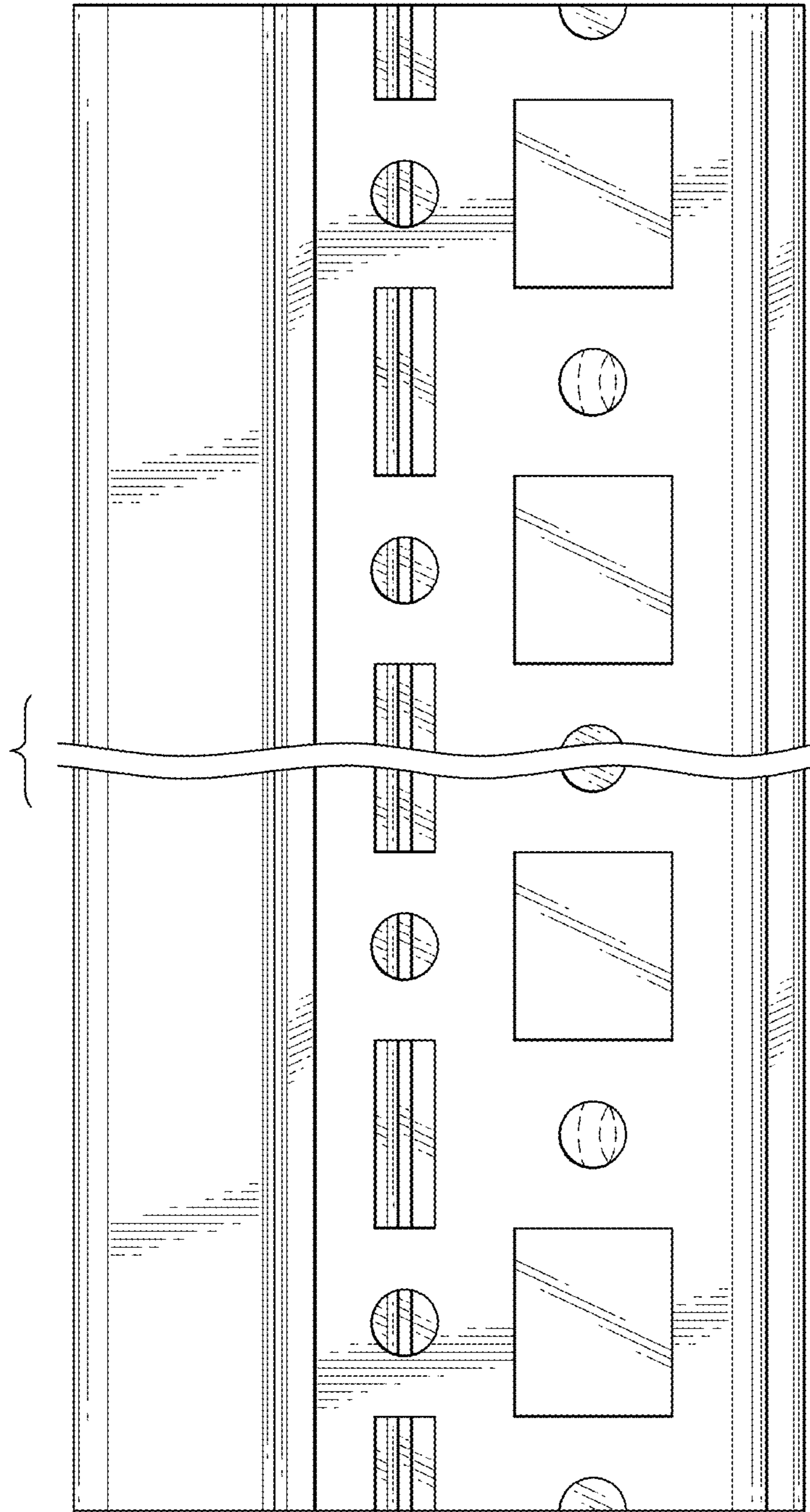


FIG. 3

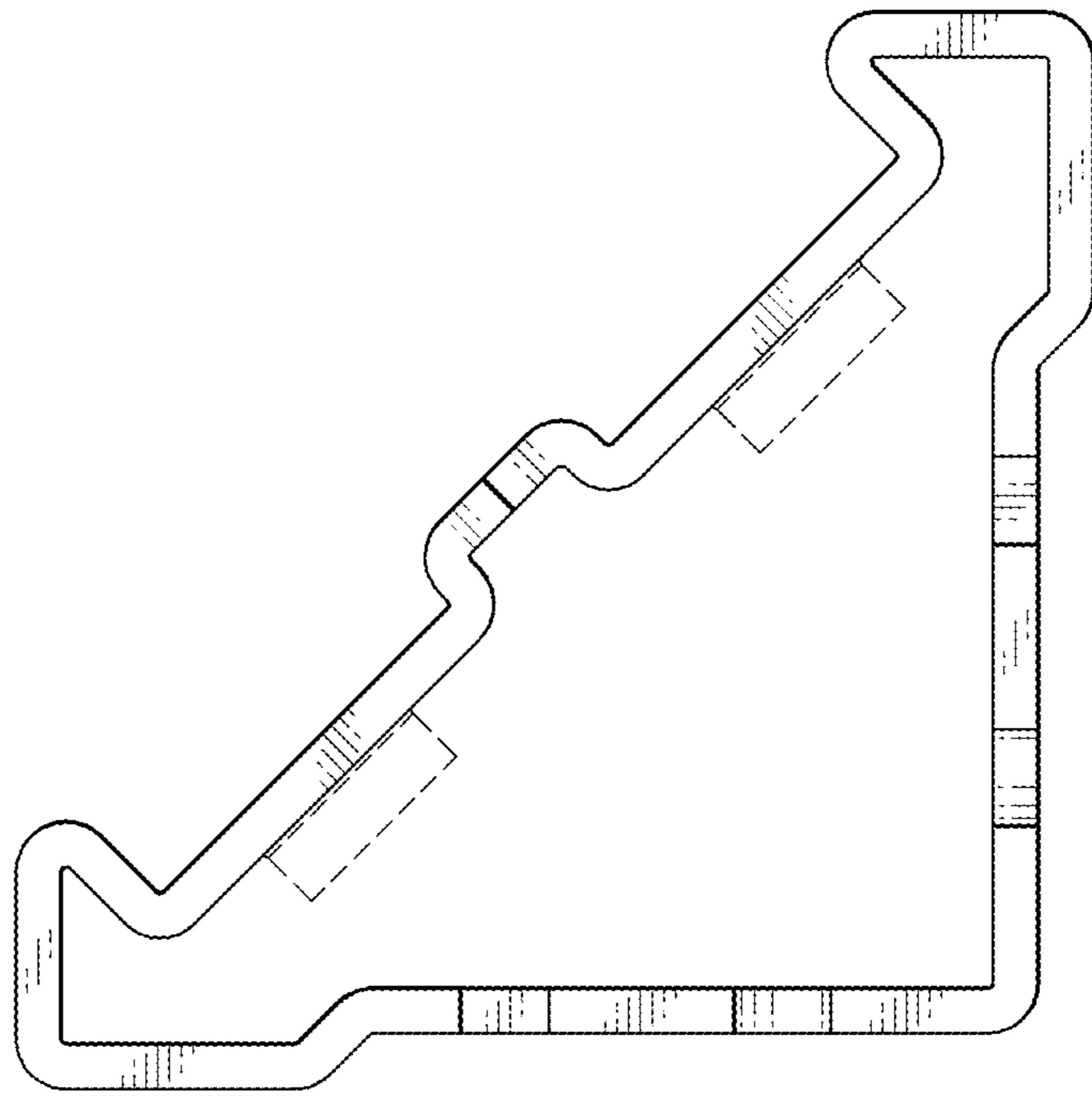


FIG. 4

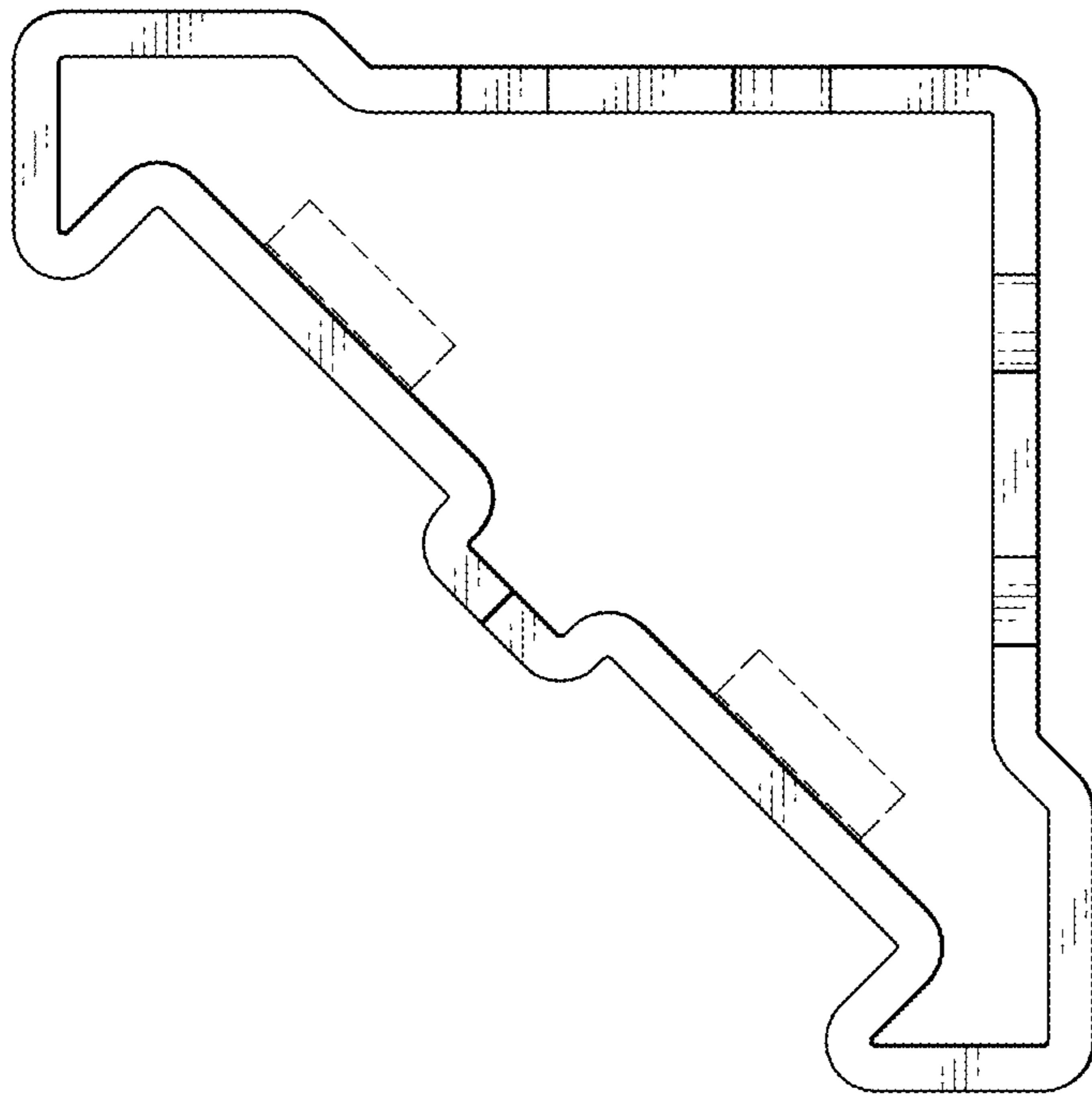


FIG. 5

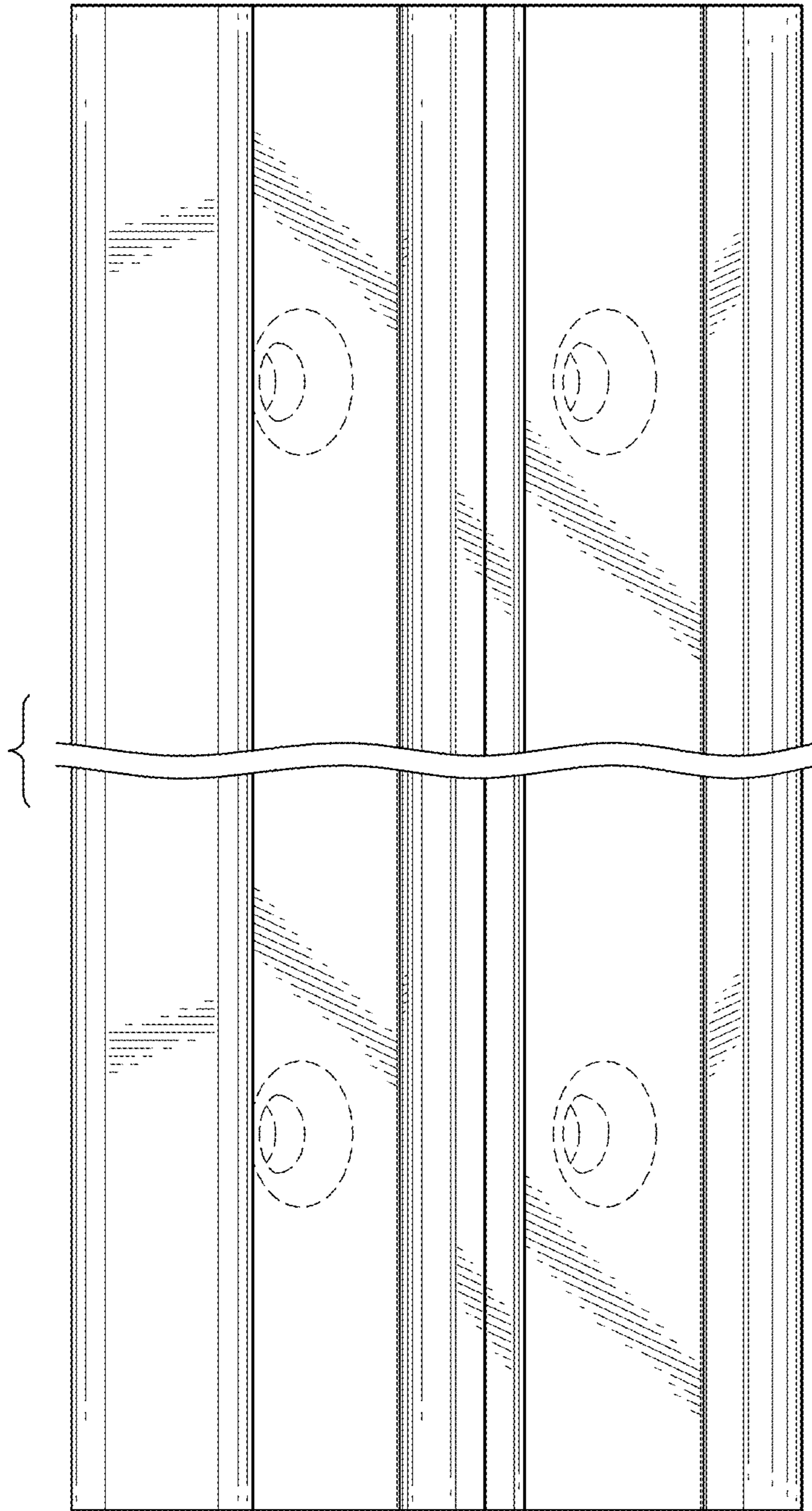


FIG. 6

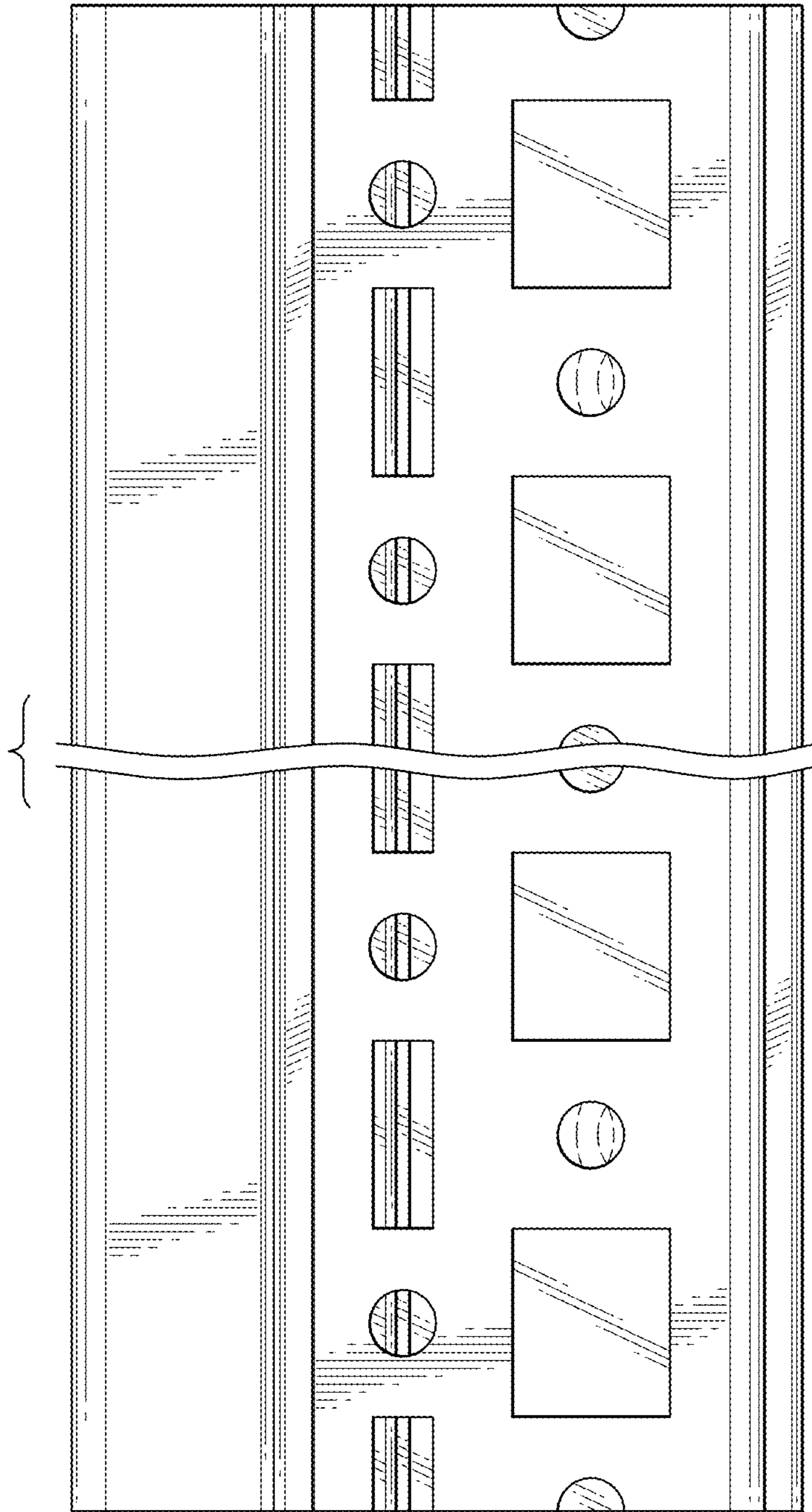


FIG. 7

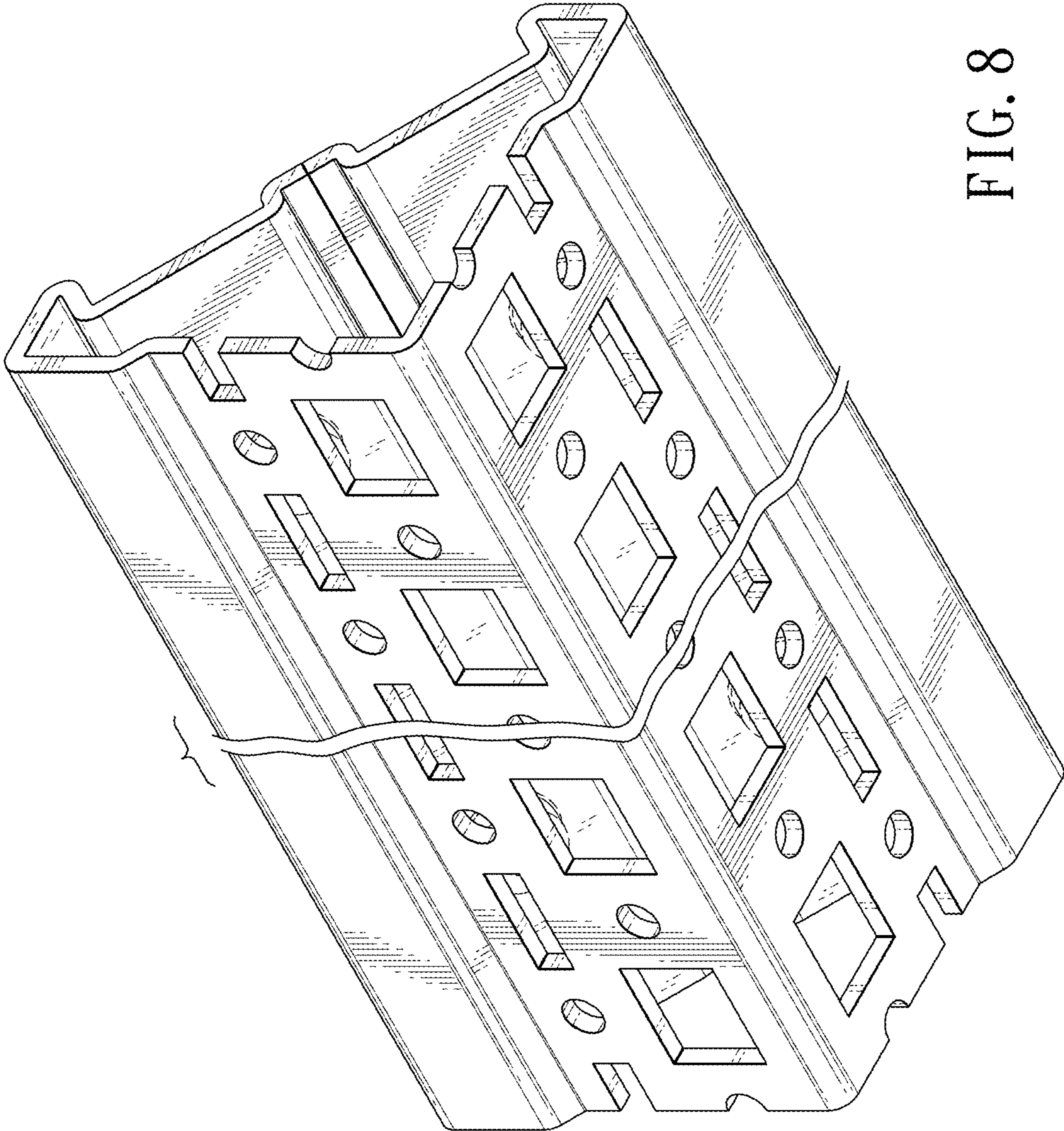


FIG. 8

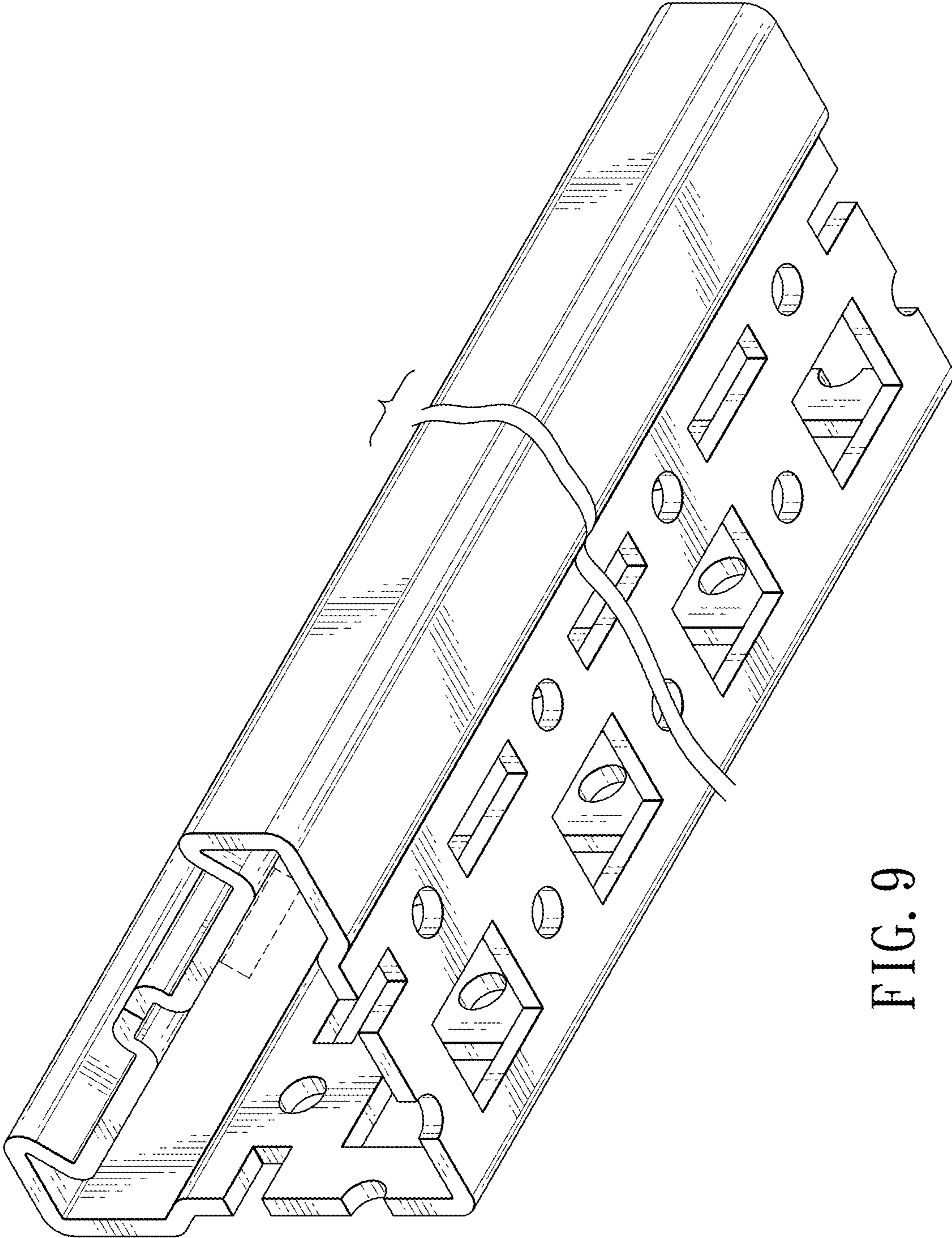


FIG. 9