



US00D874902S

(12) **United States Design Patent**
Prince

(10) **Patent No.:** **US D874,902 S**

(45) **Date of Patent:** **** Feb. 11, 2020**

(54) **ARTICULATING ARM ASSEMBLY**

(71) Applicant: **Ergotron, Inc.**, St. Paul, MN (US)

(72) Inventor: **David James Prince**, Saint Paul, MN (US)

(73) Assignee: **Ergotron, Inc.**, St. Paul, MN (US)

(**) Term: **15 Years**

(21) Appl. No.: **29/661,735**

(22) Filed: **Aug. 30, 2018**

Related U.S. Application Data

(63) Continuation-in-part of application No. 29/639,261, filed on Mar. 5, 2018.

(51) **LOC (12) Cl.** **08-08**

(52) **U.S. Cl.**
USPC **D8/349**

(58) **Field of Classification Search**
USPC D6/672, 684, 680, 683.1, 703.5; D8/349, D8/354, 355, 330, 331, 333, 380, 382; D13/154, 133, 129, 199; D22/125; D25/119, 164, 199, 139, 141; D26/138, D26/76, 78, 79, 80; D14/125
CPC .. F16C 2314/72; F16C 29/0623; F16C 29/06; F16C 29/0609; F16C 29/005; F16C 29/008; F16C 29/04; F16C 29/0657; F16C 29/004; F16C 29/12; A47B 1/10; A47B 88/493; A47B 88/423; A47B 2088/4235; B44C 5/02
See application file for complete search history.

(56) **References Cited**

U.S. PATENT DOCUMENTS

D332,043 S * 12/1992 Linhart D8/333
D347,988 S * 6/1994 Thorne D8/333

D474,100 S * 5/2003 Zapushek D8/333
D633,784 S * 3/2011 Iwama D8/383
8,302,436 B2 * 11/2012 Cheung E05B 67/003
70/14
D724,412 S * 3/2015 Stevens D8/331
D841,436 S * 2/2019 Ito D8/354

* cited by examiner

Primary Examiner — Mark A Goodwin

Assistant Examiner — Benjamin M Weeks

(74) *Attorney, Agent, or Firm* — Schwegman Lundberg & Woessner, P.A.

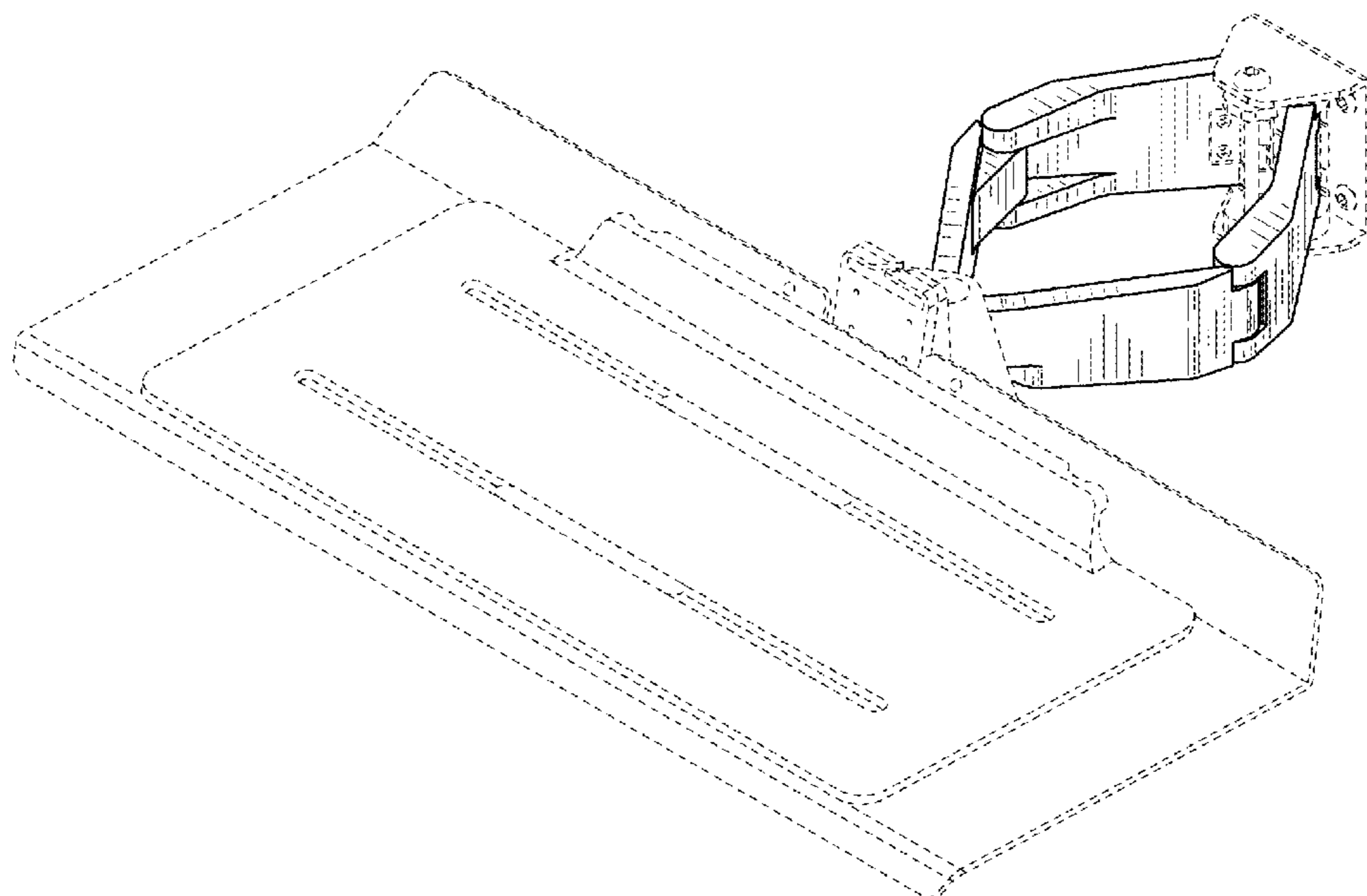
(57) **CLAIM**

The ornamental design for an articulating arm assembly, as shown and described.

DESCRIPTION

FIG. 1 is a top-perspective view of an articulating arm assembly;
FIG. 2 is a front view thereof;
FIG. 3 is a back view thereof;
FIG. 4 is a right-side view thereof;
FIG. 5 is a left-side view thereof;
FIG. 6 is a top view thereof; and
FIG. 7 is a bottom view thereof.
FIG. 8 is a top-perspective view of the first embodiment of an articulating arm assembly, shown in a collapsed state;
FIG. 9 is a front view thereof;
FIG. 10 is a back view thereof;
FIG. 11 is a right-side view thereof;
FIG. 12 is a left-side view thereof;
FIG. 13 is a top view thereof; and
FIG. 14 is a bottom view thereof.
The broken lines shown in the drawings are for illustrative purposes only and form no part of the claimed design.

1 Claim, 10 Drawing Sheets



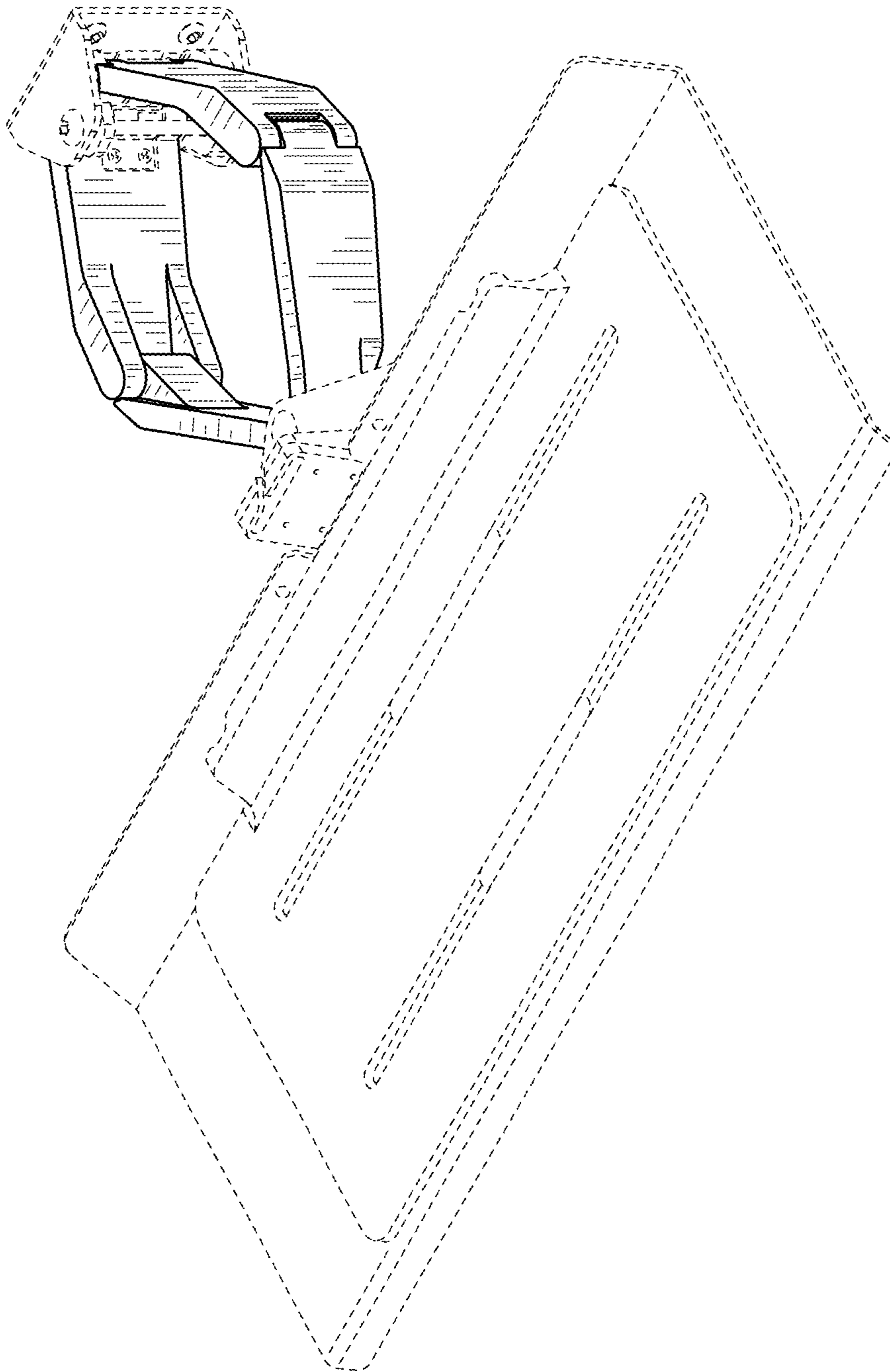


FIG. 1

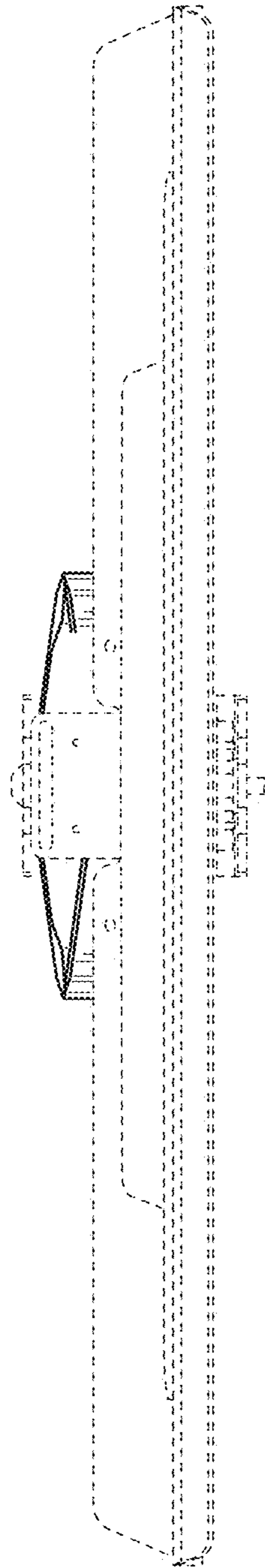


FIG. 2

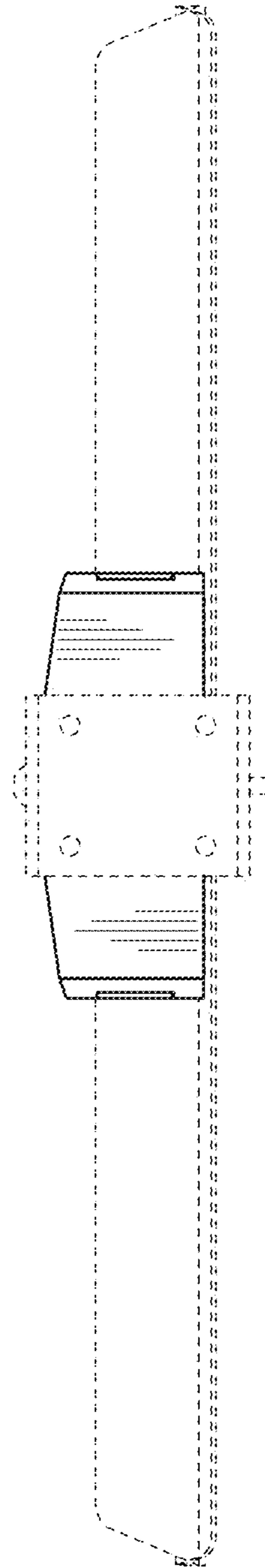


FIG. 3

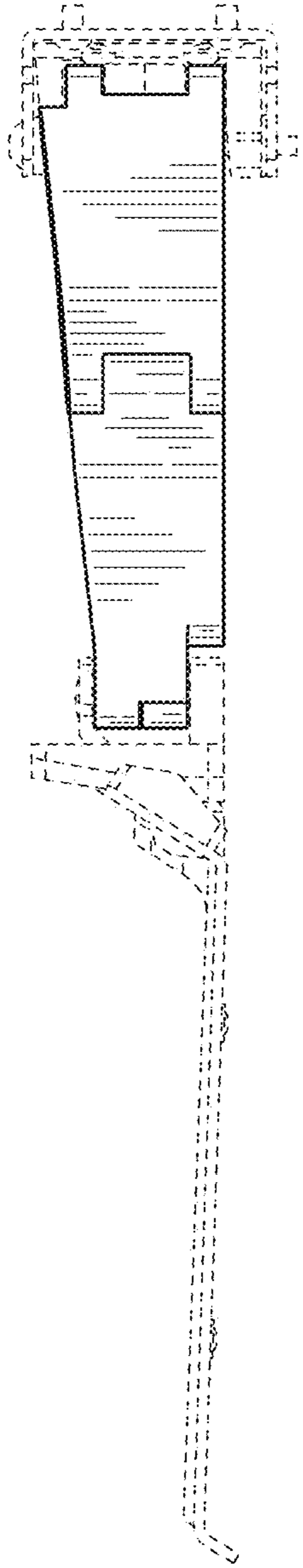


FIG. 4

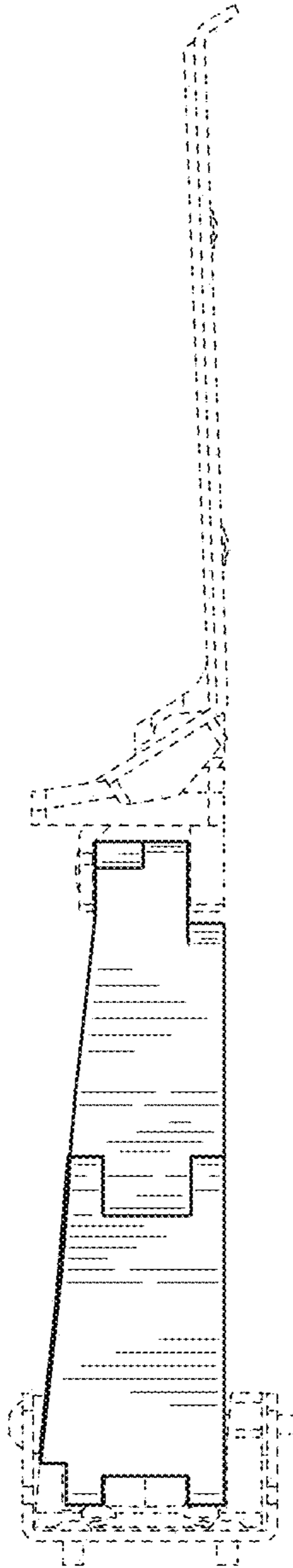


FIG. 5

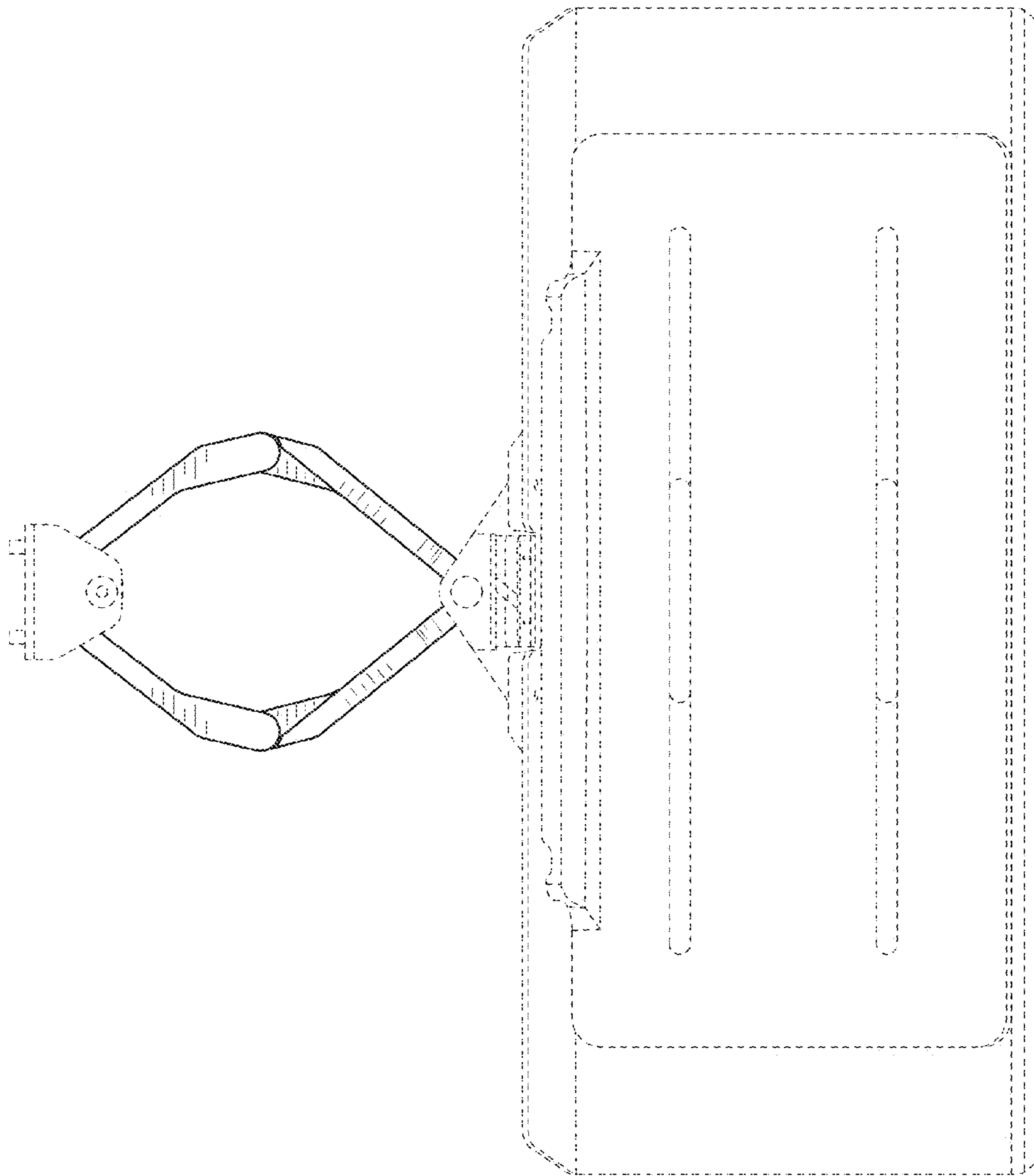


FIG. 6

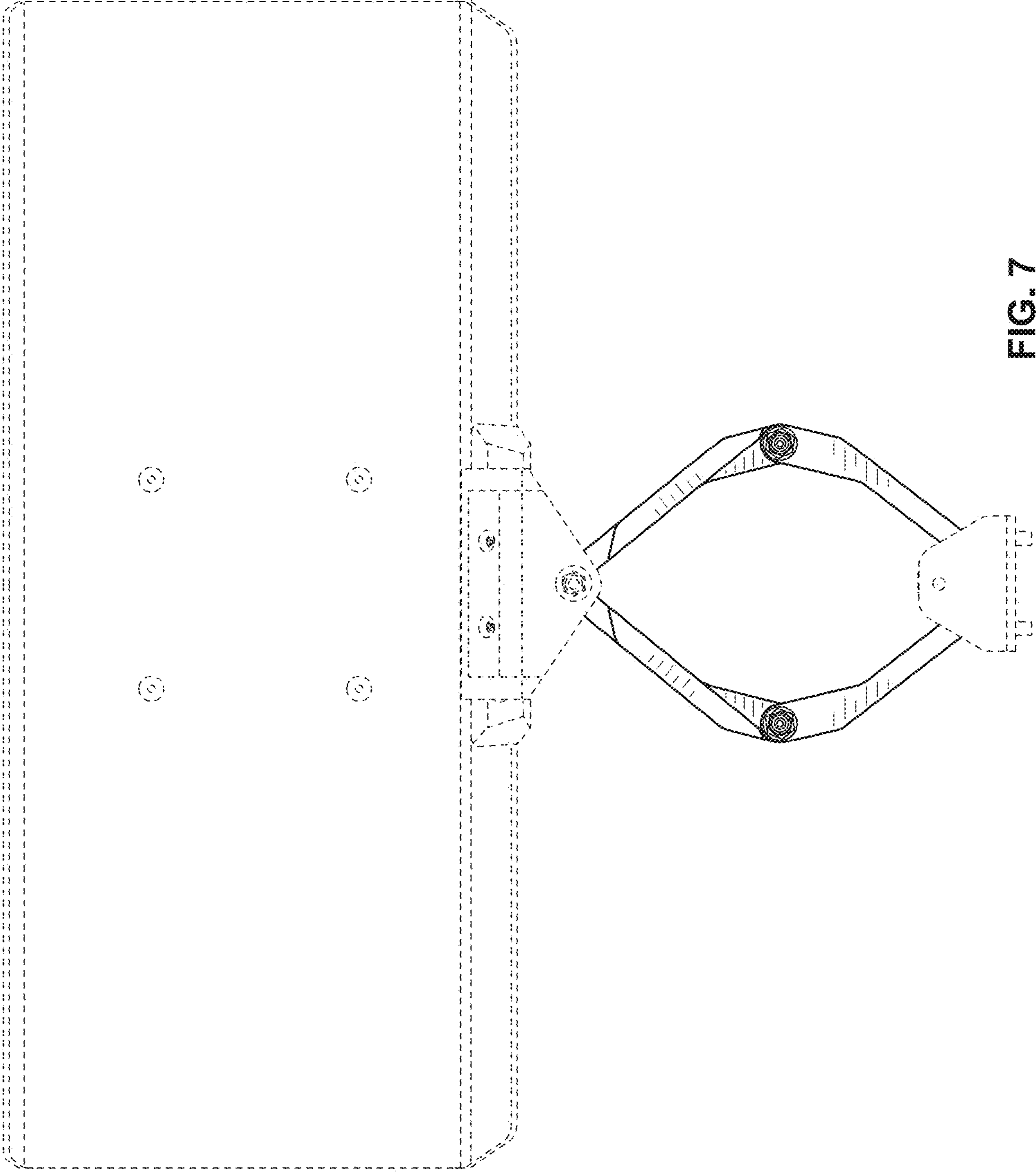


FIG. 7

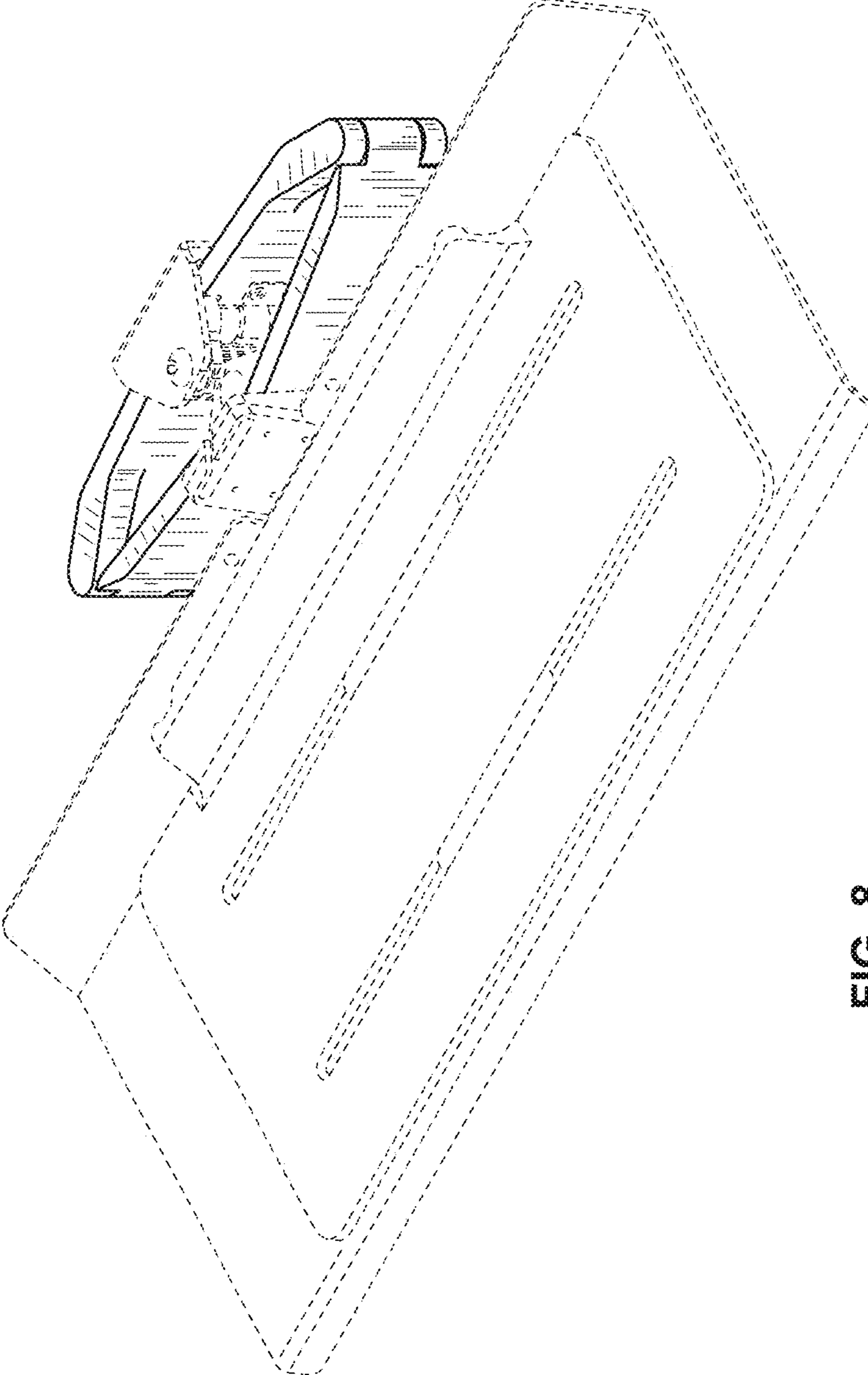


FIG. 8

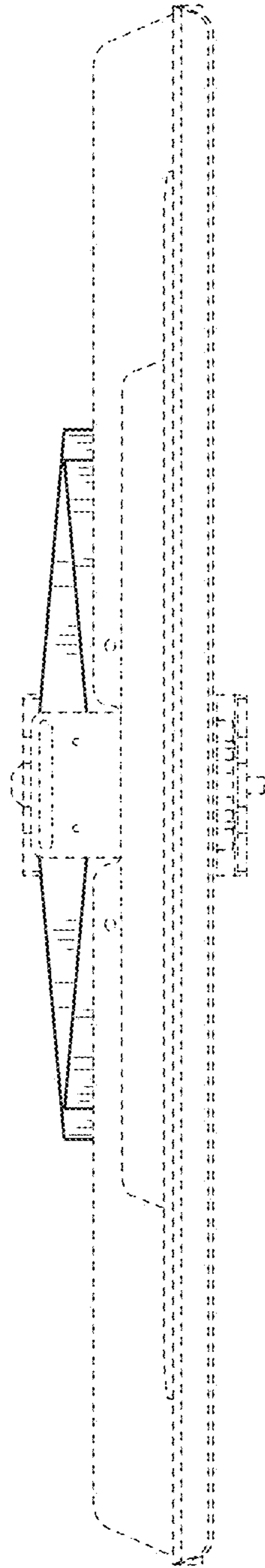


FIG. 9

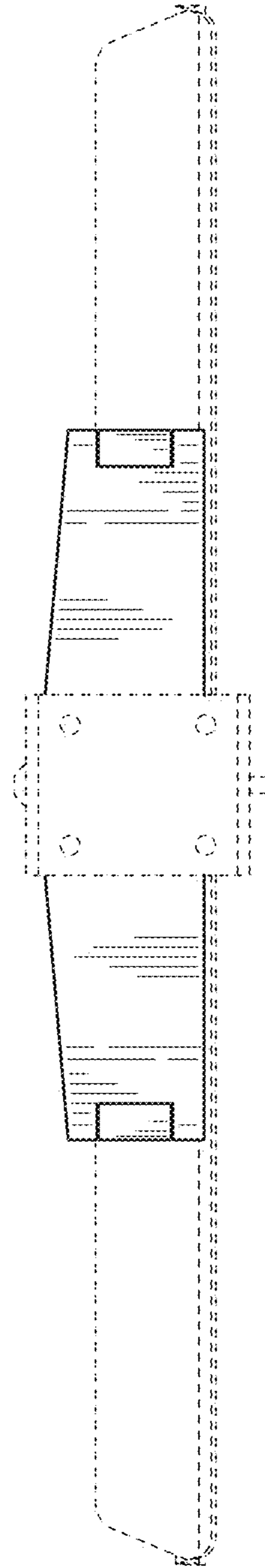


FIG. 10

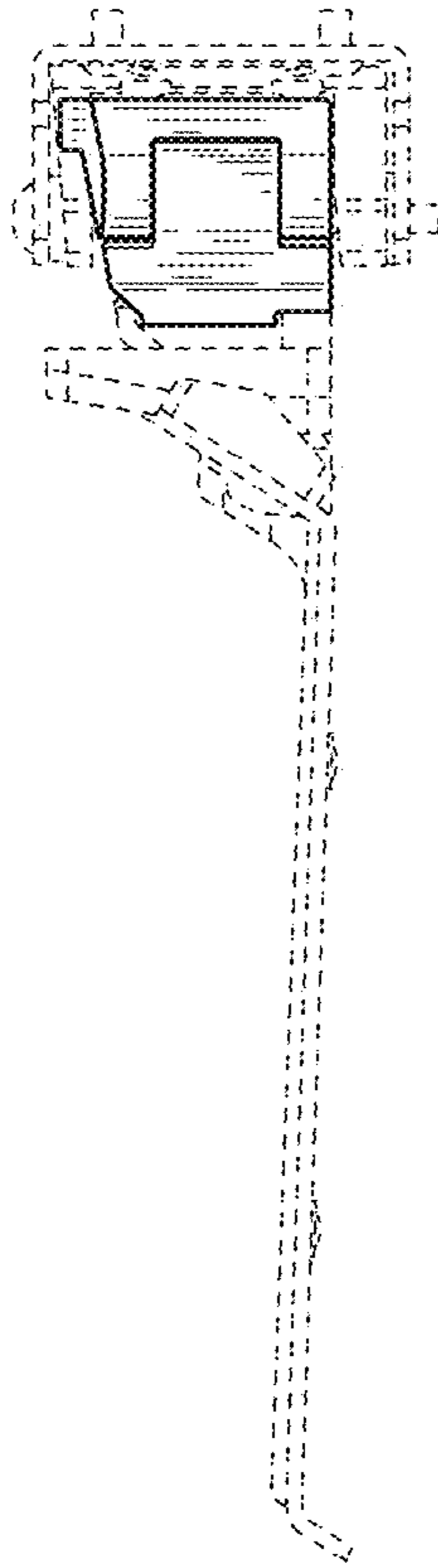


FIG. 11

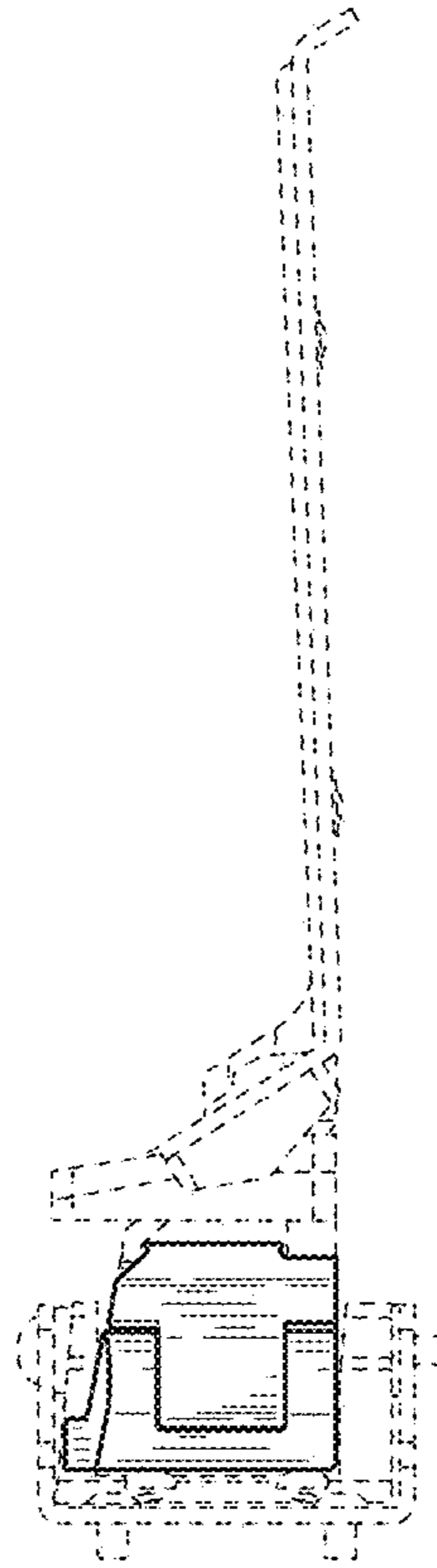


FIG. 12

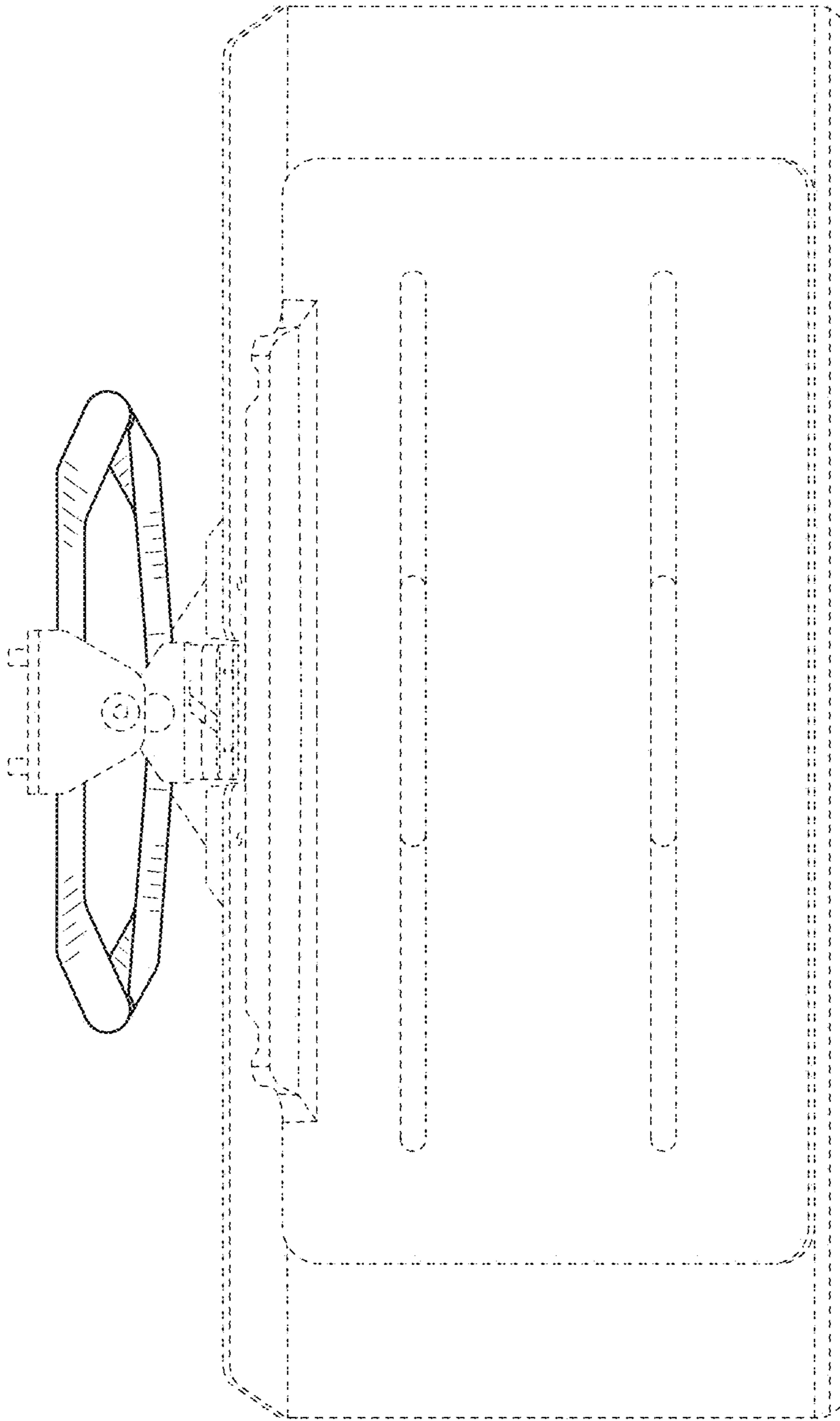


FIG. 13

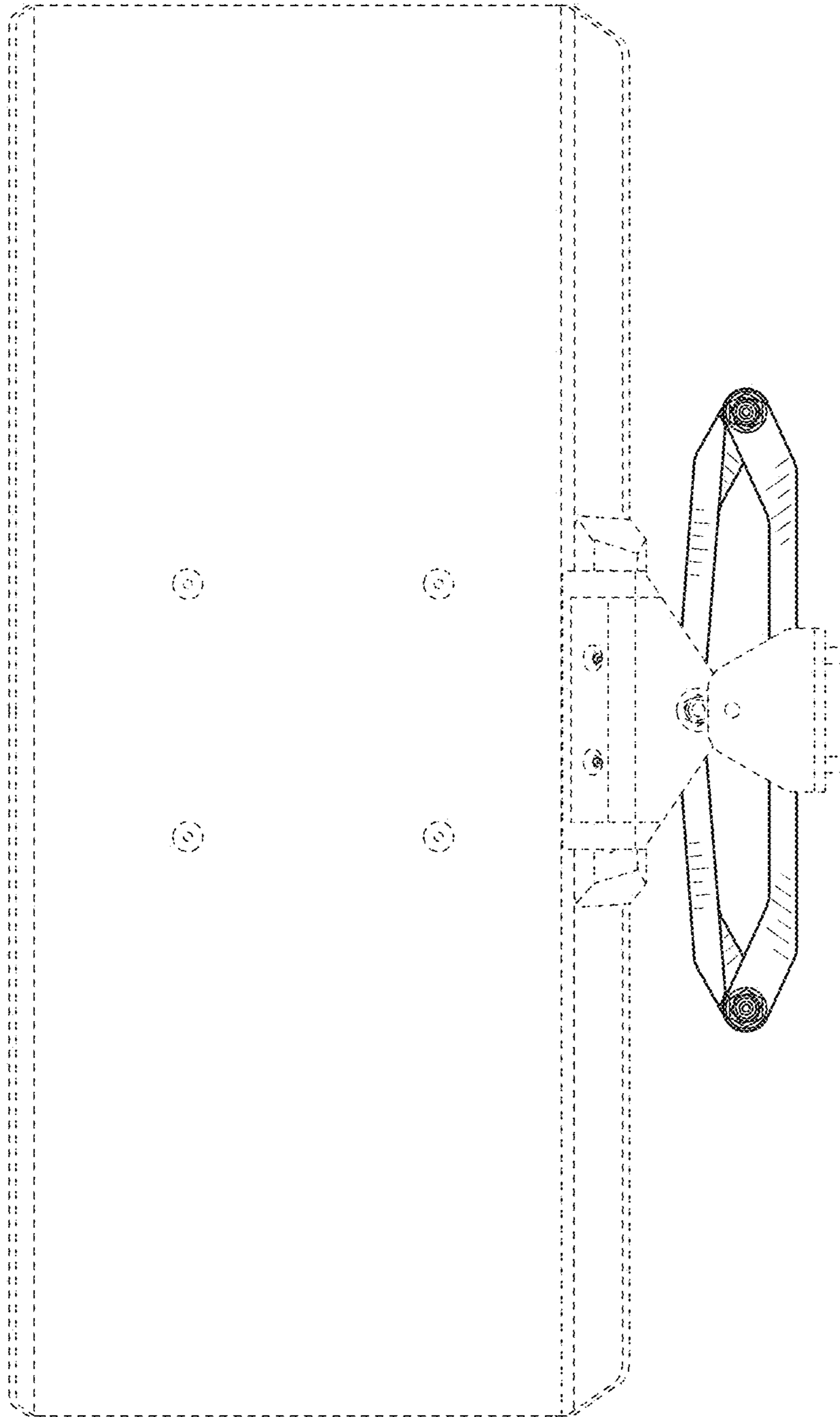


FIG. 14