



US00D874901S

(12) **United States Design Patent**
Vetter et al.

(10) **Patent No.:** **US D874,901 S**

(45) **Date of Patent:** **** Feb. 11, 2020**

(54) **CASEMENT WINDOW OPERATOR HANDLE AND COVER**

(71) Applicant: **Truth Hardware Corporation,**
Owatonna, MN (US)

(72) Inventors: **Gregory J. Vetter,** Owatonna, MN
(US); **Heather M. Duneman,**
Owatonna, MN (US)

(73) Assignee: **Truth Hardware Corporation,**
Owatonna, MN (US)

(**) Term: **15 Years**

(21) Appl. No.: **29/646,259**

(22) Filed: **May 2, 2018**

(51) **LOC (12) Cl.** **08-07**

(52) **U.S. Cl.**
USPC **D8/337**

(58) **Field of Classification Search**
USPC D8/300-302, 307-309, 310, 311, 331,
D8/336, 337, 343, 400; D23/250, 252;
D7/393

CPC Y10T 16/4719; Y10T 16/86; Y10S 16/30;
Y10S 292/31; Y10S 292/53; Y10S 16/12;
Y10S 292/23; Y10S 292/27; Y10S
292/30; Y10S 292/63; E05B 85/16; E05B
1/0015; E05B 77/06; E05B 79/06; E05B
85/18; E05B 85/12; E05B 85/10; E05B
7/00; E05B 1/0053; E05B 77/265; E05B
3/00; E05B 9/00; E05B 2009/004; E05B
47/00; E05B 55/00; E05B 15/00; E05C
7/00; E05C 19/08

See application file for complete search history.

(56) **References Cited**

U.S. PATENT DOCUMENTS

D264,177 S * 5/1982 Cole D8/336
D303,625 S * 9/1989 Ryser D8/336

4,972,691 A * 11/1990 Knight E05L 313/103
70/213
D347,569 S * 6/1994 Vetter D8/400
D487,012 S * 2/2004 Stoll D8/337
D521,847 S * 5/2006 Vetter D8/309
D522,837 S * 6/2006 Vetter D8/306
D537,335 S * 2/2007 Vetter D8/400
D543,825 S * 6/2007 Witte D8/302
D551,942 S * 10/2007 Vetter D8/337
D591,146 S * 4/2009 Dallmann D8/400
D595,110 S * 6/2009 Berstler D8/331
D649,003 S * 11/2011 Stuckey D8/302
D700,823 S * 3/2014 Otsuka D8/302
D784,112 S * 4/2017 Onorato D8/331
2002/0066162 A1 * 6/2002 Klompenburg E05F 11/16
16/429

(Continued)

Primary Examiner — Lauren R Calve

(74) *Attorney, Agent, or Firm* — Bradley J. Thorson

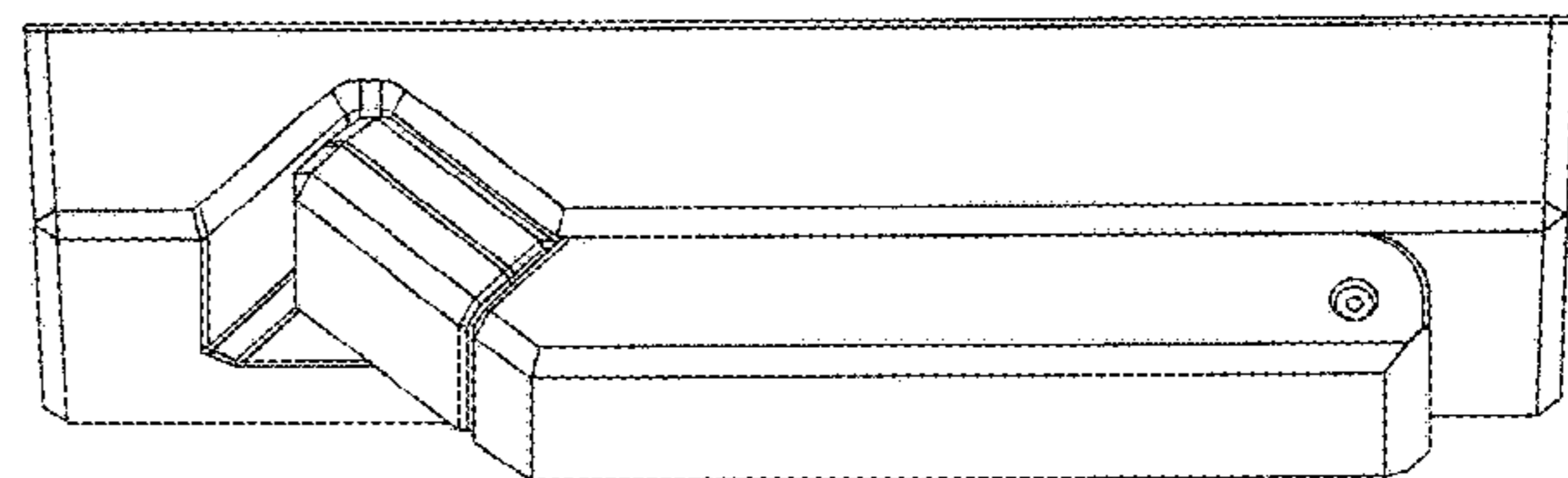
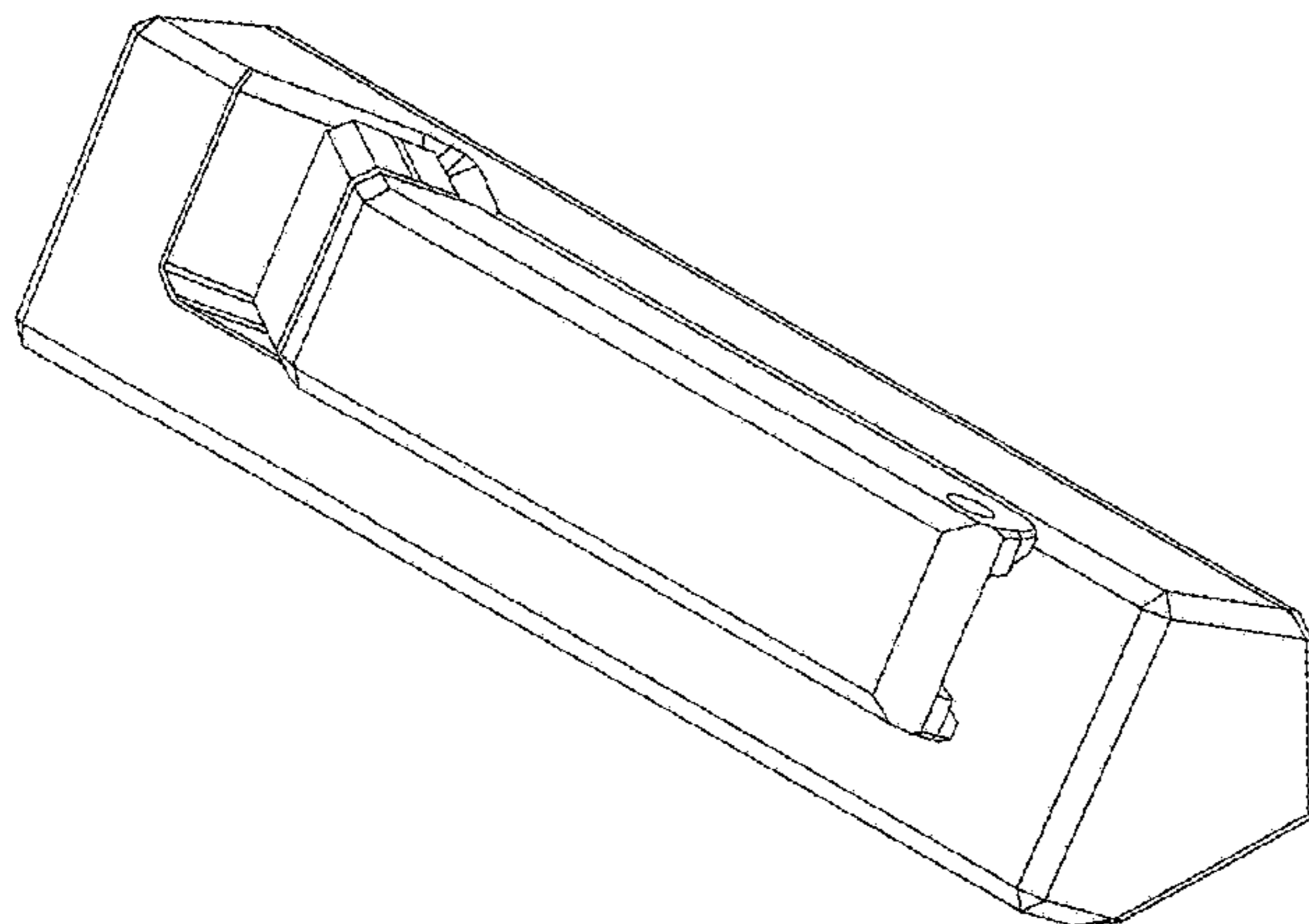
(57) **CLAIM**

We claim the ornamental design for a casement window operator handle and cover, as shown and described.

DESCRIPTION

FIG. 1 is an orthogonal view of a casement window operator handle and cover according to the invention;
FIG. 2 is a front elevation view of the casement window operator handle and cover depicted in FIG. 1;
FIG. 3 is a top plan view of the casement window operator handle and cover depicted in FIG. 1;
FIG. 4 is a right side elevation view of the casement window operator handle and cover depicted in FIG. 1;
FIG. 5 is a left side elevation of the casement window operator handle and cover depicted in FIG. 1; and,
FIG. 6 is a bottom plan view of the casement window operator handle and cover depicted in FIG. 1.
The broken lines shown represent portions of the operator handle that form no part of the claimed design.

1 Claim, 3 Drawing Sheets



(56)

References Cited

U.S. PATENT DOCUMENTS

2007/0273162 A1* 11/2007 Schultz E05F 11/34
292/336.3

* cited by examiner

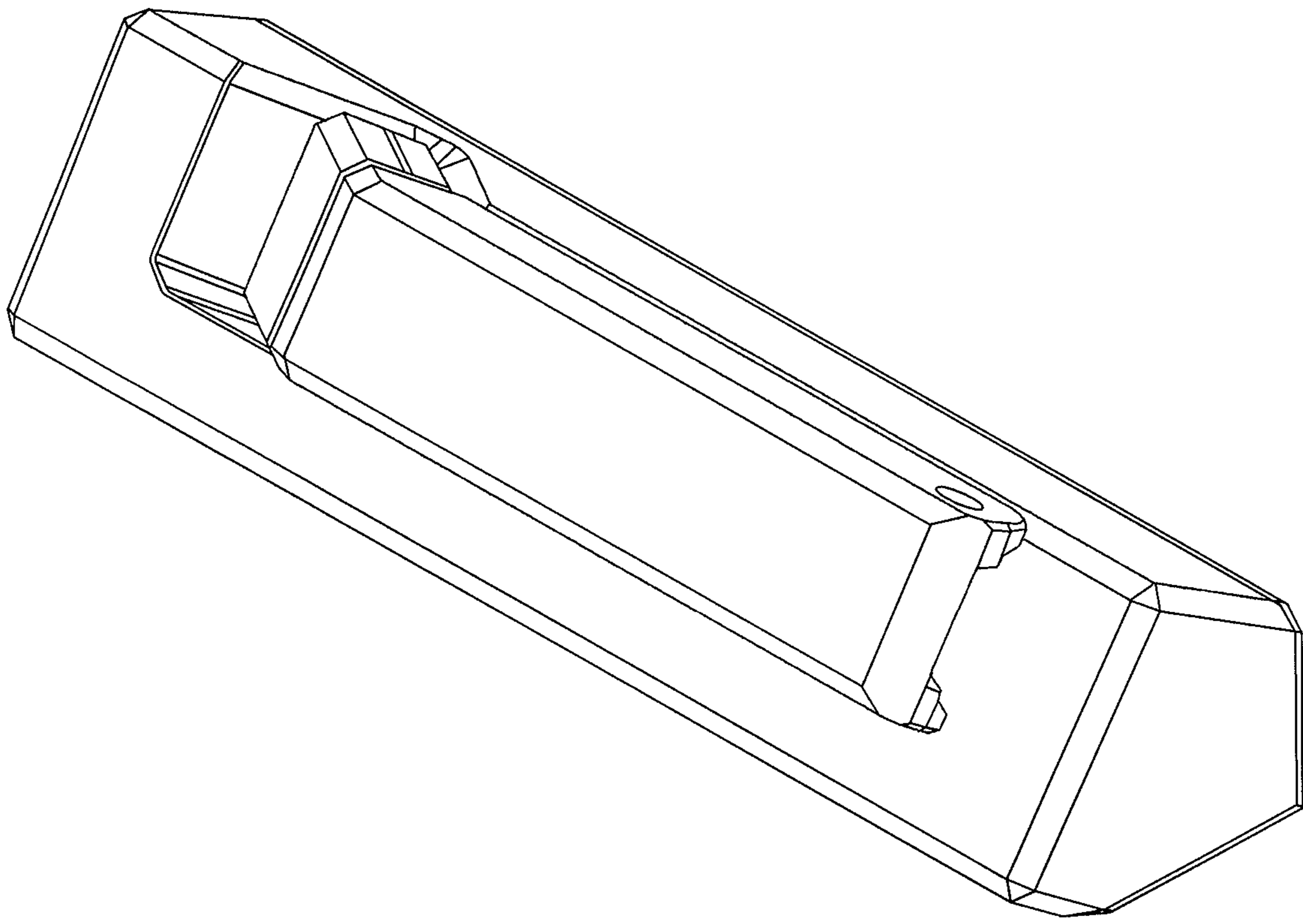


FIG. 1

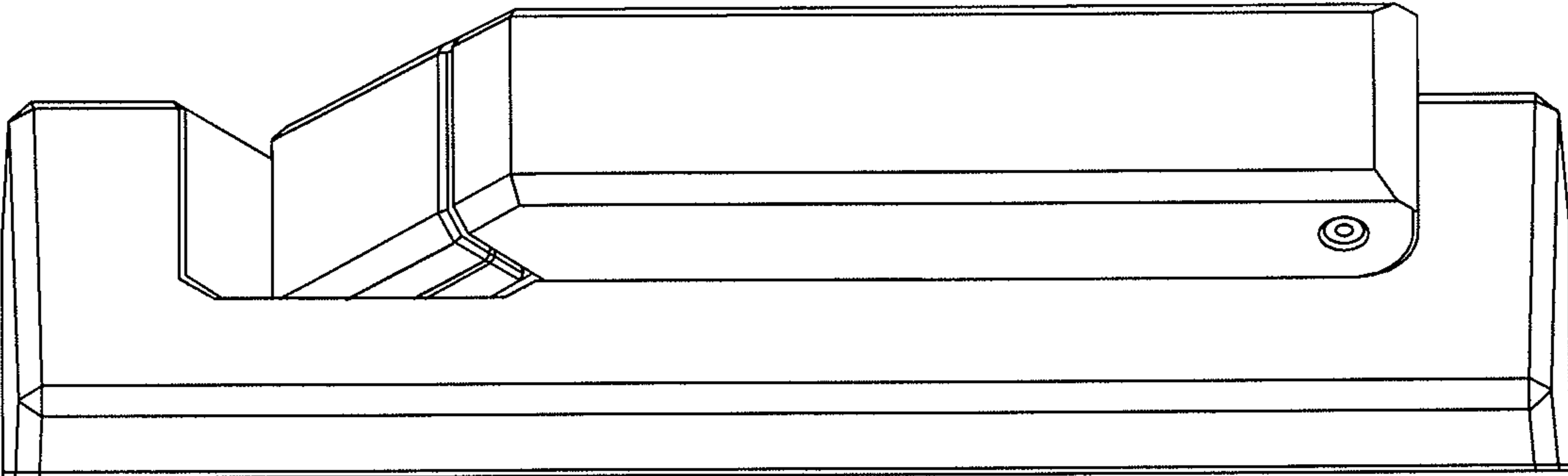


FIG. 2

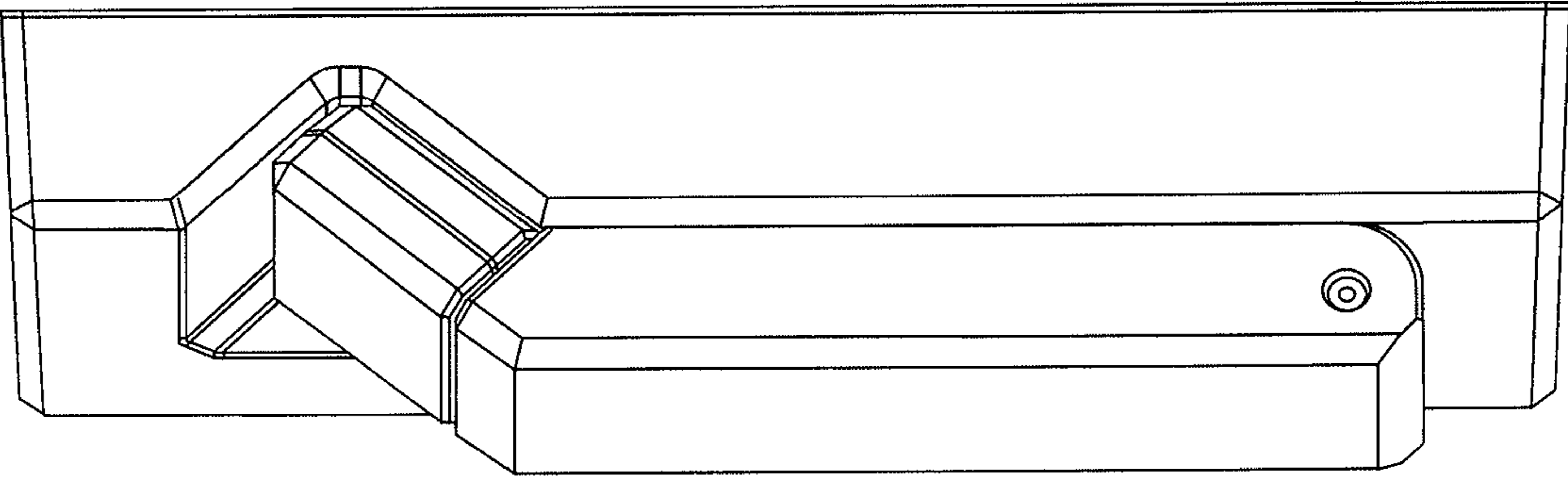


FIG. 3

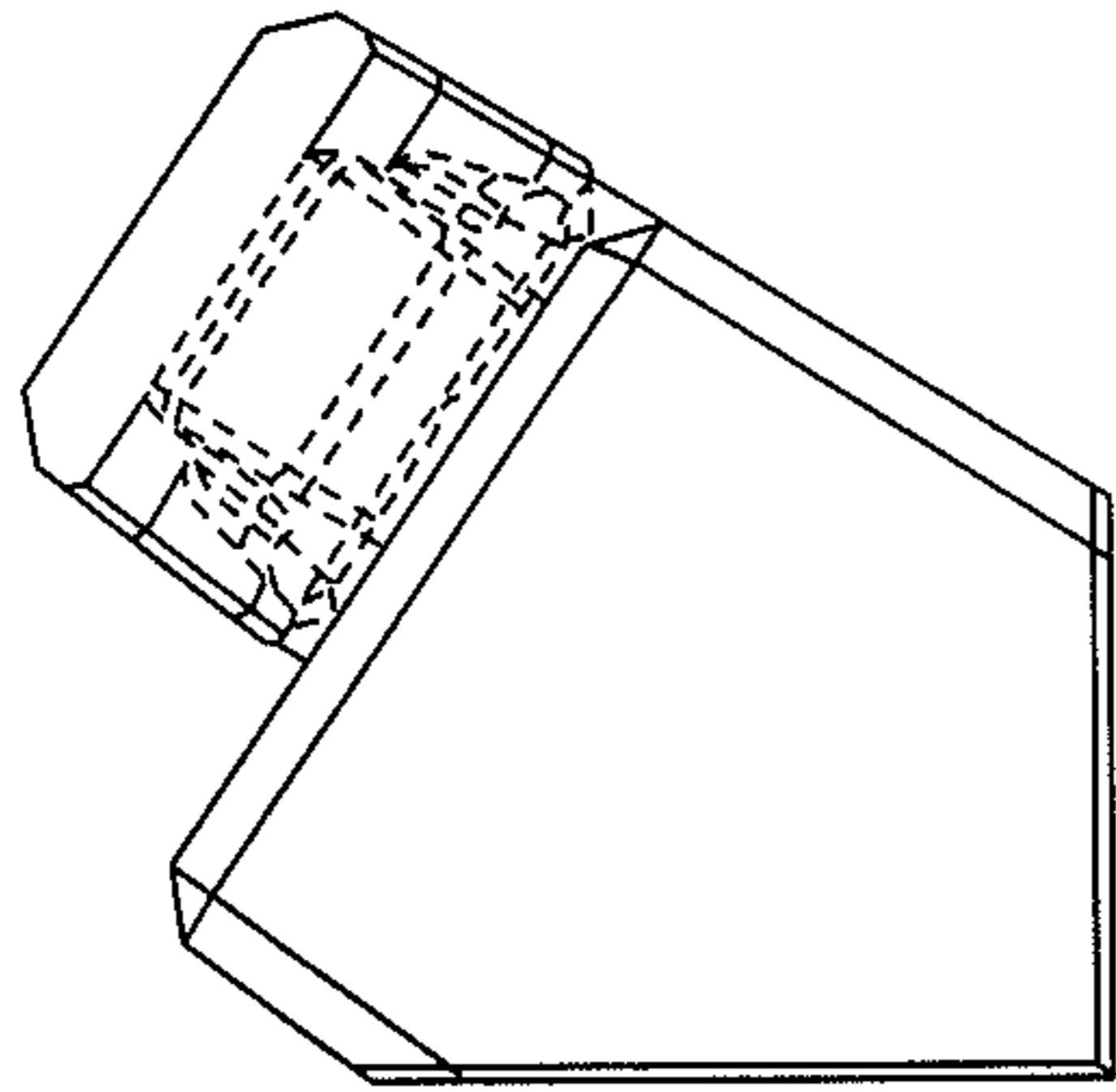


FIG. 4

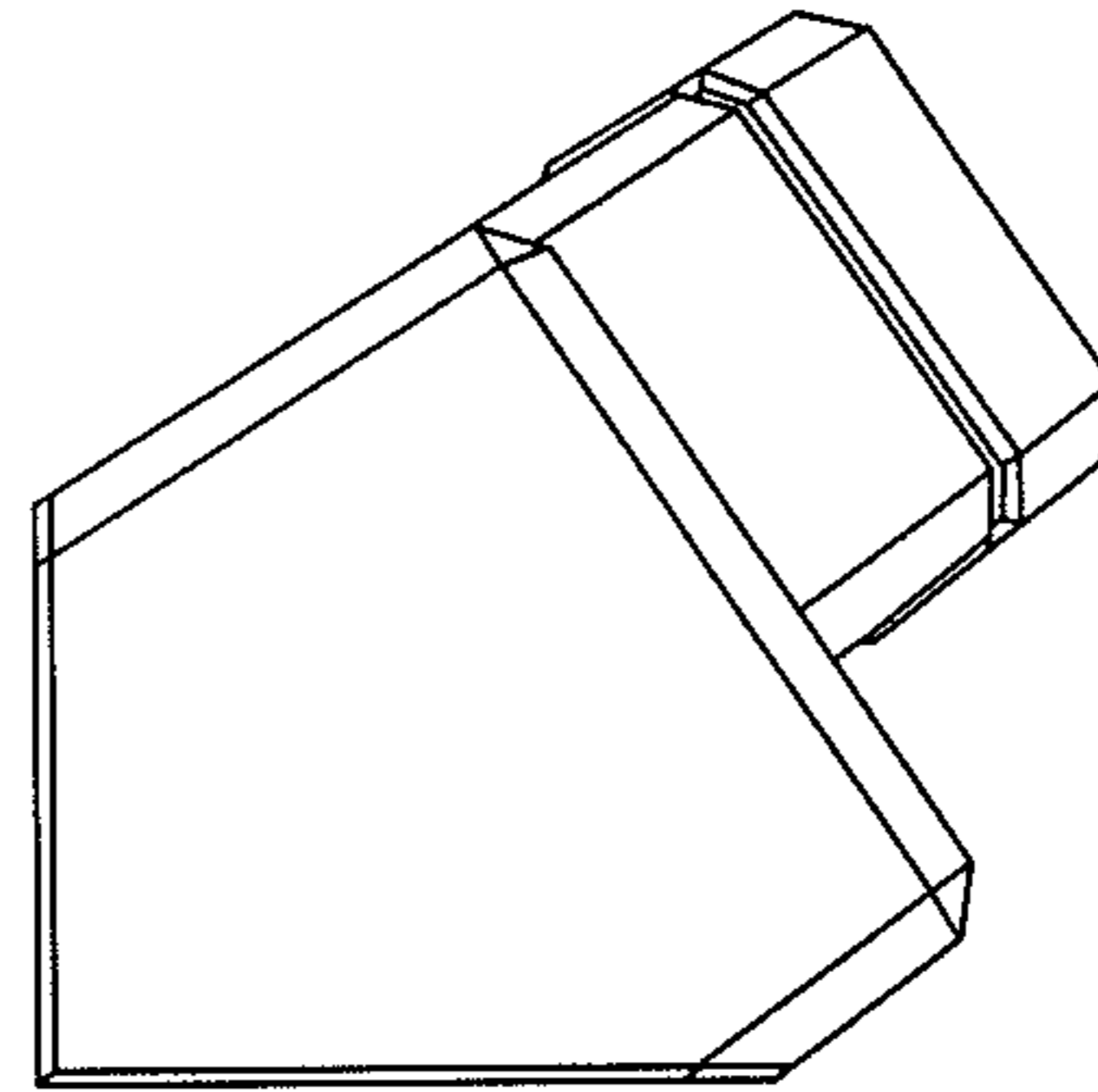


FIG. 5

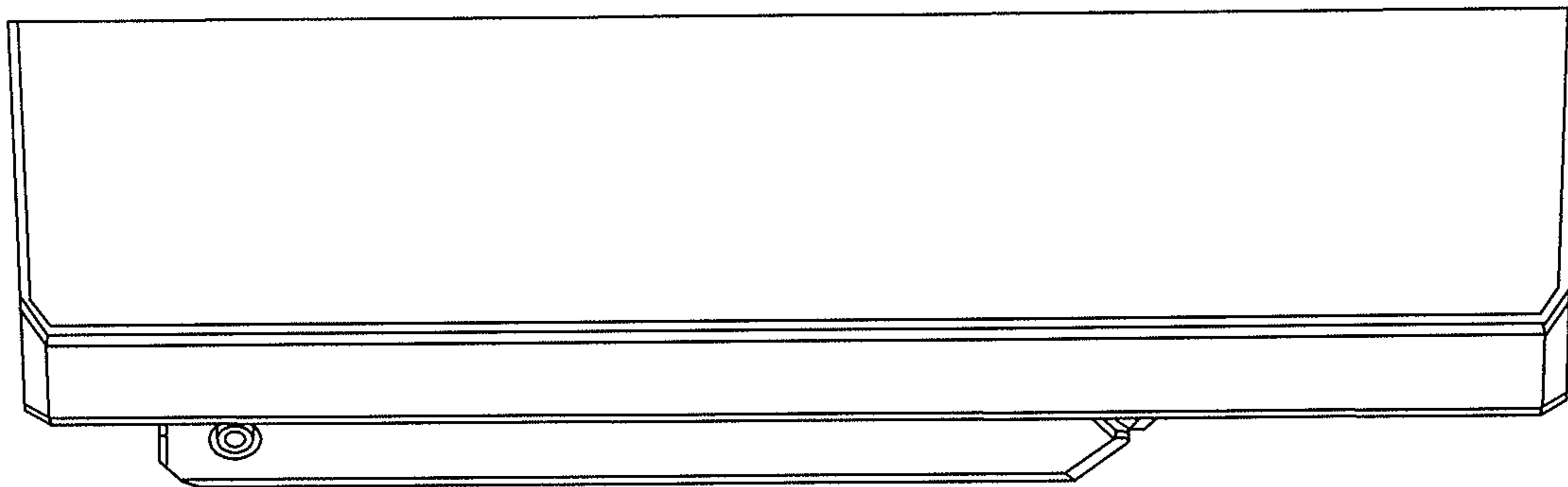


FIG. 6