



US00D874900S

(12) **United States Design Patent**  
**Prieto et al.**

(10) **Patent No.:** **US D874,900 S**

(45) **Date of Patent:** **\*\* Feb. 11, 2020**

(54) **MULTI-FUNCTION TOOL WITH LIGHT**

(71) Applicant: **Alliance Sports Group, L.P.**, Grand Prairie, TX (US)

(72) Inventors: **Jimmy Prieto**, Grand Prairie, TX (US);  
**Huang Xiaohong**, Ningbo (CN)

(73) Assignee: **Alliance Sports Group, L.P.**, Grand Prairie, TX (US)

(\*\*) Term: **15 Years**

(21) Appl. No.: **29/660,452**

(22) Filed: **Aug. 21, 2018**

(51) **LOC (12) Cl.** ..... **08-03**

(52) **U.S. Cl.**  
USPC ..... **D8/99; D26/38**

(58) **Field of Classification Search**  
USPC ..... D8/98, 99, 100, 105, 107; D26/28;  
D22/118  
CPC ..... F21V 33/0084; B26B 5/001; B26B 5/003;  
B26B 11/00; B26B 1/08; B26B 1/02;  
B26B 1/10; B26B 1/04  
See application file for complete search history.

(56) **References Cited**

**U.S. PATENT DOCUMENTS**

5,313,376 A \* 5/1994 McIntosh ..... F21V 33/0084  
362/119  
D353,011 S \* 11/1994 Miller ..... D26/38

D408,256 S \* 4/1999 Maxcy ..... D8/99  
6,446,341 B1 \* 9/2002 Wang ..... B26B 1/046  
30/123  
D474,391 S \* 5/2003 Padden ..... D26/38  
D603,239 S \* 11/2009 Kunzendorf ..... D26/38  
D728,340 S \* 5/2015 Wang ..... D8/99  
D758,822 S \* 6/2016 Windom ..... D8/99  
2010/0085739 A1 \* 4/2010 Webb ..... B26B 1/02  
362/157

\* cited by examiner

*Primary Examiner* — Philip S Hyder

(74) *Attorney, Agent, or Firm* — Thorpe North & Western LLP

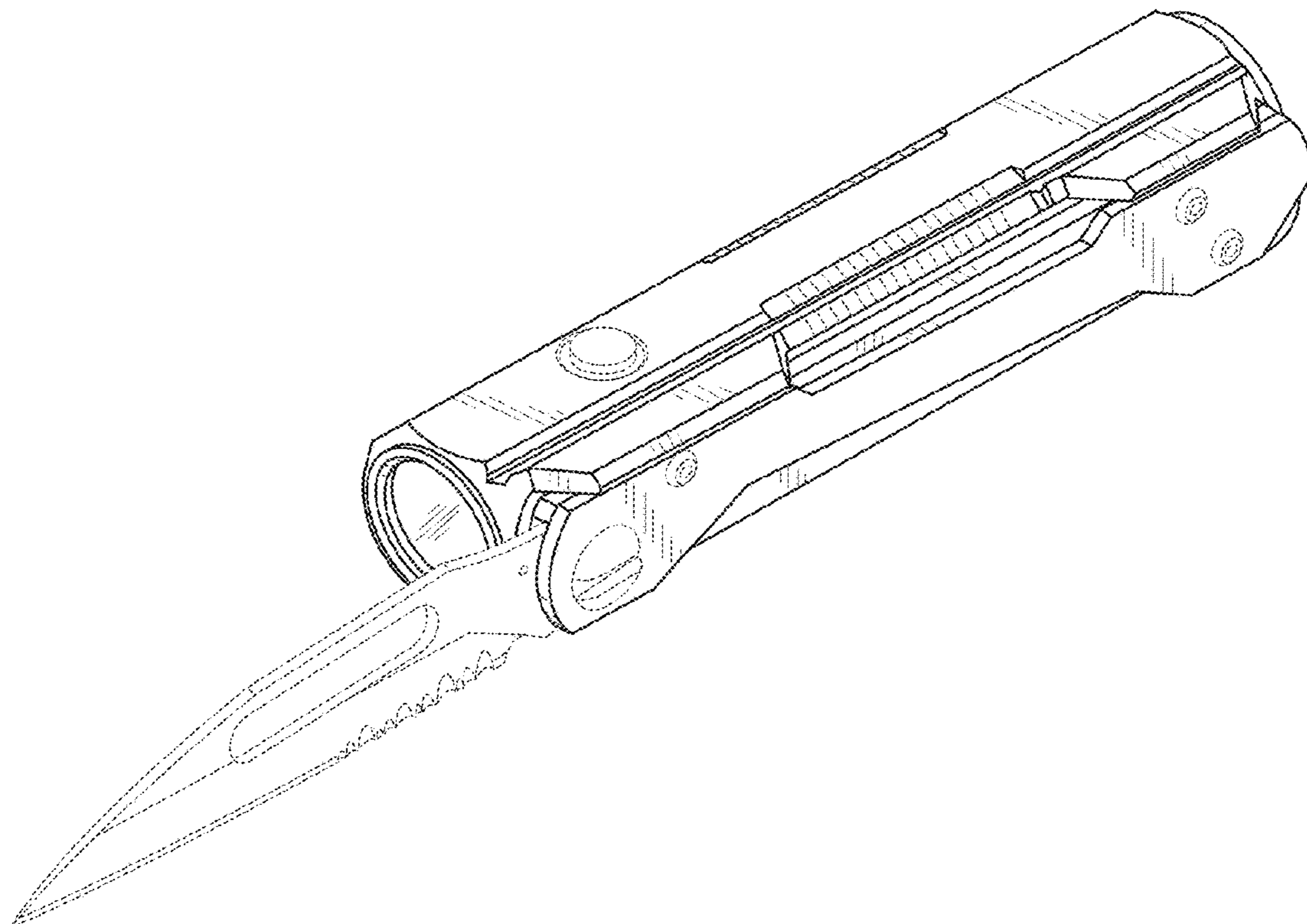
(57) **CLAIM**

The ornamental design for the multi-function tool with light, as shown and described.

**DESCRIPTION**

FIG. 1 is an elevated, perspective view of the multi-function tool with light in accordance with my invention;  
FIG. 2 is a front view of FIG. 1;  
FIG. 3 is a back view of FIG. 1;  
FIG. 4 is a side view of FIG. 1;  
FIG. 5 is an opposite view of FIG. 4;  
FIG. 6 is a top view of FIG. 1; and,  
FIG. 7 is a bottom view of FIG. 1.  
The broken lines shown represent portions of the article not claimed and form no part of the claimed design.

**1 Claim, 4 Drawing Sheets**



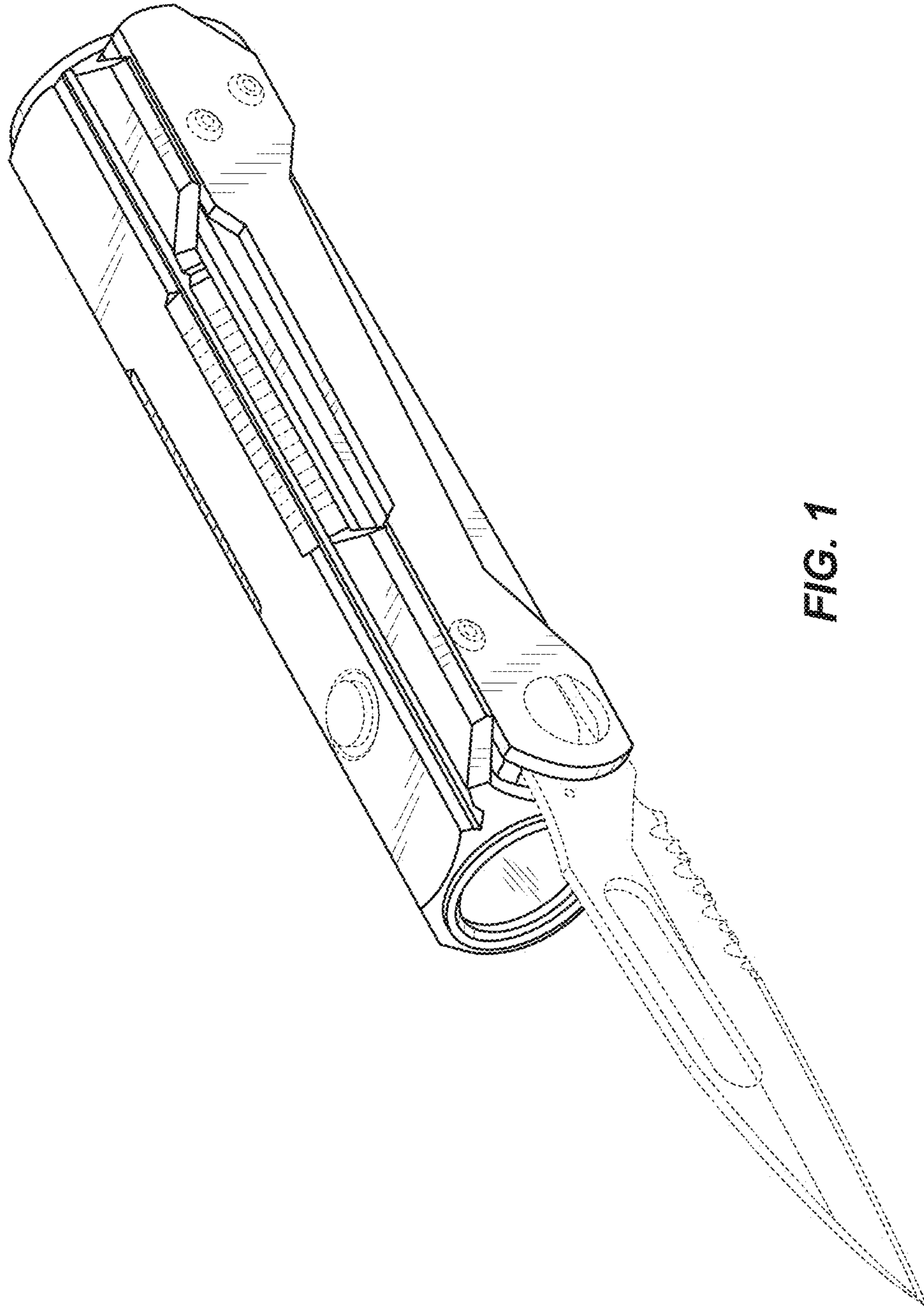


FIG. 1

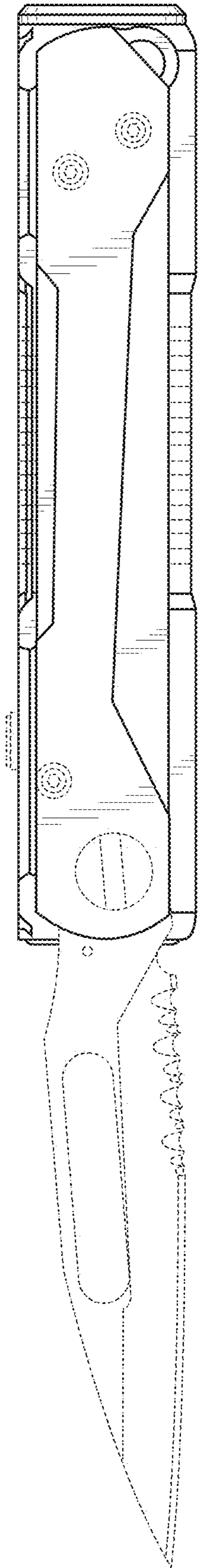


FIG. 2

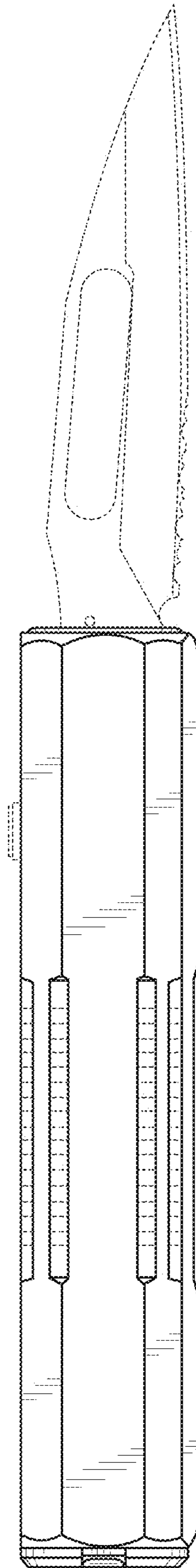


FIG. 3

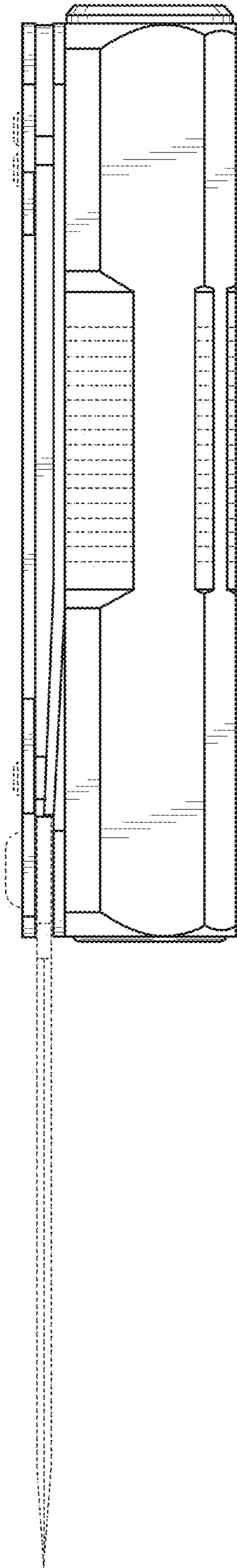


FIG. 4

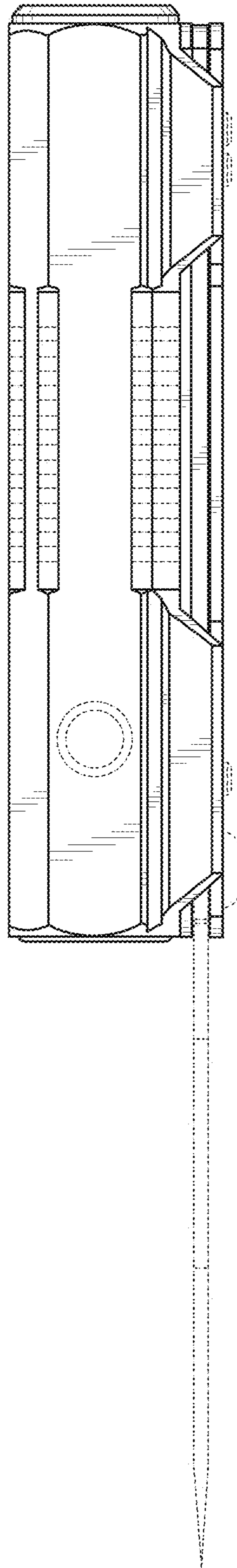
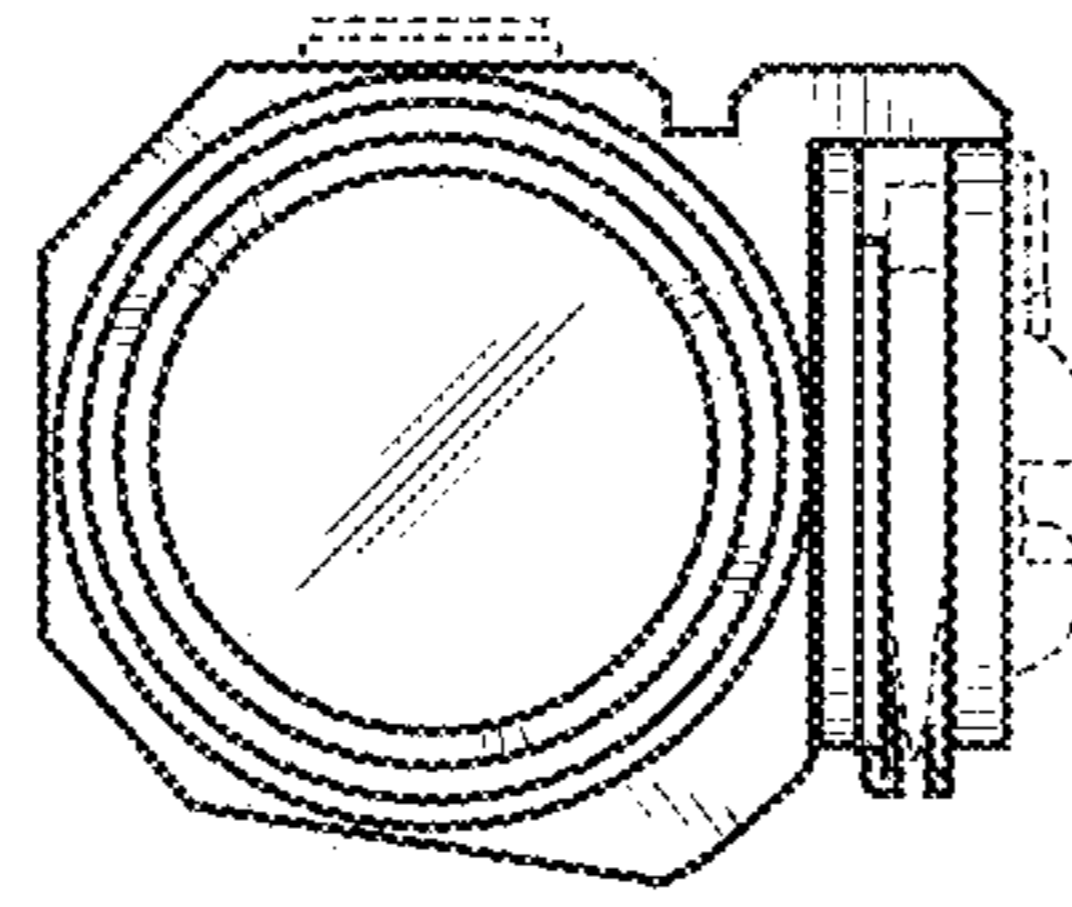
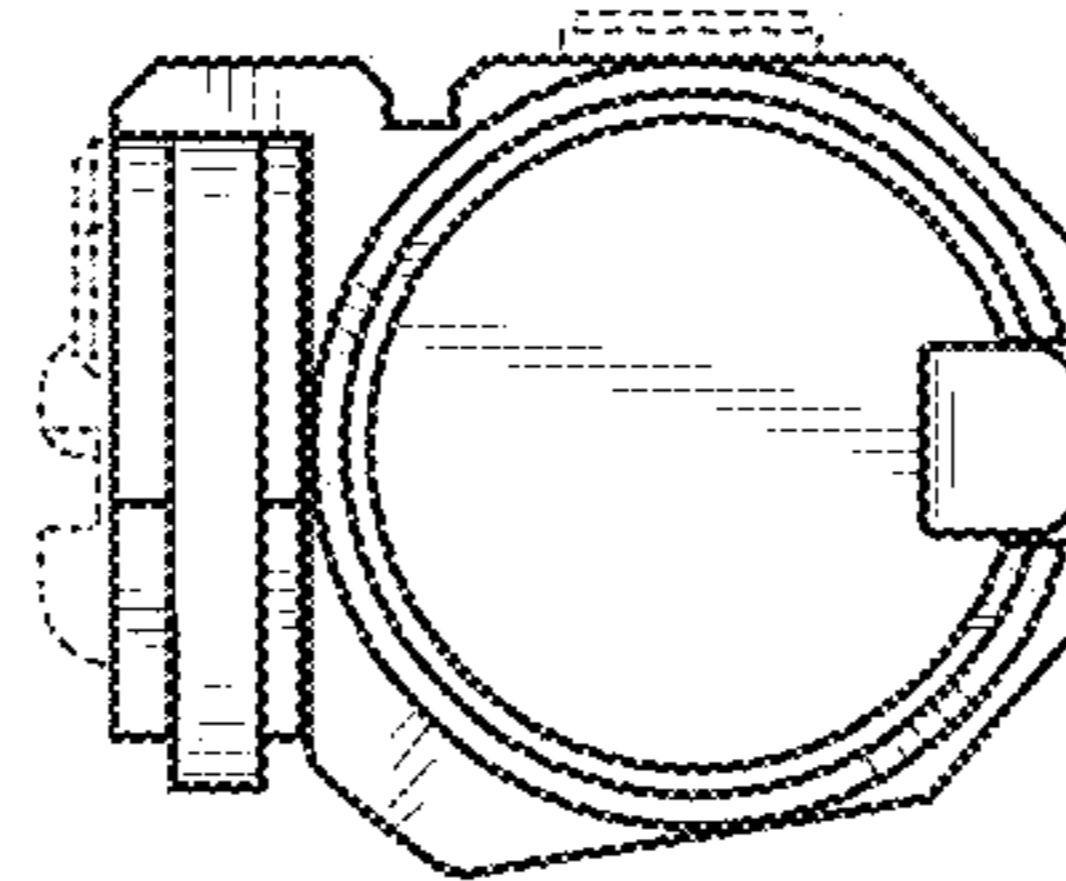


FIG. 5



**FIG. 6**



**FIG. 7**