



US00D874898S

(12) **United States Design Patent** (10) **Patent No.:** **US D874,898 S**  
**Votel et al.** (45) **Date of Patent:** **\*\* Feb. 11, 2020**

(54) **ANCHOR POINT FOR DRILL**  
(71) Applicant: **Tenacious Holdings, Inc.**, St. Paul, MN (US)  
(72) Inventors: **Thomas Votel**, Sunfish Lake, MN (US); **Ian Forte**, Crystal, MN (US); **Nathan Bohmbach**, Lakeville, MN (US); **Paul Goudreau**, Edina, MN (US)  
(73) Assignee: **Tenacious Holdings, Inc.**, St. Paul, MN (US)  
(\*\*) Term: **15 Years**  
(21) Appl. No.: **29/616,693**  
(22) Filed: **Sep. 7, 2017**  
(51) **LOC (12) Cl.** ..... **08-05**  
(52) **U.S. Cl.**  
USPC ..... **D8/70**  
(58) **Field of Classification Search**  
USPC ..... D3/24; D8/1, 2, 8, 9, 14, 16, 19, 24, 25, D8/30, 44, 70, 70.1, 323, 325, 349, 352, D8/354, 356, 360.1, 367, 382, 499; D14/484; D15/66, 72, 78, 139; D6/300, D6/323, 325, 513; D25/121  
CPC ..... B25F 5/00  
See application file for complete search history.

D721,498 S \* 1/2015 Holt ..... D3/318  
D727,651 S \* 4/2015 San Martin ..... D6/513  
D730,719 S \* 6/2015 Sundberg ..... D8/354  
D732,938 S \* 6/2015 Schraufnagel ..... D8/371  
D734,134 S \* 7/2015 Bauerle ..... D8/372

(Continued)

**FOREIGN PATENT DOCUMENTS**

NZ 21033 9/1986

**OTHER PUBLICATIONS**

Belt Hook for Cordless Drill and Impact, posted on amazon.com, first available Sep. 17, 2014, no production date posted, [online], [site visited May 3, 2019], Available from Internet, URL: <https://www.amazon.com/Belt-Hook-Cordless-Drill-Impact/dp/B00L2DQIUM> (Year: 2014).\*

*Primary Examiner* — Michael C Stout  
*Assistant Examiner* — Fritzgerald L Butac  
(74) *Attorney, Agent, or Firm* — Skaar Ulbrich Macari, P.A.

(57) **CLAIM**

The ornamental design for an anchor point for drill, as shown and described.

**DESCRIPTION**

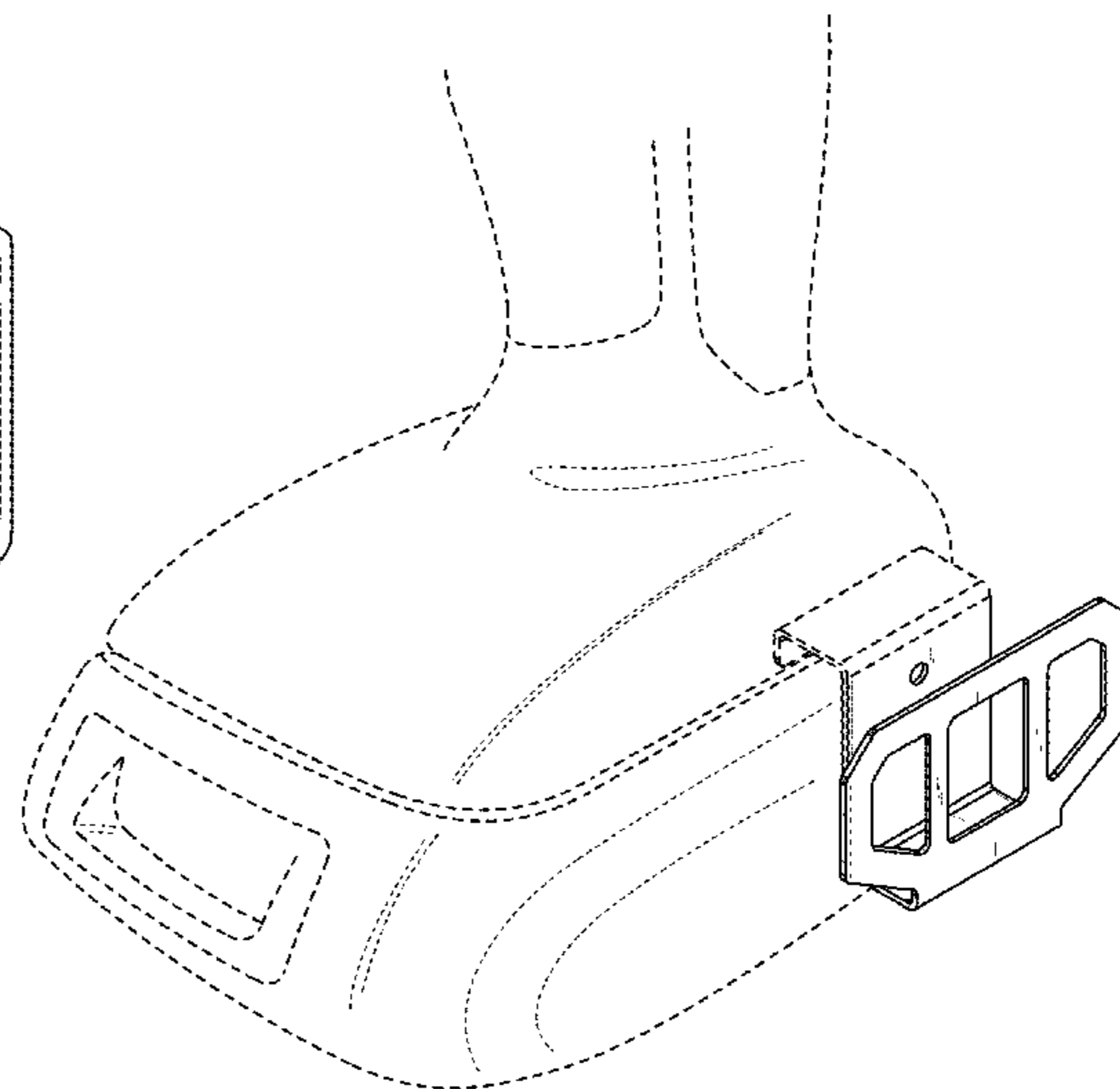
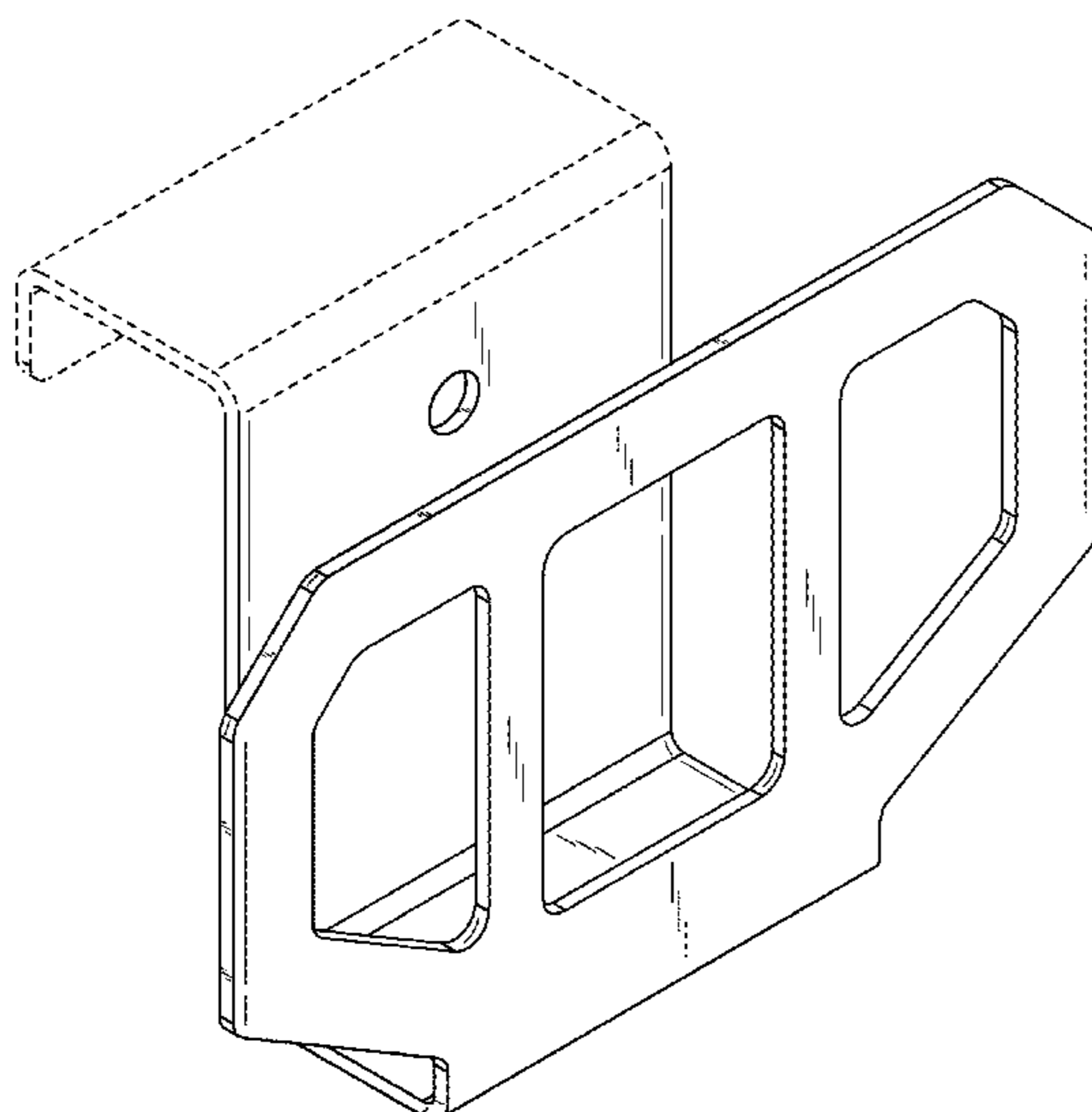
FIG. 1 is a perspective view of an anchor point for drill showing our new design;  
FIG. 2 is a front elevation view thereof;  
FIG. 3 is a rear elevation view thereof;  
FIG. 4 is a left side elevation view thereof;  
FIG. 5 is a right side elevation view thereof;  
FIG. 6 is a top plan view thereof;  
FIG. 7 is a bottom plan view thereof; and,  
FIG. 8 is a perspective view thereof in use.  
The broken lines show portions of an anchor point for a drill that form no part of the claimed design.

**1 Claim, 8 Drawing Sheets**

(56) **References Cited**

**U.S. PATENT DOCUMENTS**

D248,026 S 5/1978 Gostomski  
D308,446 S 6/1990 Henley  
D318,608 S 7/1991 Schenker  
D420,274 S 2/2000 Lappin et al.  
D468,998 S 1/2003 Zadak  
D491,442 S 6/2004 Cordero et al.  
D600,543 S 9/2009 Coles  
D624,805 S 10/2010 Clarke  
D682,079 S \* 5/2013 Chou ..... D8/380  
D705,029 S 5/2014 Gangakhedkar et al.  
D711,213 S \* 8/2014 Schorn ..... D8/373



(56)

**References Cited**

## U.S. PATENT DOCUMENTS

D734,657 S \* 7/2015 Wu ..... D8/373  
D735,564 S 8/2015 Goodman et al.  
D741,222 S \* 10/2015 Pratt ..... D12/42  
D746,666 S \* 1/2016 Veilleux ..... D8/376  
D760,565 S \* 7/2016 Tempelmeier ..... D8/21  
9,540,773 B1 \* 1/2017 Pratt ..... E01B 29/00  
D781,137 S \* 3/2017 Ezra ..... D8/400  
D781,689 S 3/2017 Darby  
D782,290 S 3/2017 Darby  
D803,795 S \* 11/2017 Au ..... D13/180  
D803,796 S \* 11/2017 Au ..... D13/180  
D803,797 S \* 11/2017 Au ..... D13/180  
D819,427 S \* 6/2018 Mercaldi ..... D8/354  
D821,184 S \* 6/2018 Berger ..... D8/367  
D825,319 S \* 8/2018 Zussman ..... D8/381  
D829,082 S \* 9/2018 O'Brien ..... D8/366  
D829,388 S \* 9/2018 Chao ..... D30/144  
D829,534 S \* 10/2018 Kanter ..... D8/354  
D839,721 S \* 2/2019 Downey ..... D8/367  
D841,433 S \* 2/2019 Lardon ..... D8/354  
D845,746 S \* 4/2019 Ningulkar ..... D8/367  
D847,142 S \* 4/2019 Furshman ..... D14/447

\* cited by examiner

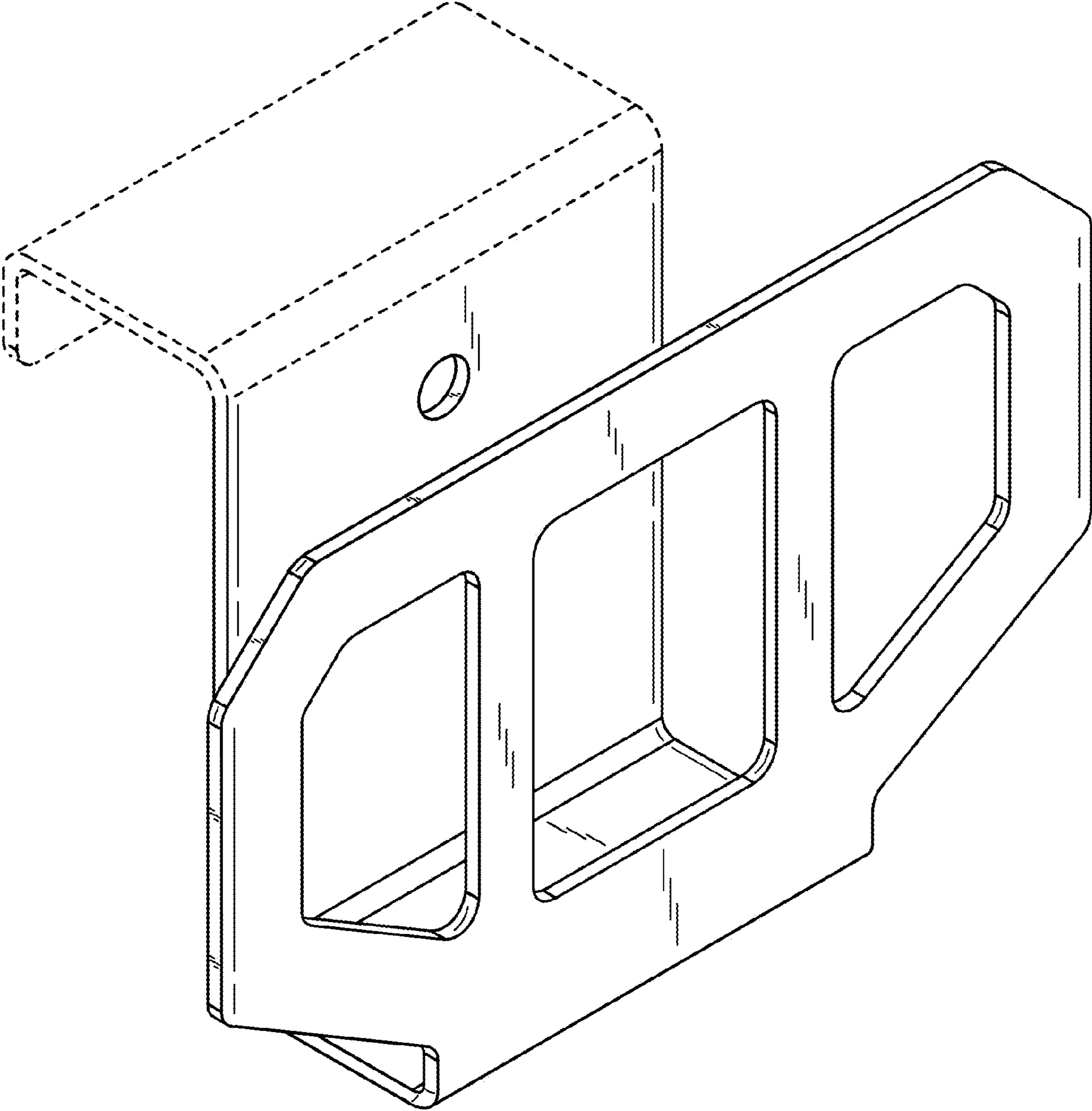


FIG. 1

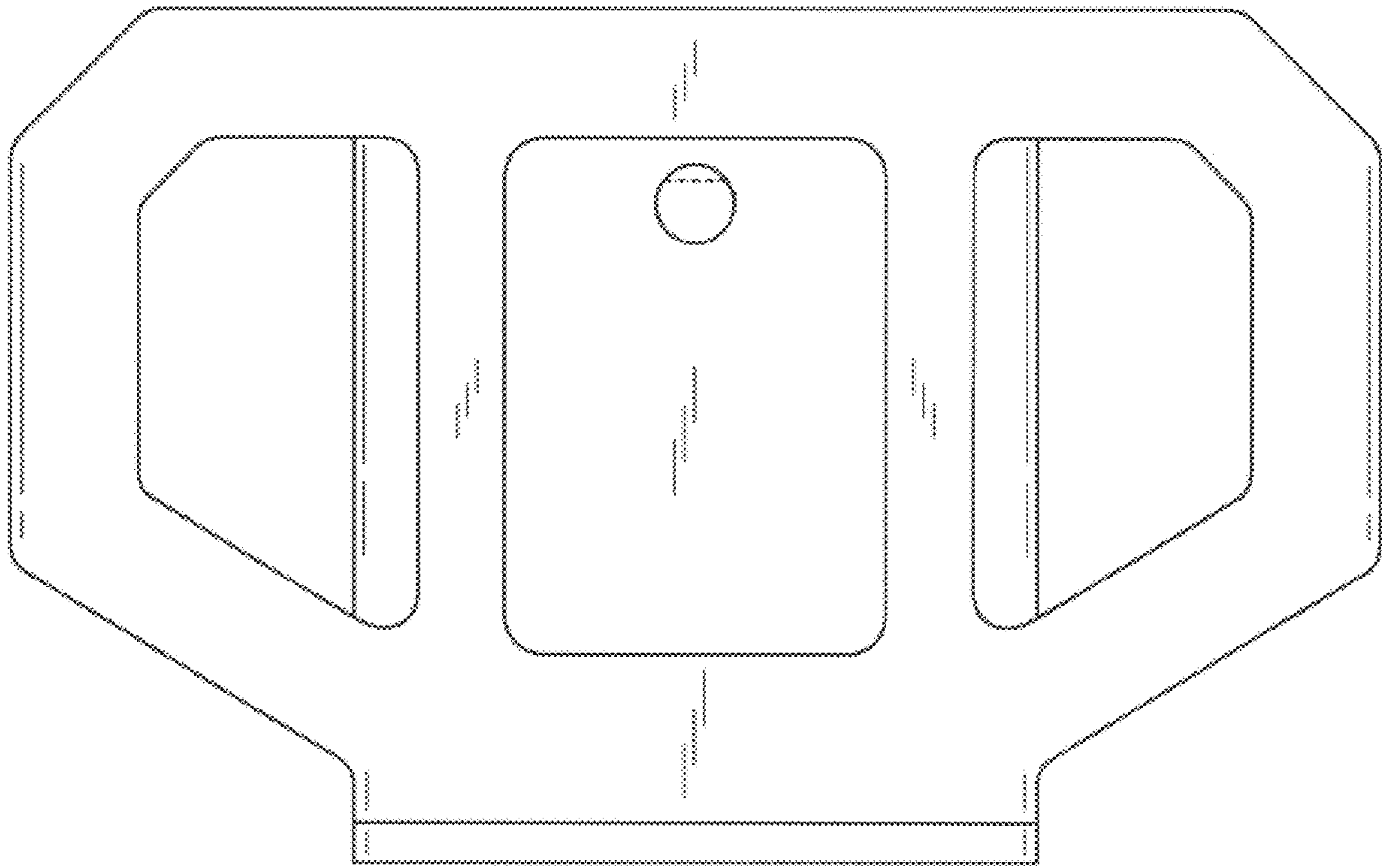


FIG. 2

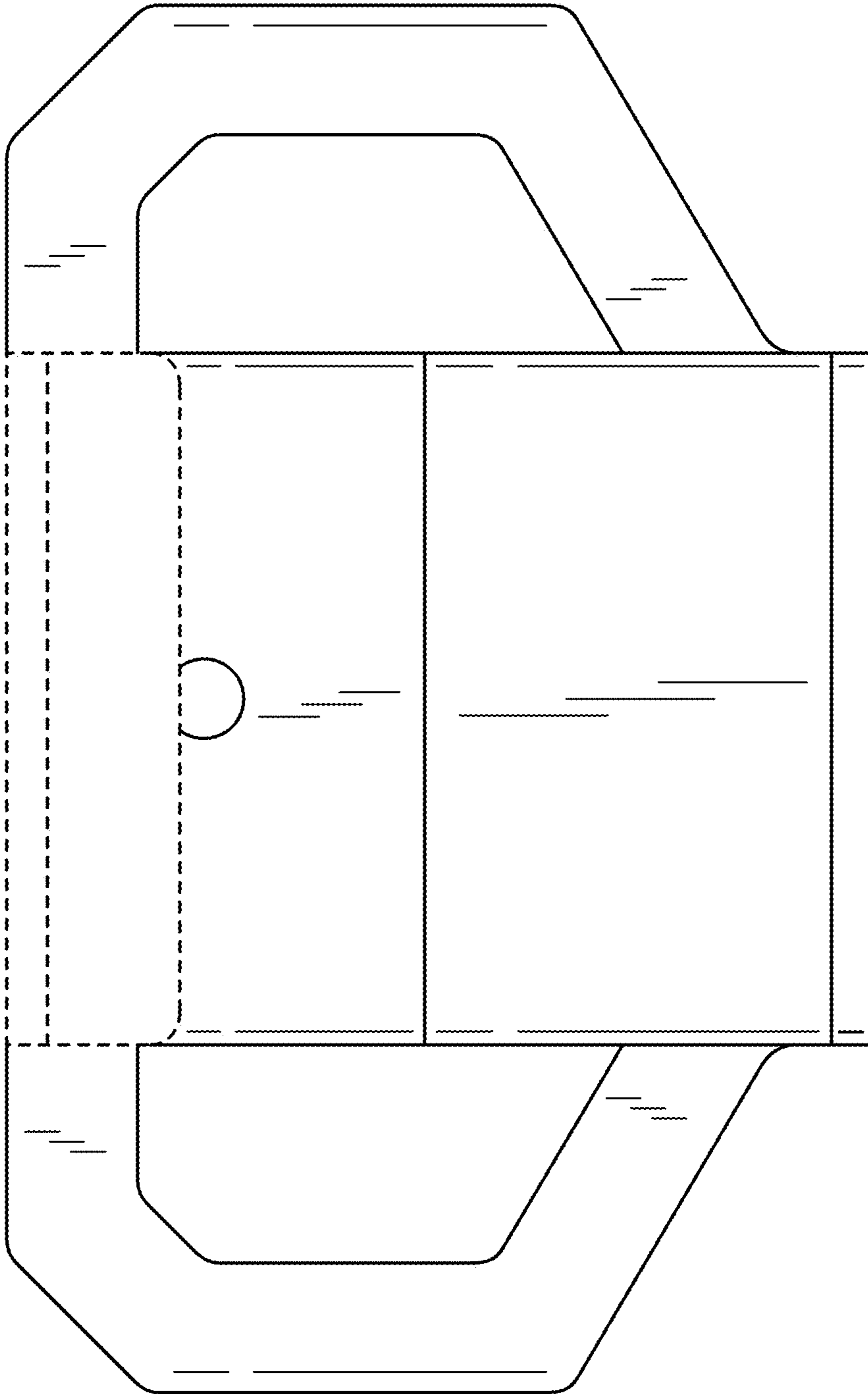


FIG. 3

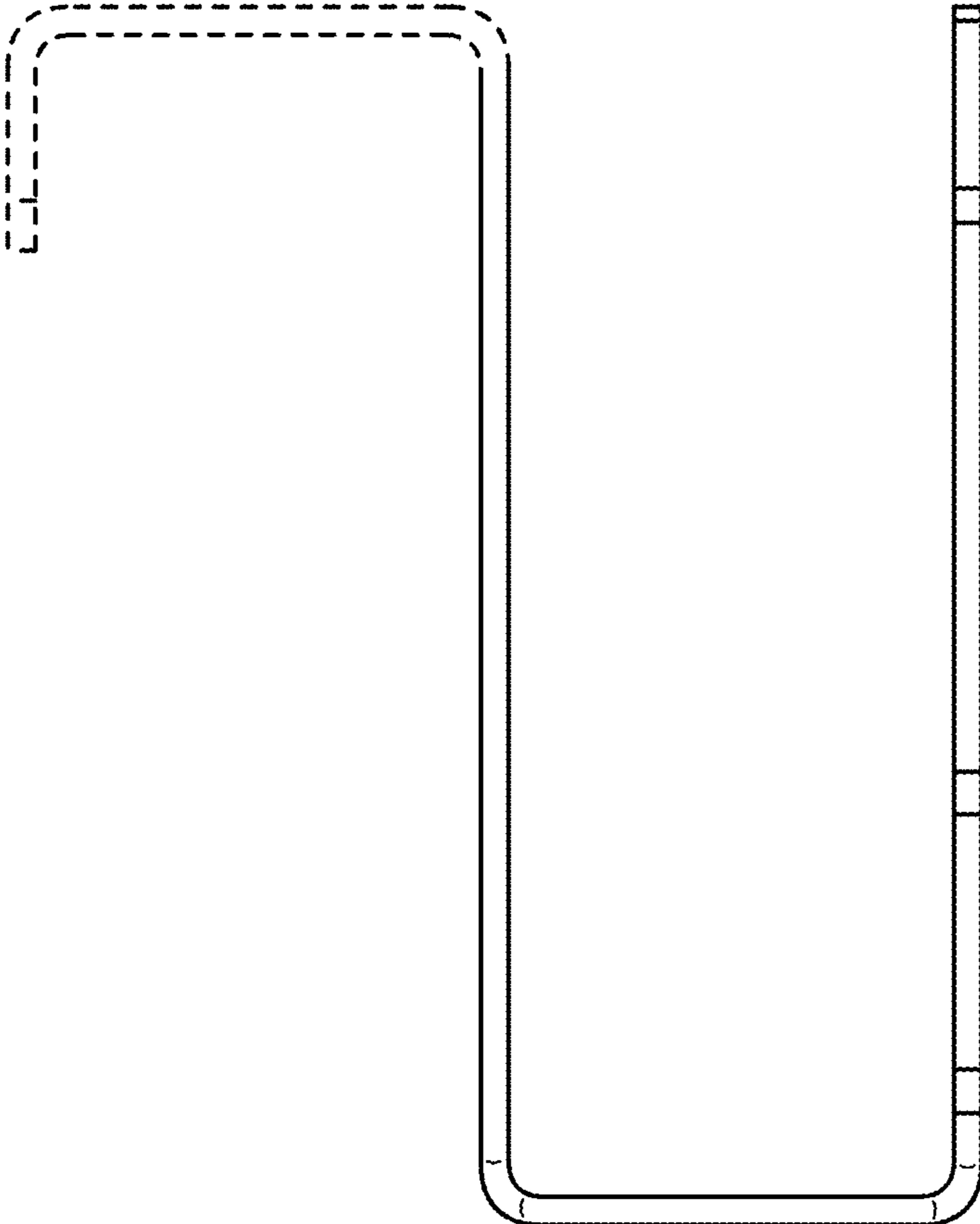


FIG. 4

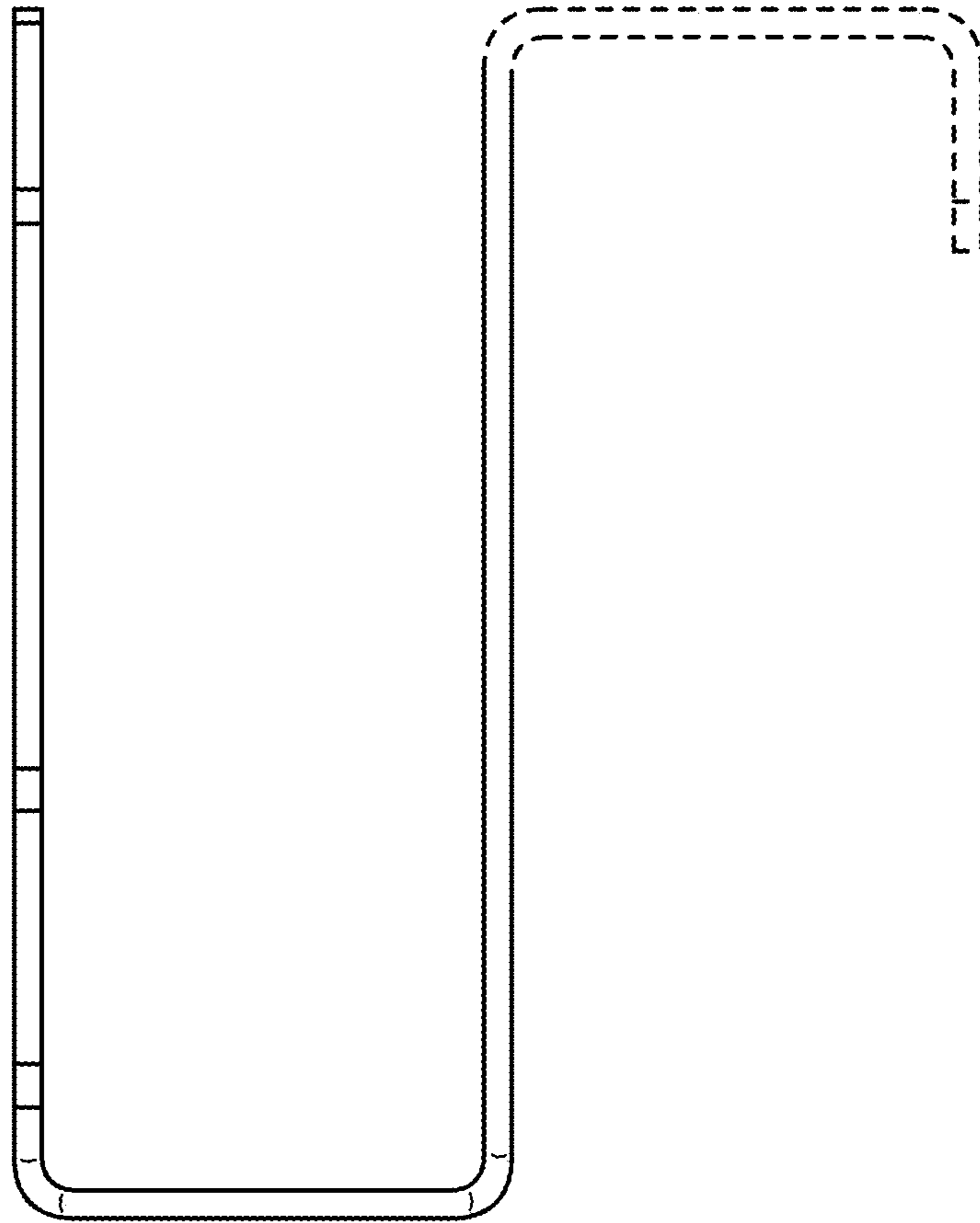


FIG. 5

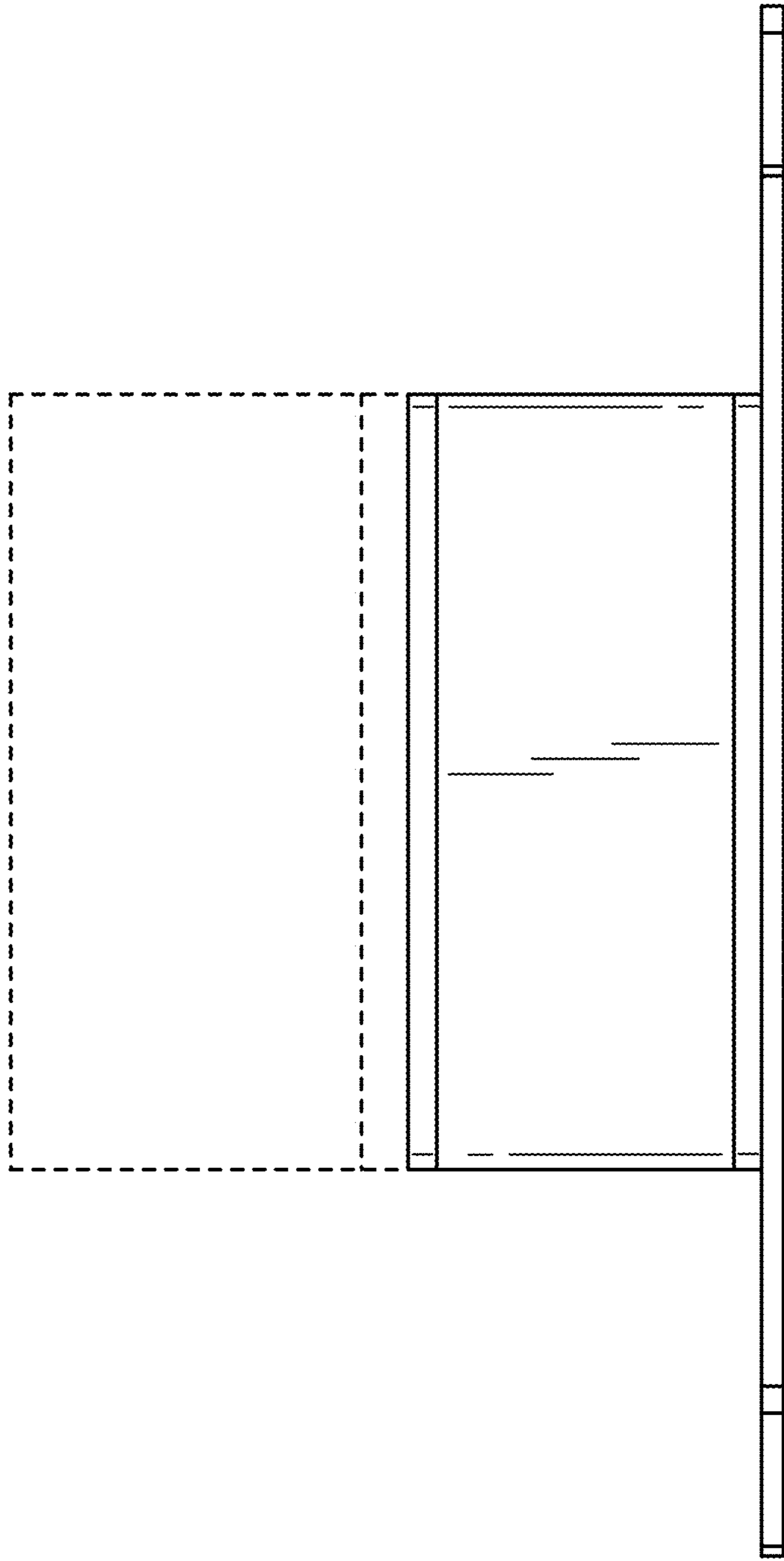


FIG. 6



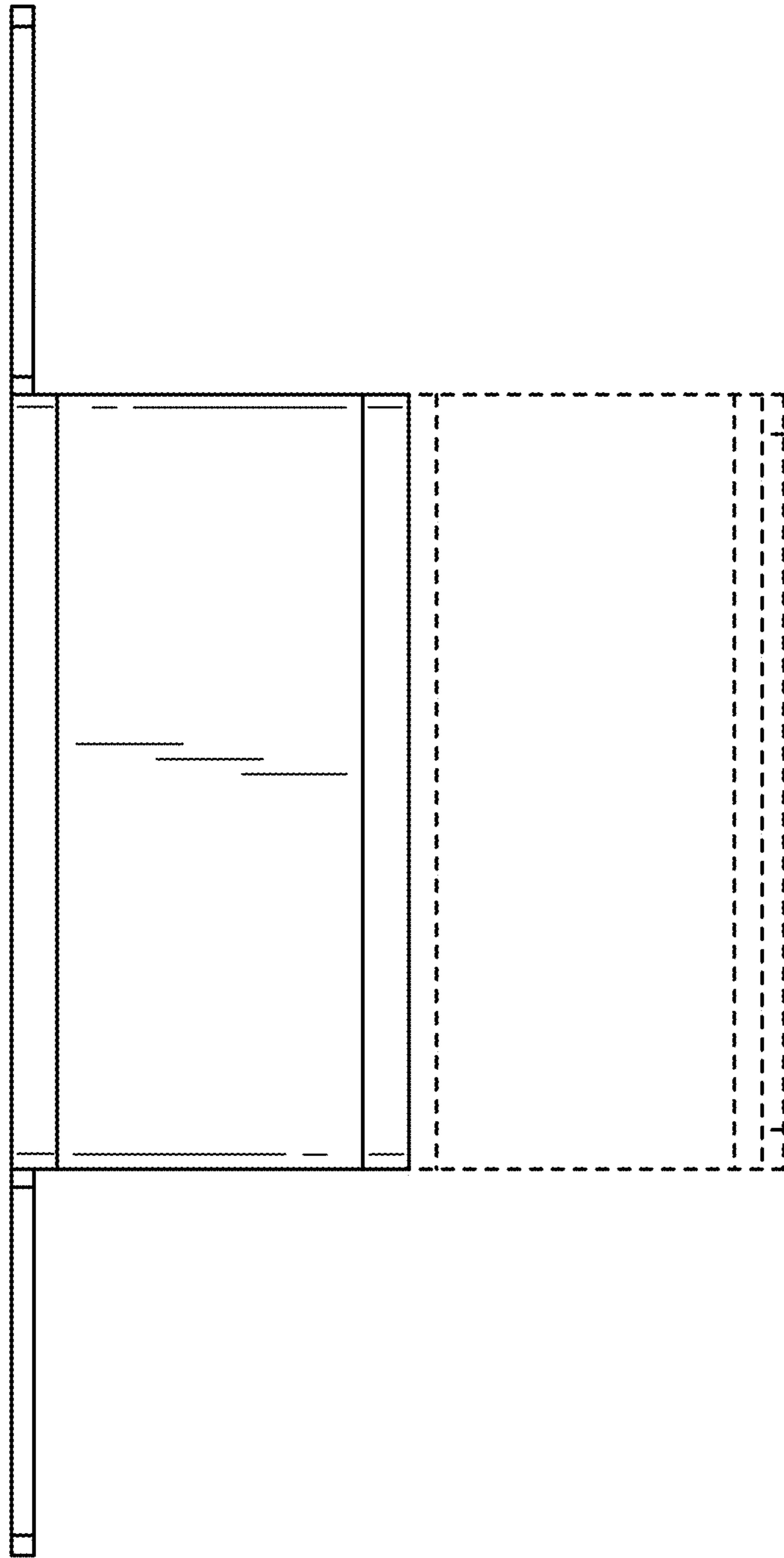


FIG. 7

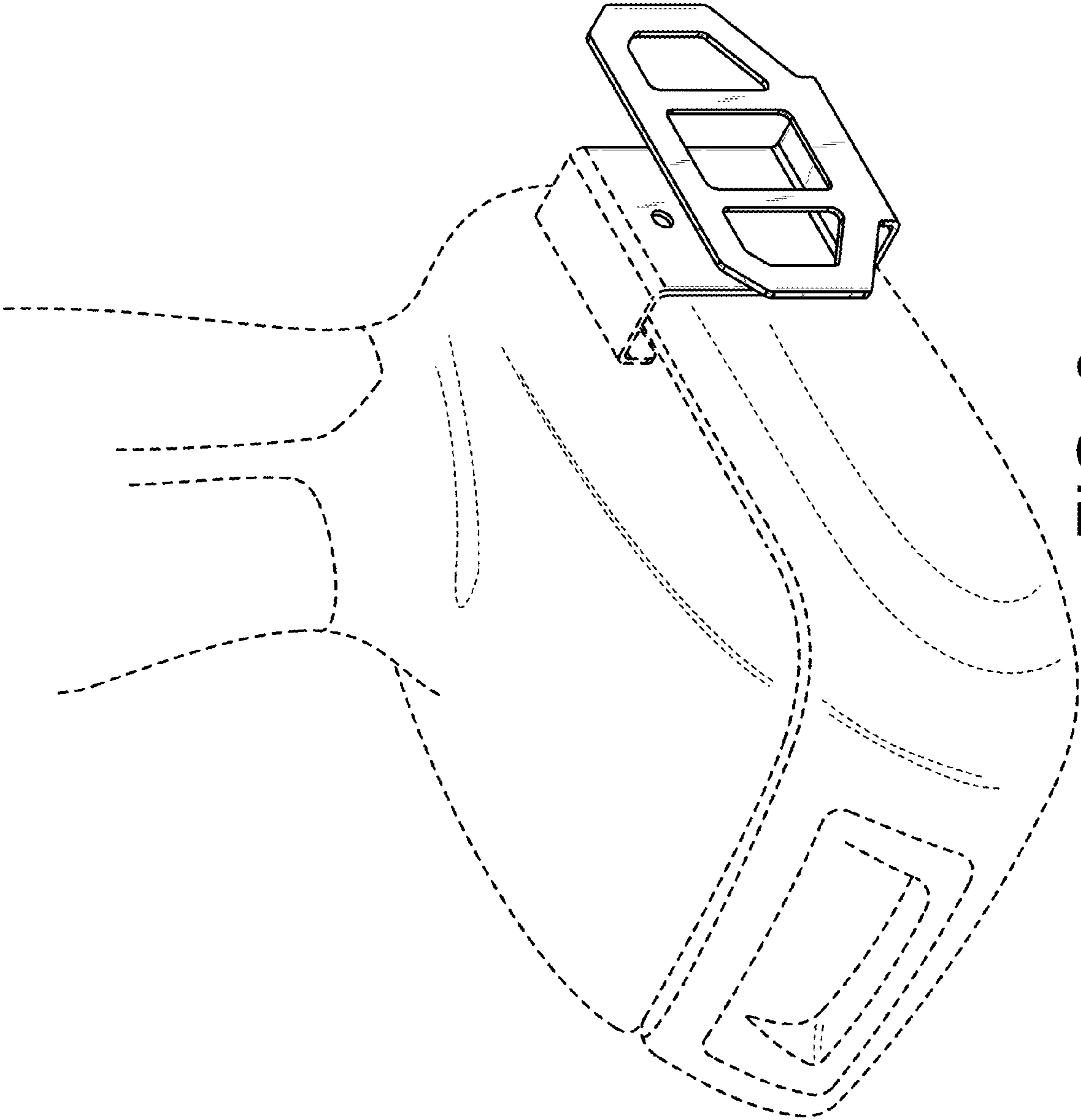


FIG. 8