



US00D874895S

(12) **United States Design Patent**
Hua et al.

(10) **Patent No.:** **US D874,895 S**
(45) **Date of Patent:** **** Feb. 11, 2020**

(54) **PLOW**
(71) Applicant: **CIXI HUAZHJIE PLASTIC PRODUCT CO., LTD.**, Zhejiang (CN)
(72) Inventors: **Jie Hua**, Zhejiang (CN); **Shimin Hua**, Zhejiang (CN)
(73) Assignee: **CIXI HUAZHJIE PLASTIC PRODUCT CO., LTD.**, Zhejiang (CN)
(**) Term: **15 Years**
(21) Appl. No.: **29/672,340**
(22) Filed: **Dec. 5, 2018**

2,508,612 A * 5/1950 Kimbler E01H 5/02
37/284
2,513,230 A * 6/1950 Bourne E01H 5/02
37/284
2,921,798 A * 1/1960 Cislak B62B 1/12
280/47.18
4,214,385 A * 7/1980 Baranowski E01H 5/02
294/181
D305,603 S * 1/1990 Nelson D15/11
D375,882 S * 11/1996 Ritchie D8/10
D378,890 S * 4/1997 Furno D3/10
5,669,163 A * 9/1997 Winter E01H 5/02
37/265
D393,130 S * 3/1998 Murphy D32/41
D407,723 S * 4/1999 Weisman D15/11
D586,192 S * 2/2009 Chesness D8/10
9,187,872 B1 * 11/2015 Hermanson E01H 5/02
D815,153 S * 4/2018 Hua D15/11
2007/0068050 A1 * 3/2007 Flanagan B62B 1/12
37/285

(30) **Foreign Application Priority Data**

Oct. 8, 2018 (CN) 2018 3 0559882

(51) **LOC (12) Cl.** **08-01**

(52) **U.S. Cl.**
USPC **D8/10**

(58) **Field of Classification Search**
USPC D8/6, 7, 10, 107; D21/532
CPC A01B 1/02; A01B 1/022; A01B 1/026;
A01B 1/20; A01B 1/22; A01B 15/02;
B25G 1/00; B25G 1/01; B25G 1/04;
B25G 1/102; E01H 5/02; E01H 5/00;
E01H 5/061; Y10T 16/4713; Y10T
16/476; Y10T 16/473; B62B 1/12
See application file for complete search history.

(56) **References Cited**

U.S. PATENT DOCUMENTS

2,032,487 A * 3/1936 Lloyd E01H 5/02
37/241
2,060,717 A * 11/1936 Bates E01H 5/02
37/284

(Continued)

Primary Examiner — Sandra S Snapp

Assistant Examiner — Ieisha N Price

(74) *Attorney, Agent, or Firm* — JCIPRNET

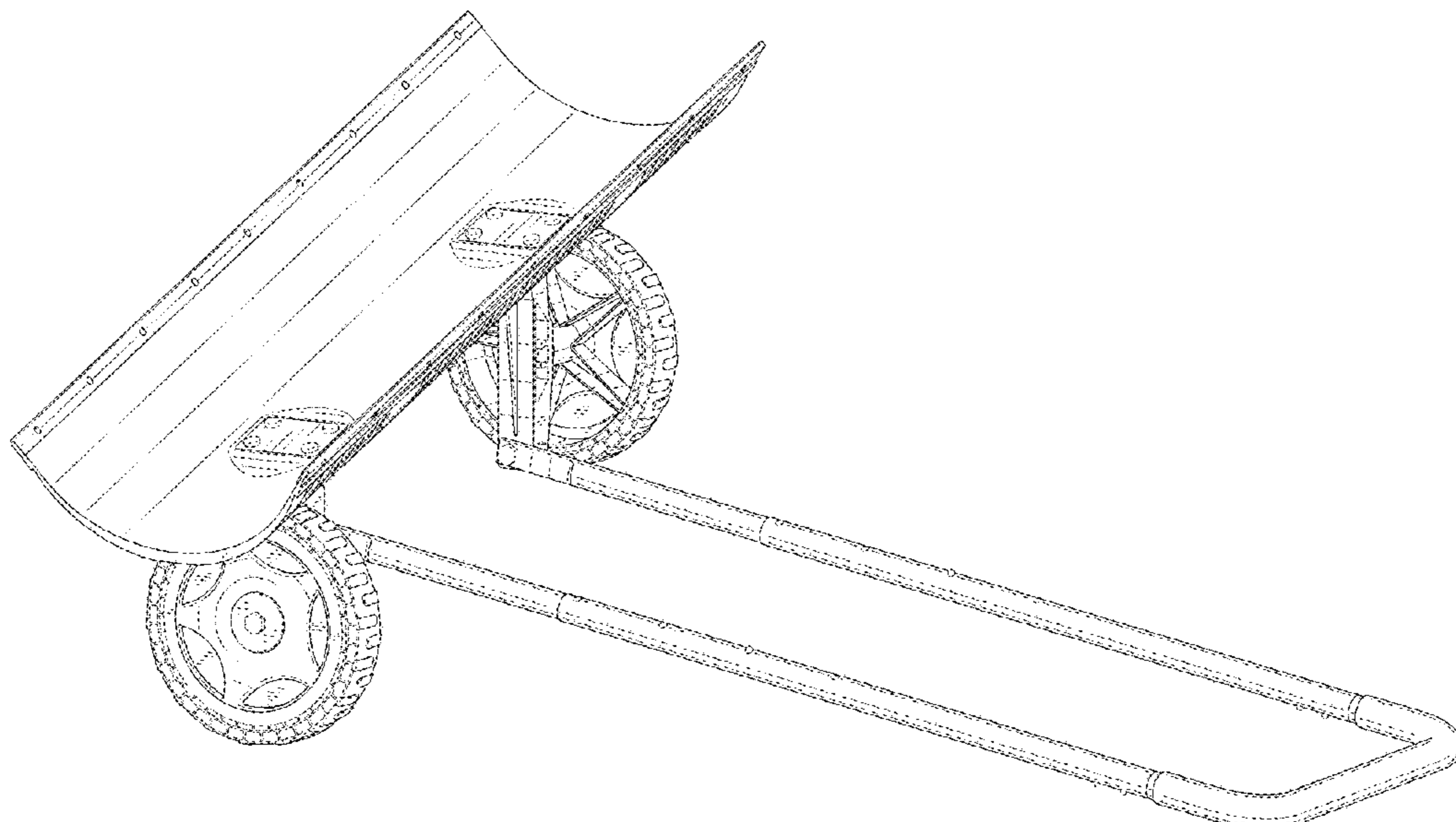
(57) **CLAIM**

The ornamental design for a plow, as shown and described.

DESCRIPTION

FIG. 1 is a perspective view of a plow showing our new design;
FIG. 2 is a front view thereof;
FIG. 3 is a rear view thereof;
FIG. 4 is a left side view thereof;
FIG. 5 is a right side view thereof;
FIG. 6 is a top view thereof;
FIG. 7 is a bottom view thereof; and,
FIG. 8 is another perspective view thereof.
The dashed broken lines illustrate portions of the plow and form no part of the claimed design.

1 Claim, 8 Drawing Sheets



(56)

References Cited

U.S. PATENT DOCUMENTS

2013/0167413 A1* 7/2013 Lewis E01H 5/02
37/278
2015/0027008 A1* 1/2015 Barron E01H 5/061
37/197
2015/0284929 A1* 10/2015 Behan E01H 5/061
172/371
2016/0024733 A1* 1/2016 Hanks E01H 5/061
37/284

* cited by examiner

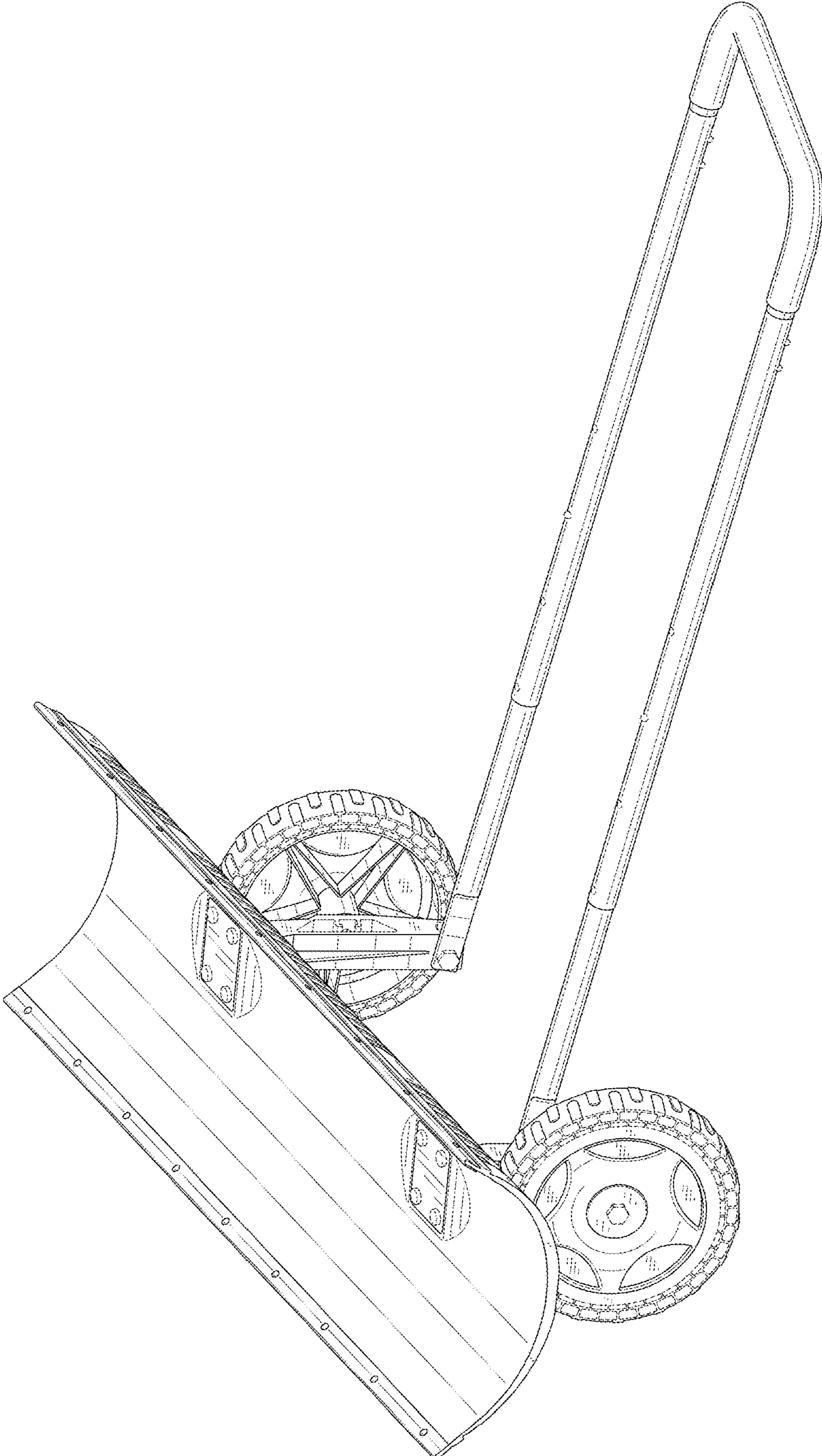


FIG. 1

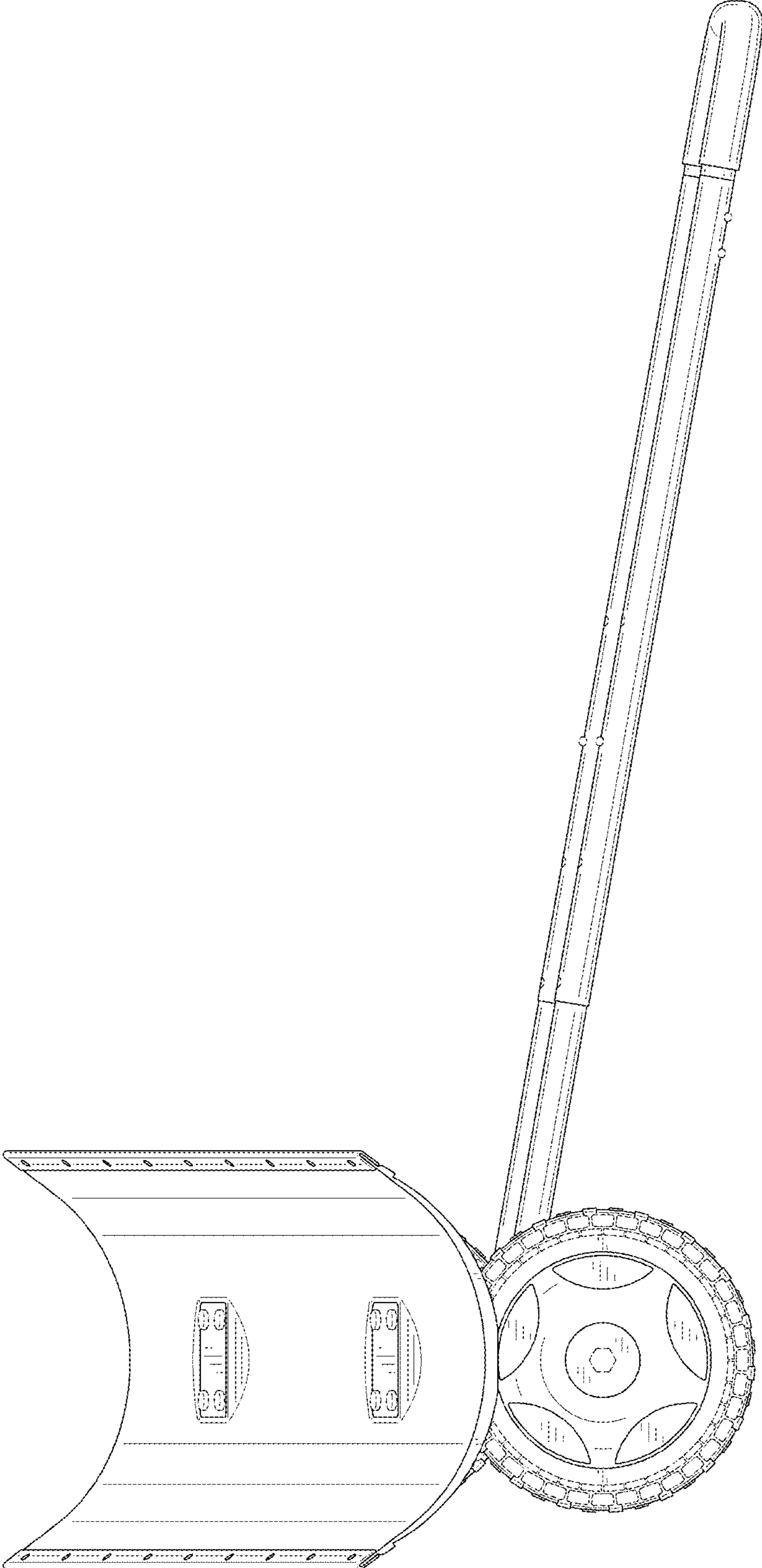


FIG. 2

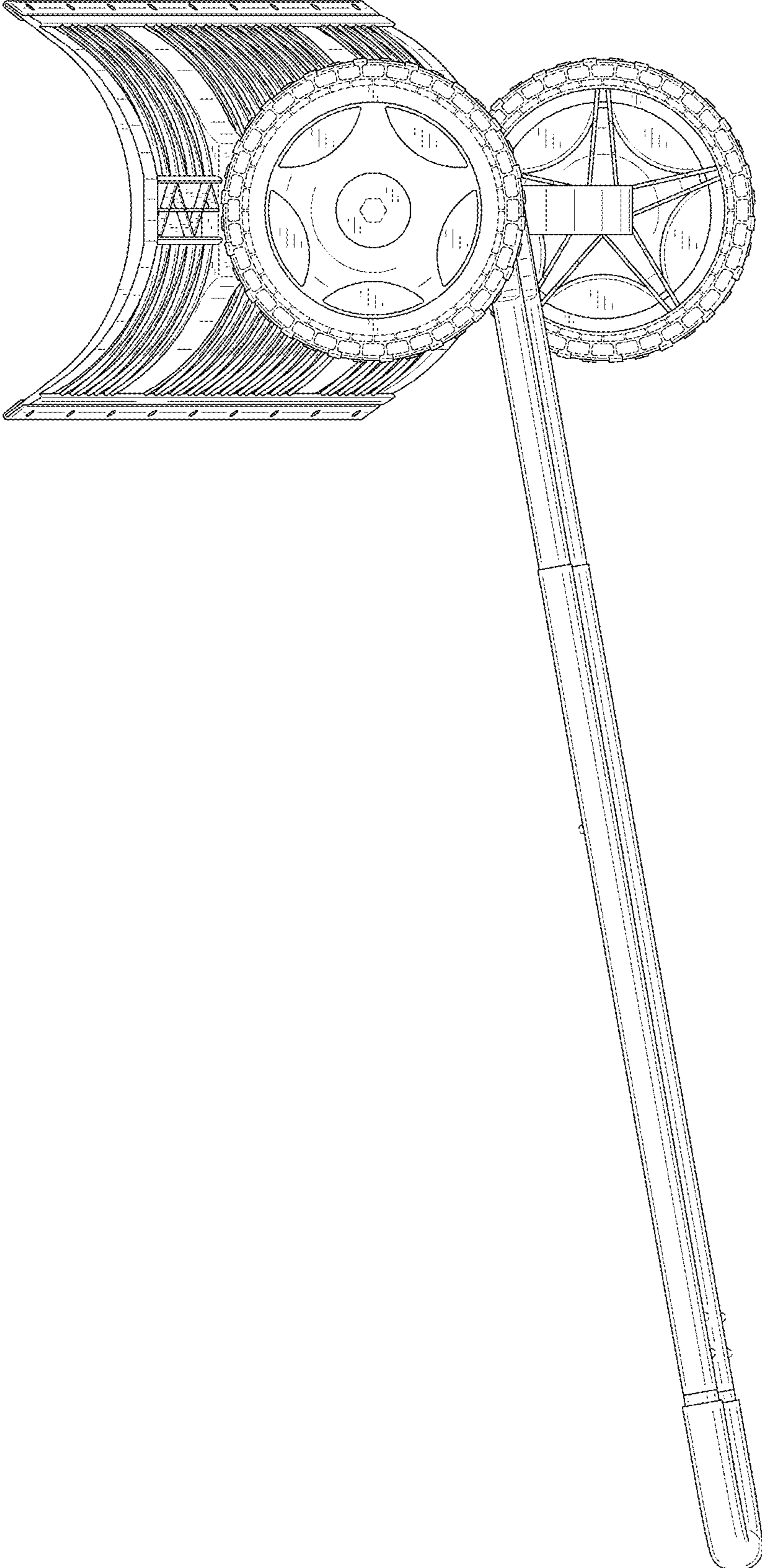


FIG. 3

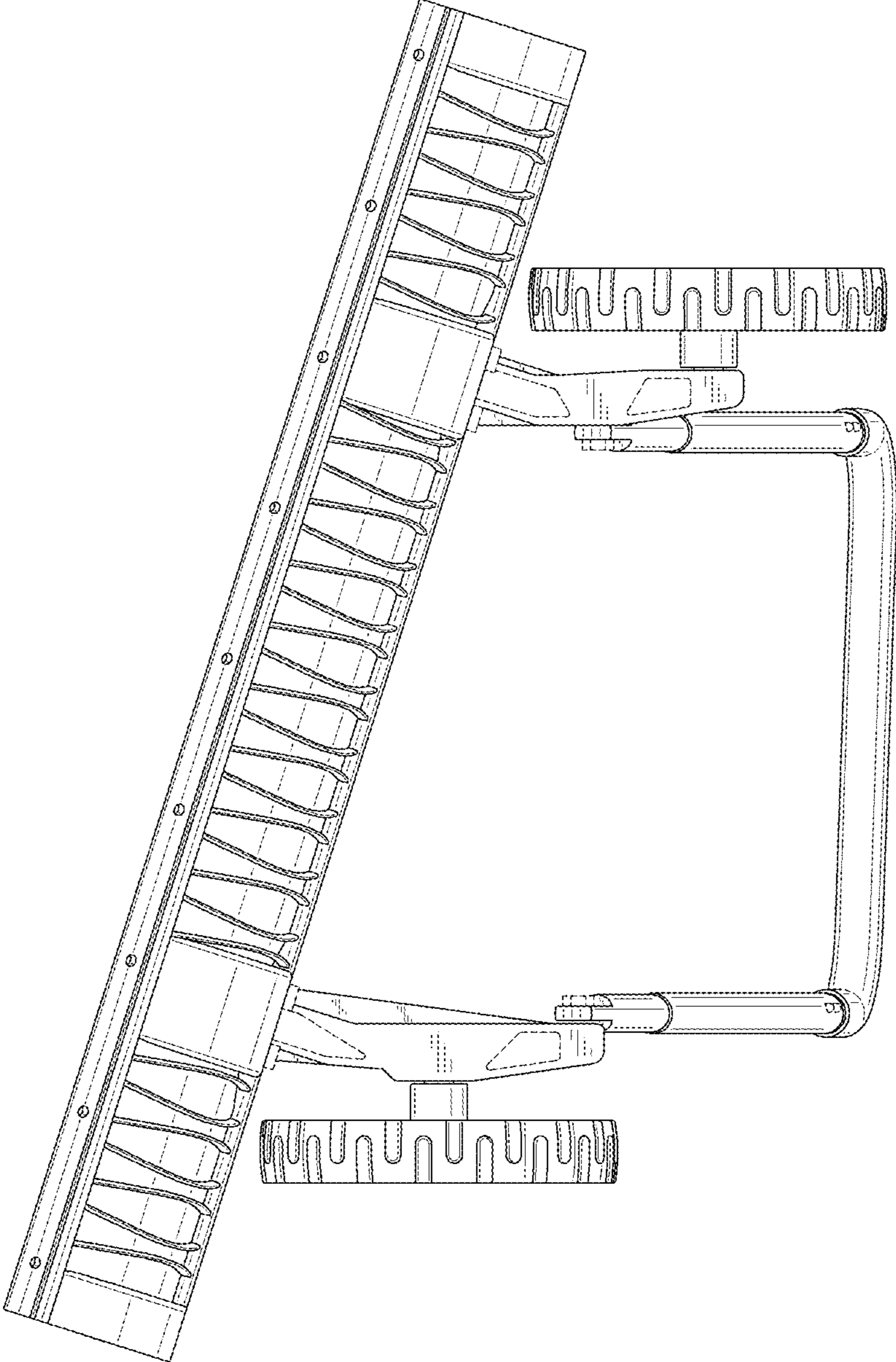


FIG. 4

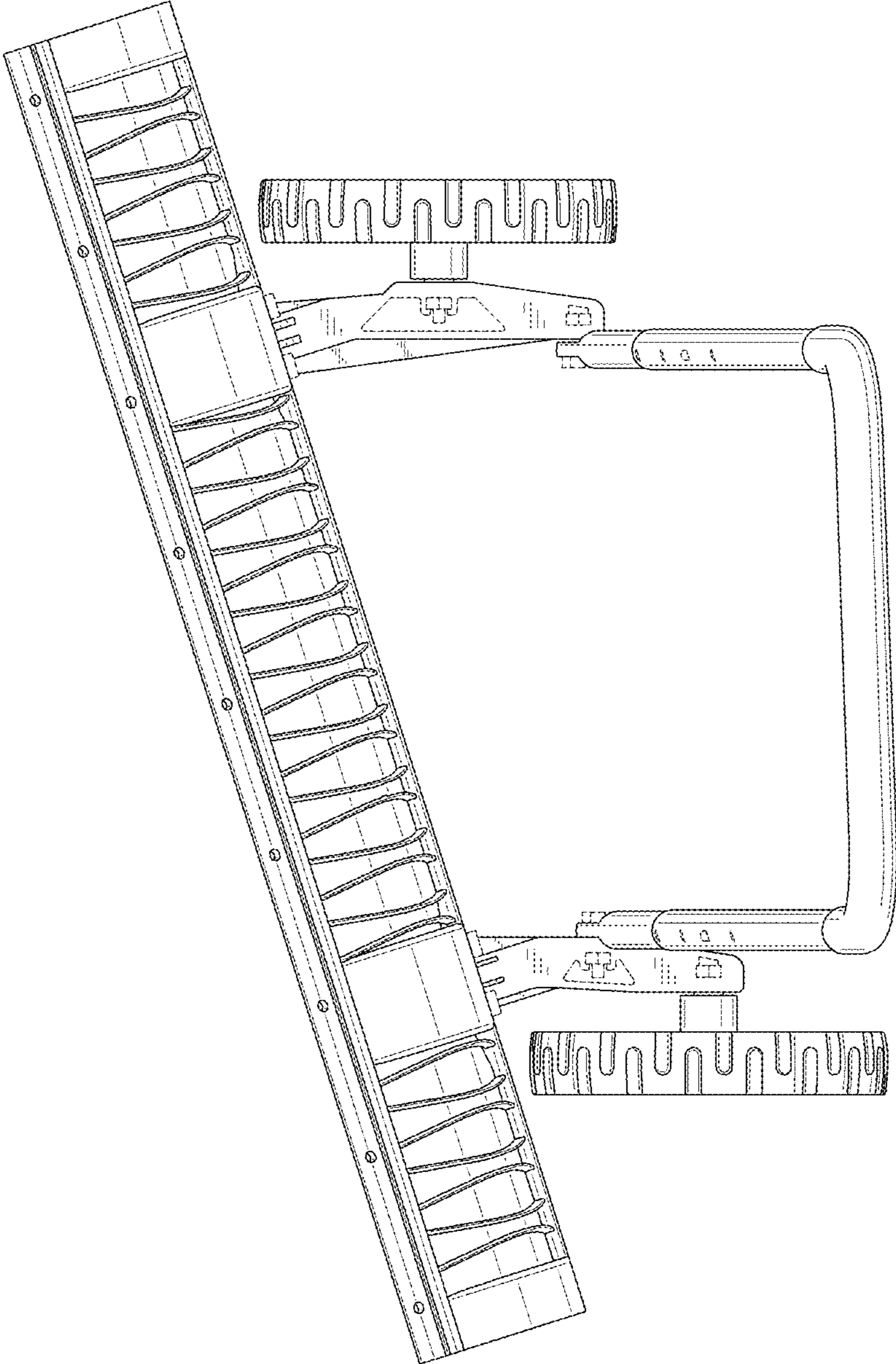


FIG. 5

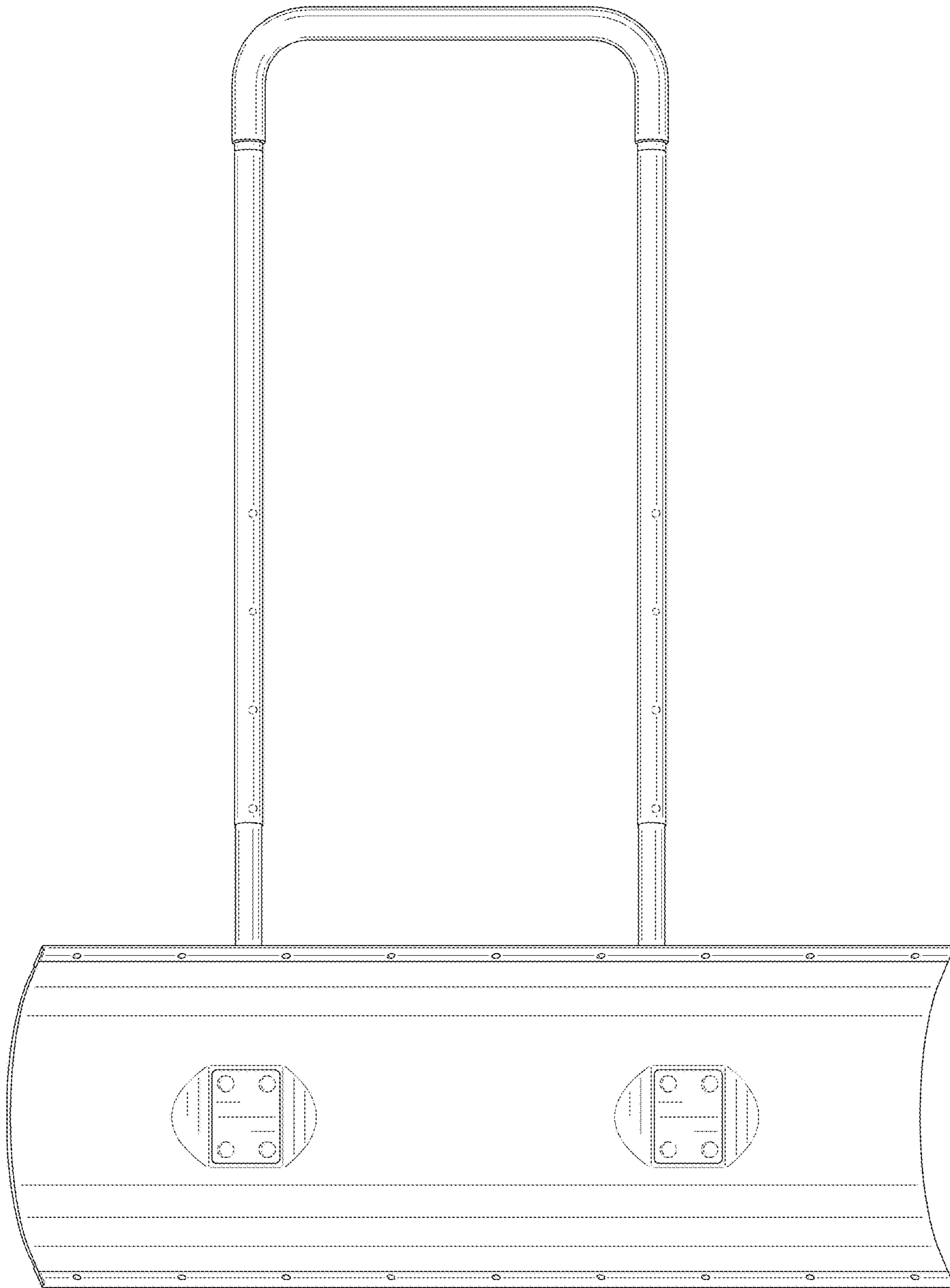


FIG. 6

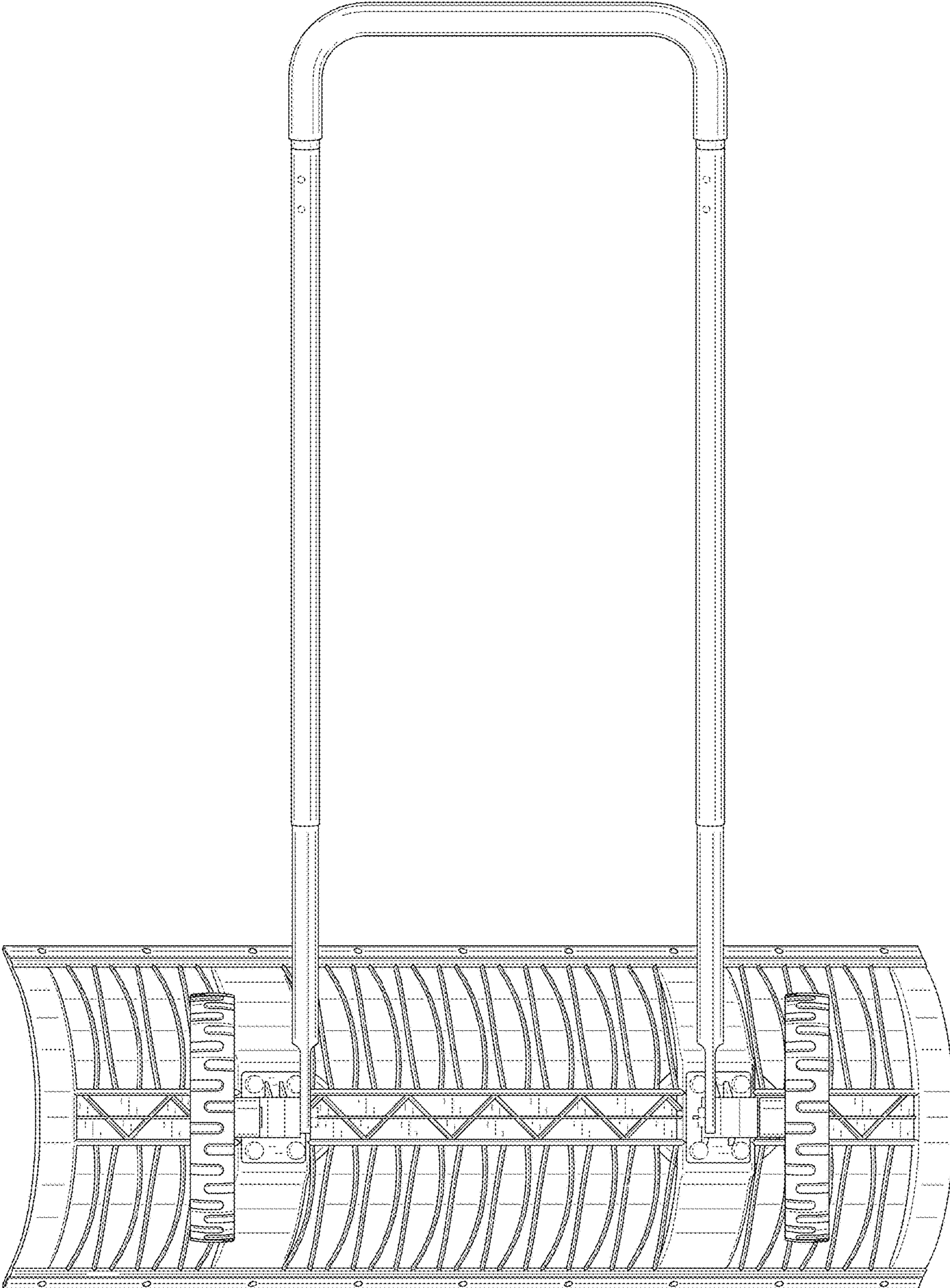


FIG. 7

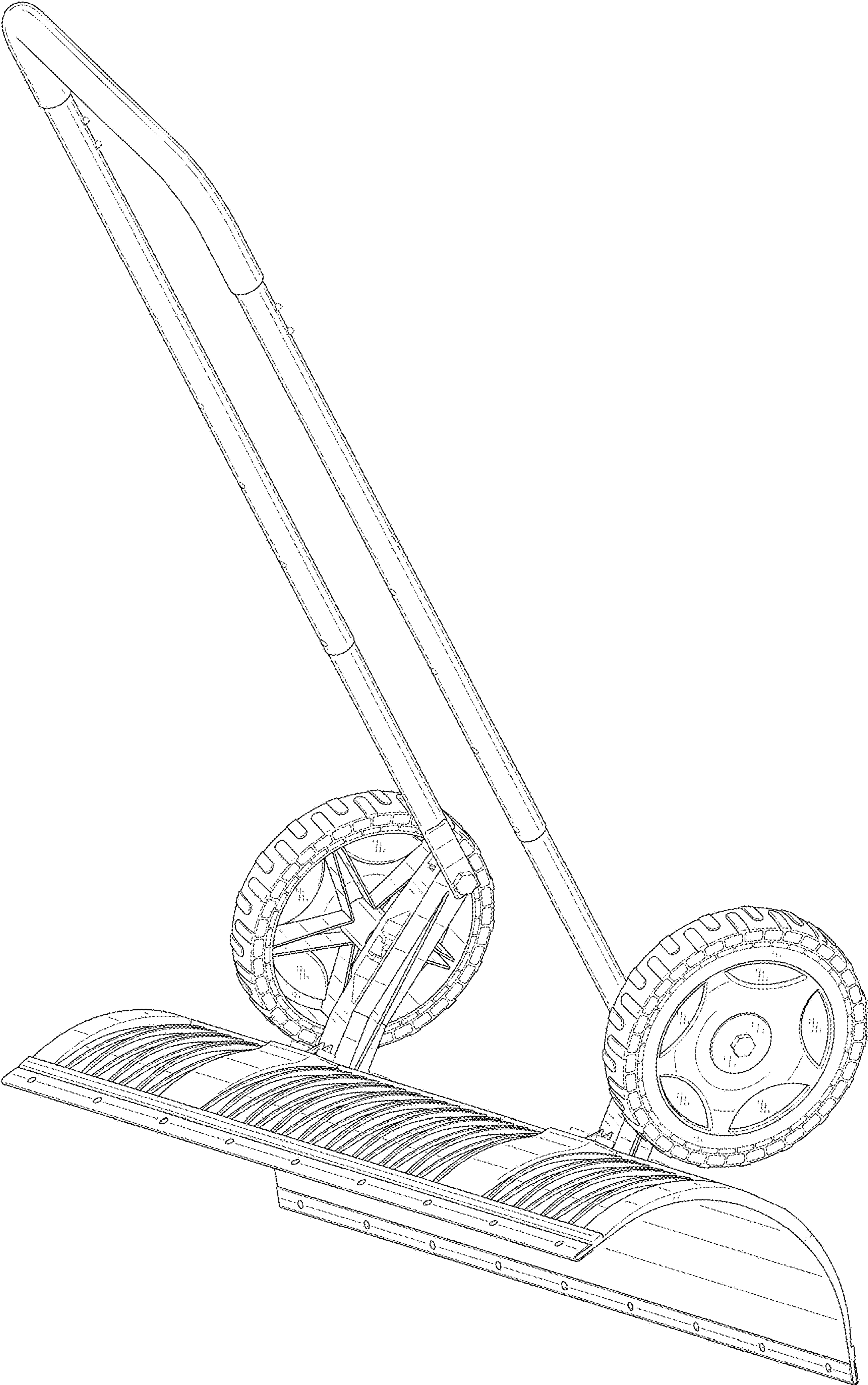


FIG. 8